



THE DATASHEET OF
19200030427



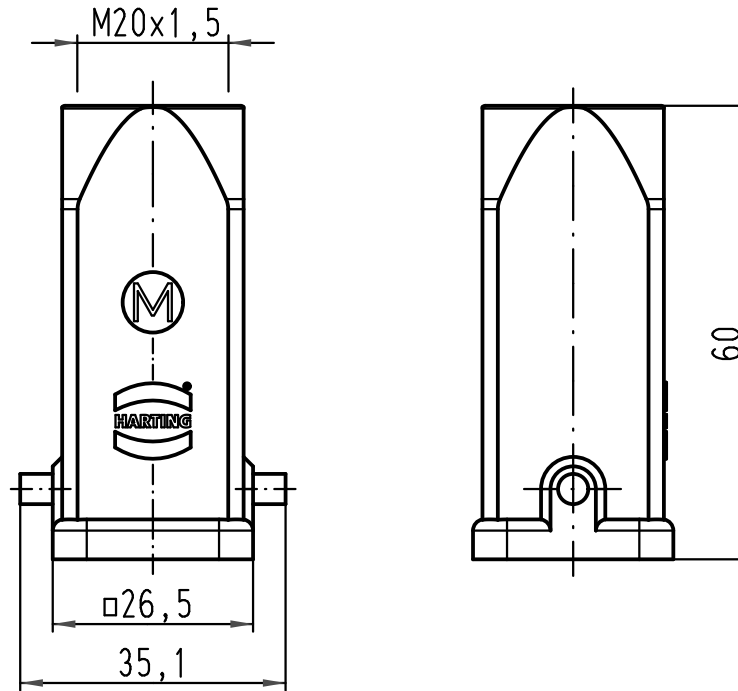
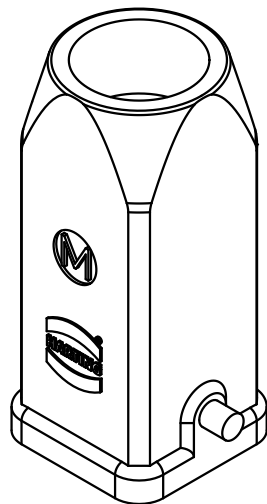
1 2 3 4 5 6

A

B

C

D



		All Dimensions in mm Original Size DIN A 4		Techn. Character.		Nicht tolerierte Maße/ Free size tolerances		
						Maßstab/ Scale 1:1	Han 3A-gg-M20 Gehäuse Kunststoff schwarz hood plastic black	
				Detail.	25.10.10			Ho
				Insp.				Be
				Stand.				
A				HARTING Electric GmbH & Co. KG D-32339 Espelkamp			TB 19 20 003 0427 Sub. TB 19 20 003 0427 v. 29.08.02	
Mod.				Dat.				Name

Looking for pricing, stock, or lifecycle information?

Click below to explore more details on WIN SOURCE:

 [View 19200030427](#) on WIN SOURCE

 [HARTING](#) Information

Optimize Your Supply Chain with WIN SOURCE Solutions

-  Global Sourcing Solution
-  Obsolete Management
-  Cost Control Management
-  Shortage Management
-  Alternative Solution
-  Excess Inventory Management