



THE DATASHEET OF
19120005157



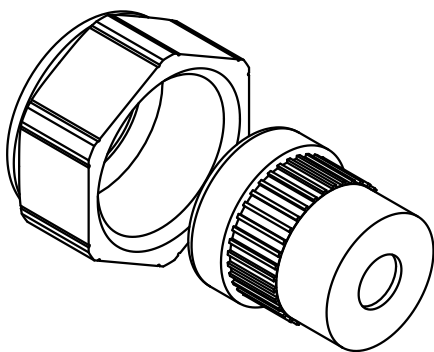
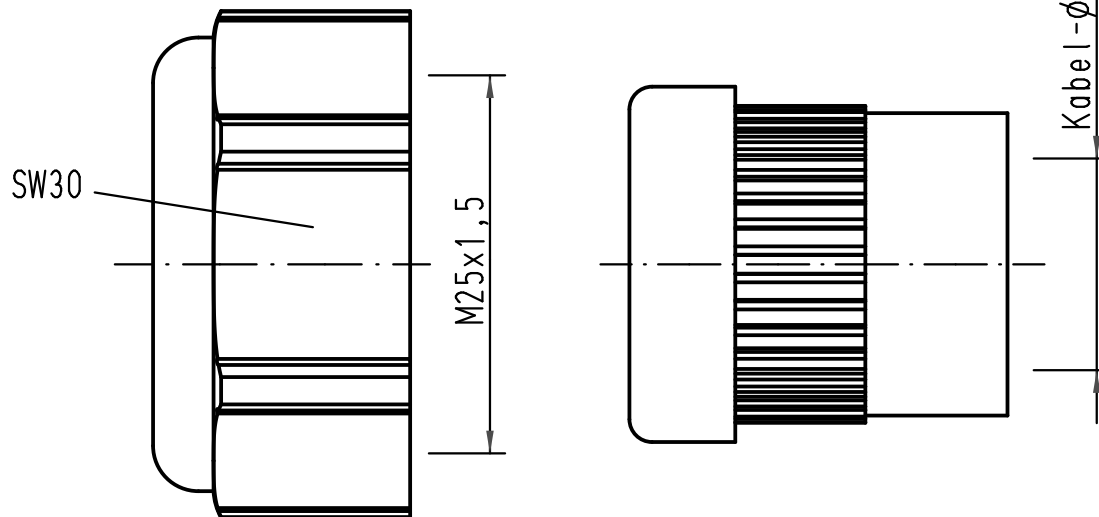
1 2 3 4 5 6

A

B

C

D



Für Tüllen- und Kupplungsgehäuse - Kunststoff
for hoods and cable to cable hoods - plastic

All Dimensions in mm Original Size DIN A 4		Techn. Character.			Nicht tolerierte Maß/Free size tolerances		
			Dat.	Name	Maßstab/Scale 2:1	Han-Compact Halbverschraubung M25 <i>half cable protection M25</i>	
			Detail.	23.10.08			Bor
			Insp.				Be
			Stand.				
B	08.02.10	Ho	HARTING Electric GmbH & Co. KG			TB 19 12 000 5157	
A			D-32339 Espelkamp				Blatt/page
Mod.	Dat.	Name				Sub. TB 19 12 000 5157 v. 29.01.07	

Looking for pricing, stock, or lifecycle information?

Click below to explore more details on WIN SOURCE:

 [View 19120005157 on WIN SOURCE](#)

 [HARTING](#) Information

Optimize Your Supply Chain with WIN SOURCE Solutions

-  Global Sourcing Solution
-  Obsolete Management
-  Cost Control Management
-  Shortage Management
-  Alternative Solution
-  Excess Inventory Management