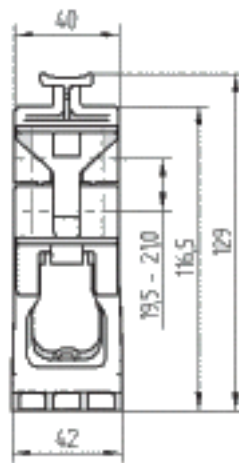
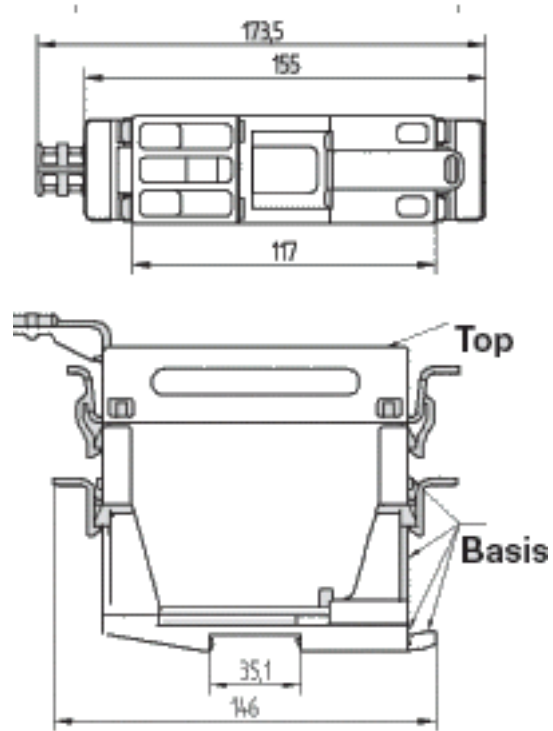




THE DATASHEET OF
1797530000





General ordering data

Order No.	1797530000
Part designation	HDC RailMate HB24 Set
Version	HDC terminal rail mounting system, Terminal rail mounting system
EAN	4032248239207
Qty.	1 pc(s).

General data

Colour	beige
Hilfsmerkmal	HDC RailMate HB24 Set

Approvals

Approvals institutes	n.a.
----------------------	------

Classifications



eClass 4.1	27-14-08-05
eClass 5.0	27-14-34-19
eClass 5.1	27-14-34-19

Similar products

Order No.	Part designation	Version
1797510000	HDC RailMate HB 10 Set	HDC terminal rail mounting system, Terminal rail mounting system
1797520000	HDC RailMate HB16 Set	HDC terminal rail mounting system, Terminal rail mounting system
1797500000	HDC RailMate HB6 Set	HDC terminal rail mounting system, Terminal rail mounting system

Looking for pricing, stock, or lifecycle information?

Click below to explore more details on WIN SOURCE:

-  [View 1797530000 on WIN SOURCE](#)
-  [Weidmuller Information](#)

Optimize Your Supply Chain with WIN SOURCE Solutions

-  Global Sourcing Solution
-  Obsolete Management
-  Cost Control Management
-  Shortage Management
-  Alternative Solution
-  Excess Inventory Management