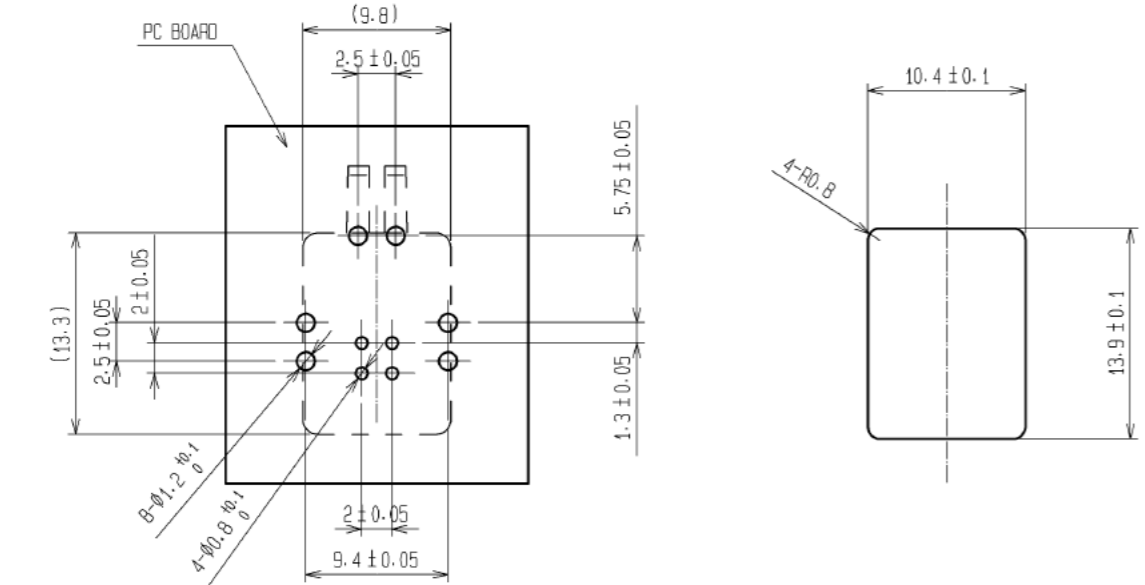
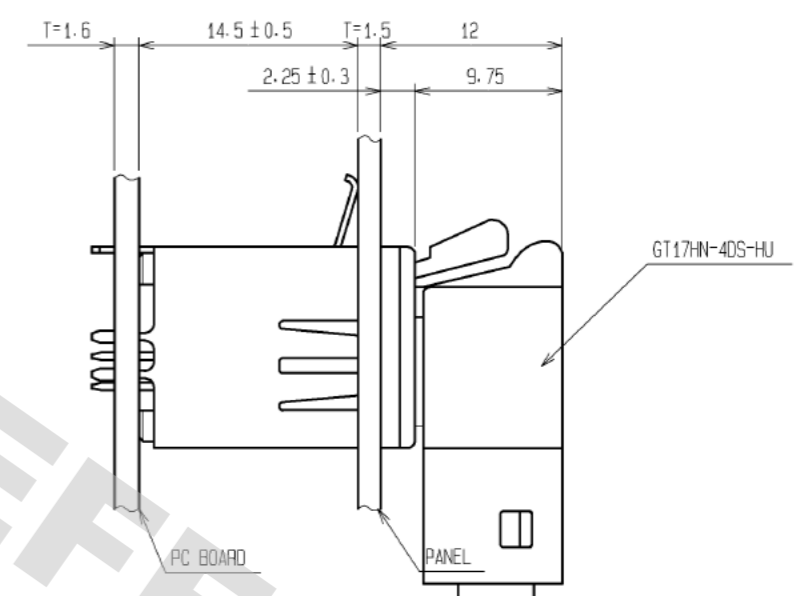
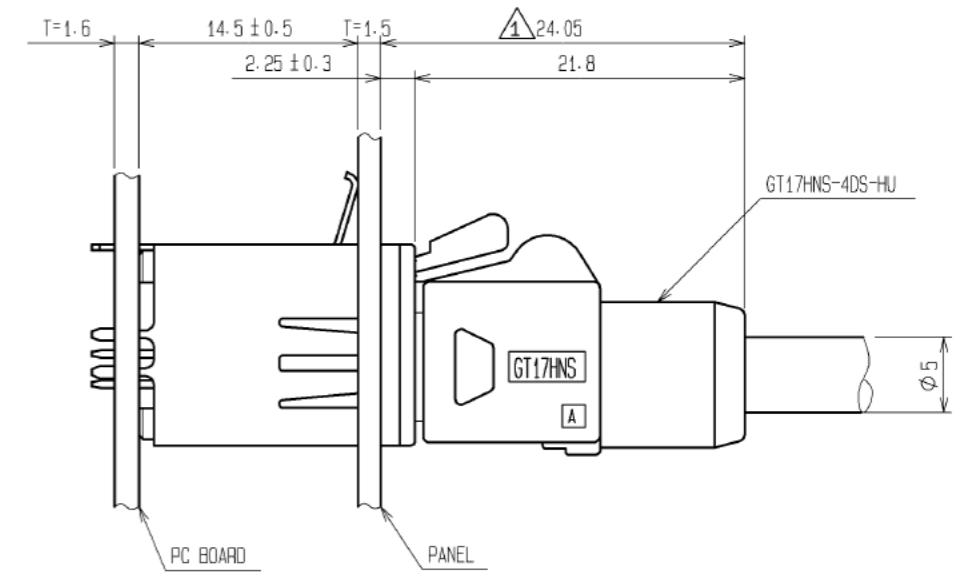
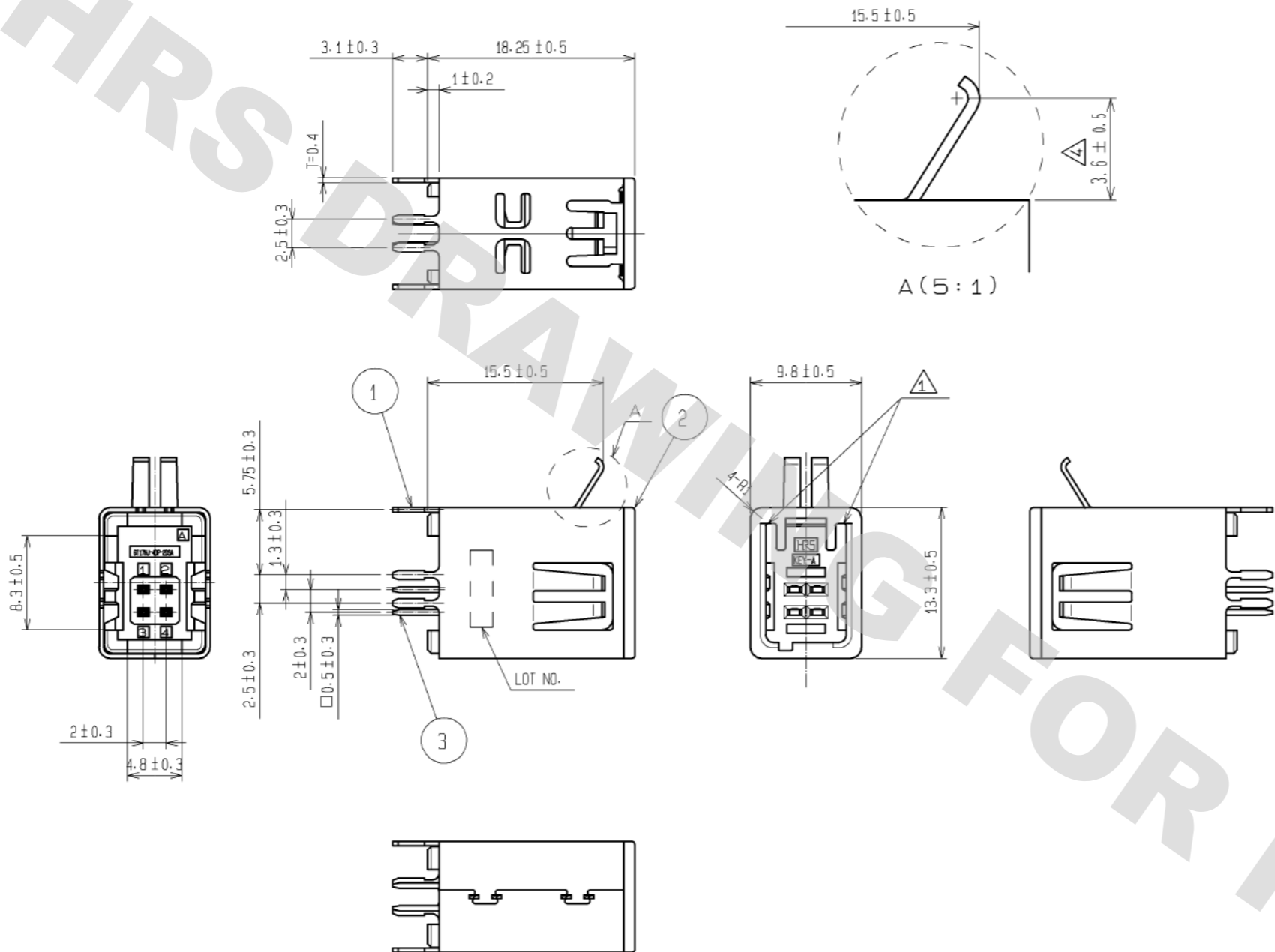




**THE DATASHEET OF
GT17HJ-4DP-2DSA**



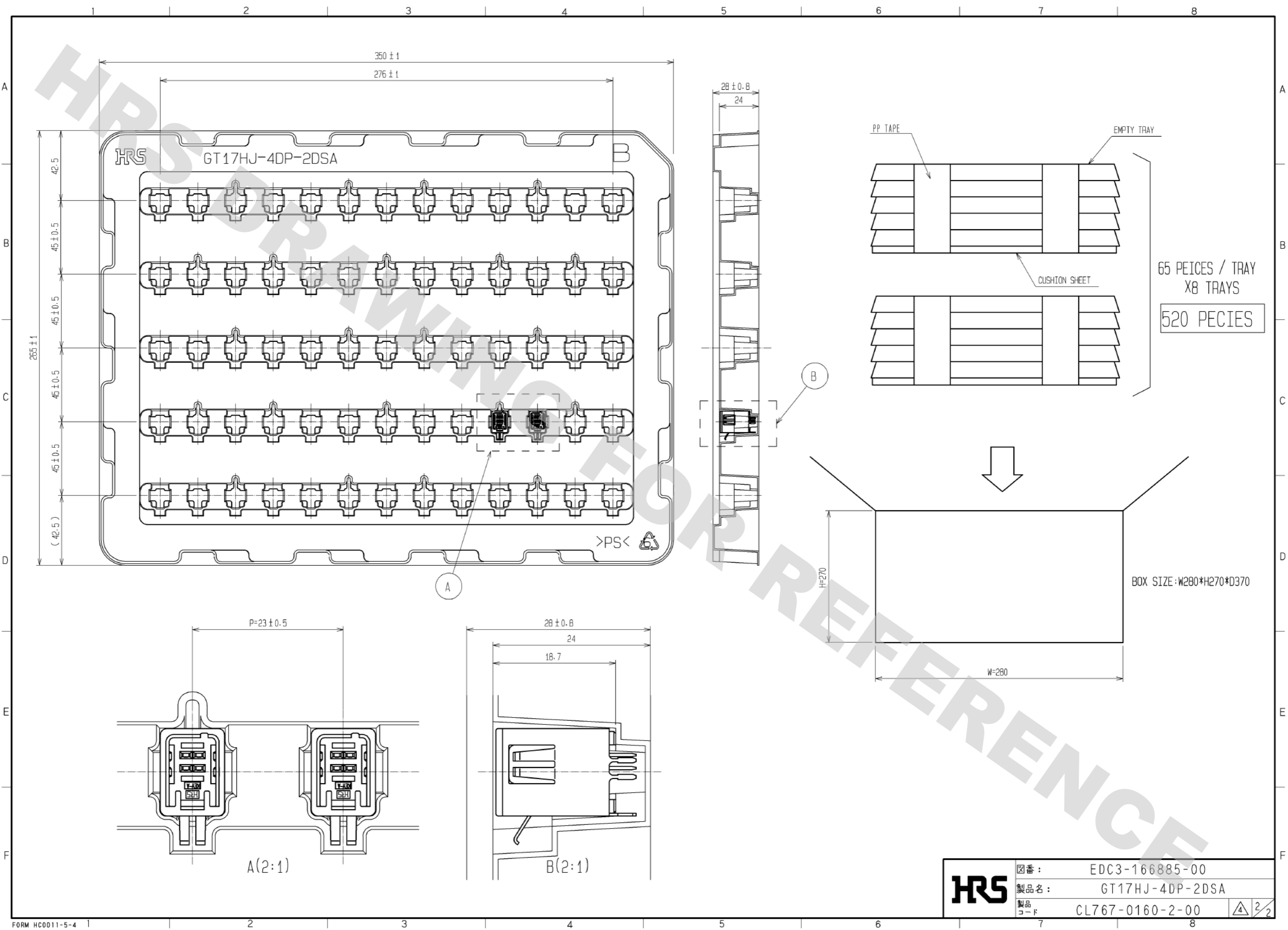
ELV, ROHS COMPLIANT



2	PPS-M	BROWN	4	PS-E	
1	COPPER ALLOY	TIN PLATED	3	BRASS	TIN PLATED
部番	材質	処理, 備考	部番	材質	処理, 備考
UNITS	mm	SCALE	2 : 1	訂正記事	設計
			Δの数	1	DIS-T-002796
					設計
					NH. NAKATA
					検
					AR. SHIRAI
					年月日
					12. 07. 20
					承認 : KS. SATOH 07. 05. 30
					検 : KS. SATOH 07. 05. 30
					設計 : TH. MIZUGUCHI 07. 05. 30
					製 : TH. MIZUGUCHI 07. 05. 30
					図番 : EDC3-166885-00
					製品名 : GT17HJ-4DP-2DSA
					製品コード : CL767-0160-2-00

DRAWING FOR REFERENCE: This is subject to change without notice
05/31/2013

DRAWING FOR REFERENCE: This is subject to change without notice
05/31/2013



65 PEICES / TRAY
X8 TRAYS
520 PECIES

BOX SIZE : W280*H270*D370

HRS	図番:	EDC3-166885-00	
	製品名:	GT17HJ-4DP-2DSA	
	製品コード:	CL767-0160-2-00	

Mouser Electronics

Authorized Distributor

Click to View Pricing, Inventory, Delivery & Lifecycle Information:

[Hirose Electric:](#)

[GT17HJ-4DP-2DSA](#)

Looking for pricing, stock, or lifecycle information?

Click below to explore more details on WIN SOURCE:

- ⊖ [View GT17HJ-4DP-2DSA on WIN SOURCE](#)
- ⊖ [Hirose Electric Co Ltd Information](#)

Optimize Your Supply Chain with WIN SOURCE Solutions

- ✓ Global Sourcing Solution
- ✓ Obsolete Management
- ✓ Cost Control Management
- ✓ Shortage Management
- ✓ Alternative Solution
- ✓ Excess Inventory Management