



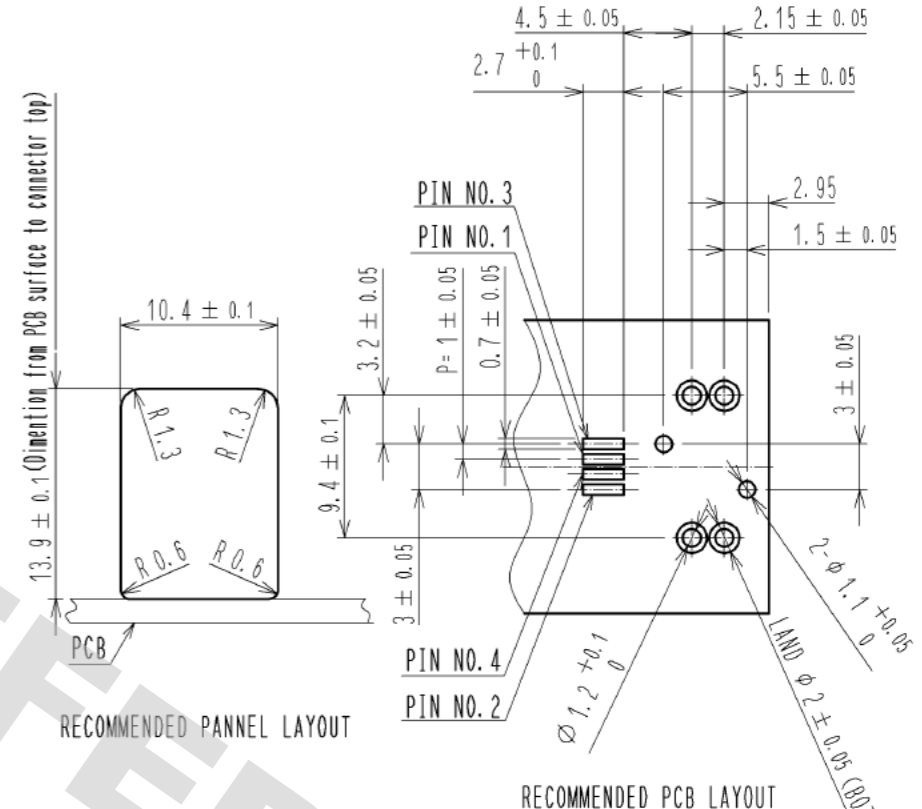
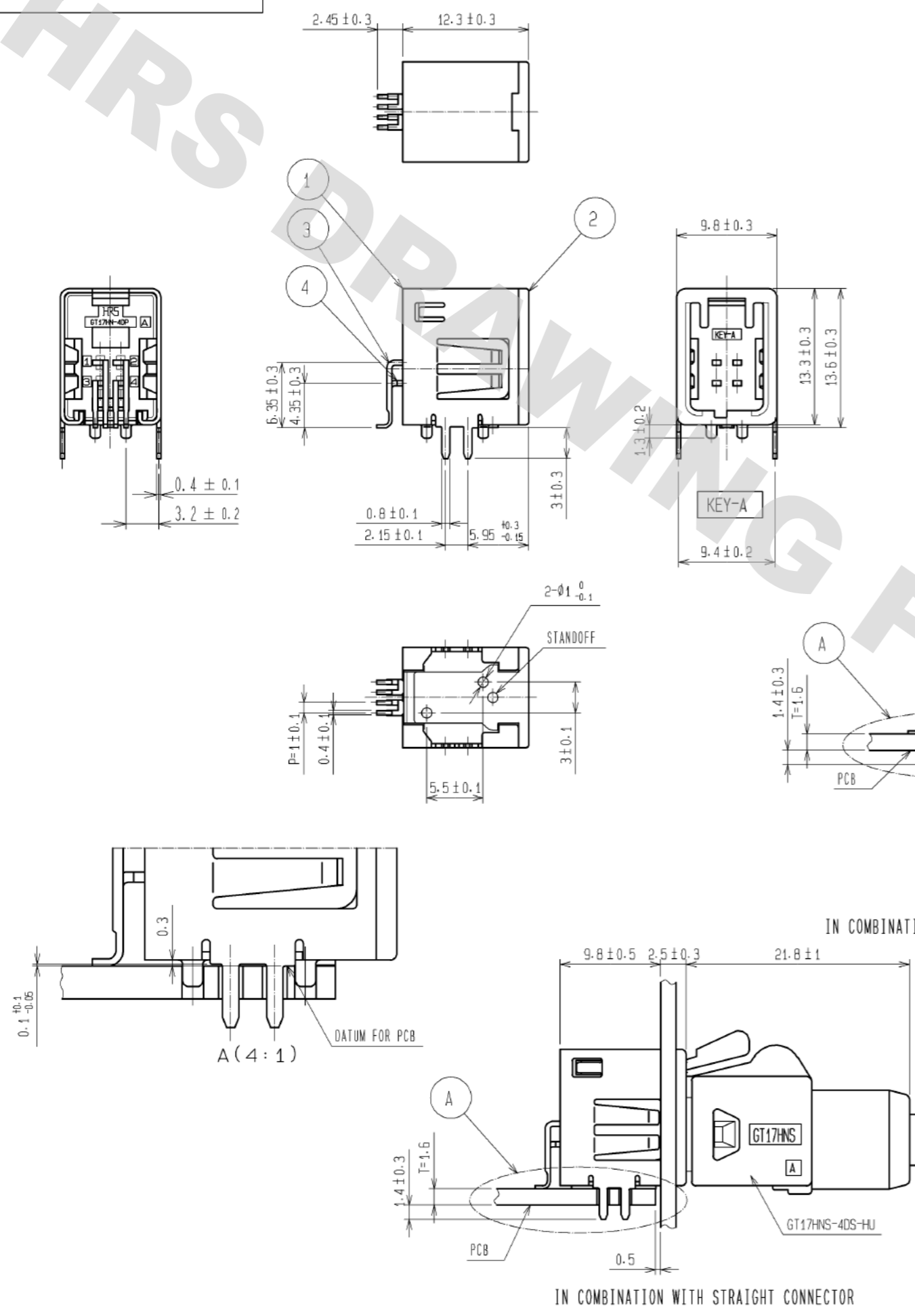
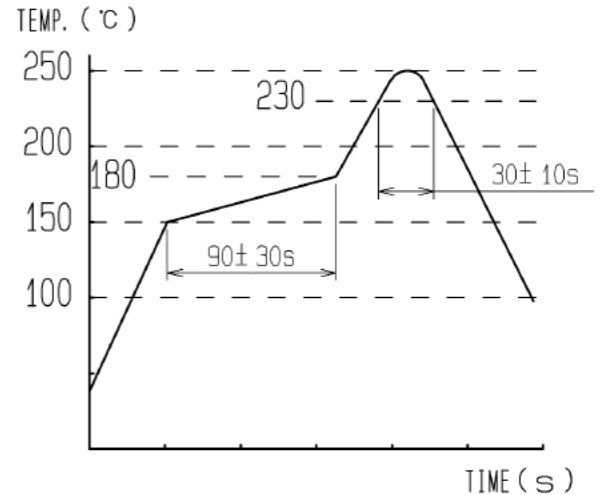
**THE DATASHEET OF  
GT17HN2-4DP-2H(A) (30)**



RoHS, ELV COMPLIANT

NOTES

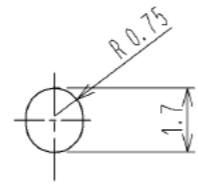
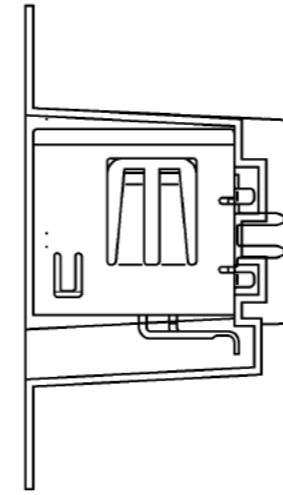
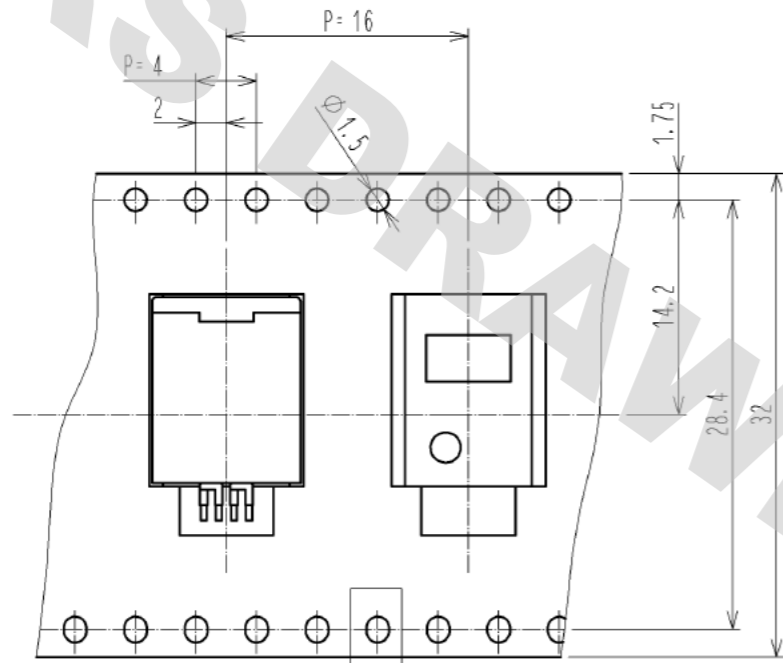
- 1) RECOMMENDED REFLOW PROFILE (SEE RIGHT GRAPH)  
CYCLE TIME: UP TO 2 CYCLES OF REFLOW SOLDERING ARE POSSIBLE UNDER THE CONDITIONS. PROVIDED THAT THERE IS A RETURN TO NOMAL TEMPERATURE BETWEEN THE FIRST AND SECOND CYCLE.  
PEAK TEMPERATURE: 250°C  
230°C MIN. FOR 20 TO 40 SECONDS.  
PREHEATING AREA 150 TO 180 °C FOR 60 TO 120 SECONDS.
- 2) HAND SOLDERING: 280-300°C, 2S MAX.
- 3) CONTACT COPLANARITY: 0.1mm MAX.
- 4) RECOMMENDED THICKNESS OF PCB: 1.6mm
- 5) RECOMMENDED THICKNESS OF SOLDERING PASTE: 0.12mm



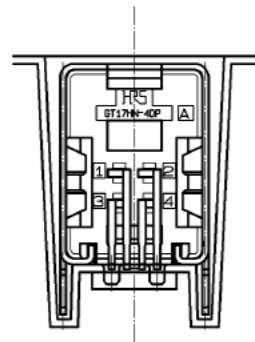
2	PA	BROWN	4	COPPER ALLOY	TIN PLATING
1	COPPER ALLOY	TIN PLATING	3	COPPER ALLOY	TIN PLATING
NO.	MATERIAL	FINISH . REMARKS	NO.	MATERIAL	FINISH . REMARKS
UNITS	mm	SCALE	2 : 1	COUNT	DESCRIPTION OF REVISIONS
APPROVED : NH. NAKATA		12.12.11		DRAWING NO. EDC3-168892-03	
CHECKED : TS. KUBOTA		12.12.11		PART NO. GT17HN2-4DP-2H(A)(30)	
DESIGNED : KK. FURUKAWA		12.12.07		CODE NO. CL767-0267-6-30	
DRAWN : KK. FURUKAWA		12.12.07			

DRAWING FOR REFERENCE: This is subject to change without notice  
05/31/2013

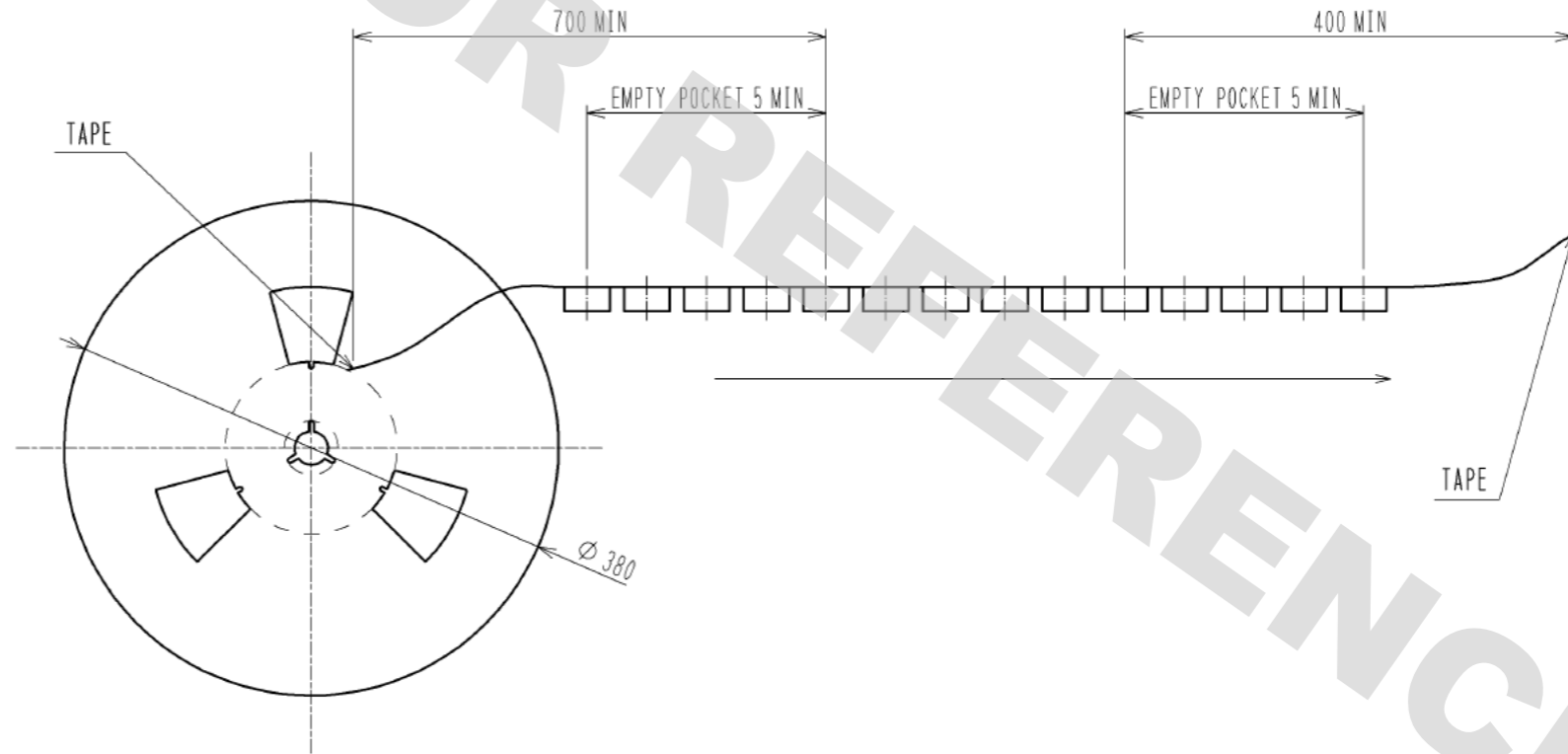
REEL DIRECTION



E (5:1)



PACKAGE STYLE  
300PCS/REEL



<b>HRS</b>	DRAWING NO.	EDC3-168892-03	
	PART NO.	GT17HN2-4DP-2H(A)(30)	
	CODE NO.	CL767-0267-6-30	

DRAWING FOR REFERENCE: This is subject to change without notice  
05/31/2013

# Mouser Electronics

Authorized Distributor

Click to View Pricing, Inventory, Delivery & Lifecycle Information:

[Hirose Electric:](#)

[GT17HN2-4DP-2H\(A\)\(30\)](#)

## Looking for pricing, stock, or lifecycle information?

Click below to explore more details on WIN SOURCE:

- ⊖ [View GT17HN2-4DP-2H\(A\) \(30\) on WIN SOURCE](#)
- ⊖ [Hirose Electric Co Ltd Information](#)

## Optimize Your Supply Chain with WIN SOURCE Solutions

- ✓ Global Sourcing Solution
- ✓ Obsolete Management
- ✓ Cost Control Management
- ✓ Shortage Management
- ✓ Alternative Solution
- ✓ Excess Inventory Management