

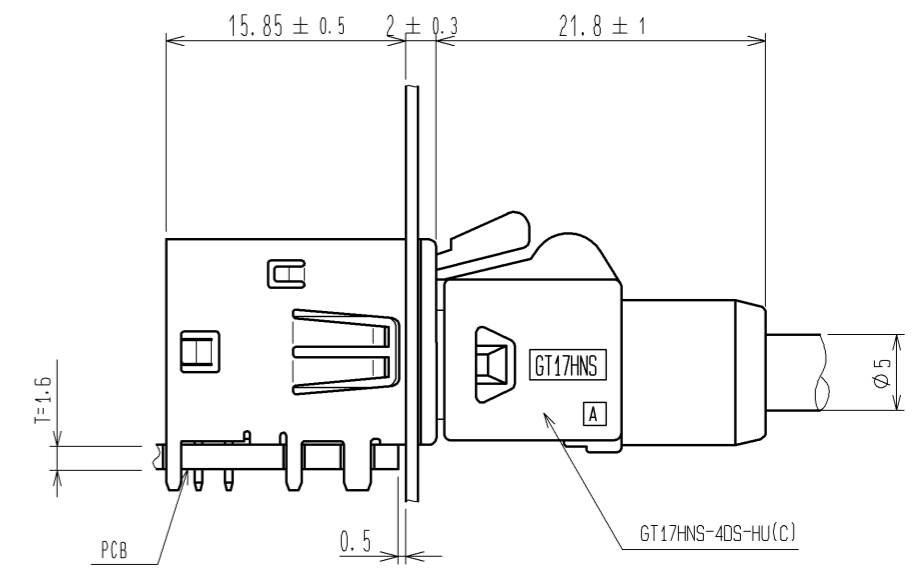
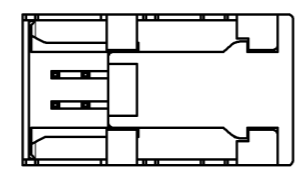
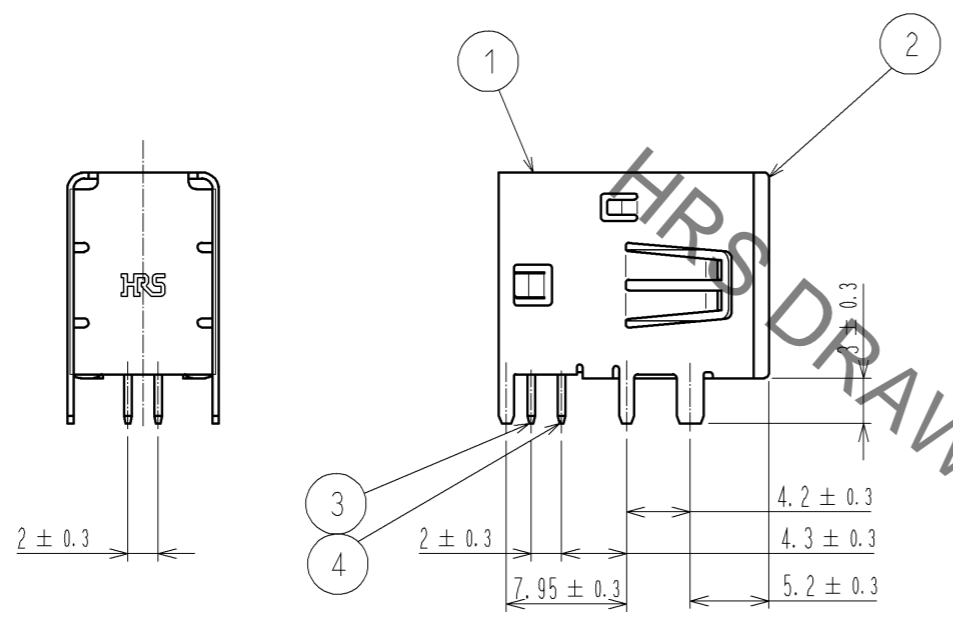
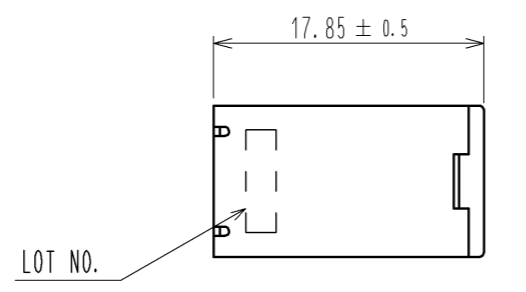


**THE DATASHEET OF
GT17HN-4DP-2DS(C)(10)**

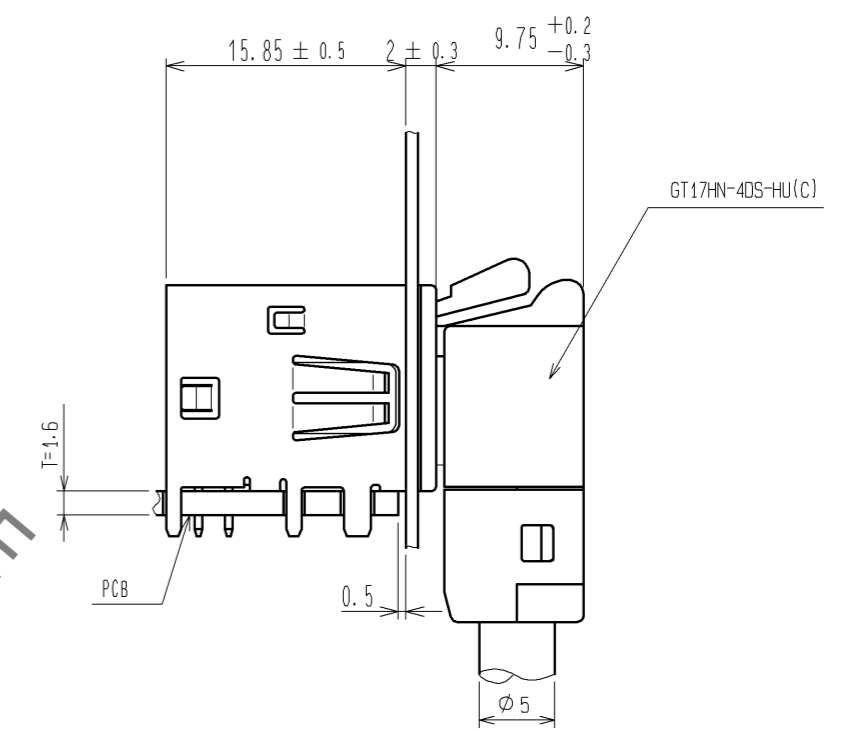


Oct.1.2019 Copyright 2019 HIROSE ELECTRIC CO., LTD. All Rights Reserved.
 In case of consideration for using Automotive equipment / device which demand high reliability, kindly contact our sales window correspondents.

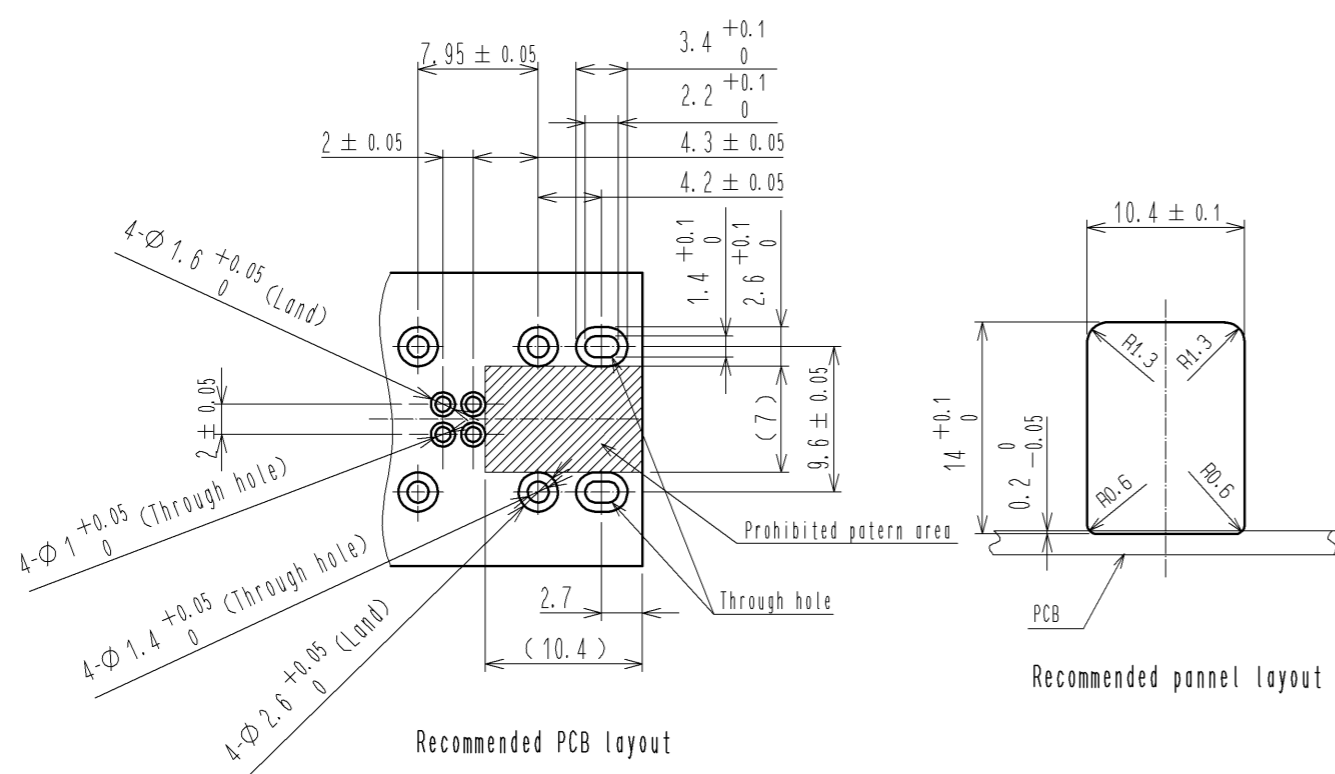
ELV, RoHS Compliant



Mated connector



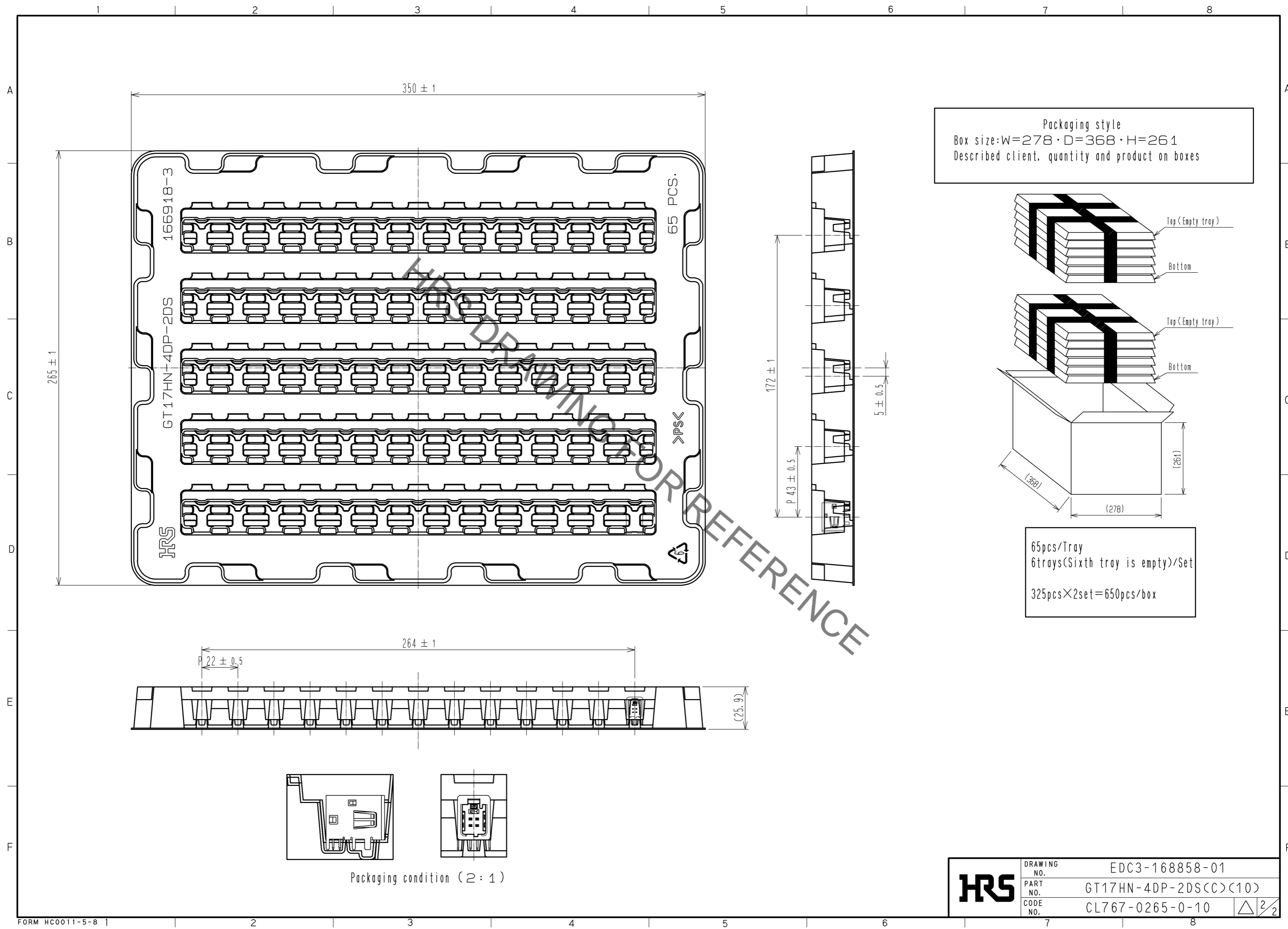
Mated connector



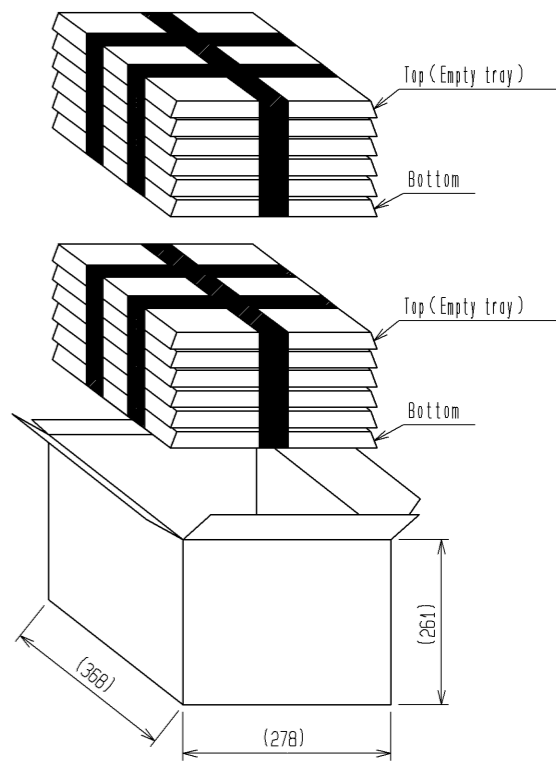
Recommended panel layout

2	PBT	Blue	4	Brass	Tin plating
1	Copper alloy	Tin plating	3	Brass	Tin plating
NO.	MATERIAL	FINISH . REMARKS	NO.	MATERIAL	FINISH . REMARKS
UNITS mm		SCALE 2 : 1	COUNT 	DESCRIPTION OF REVISIONS	DESIGNED
HRS HIROSE ELECTRIC CO., LTD.		APPROVED : NH. NAKATA	13.08.22	DRAWING NO.	EDC3-168858-01
		CHECKED : NH. NAKATA	13.08.22	PART NO.	GT17HN-4DP-2DS(C)(10)
		DESIGNED : TS. KUBOTA	13.08.21	CODE NO.	CL767-0265-0-10
		DRAWN : TS. KUBOTA	13.08.21		1/2

Oct.1.2019 Copyright 2019 HIROSE ELECTRIC CO., LTD. All Rights Reserved.
 In case of consideration for using Automotive equipment / device which demand high reliability, kindly contact our sales window correspondents.



Packaging style
 Box size:W=278 · D=368 · H=261
 Described client, quantity and product on boxes



65pcs/Tray
 6trays(Sixth tray is empty)/Set
 325pcs×2set=650pcs/box

HRS	DRAWING NO.	EDC3-168858-01
	PART NO.	GT17HN-4DP-2DS(C)(10)
	CODE NO.	CL767-0265-0-10
		△ 2/2

Mouser Electronics

Authorized Distributor

Click to View Pricing, Inventory, Delivery & Lifecycle Information:

[Hirose Electric:](#)

[GT17HN-4DP-2DS\(C\)\(10\)](#)

Looking for pricing, stock, or lifecycle information?

Click below to explore more details on WIN SOURCE:

- ⊖ [View GT17HN-4DP-2DS\(C\)\(10\) on WIN SOURCE](#)
- ⊖ [Hirose Electric Co Ltd Information](#)

Optimize Your Supply Chain with WIN SOURCE Solutions

- ✓ Global Sourcing Solution
- ✓ Obsolete Management
- ✓ Cost Control Management
- ✓ Shortage Management
- ✓ Alternative Solution
- ✓ Excess Inventory Management