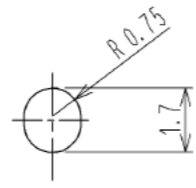
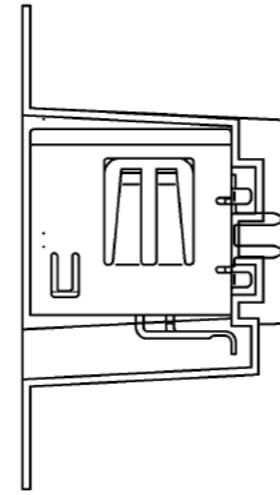
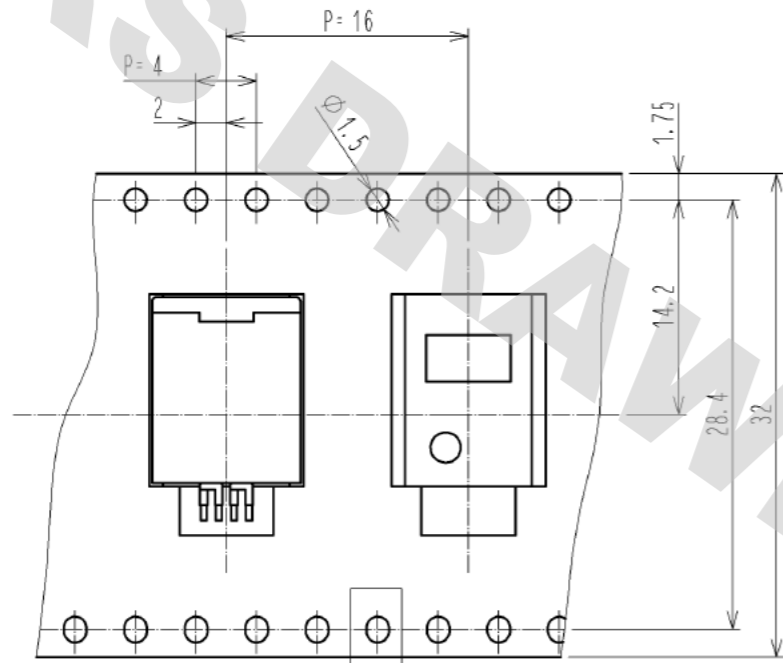




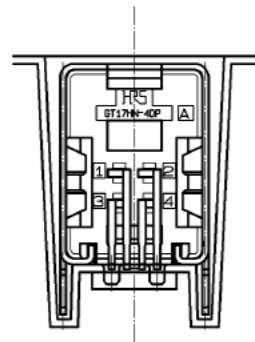
**THE DATASHEET OF
GT17HN2-4DP-2H(A) (30)**



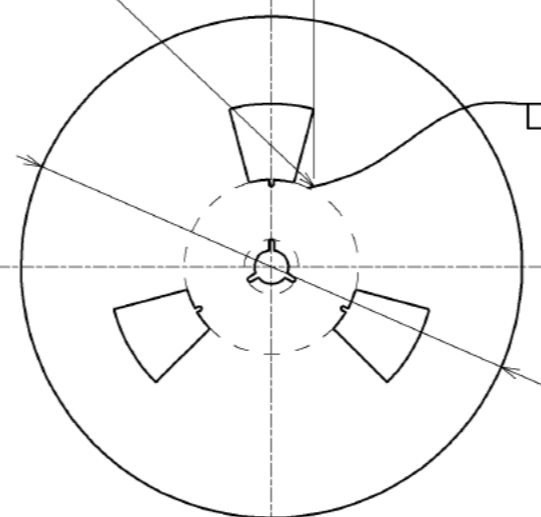
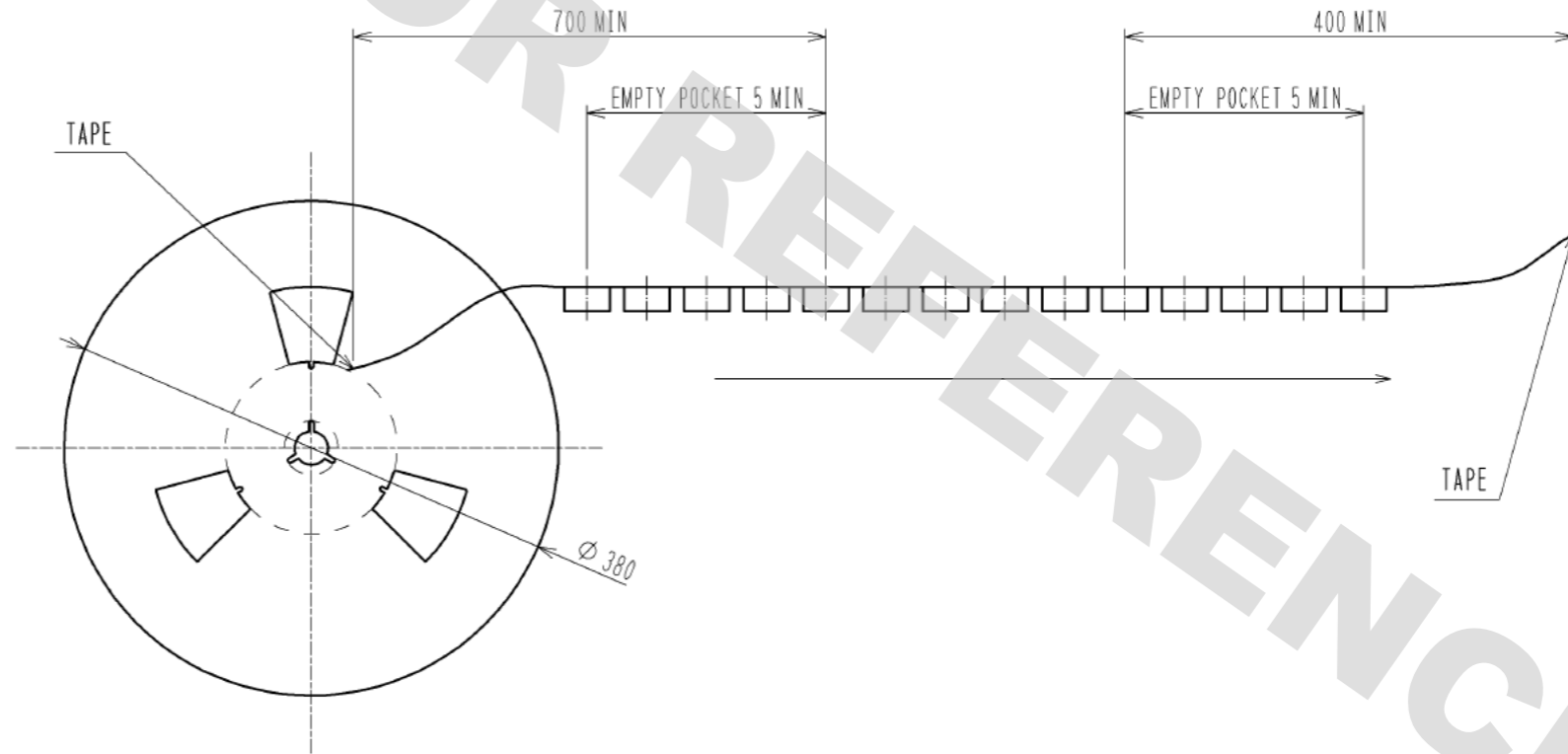
REEL DIRECTION



E (5:1)



PACKAGE STYLE
300PCS/REEL



HRS	DRAWING NO.	EDC3-168892-03	
	PART NO.	GT17HN2-4DP-2H(A)(30)	
	CODE NO.	CL767-0267-6-30	

DRAWING FOR REFERENCE: This is subject to change without notice
05/31/2013

Mouser Electronics

Authorized Distributor

Click to View Pricing, Inventory, Delivery & Lifecycle Information:

[Hirose Electric:](#)

[GT17HN2-4DP-2H\(A\)\(30\)](#)

Looking for pricing, stock, or lifecycle information?

Click below to explore more details on WIN SOURCE:

- [View GT17HN2-4DP-2H\(A\) \(30\) on WIN SOURCE](#)
- [Hirose Electric Co Ltd Information](#)

Optimize Your Supply Chain with WIN SOURCE Solutions

- ✓ Global Sourcing Solution
- ✓ Obsolete Management
- ✓ Cost Control Management
- ✓ Shortage Management
- ✓ Alternative Solution
- ✓ Excess Inventory Management