

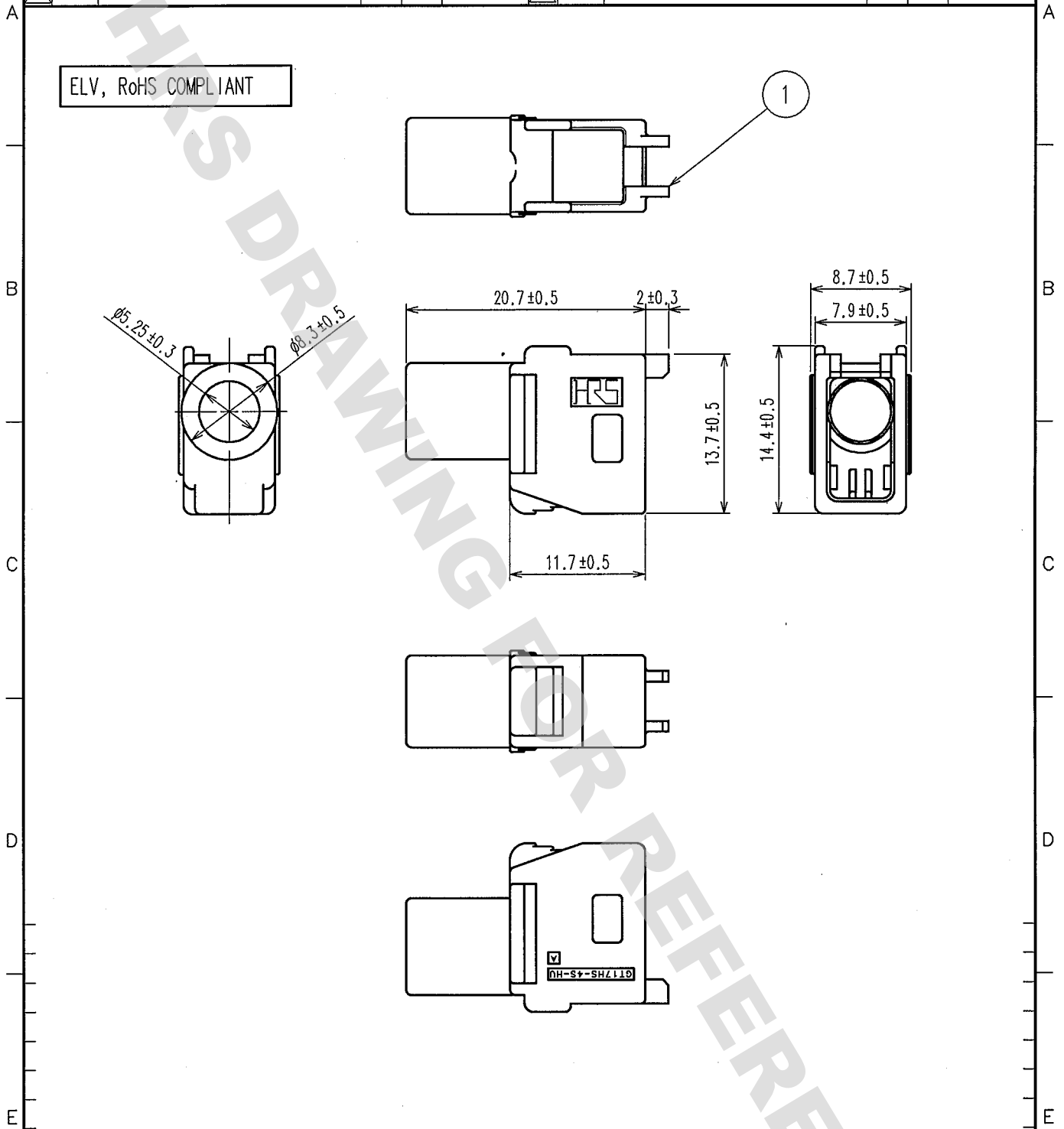


**THE DATASHEET OF
GT17HS-4S-HU**



DRAWING FOR REFERENCE: This is subject to change without notice
08/11/2012

1		2			3			4		
COUNT	DESCRIPTION OF REVISIONS	BY	CHKD	DATE	COUNT	DESCRIPTION OF REVISIONS	BY	CHKD	DATE	
△					△					
△					△					
△					△					



NO.	MATERIAL	FINISH, REMARKS	NO.	MATERIAL	FINISH, REMARKS
2			4		
1	PBT	DARK GRAY	3		

CODE NO. (OLD)	DRAWN	DESIGNED	CHECKED	APPROVED	RELEASED
CL	N. Haru- kayashi 06.06.06	N. Haru- kayashi 06.06.06	K. Sato 06.06.06	K. Sato 06.06.06	

TO
AMC

 SCALE 2 : 1 UNITS mm	DRAWING NO. EDC4-166638	PART NO. GT17HS-4S-HU		
	 HIROSE ELECTRIC CO., LTD.	CODE NO. CL767-0133-0	<table border="1"> <tr><td>1</td></tr> <tr><td>1</td></tr> </table>	1
1				
1				



Mouser Electronics

Authorized Distributor


Click to View Pricing, Inventory, Delivery & Lifecycle Information:

[Hirose Electric:](#)

[GT17HS-4S-HU](#)

Looking for pricing, stock, or lifecycle information?

Click below to explore more details on WIN SOURCE:

-  [View GT17HS-4S-HU on WIN SOURCE](#)
-  [Hirose Electric Co Ltd Information](#)

Optimize Your Supply Chain with WIN SOURCE Solutions

-  Global Sourcing Solution
-  Obsolete Management
-  Cost Control Management
-  Shortage Management
-  Alternative Solution
-  Excess Inventory Management