



**THE DATASHEET OF**  
**1734099-4**

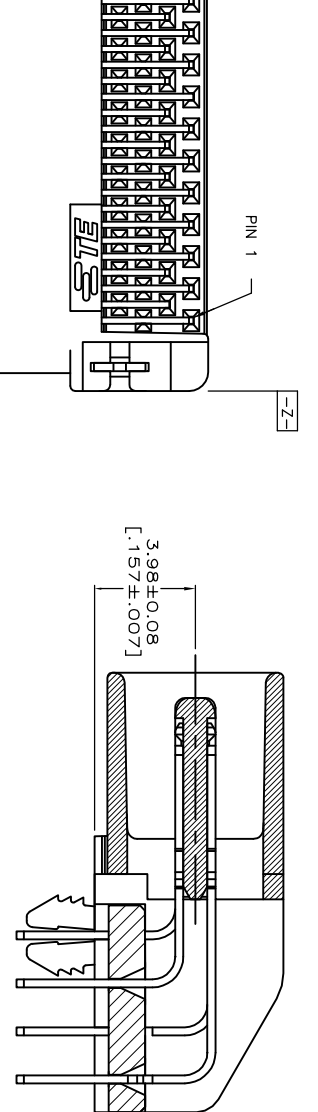


3

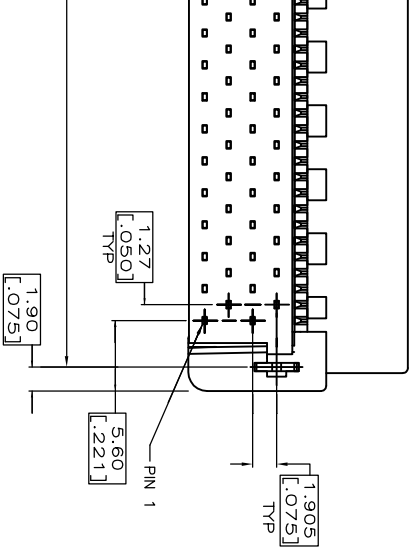
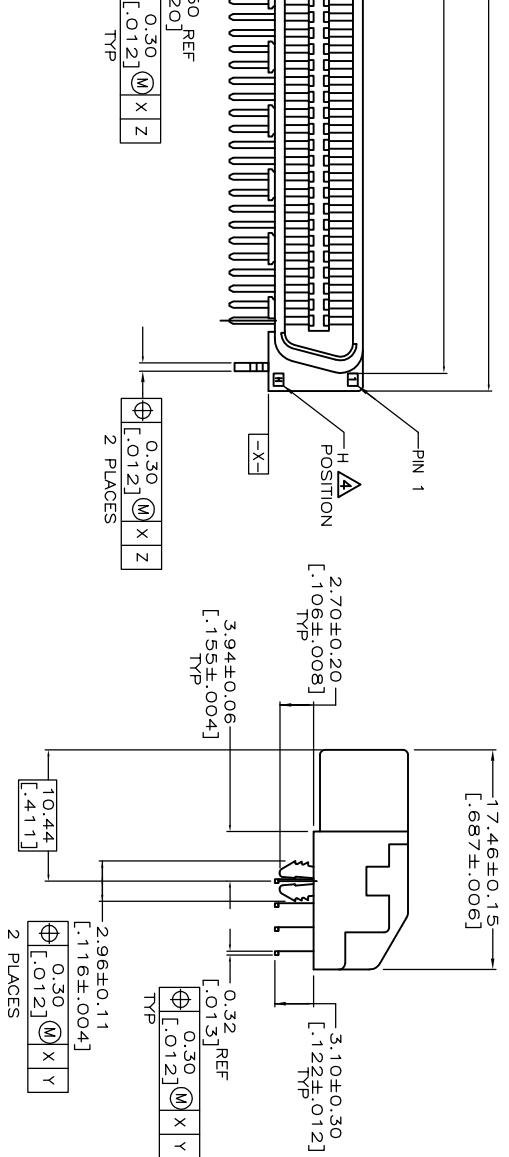
2

1

REVISIONS					
P	LTR	DESCRIPTION	DATE	DWN	APVD
H		REVISED PER ECO-17-013991	22SEP2017	RG	SH



SECTION D-D  
SCALE 8:1



E1	OBsolete	136.93 [5.891]	133.13 [5.241]	134.07 [5.278]	100	200	101	GOLD FLASH 0.381µm [15µ"]	5-1734099-8	3-1734099-8	200
		111.53 [4.391]	107.73 [4.241]	108.67 [4.278]	80	160	81	GOLD FLASH 0.381µm [15µ"]	5-1734099-6	3-1734099-6	160
E1	OBsolete	98.83 [3.891]	95.03 [3.741]	95.97 [3.778]	70	140	71	GOLD FLASH 0.381µm [15µ"]	5-1734099-4	3-1734099-4	140
		86.13 [3.391]	82.33 [3.241]	83.27 [3.278]	20	120	61	GOLD FLASH 0.381µm [15µ"]	5-1734099-2	3-1734099-2	120
E1	OBsolete	73.43 [2.891]	69.63 [2.741]	70.57 [2.778]	50	100	51	GOLD FLASH 0.381µm [15µ"]	5-1734099-0	3-1734099-0	100
		60.73 [2.391]	56.93 [2.241]	57.87 [2.278]	40	80	41	GOLD FLASH 0.381µm [15µ"]	4-1734099-8	2-1734099-8	80
E1		53.11 [2.091]	49.31 [1.941]	50.25 [1.978]	34	68	35	GOLD FLASH 0.381µm [15µ"]	4-1734099-7	2-1734099-7	68
		48.03 [1.891]	44.23 [1.741]	45.17 [1.778]	30	60	31	GOLD FLASH 0.381µm [15µ"]	4-1734099-6	2-1734099-6	60
E1		41.68 [1.641]	37.88 [1.491]	38.82 [1.528]	25	50	26	GOLD FLASH 0.381µm [15µ"]	4-1734099-5	2-1734099-5	50
		35.33 [1.391]	31.53 [1.241]	32.47 [1.278]	20	40	21	GOLD FLASH 0.381µm [15µ"]	4-1734099-4	2-1734099-4	40

THIS DRAWING IS A CONTROLLED DOCUMENT.

DIMENSIONS: mm  
TOLERANCES UNLESS OTHERWISE SPECIFIED:

0	PLC	± -
1	PLC	± 0.25
2	PLC	± 0.2
3	PLC	± -
4	PLC	± -
FINISH		± -
ANGLES		± -

MATERIAL SEE NOTE  
SEE NOTE



TE Connectivity

PLUG ASSEMBLY, R/A,  
BTB, CHAMP .050, SERIES I

DWN	31MAR2009	F. YANG
CHK	31MAR2009	S. CHIEN
APVD	31MAR2009	W. KODAMA
PRODUCT SPEC	108-57876	
APPLICATION SPEC	-	
WEIGHT	0	

NAME	SIZE	CAGE CODE	DRAWING NO	SCALE	SHEET	1 OF 5	REV	H
A3	00779	G	1734099					

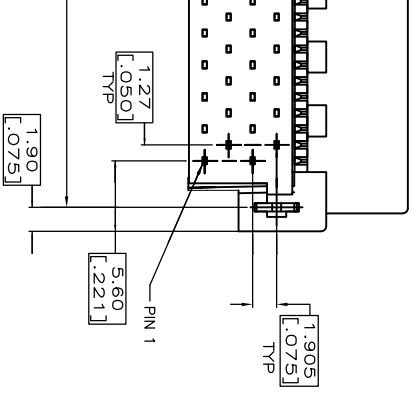
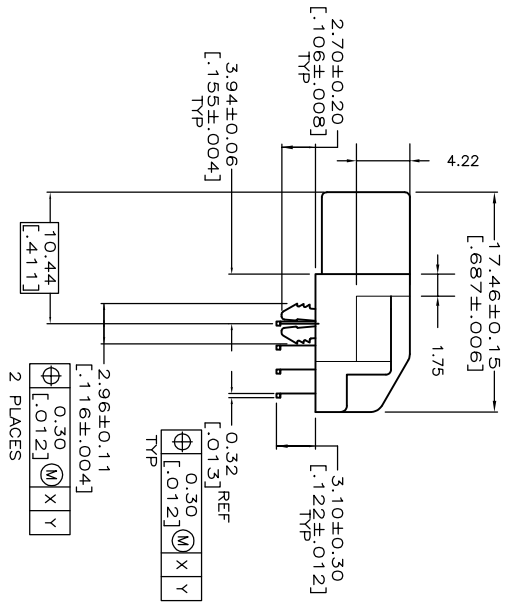
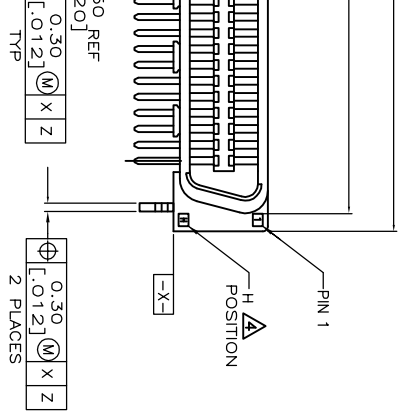
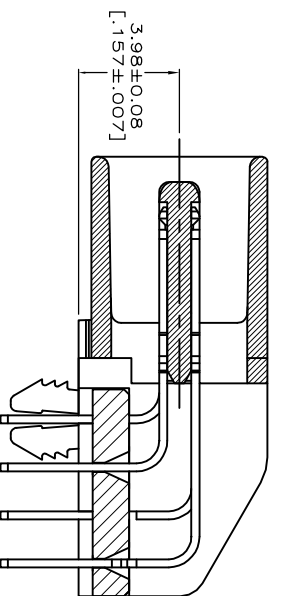
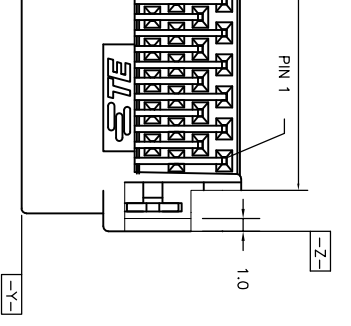
A B C D

3

2

1

REVISIONS					
P	LTR	DESCRIPTION	DATE	DWN	APVD
-	-	SEE SHEET 1	-	-	-



QTY	DESCRIPTION	DATE	DWN	APVD
30	GOLD FLASH	9-1734099-6		
60	0.381um [15u"]	8-1734099-6		
31	GOLD PLATED	7-1734099-6		

THIS DRAWING IS A CONTROLLED DOCUMENT.

DIMENSIONS: mm

TOLERANCES UNLESS OTHERWISE SPECIFIED:

FINISH	ANGLES
0 PLC	± -
1 PLC	± 0.25
2 PLC	± -
3 PLC	± -
4 PLC	± -

MATERIAL SEE NOTE

DWN F. YANG 31MAR2009  
 CHK S. CHIEN 31MAR2009  
 APVD W. KODAMA 31MAR2009  
 PRODUCT SPEC 108-57876  
 APPLICATION SPEC  
 WEIGHT



TE Connectivity

PLUG ASSEMBLY, R/A, BTB, CHAMP .050, SERIES I

NAME  
 SIZE A3  
 CAGE CODE 00779  
 DRAWING NO G1734099  
 SCALE  
 SHEET 2 OF 5  
 REV H

A

B

C

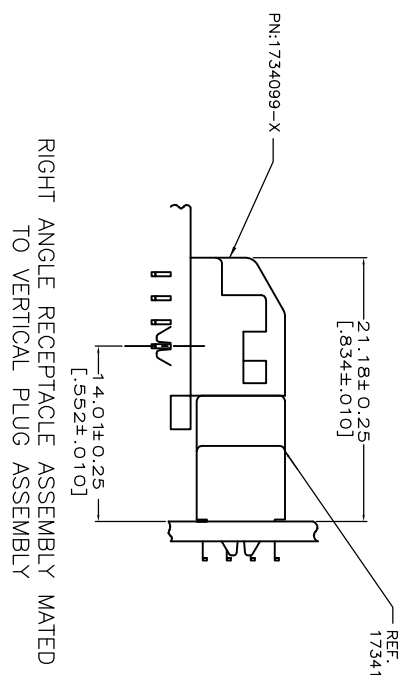
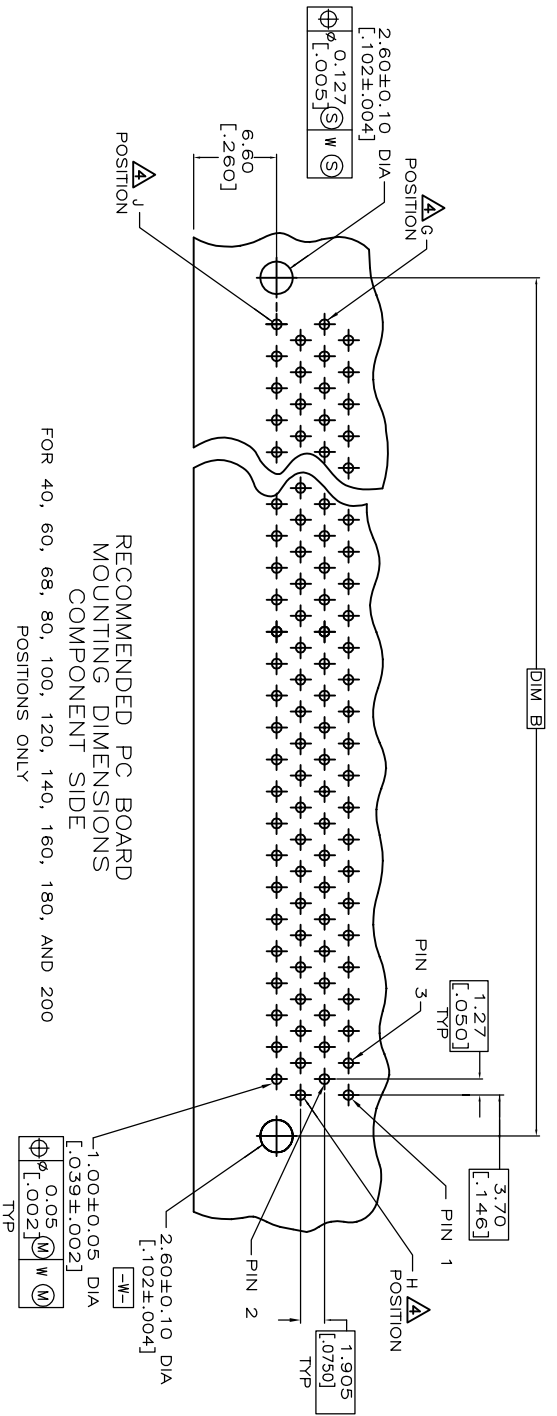
D

3

2

1

REVISIONS					
P	LTR	DESCRIPTION	DATE	DWN	APVD
-	-	SEE SHEET 1	-	-	-



THIS DRAWING IS A CONTROLLED DOCUMENT.

DIMENSIONS: mm TOLERANCES UNLESS OTHERWISE SPECIFIED.

FINISH	PLC	PLC	PLC	PLC
0	1	2	3	4
±	±	±	±	±
±	±	±	±	±
±	±	±	±	±

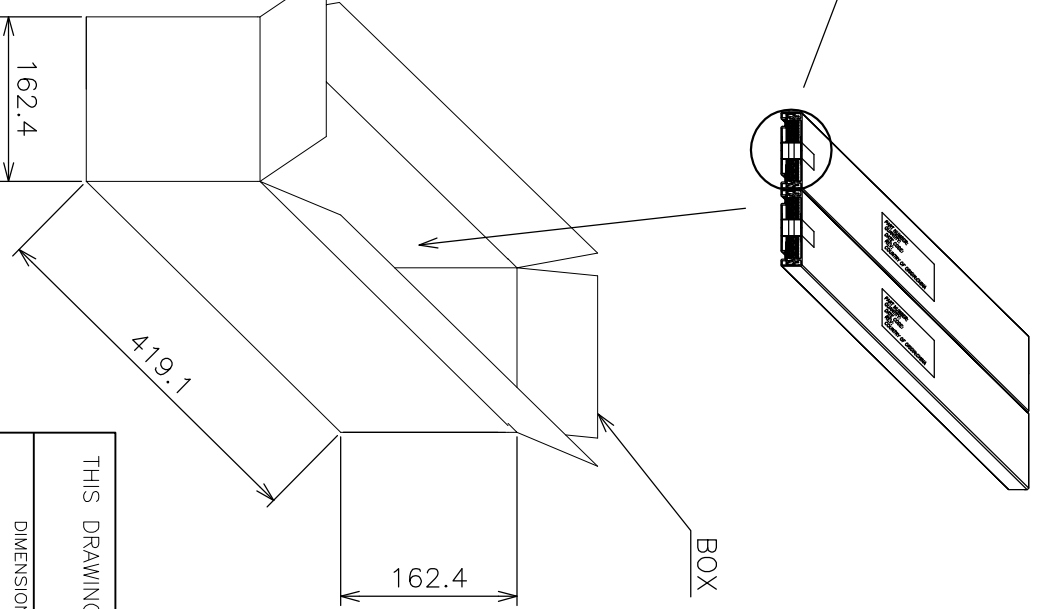
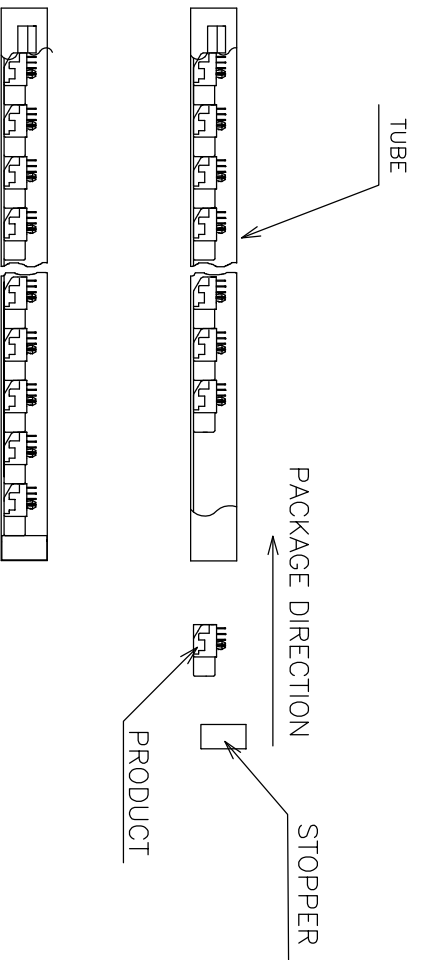


TE Connectivity

PLUG ASSEMBLY, R/A, BTB, CHAMP .050, SERIES I

APVD	CHK	DWN	NAME
-	-	-	PLUG ASSEMBLY, R/A, BTB, CHAMP .050, SERIES I
APVD	CHK	DWN	NAME
-	-	-	PLUG ASSEMBLY, R/A, BTB, CHAMP .050, SERIES I
PRODUCT SPEC	APPLICATION SPEC	WEIGHT	CUSTOMER DRAWING
-	-	-	-
SIZE	CAGE CODE	DRAWING NO	SCALE
A3	00779	1734099	-
RESTRICTED TO	SHEET	REV	
-	3 OF 5	H	

REVISIONS					
P	LTR	DESCRIPTION	DATE	DWN	APVD
-	-	SEE SHEET 1	-	-	-



POS.	Q'TY/ TUBE	TUBE/ BOX	Q'TY/ BOX	N/W (KG)	G/W (KG)	PART NUMBER
100	21	16	336	2.60	3.44	5-1734099-0 3-1734099-0 1-1734099-0
80	21	16	336	2.15	3.00	4-1734099-8 2-1734099-8 1734099-8

THIS DRAWING IS A CONTROLLED DOCUMENT.

DIMENSIONS: mm

TOLERANCES UNLESS OTHERWISE SPECIFIED:

FINISH	ANGLES
0 PLC	± -
1 PLC	± -
2 PLC	± -
3 PLC	± -
4 PLC	± -

DWN -  
CHK -  
APVD -  
PRODUCT SPEC -  
APPLICATION SPEC -  
WEIGHT -  
CUSTOMER DRAWING



TE Connectivity

PLUG ASSEMBLY, R/A,  
BTB, CHAMP .050, SERIES I

SIZE A3  
CAGE CODE 00779  
DRAWING NO. 1734099

SCALE - SHEET 4 OF 5 REV H

A

B

C

D

3

2

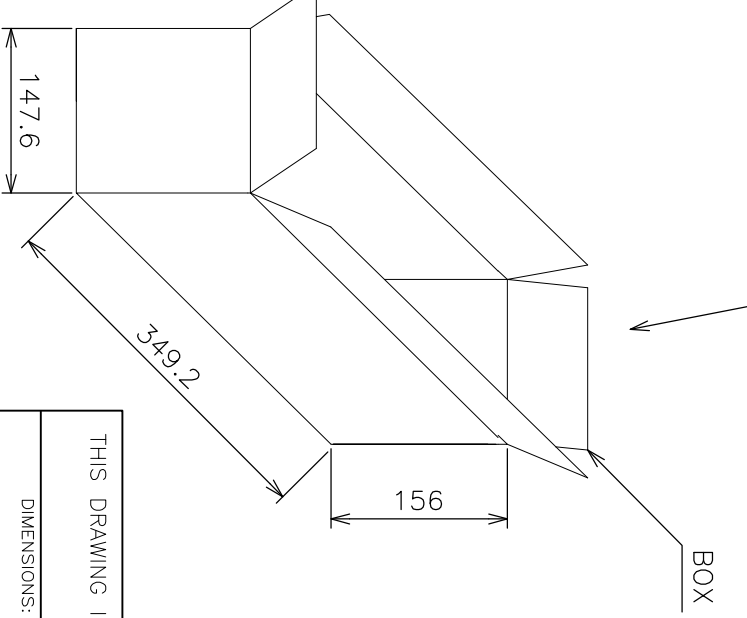
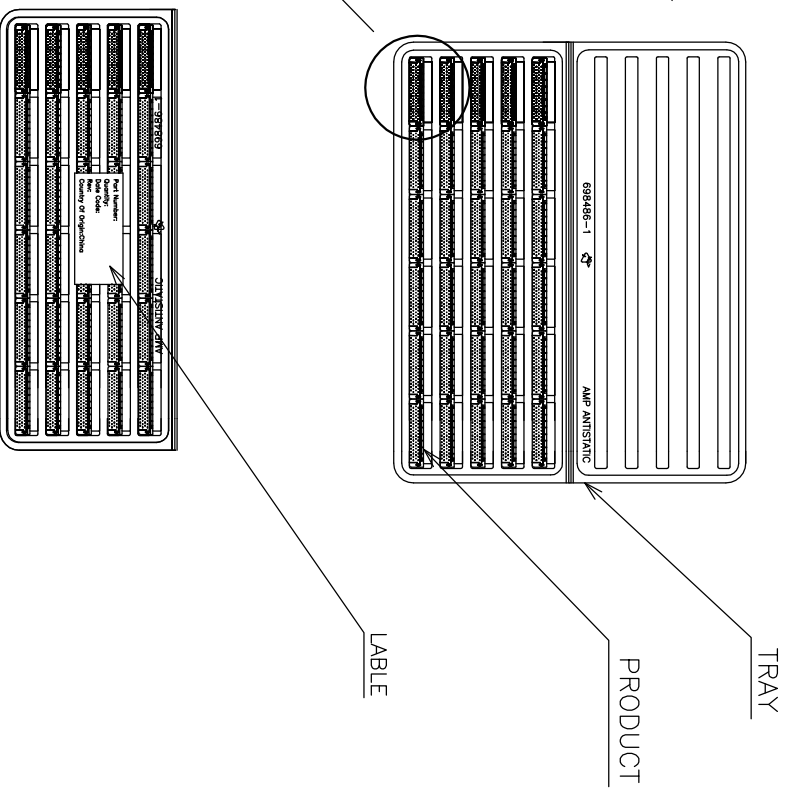
1

3

2

1

REVISIONS					
P	LTR	DESCRIPTION	DATE	DWN	APVD
-	-	SEE SHEET 1	-	-	-

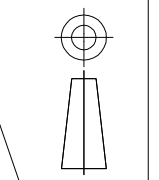


POS.	Q'TY/ TRAY	TRAY/ BOX	Q'TY/ BOX	N/W (KG)	G/W (KG)	PART NUMBER
						5-1734099-8
						3-1734099-8
						1-1734099-8
						5-1734099-6
						3-1734099-6
						1-1734099-6
						5-1734099-4
						3-1734099-4
						1-1734099-4
						5-1734099-2
						3-1734099-2
						1-1734099-2
						4-1734099-7
						2-1734099-7
						1734099-7
						4-1734099-6
						2-1734099-6
						1734099-6
						4-1734099-5
						2-1734099-5
						1734099-5
						4-1734099-4
						2-1734099-4
						1734099-4
40	45	10	450	1.71	2.66	
50	35	10	350	1.58	2.56	
60	30	10	300	1.53	2.48	
68	30	10	300	1.69	2.64	
120	15	10	150	1.20	2.15	
160	10	10	100	1.18	2.13	
200	10	10	100	1.40	2.35	
						5-1734099-8
						3-1734099-8
						1-1734099-8
						5-1734099-6
						3-1734099-6
						1-1734099-6
						5-1734099-4
						3-1734099-4
						1-1734099-4
						5-1734099-2
						3-1734099-2
						1-1734099-2
						4-1734099-7
						2-1734099-7
						1734099-7
						4-1734099-6
						2-1734099-6
						1734099-6
						4-1734099-5
						2-1734099-5
						1734099-5
						4-1734099-4
						2-1734099-4
						1734099-4

THIS DRAWING IS A CONTROLLED DOCUMENT.

DIMENSIONS: mm

TOLERANCES UNLESS OTHERWISE SPECIFIED:



FINISH	ANGLES
0 PLC	±
1 PLC	±
2 PLC	±
3 PLC	±
4 PLC	±



TE Connectivity

PLUG ASSEMBLY, R/A,  
BTB, CHAMP .050, SERIES I

DWN	-
CHK	-
APVD	-
PRODUCT SPEC	-
APPLICATION SPEC	-
WEIGHT	-
CUSTOMER DRAWING	-

NAME	A3 00779			SCALE	-	SHEET	5	OF	5	REV	H
SIZE	CAGE CODE	DRAWING NO	RESTRICTED TO								
A3	00779	1734099									

## Looking for pricing, stock, or lifecycle information?

Click below to explore more details on WIN SOURCE:

[View 1734099-4 on WIN SOURCE](#)

[TE Connectivity Information](#)

## Optimize Your Supply Chain with WIN SOURCE Solutions

- ✓ Global Sourcing Solution
- ✓ Obsolete Management
- ✓ Cost Control Management
- ✓ Shortage Management
- ✓ Alternative Solution
- ✓ Excess Inventory Management