

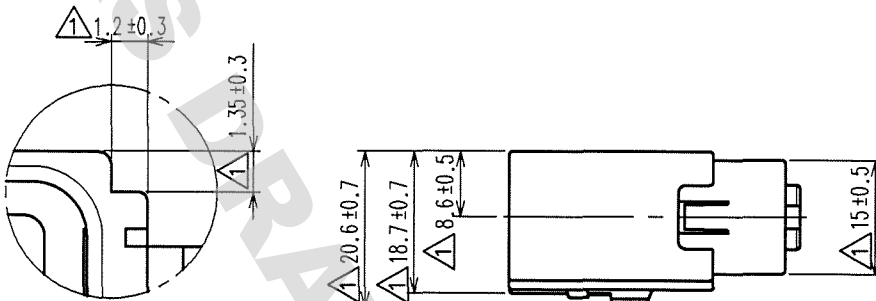


# THE DATASHEET OF GT17VS-10DS-HU

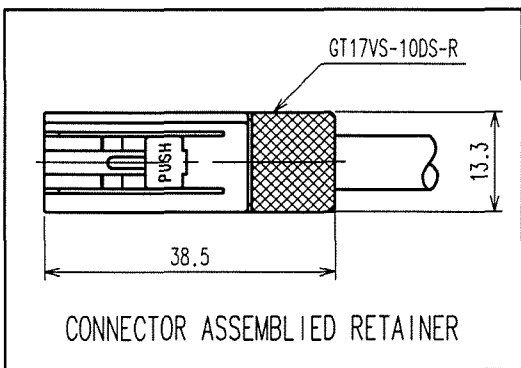
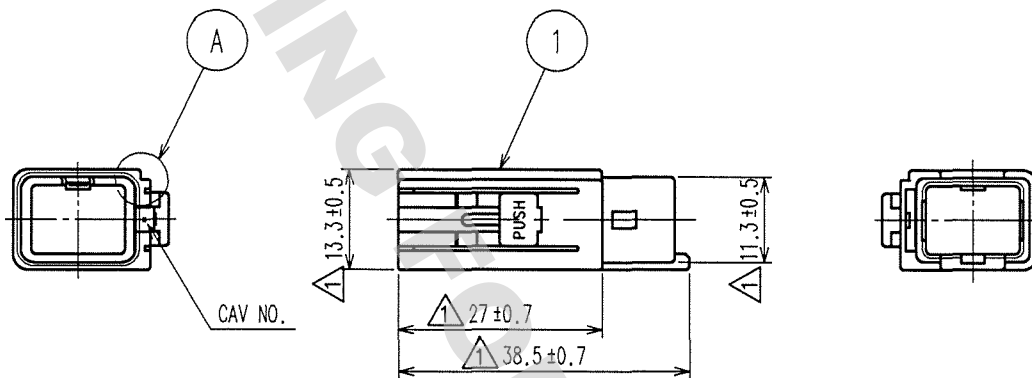


1	2			3			4		
COUNT	DESCRIPTION OF REVISIONS	BY	CHKD	DATE	COUNT	DESCRIPTION OF REVISIONS	BY	CHKD	DATE
1	DIS-T-000626	T.K	K.N	07.12.29					

ELV. RoHS COMPLIANT



A(4:1)



CONNECTOR ASSEMBLED RETAINER

NOTE1. THIS CONNECTOR SHALL BE USED THAT RETAINER (CL767-0063-6) WAS ASSEMBLED.  
2. APPLICABLE CABLE DIA :  $\phi$  7.5 TO  $\phi$  8.0

1	PBT	LIGHT GRAY
NO.	MATERIAL	FINISH, REMARKS

CODE NO. (OLD)

	DRAWN	DESIGNED	CHECKED	APPROVED	RELEASED
	T.SHISHIKURA	T.SHISHIKURA	N.NAKATA	K.SATO	
	'01.3.13	'01.3.13	'01.3.16	'01.3.16	

 SACLE 1 : 1 UNITS mm	DRAWING NO.	PART NO.
	EDC4-165729	GT17VS-10DS-HU
 HRS HIROSE ELECTRIC CO.,LTD.	CODE NO.	
	CL767-0061-0	1/1

DRAWING FOR REFERENCE: This is subject to change without notice  
08/11/2012

TO
AMC



# Mouser Electronics

Authorized Distributor

Click to View Pricing, Inventory, Delivery & Lifecycle Information:

[Hirose Electric:](#)

[GT17VS-10DS-HU](#)

## Looking for pricing, stock, or lifecycle information?

Click below to explore more details on WIN SOURCE:

-  [View GT17VS-10DS-HU on WIN SOURCE](#)
-  [Hirose Electric Co Ltd Information](#)

## Optimize Your Supply Chain with WIN SOURCE Solutions

-  Global Sourcing Solution
-  Obsolete Management
-  Cost Control Management
-  Shortage Management
-  Alternative Solution
-  Excess Inventory Management