

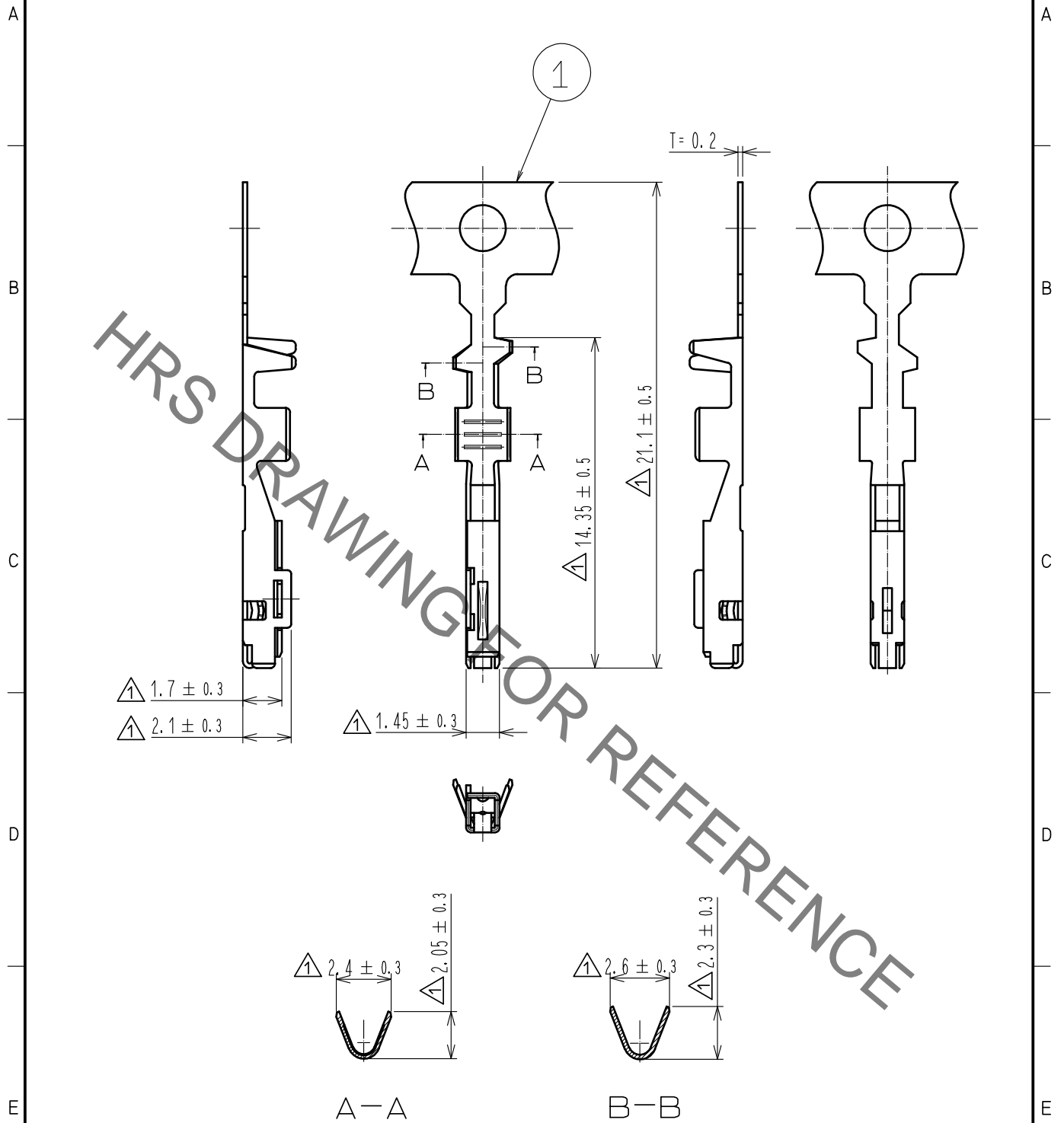


**THE DATASHEET OF
GT17-2022SCF**



Jul.1.2019 Copyright 2019 HIROSE ELECTRIC CO., LTD. All Rights Reserved.
 In case of consideration for using Automotive equipment / device which demand high reliability, kindly contact our sales window correspondents.

ELV. RoHS COMPLIANT



1	COPPER ALLOY	TIN PLATED						
NO.	MATERIAL	FINISH	REMARKS	NO.	MATERIAL	FINISH	REMARKS	
UNITS mm		SCALE 4 : 1	COUNT 10	DESCRIPTION OF REVISIONS DIS-T-00000995		DESIGNED TK. SUZUKI	CHECKED KI. HIROKAWA	DATE 16.03.10
HIROSE ELECTRIC CO., LTD.		APPROVED :KS. SATOH	05.01.05	DRAWING NO.		EDC4-165416-00		
		CHECKED :NA. HARUBAYASHI	05.01.05	PART NO.		GT17-2022SCF		
		DESIGNED :TK. SHISHIKURA	05.01.05	CODE NO.		CL767-0009-0-00		
		DRAWN :TK. SHISHIKURA	05.01.05			1/1		

Mouser Electronics

Authorized Distributor

Click to View Pricing, Inventory, Delivery & Lifecycle Information:

[Hirose Electric:](#)

[GT17-2022SCF](#)

Looking for pricing, stock, or lifecycle information?

Click below to explore more details on WIN SOURCE:

- ⊖ [View GT17-2022SCF](#) on WIN SOURCE
- ⊖ [Hirose Electric Co Ltd](#) Information

Optimize Your Supply Chain with WIN SOURCE Solutions

- ✓ Global Sourcing Solution
- ✓ Obsolete Management
- ✓ Cost Control Management
- ✓ Shortage Management
- ✓ Alternative Solution
- ✓ Excess Inventory Management