



**THE DATASHEET OF
ECS-TXO-2520MV-320-AN-TR**



ECS-TXO-2520MV CMOS SMD TCXO MultiVolt™ capability of 1.7 ~ 3.6V. The 2.5 x 2.0 x 0.9 mm ceramic package is ideal for portable, wireless applications where stability is critical.

Request a Sample

OPERATING CONDITIONS / ELECTRICAL CHARACTERISTICS



- HCMOS TCXO
- 2.5 x 2.0 mm Footprint
- PbFree/RoHS Compliant
- MSL 1
- Lead Finish Au
- MultiVolt™ Compatible with 1.8V, 2.5V or 3.3V Power Supply

Parameters	Conditions	ECS-TXO-2520MV			Units
		MIN	TYP	MAX	
Frequency Range		10.000		60.000	MHz
Operating Temperature	N Option	-40		+85	°C
Storage Temperature		-40		+90	°C
Input Voltage	VDD	+1.7		+3.6	VDC
Frequency Stability	Vs. Temp (AN -40 ~ +85°C)			±2.5	PPM
	Vs. Supply Change (±5%)			±0.3	PPM
	Vs. Load Change (±5%)			±0.3	PPM
	Vs. Aging/Year			±1.0	PPM
Frequency Tolerance	@ +25°C ±2°C			±1.5	PPM
Current Consumption				6.0	mA
"0" Level	VOL			10% Vdd	VDC
"1" Level	VOH	90% Vdd			VDC
Output Symmetry	@50% VDD Level			45/55	%
Rise and Fall Times	10% VDD to 90% Level			5	ns
Output Load	CMOS			15	pF
Start-up Time				10	mS
Phase Noise	@ 10 KHz Offset		-145		dBc/Hz
Phase Jitter (12 KHz ~ 20 MHz)	@ 50 MHz		254		fs

CURRENT CONSUMPTION , mA Max.

FREQ.	3.2~ 10 MHz	10.1~ 20 MHz	20.1~ 30 MHz	30.1~ 40 MHz	40.1 ~55 MHz
+1.8V	2.7	3.3	3.8	4.1	5.0
+2.5V	3.1	3.7	4.2	4.6	5.5
+2.8V	3.4	4.1	4.7	5.2	6.0
+3.3V	4.0	4.8	5.5	6.0	6.0

Part Numbering Guide: Example ECS-TXO-2520MV-250-AN-TR

ECS	Series	Frequency Abbreviations	Stability Tolerance	Temperature	Packaging
ECS	TXO-2520MV = TCXO	250 = 25.000 MHz See Developed Frequencies	A = ±2.5 ppm	L = -10 ~ +70°C M = -20 ~ +70°C Y = -30 ~ +85°C N = -40 ~ +85°C	TR = Tape & Reel 1K/reel

Package Dimensions (mm)

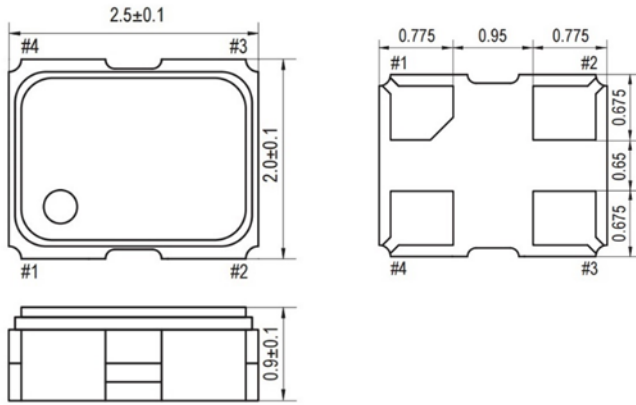


Figure 1) Top, Side, and Bottom views

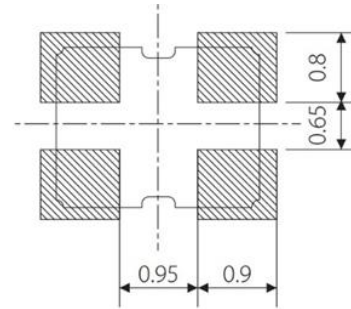
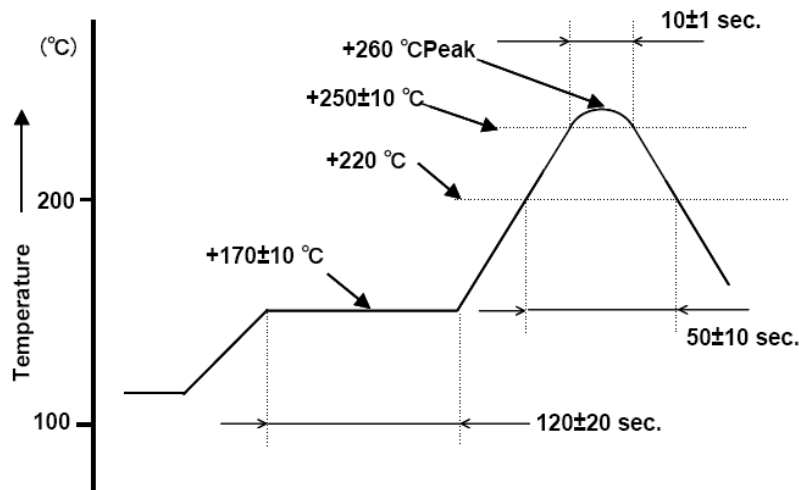


Figure 2) Land Pattern

Pin Connections	
#1	Tri-State
#2	Ground
#3	Output
#4	VDD

Tri-State Function	
Pin 1	Output
High or NC	Active
Low	Disable High-Z

Developed Frequencies	
* Abbreviation	Frequency (MHz)
100	10.000
120	12.000
160	16.000
200	20.000
240	24.000
250	25.000
320	32.000
400	40.000
500	50.000



Looking for pricing, stock, or lifecycle information?

Click below to explore more details on WIN SOURCE:

 [View ECS-TXO-2520MV-320-AN-TR on WIN SOURCE](#)

 [ECS Inc. Information](#)

Optimize Your Supply Chain with WIN SOURCE Solutions

-  Global Sourcing Solution
-  Obsolete Management
-  Cost Control Management
-  Shortage Management
-  Alternative Solution
-  Excess Inventory Management