



THE DATASHEET OF
1722581116



Ultra-Fit Power Connectors

3.50mm Pitch



Ultra-Fit Tangless connector is a wire-to-board system that offers a 3.50mm pitch, a higher-current rating of 14.0A, and superior design options for flexibility and efficient assembly

Features and Advantages

Multiple mechanical keying and color-coded options

Allow same-circuit, multiple connector use with virtually no chance of cross mating. Color coding provides visual indication of the proper mating connector — enabling faster assembly

17% reduction in pitch over similar power connectors

Current-dense design saves PCB space. Allows for smaller packaging without sacrificing current-carrying capabilities

Optional TPA (Terminal Position Assurance) retainer

Guarantees the terminal is fully seated in the housing to reduce terminal back-out. Retains terminal if main retention feature fails

Ultra low mating force terminal

Reduces operator fatigue and improves assembly compliance for high-current applications

Positive-lock housing with anti-snag design

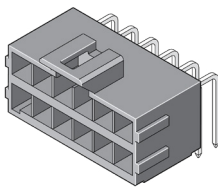
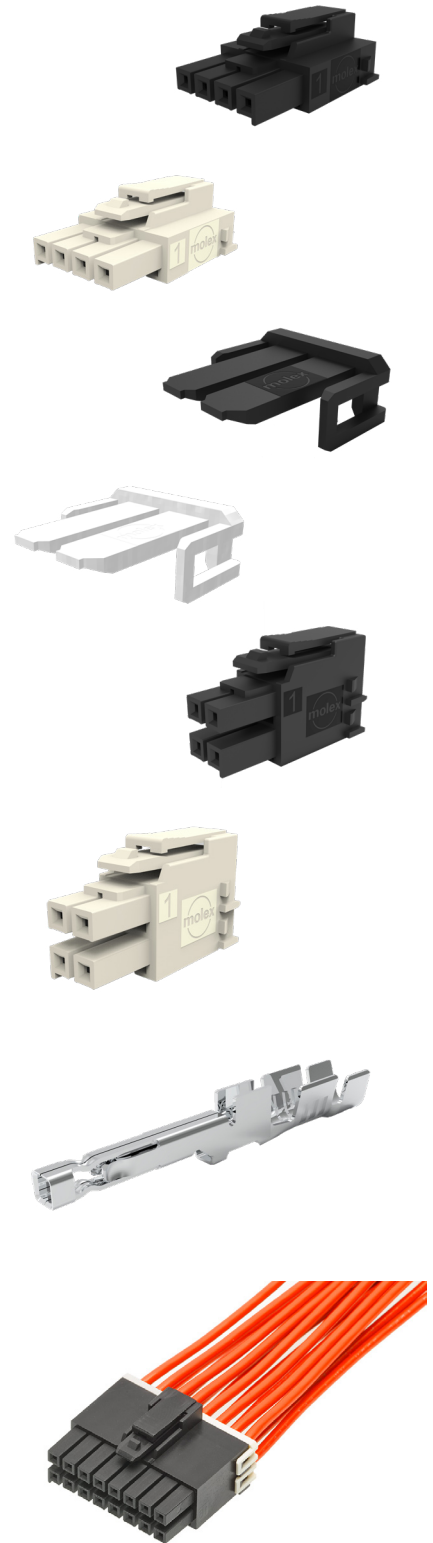
Ensures mated connector assemblies will not accidentally disengage. Provides an audible click while mating. Protects latch from damage due to wire snags

Fully isolated terminals

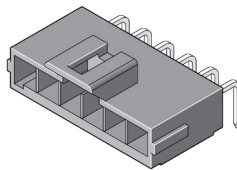
Protect against potential damage of the header and receptacle terminals during handling and mating

Terminal interface with six independent points of contact (split-box terminal design)

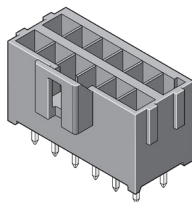
Offers redundant, secondary current paths for long-term performance and reliability



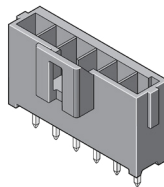
Dual-Row
Right-Angle Header
172316 Series



Single-Row
Right-Angle Header
172310 Series



Dual-Row
Vertical Header
172298 and
172299 Series



Single-Row
Vertical Header
172286 and
172287 Series



Ultra-Fit Tangless Connector

Ultra-Fit Power Connectors

3.50mm Pitch



Applications

Consumer / Home Appliance

Washers
Refrigerators

Telecommunications/Networking

Hubs
Servers

Transportation

Infotainment
Interior

Lighting

Ballasts
Home Lighting Fixtures

Aerospace and Defense

C4ISR

Industrial

Food and Beverage
Assembly Line Equipment

Medical

Patient Care Equipment
Healthcare IT



Specifications

REFERENCE INFORMATION

Packaging: Bag, Tray, Reel
UL File No.: E29179
CSA File No.: LR19980
Mates With:
Series: 172258 Series: 172298
Series: 172256 Series: 172286

Use With:

Series: 172253 Series: 172258, 172256
Series: 172264 Series: 172258, 172256

Terminal Used:

Series: 172253

Designed In: Millimeters

RoHS: Yes

Halogen Free: Yes

Glow Wire Capable: Yes

ELECTRICAL

Voltage (max.): 600V AC (RMS) or DC
Current (max.): 14.0A
Contact Resistance (max.): 7 milliohms
Dielectric Withstanding Voltage: 1800 VAC
Insulation Resistance (min.): 1000 Megohms

MECHANICAL

Pitch: 3.50mm
Contact Insertion Force (max.): 14.7 N (3.3 lbf)
Contact Retention to Housing: 24.5N
Insertion Force to PCB: 35N MAX
Mating Force: 4.5N MAX
Un-mating Force: 7 milliohms
Durability (min.): Mate connectors up to 25 cycles at
a maximum rate of 10 cycles per minute

PHYSICAL

Housing: 94 V-/Glow Wire Combo
Contact: High copper alloy
Plating: Tin over nickel overall
PCB Thickness: Standard 1.57mm
Operating Temperature: -40 to +105°C

Ordering Information

Series No.	Component	Orientation	Rows	Termination Style
172253	Crimp Terminal	---	---	---
172256	Receptacle Housing		Single	
172258			Dual	
172286	Header	Vertical	Single	Kinked Pin
172287			Single	Solder Clip
172298			Dual	Kinked Pin
172299				Solder Clip
172310		Right-Angle	Single	Through Hole
172316			Dual	

TPA

Series	Description	Circuit	Color
172264	TPA	2 to 8	Black and Natural

www.molex.com/link/ultrafit.html

Molex is a registered trademark of Molex, LLC in the United States of America and may be registered in other countries; all other trademarks listed herein belong to their respective owners.

Looking for pricing, stock, or lifecycle information?

Click below to explore more details on WIN SOURCE:

 [View 1722581116 on WIN SOURCE](#)

 [Molex, LLC Information](#)

Optimize Your Supply Chain with WIN SOURCE Solutions

-  Global Sourcing Solution
-  Obsolete Management
-  Cost Control Management
-  Shortage Management
-  Alternative Solution
-  Excess Inventory Management