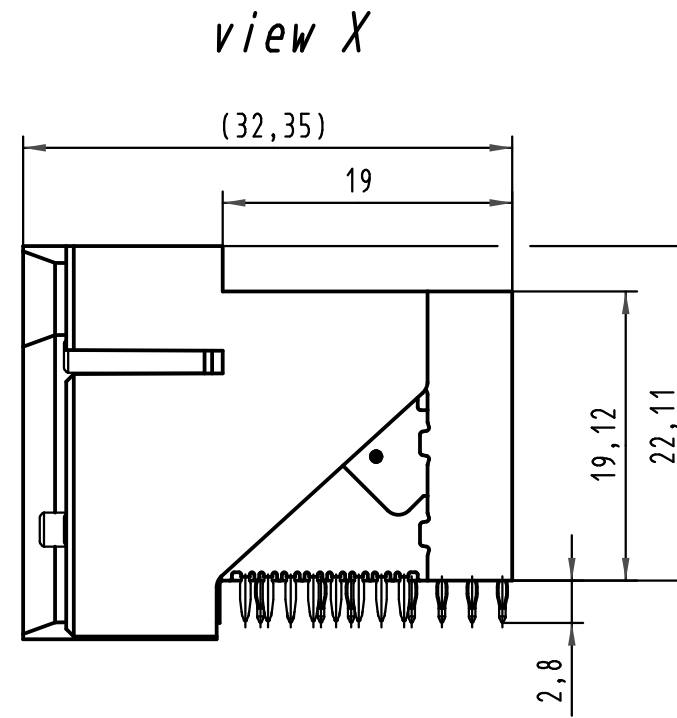
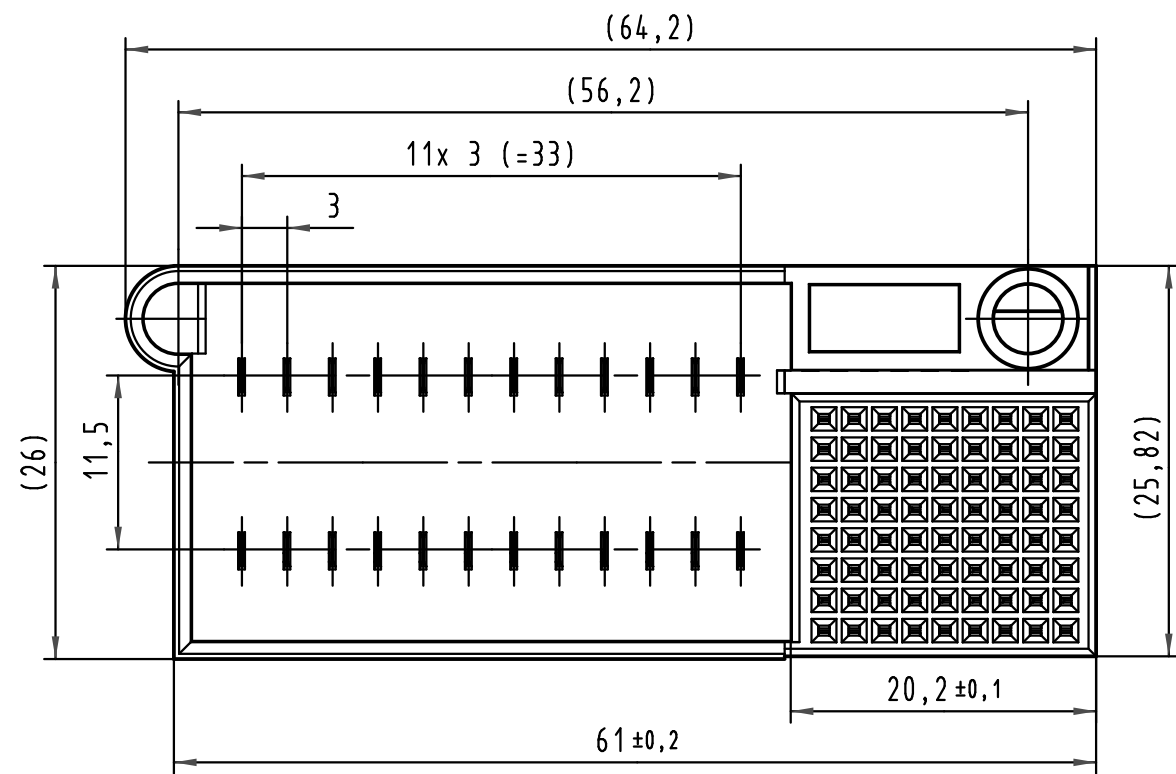
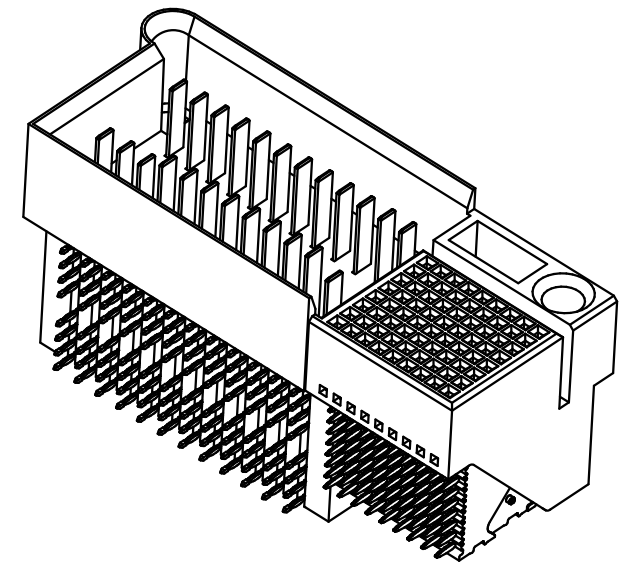
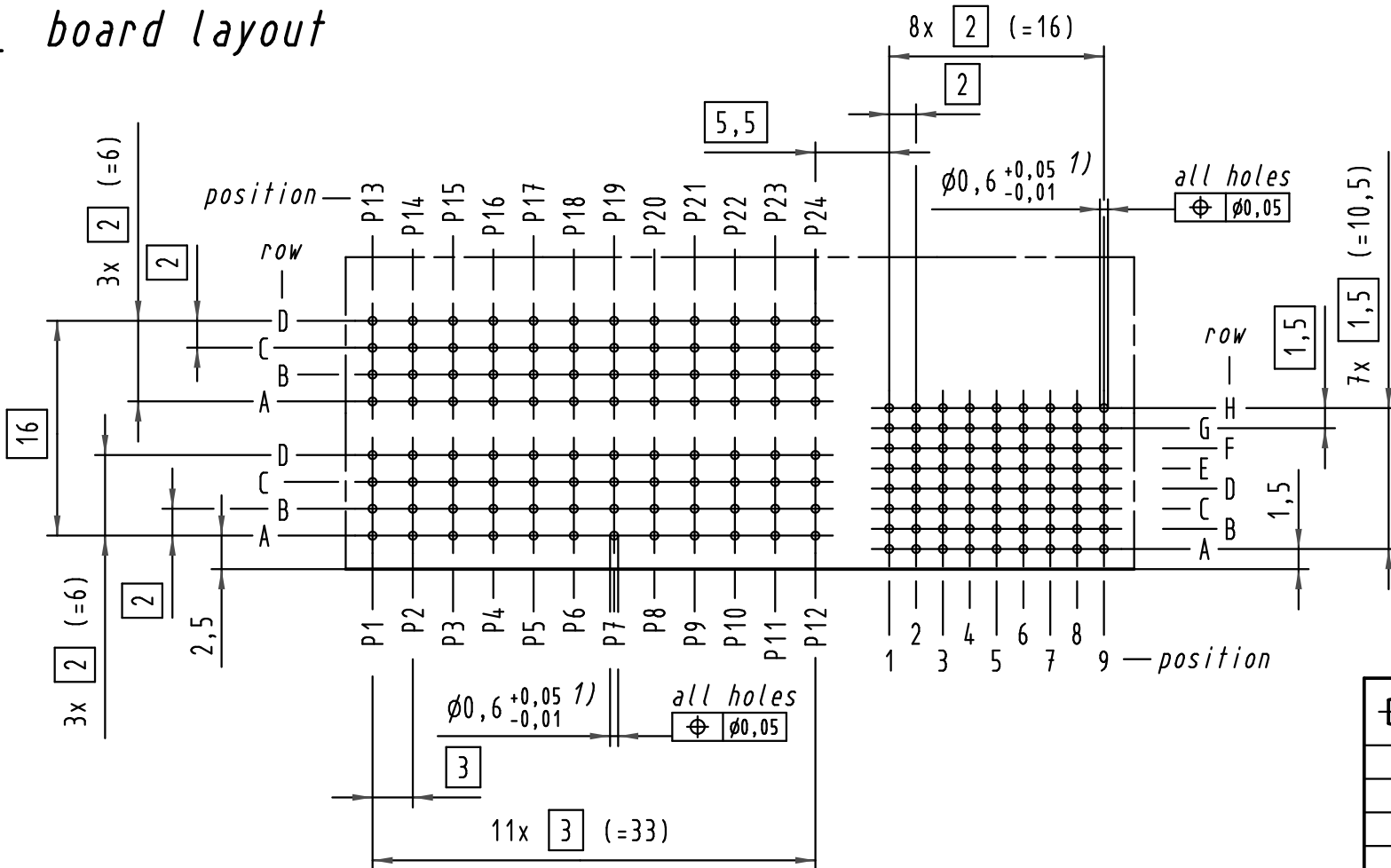




Alle Rechte vorbehalten/ All rights reserved



*board layout*



1) drill hole diameter:  $\varnothing 0,7 \pm 0,02$  mm  
 1) through hole diameter (after plating):  $\varnothing 0,6^{+0,05}_{-0,01}$  mm

		Techn. Character.			Nicht tolerierte Maß/Free size tolerances	
			Dat.	Name	Maßstab/Scale	<b>MicroTCA module power connector</b> <b>96 pole, press-fit</b>
	Detail.	20.04.07	HL.	<b>2:1</b>		
	Insp.	20.04.07	Ko			
	Stand.					
33904	HARTING Electronics GmbH & Co. KG				<b>TB 16 34 096 1101 000</b>	Blatt/ page
Mod.	Dat.	Name	D-32339 ESPELKAMP			

## Looking for pricing, stock, or lifecycle information?

Click below to explore more details on WIN SOURCE:

 [View 16340961101000 on WIN SOURCE](#)

 [HARTING](#) Information

## Optimize Your Supply Chain with WIN SOURCE Solutions

-  Global Sourcing Solution
-  Obsolete Management
-  Cost Control Management
-  Shortage Management
-  Alternative Solution
-  Excess Inventory Management