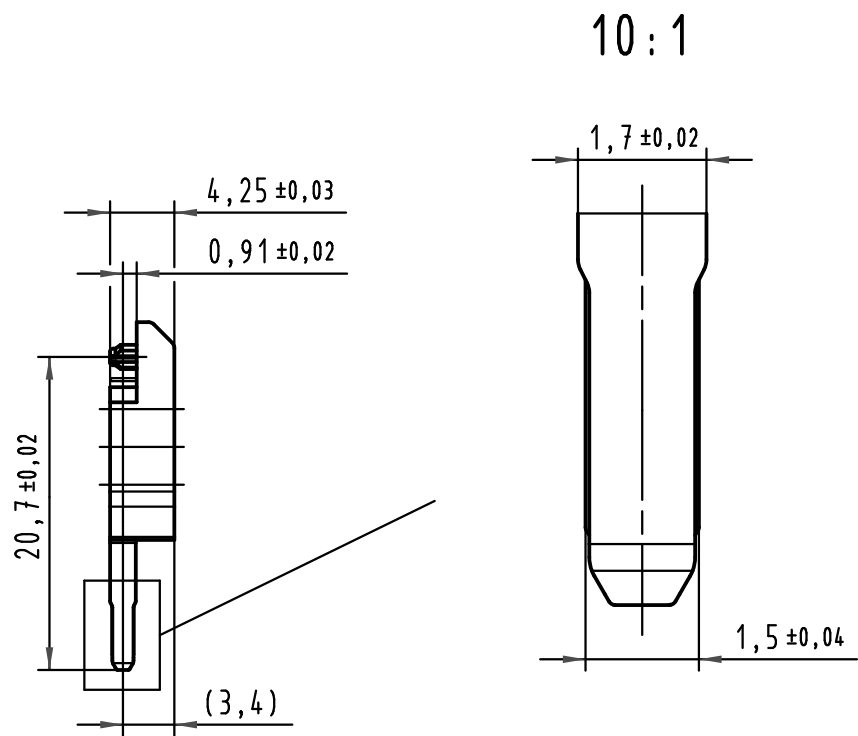
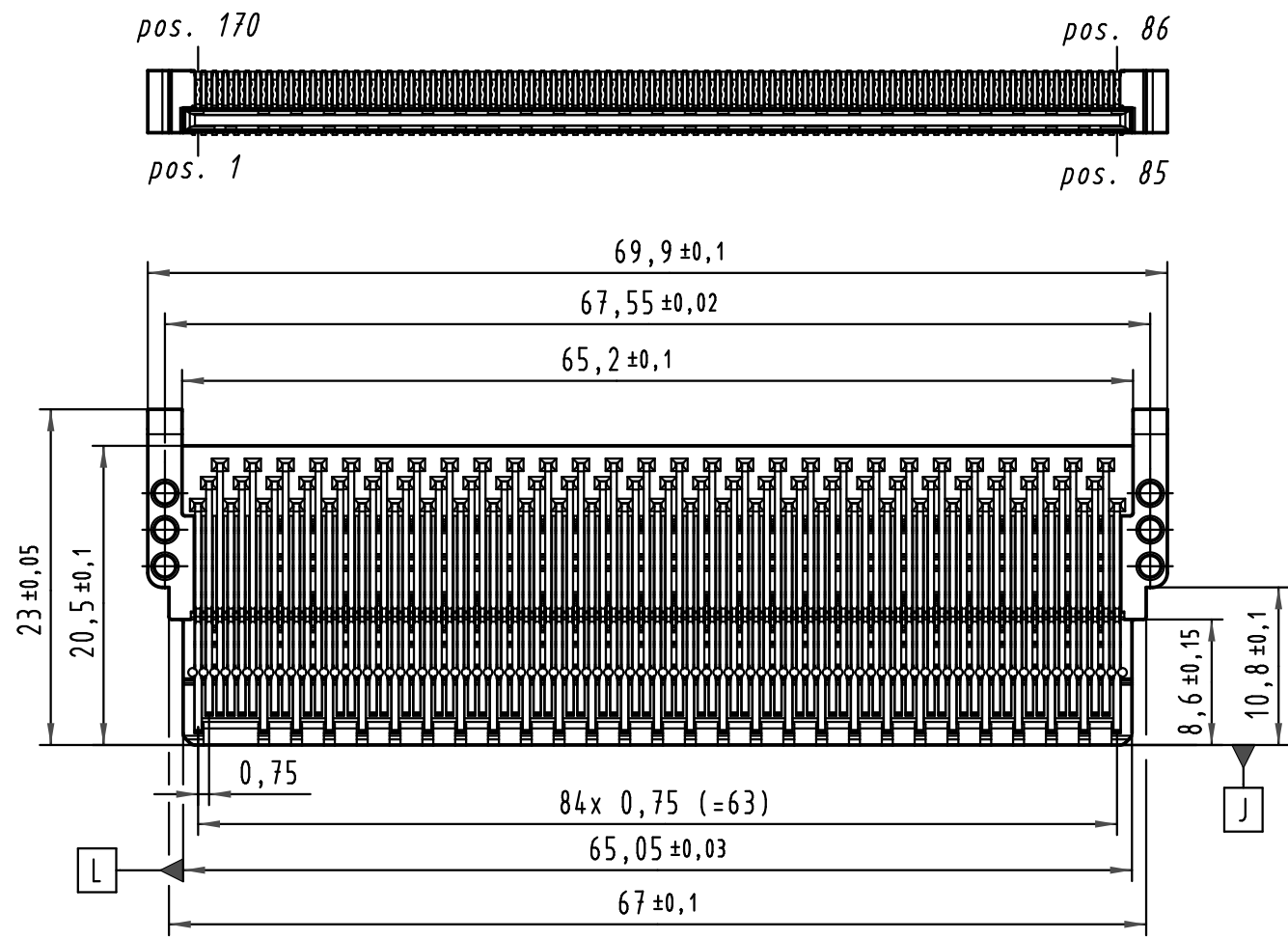




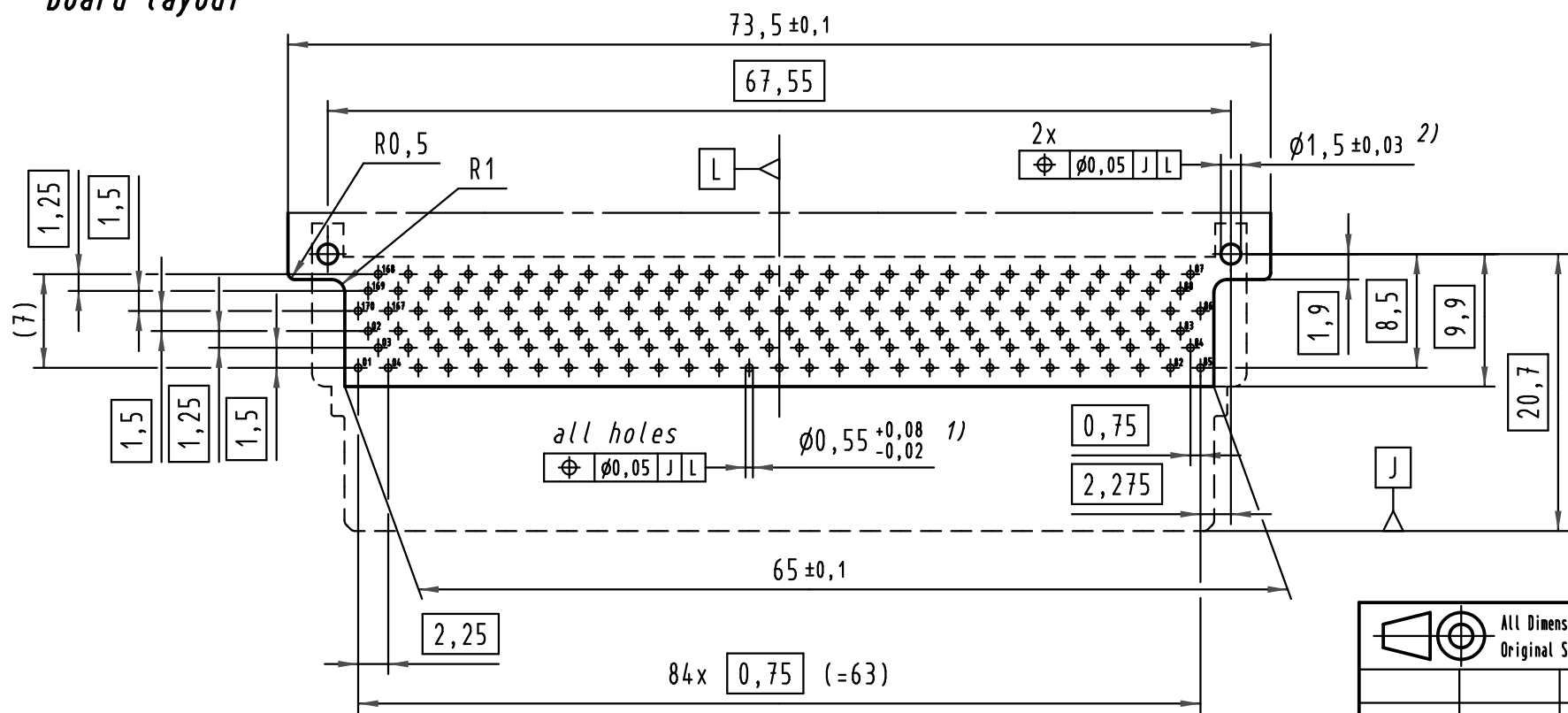
THE DATASHEET OF
16211701301000



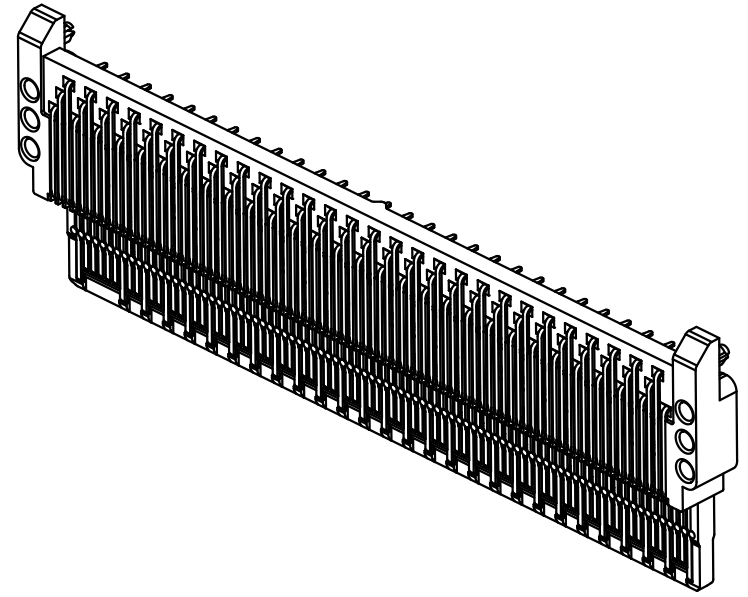
Alle Rechte vorbehalten/ All rights reserved



board layout



- 1) plated holes
- 2) non-metallized drillings
- mating steps acc. to MicroTCA.0 and AdvancedMC.0



All Dimensions in mm Original Size DIN A 3		Techn. Character.			Nicht tolerierte Maß/Free size tolerances	
			Dat.	Name	Maßstab/Scale	AdvancedMC-Plug-Connector 170 pole, solder
	Detail.	16.06.08	HL.	2:1 (10:1)		
	Insp.	16.06.08	Li			
	Stand.					
34430	HARTING Electronics GmbH & Co. KG			TB 16 21 170 1301 000		Blatt/ page Sub.
Mod.	Dat.	Name				

Looking for pricing, stock, or lifecycle information?

Click below to explore more details on WIN SOURCE:

 [View 16211701301000 on WIN SOURCE](#)

 [HARTING](#) Information

Optimize Your Supply Chain with WIN SOURCE Solutions

-  Global Sourcing Solution
-  Obsolete Management
-  Cost Control Management
-  Shortage Management
-  Alternative Solution
-  Excess Inventory Management