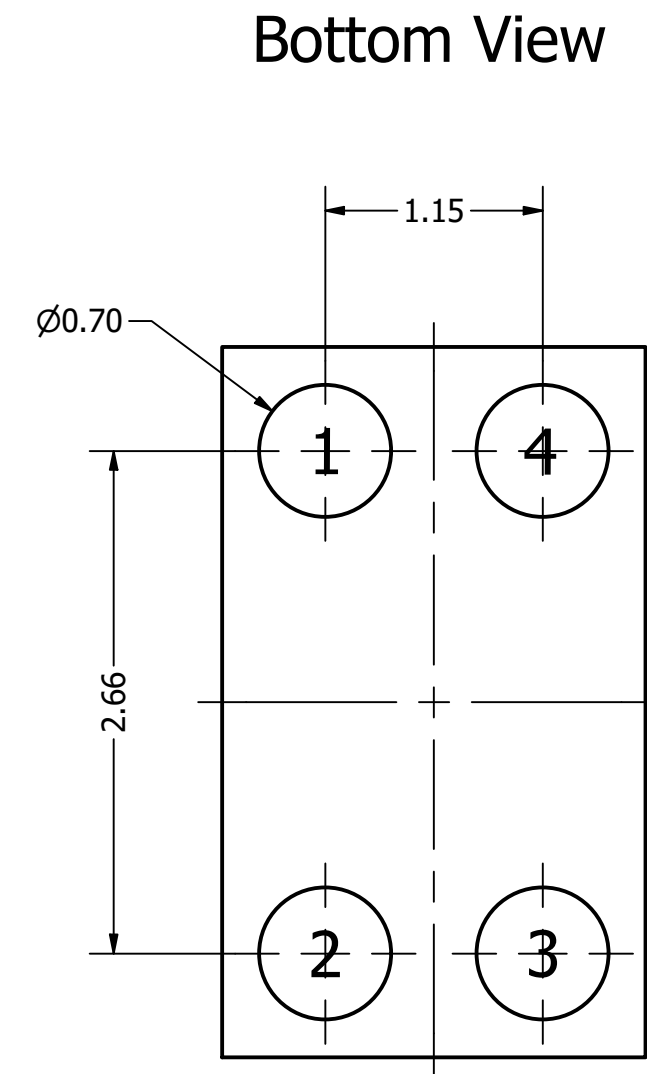
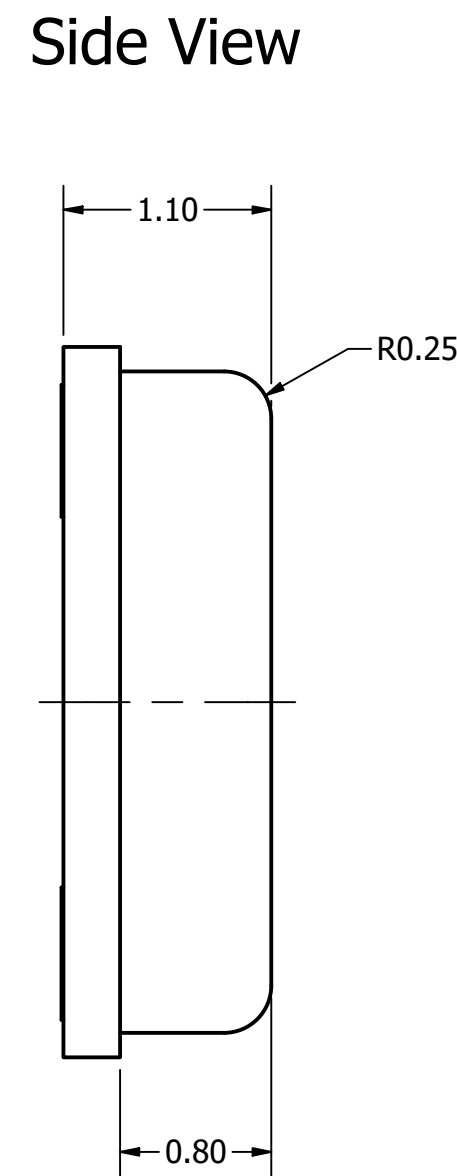
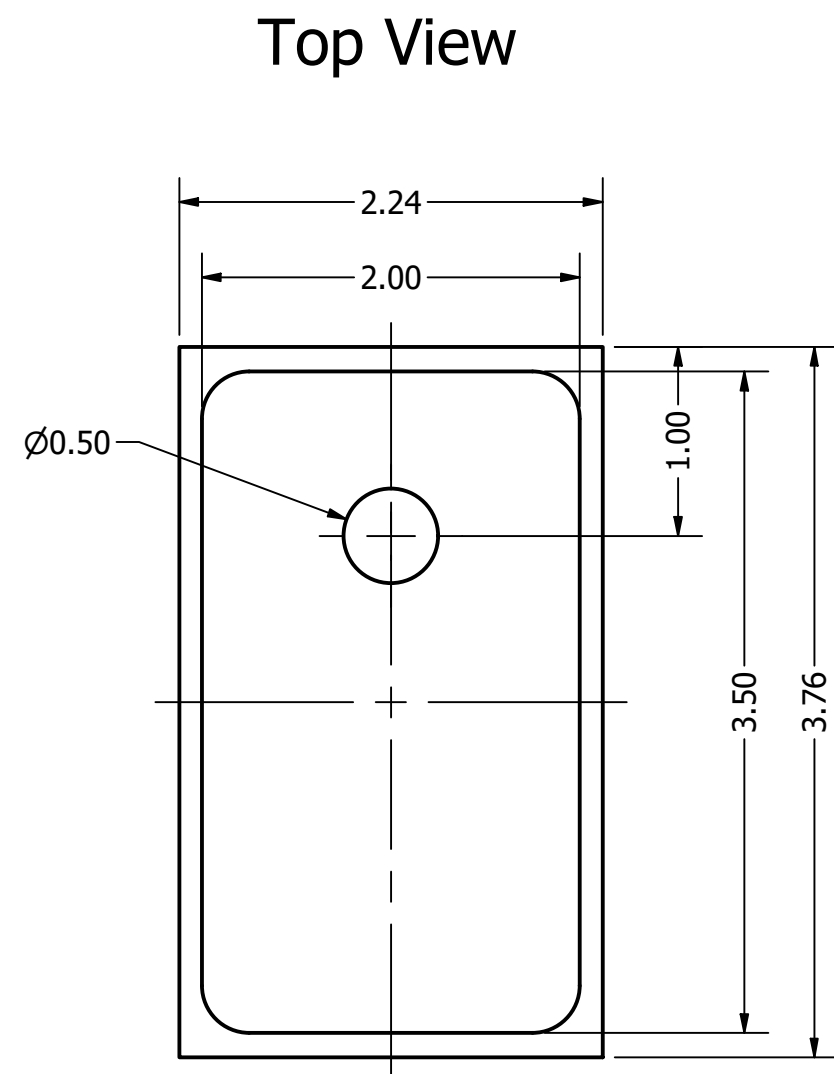




THE DATASHEET OF
MM034202-11



| | | |
|--|------------------------|-----------|
| Part Number: | MM034202-11 | |
| DRAWN | CJ | 7/25/2018 |
| CHECKED | C.H. | 8/16/2018 |
| Description: | Analog MEMS Microphone | |
| APPROVED | C.E. | 8/16/2018 |
| This document contains data proprietary to DB Unlimited. Any use or reproduction, in any form, without prior written permission of DB Unlimited is prohibited. All terms and conditions can be found at www.dbunlimitedco.com | | |



| | | | |
|-------|-------|-------|--------|
| Pin 1 | Pin 2 | Pin 3 | Pin 4 |
| VDD | GND | GND | OUTPUT |

| Items | Specifications | Conditions |
|------------------------|--------------------|------------|
| Directivity | Omnidirectional | |
| Sensitivity | -42 ± 1 | dB |
| Frequency Range | 100 ~ 10,000 | Hz |
| Rated Voltage | 2 | V |
| Voltage Range | 1.6 ~ 3.6 | V |
| Output Impedance | 300 | Ω |
| Max. Rated Current | 0.19 | mA |
| Power Supply Rejection | -72 | dB |
| Storage Temperature | -40 ~ +105 | °C |
| Operating Temperature | -40 ~ +105 | °C |
| Signal to Noise Ratio | 59 | dB |
| Mount Type | Surface Mount | |
| Connection Method | Surface Mount Pads | |

| REVISION HISTORY | | | |
|------------------|---------------------------|-----------|----------|
| REV | DESCRIPTION | DATE | APPROVED |
| | Released from Engineering | 8/16/2018 | C.E. |

| NOTES | |
|---|--|
| 1) All dimensions are in mm unless otherwise noted | |
| 2) All tolerances are ± 0.1 mm unless otherwise noted | |
| 3) All parts meet RoHS | |
| 4) Subject to change or redrawn without notice | |

Looking for pricing, stock, or lifecycle information?

Click below to explore more details on WIN SOURCE:

 [View MM034202-11 on WIN SOURCE](#)

 [DB Unlimited](#). Information

Optimize Your Supply Chain with WIN SOURCE Solutions

-  Global Sourcing Solution
-  Obsolete Management
-  Cost Control Management
-  Shortage Management
-  Alternative Solution
-  Excess Inventory Management