

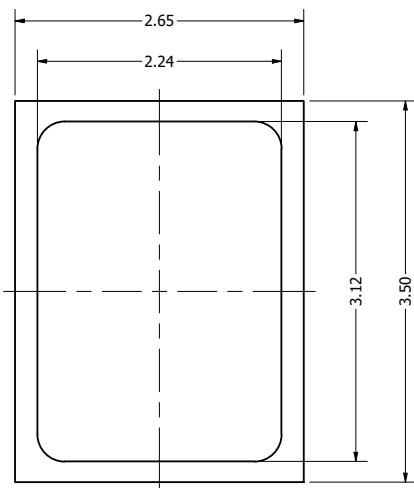


**THE DATASHEET OF
MM033802-5**

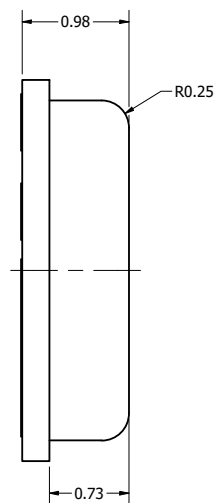


Part Number:	MM033802-5	
	DRAWN CJ	7/25/2018
Description:	Analog MEMS Microphone	
	CHECKED C.H.	8/16/2018
	APPROVED C.E.	8/16/2018
<small>This document contains data proprietary to DB Unlimited. Any use or reproduction, in any form, without prior written permission of DB Unlimited is prohibited. All terms and conditions can be found at www.dbunlimitedco.com</small>		

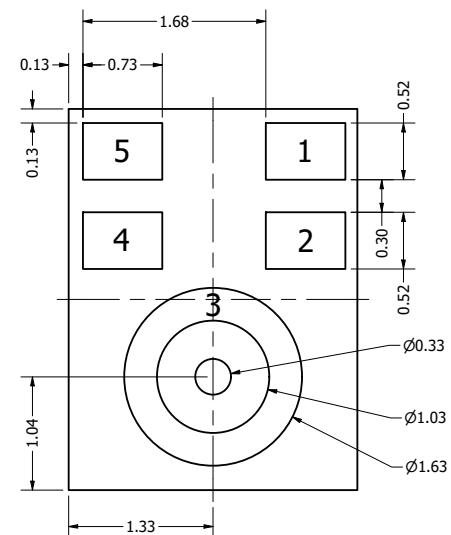
Top View



Side View



Bottom View



Pin 1	Pin 2	Pin 3	Pin 4	Pin 5
OUTPUT	GND	GND	GND	VDD

Items	Specifications	Conditions
Directivity	Omnidirectional	
Sensitivity	-38 ± 1	dB
Frequency Range	100 ~ 10,000	Hz
Rated Voltage	2	V
Voltage Range	1.6 ~ 3.6	V
Output Impedance	300	Ω
Max. Rated Current	0.18	mA
Power Supply Rejection	-72	dB
Storage Temperature	-40 ~ +105	°C
Operating Temperature	-40 ~ +105	°C
Signal to Noise Ratio	61	dB
Mount Type	Surface Mount	
Connection Method	Surface Mount Pads	

REVISION HISTORY

REV	DESCRIPTION	DATE	APPROVED
	Released from Engineering	8/16/2018	C.E.

NOTES

- 1) All dimensions are in mm unless otherwise noted
- 2) All tolerances are ± 0.1 mm unless otherwise noted
- 3) All parts meet RoHS
- 4) Subject to change or redrawn without notice

Looking for pricing, stock, or lifecycle information?

Click below to explore more details on WIN SOURCE:

 [View MM033802-5 on WIN SOURCE](#)

 [DB Unlimited](#). Information

Optimize Your Supply Chain with WIN SOURCE Solutions

-  Global Sourcing Solution
-  Obsolete Management
-  Cost Control Management
-  Shortage Management
-  Alternative Solution
-  Excess Inventory Management