



**THE DATASHEET OF  
ABM11-27.000MHZ-D2X-T3**



# CERAMICS SMD ULTRA MINIATURE QUARTZ CRYSTAL



ABM11

2.0 x 1.6 x 0.59mm

ABM11

RoHS/RoHS II Compliant

Moisture Sensitivity Level (MSL) – This product is Hermetically Sealed and not Moisture Sensitive - MSL = N/A: Not Applicable

## FEATURES:

- 2.0 x 1.6 x 0.59mm ultra miniature package.
- Suitable for RoHS compliant reflow.
- Seam sealed ceramic package with metal lid assures high precision and reliability.

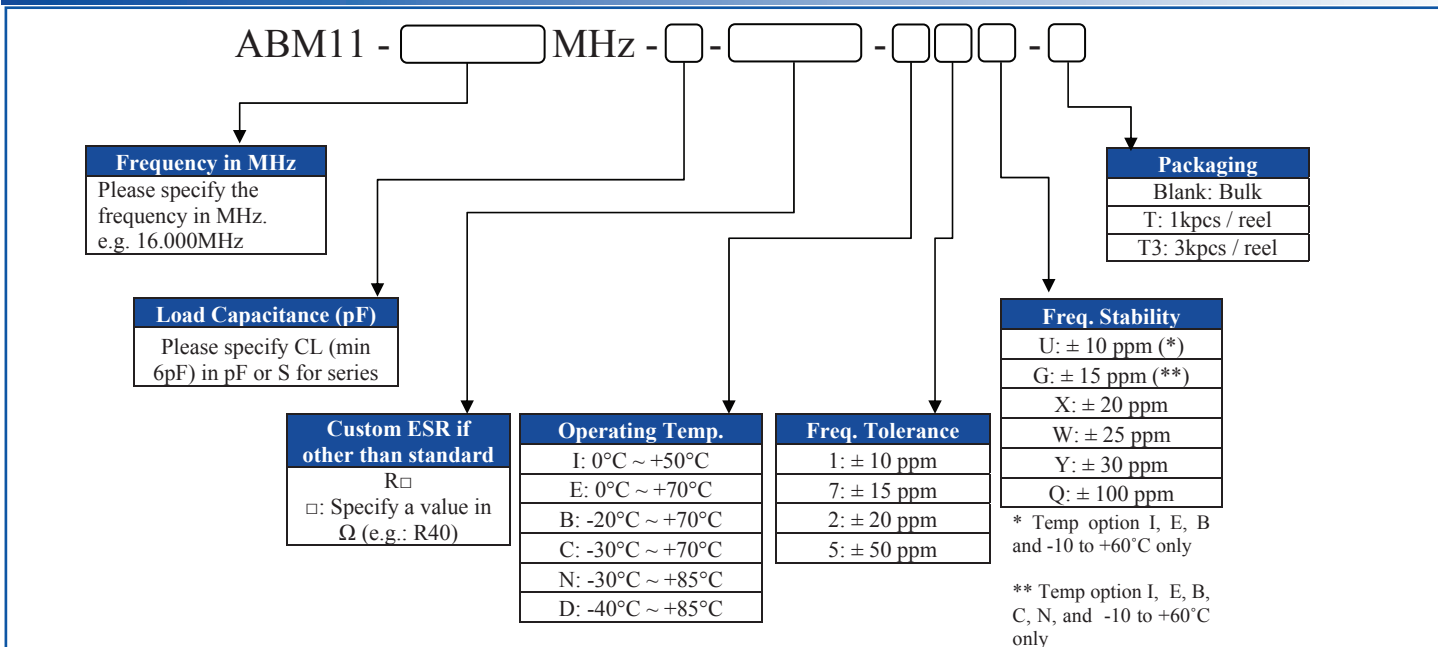
## APPLICATIONS:

- Cellular telephones, Pagers.
- Communication and Test equipment.
- High Density applications
- PCMCIA and wireless applications.

## STANDARD SPECIFICATIONS:

| Parameters  | Minimum     | Typical | Maximum | Units | Notes                                    |
|---|-------------|---------|---------|-------|--|
| Frequency Range   | 16.000      |         | 50.000  | MHz   |  |
| Operation Mode  | Fundamental |         |         |       |  |
| Operating Temperature   | -10         |         | +60     | °C    | See options                              |
| Storage Temperature   | -40         |         | +85     | °C    |  |
| Frequency Tolerance @+25°C  | -30         |         | +30     | ppm   | See options                              |
| Frequency Stability over the Operating Temperature ( ref. to +25°C) | -50         |         | +50     | ppm   | See options                              |
| Equivalent series resistance (R1)                                   |             |         | 150     | Ω     | 16.000~17.999MHz                         |
|   |             |         | 120     |       | 18.000~20.999MHz                         |
|   |             |         | 100     |       | 21.000~29.999 MHz                        |
|   |             |         | 80      |       | 30.000~37.999 MHz                        |
|   |             |         | 60      |       | 38.000~50.000 MHz                        |
| Shunt capacitance (C0)  |             |         | 7.0     | pF    |  |
| Load capacitance (CL)   | 10          |         |         | pF    | Standard (See options if other than STD) |
| Drive Level   |             | 10      | 100     | μW    |  |
| Aging   | -5          |         | +5      | ppm   | @25°C±3°C<br>First year                  |
| Insulation Resistance   | 500         |         |         | MΩ    | @ 100Vdc ± 15V                           |

## OPTIONS AND PART IDENTIFICATION: (Left blank if standard)



# CERAMICS SMD ULTRA MINIATURE QUARTZ CRYSTAL

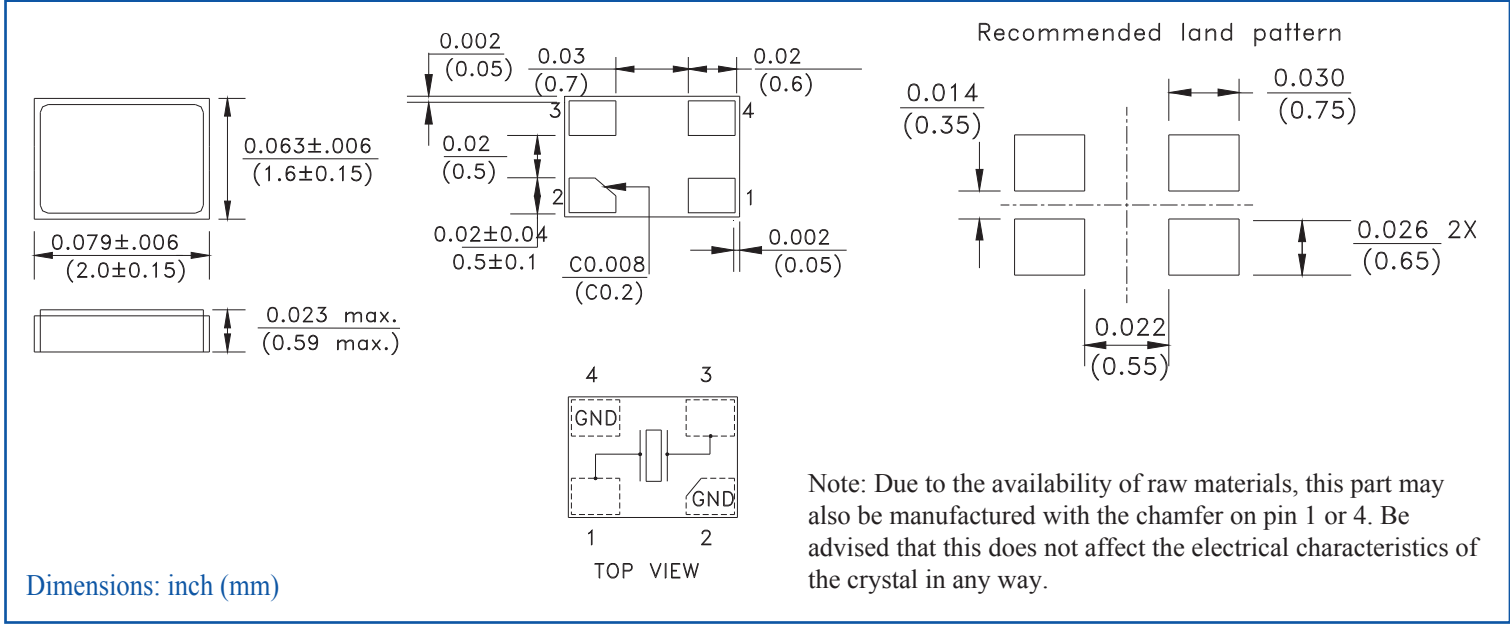


2.0 x 1.6 x 0.59mm

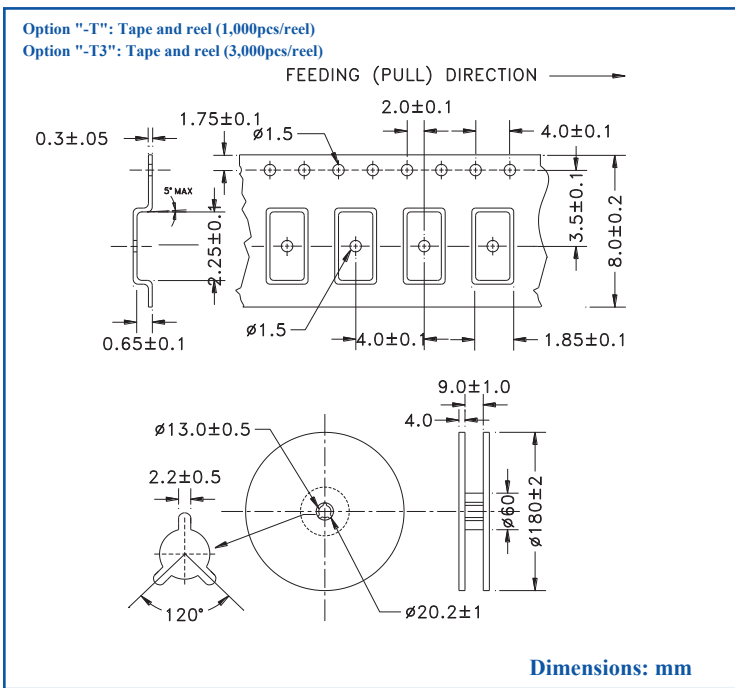
ABM11

RoHS/RoHS II Compliant

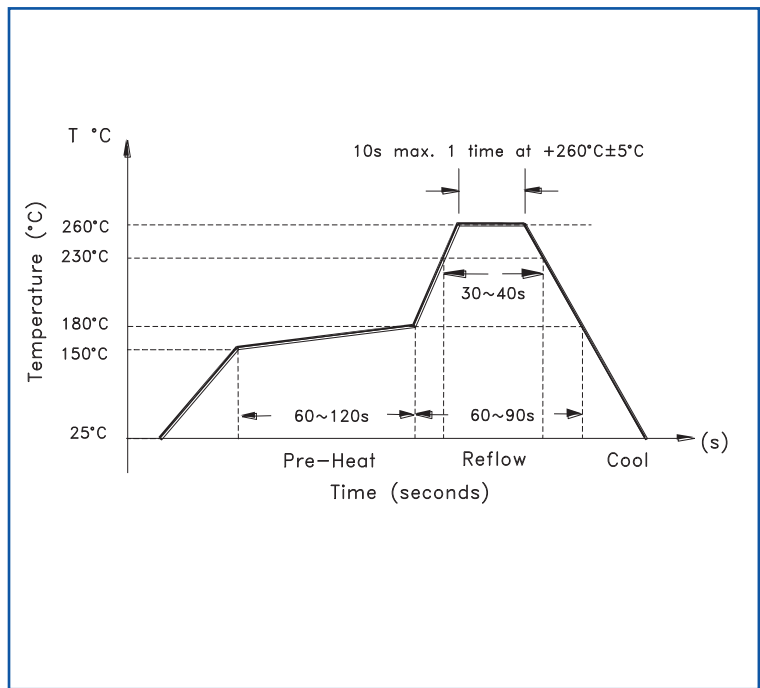
## OUTLINE DRAWING:



## TAPE & REEL:



## REFLOW PROFILE:



Need a test socket for the ABM11 Series? To view compatible **PRECISION TEST & BURN-IN SOCKETS** for these parts, [click here](#). P/N AXS-2016-04-04C

**ATTENTION:** Abracon Corporation's products are COTS – Commercial-Off-The-Shelf products; suitable for Commercial, Industrial and, where designated, Automotive Applications. Abracon's products are not specifically designed for Military, Aviation, Aerospace, Life-dependant Medical applications or any application requiring high reliability where component failure could result in loss of life and/or property. For applications requiring high reliability and/or presenting an extreme operating environment, written consent and authorization from Abracon Corporation is required. Please contact Abracon Corporation for more information.



ABRACON IS ISO 9001: 2008 CERTIFIED



2 Faraday, Suite# B | Irvine | CA 92618 Revised: 06.19.15  
Ph. 949.546.8000 | Fax. 949.546.8001  
Visit [www.abracon.com](http://www.abracon.com) for Terms and Conditions of Sale

## Looking for pricing, stock, or lifecycle information?

Click below to explore more details on WIN SOURCE:

-  [View ABM11-27.000MHZ-D2X-T3 on WIN SOURCE](#)
-  [Abracon LLC Information](#)

## Optimize Your Supply Chain with WIN SOURCE Solutions

-  Global Sourcing Solution
-  Obsolete Management
-  Cost Control Management
-  Shortage Management
-  Alternative Solution
-  Excess Inventory Management