



THE DATASHEET OF
1221310000



CH20M AD SHL 5.00/04 BK 2010

Weidmüller Interface GmbH & Co. KG

Klingenbergstraße 26

D-32758 Detmold

Germany

www.weidmueller.com

Product image



The perfect platform for function and innovation:

Innovative function electronics require intelligent "packages" in order to integrate perfectly in the system environment.

The ongoing development and consistent expansion of the Weidmüller electronics housing portfolio provides a secure platform for future electronics applications whatever the design or intended use. CAD data for PCBs is provided for all enclosures. Screw and tension clamp terminals are available for all connections.

The consistent synergy between design, connection system and functionality lays the perfect foundation stone for electronics systems designed in line with market and application requirements.

Function, shape and manufacturing quality combine into a single logical unit that provides maximum reliability and operating comfort for the user.

General ordering data

Version	Hood, OMNIMATE Housing - series CH20M black, Width: 22.5 mm
Order No.	1221310000
Type	CH20M AD SHL 5.00/04 BK 2010
GTIN (EAN)	4050118004830
Qty.	50 pc(s).

CH20M AD SHL 5.00/04 BK 2010

Weidmüller Interface GmbH & Co. KG

Klingenbergstraße 26

D-32758 Detmold

Germany

www.weidmueller.com

Technical data

Dimensions and weights

Height	23.5 mm	Height (inches)	0.925 inch
Width	22.5 mm	Width (inches)	0.886 inch
Length	15.1 mm	Length (inches)	0.594 inch
Net weight	1.61 g		

Temperatures

Operating temperature range	-40 °C...120 °C	Humidity	5 - 93% rel. humidity, Tu = 40°C, no condensation
-----------------------------	-----------------	----------	---

General data

Colour	black	Colour chart (similar)	RAL 9011
Encapsulation option	No	Protection degree	IP20 in installed state

Material data

Comparative Tracking Index (CTI)	600 ≤ CTI	Insulating material	PA 66 GF 30
Insulating material group	I		

Classifications

ETIM 6.0	EC001031	ETIM 7.0	EC001031
ETIM 8.0	EC001031	ECLASS 9.0	27-18-27-90
ECLASS 9.1	27-18-27-90	ECLASS 10.0	27-18-27-92
ECLASS 11.0	27-18-27-92	ECLASS 12.0	27-18-27-92

Approvals

ROHS	Conform
------	---------

Downloads

Engineering Data	CAD data – STEP
Engineering Data	EPLAN
Catalogues	Catalogues in PDF-format
Brochures	

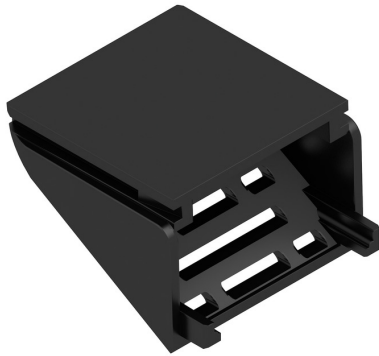
CH20M AD SHL 5.00/04 BK 2010

Weidmüller Interface GmbH & Co. KG
Klingenbergstraße 26
D-32758 Detmold
Germany

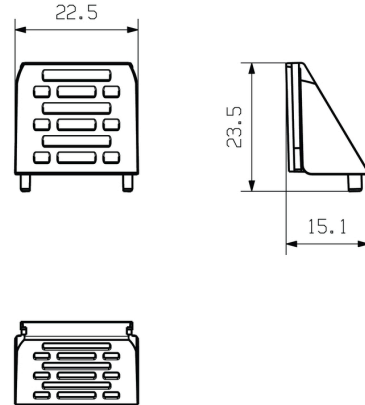
www.weidmueller.com

Drawings

Product image



Dimensioned drawing



Mouser Electronics

Authorized Distributor

Click to View Pricing, Inventory, Delivery & Lifecycle Information:

[Weidmuller:](#)

[1221310000](#)

Looking for pricing, stock, or lifecycle information?

Click below to explore more details on WIN SOURCE:

 [View 1221310000 on WIN SOURCE](#)

 [Weidmuller Information](#)

Optimize Your Supply Chain with WIN SOURCE Solutions

-  Global Sourcing Solution
-  Obsolete Management
-  Cost Control Management
-  Shortage Management
-  Alternative Solution
-  Excess Inventory Management