



**THE DATASHEET OF
CR8750-1000**

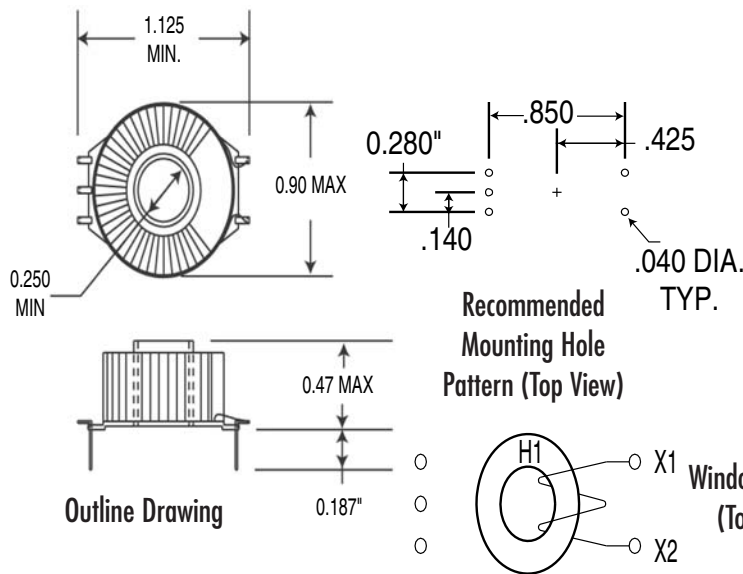


CR8750 Series



The **CR8750** Series, PCB Current Transformer provides a low cost method for monitoring electrical current. The transformer is intended to be mounted on a Printed Circuit Board with the current-carrying wire routed through the center window opening. A five-pin, non-symmetrical mounting pattern ensures correct orientation to the PCB. Two different winding ratios are available to accommodate various applications. The graph illustrates how different values of burden resistors attached to the output terminal will provide a number of different output voltage ranges.

PART NUMBERS	
PART NUMBER	TURNS
CR8750-230	230
CR8750-1000	1000



Applications

- Ammeters
- Energy Measurement
- Watt/VAR/Watthour measurement

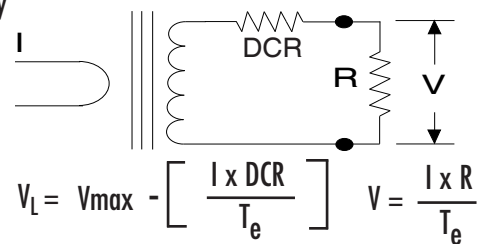
Features

- Low Cost
- Core secured via Epoxy Resin
- Hand Tuned Accuracy

Specifications

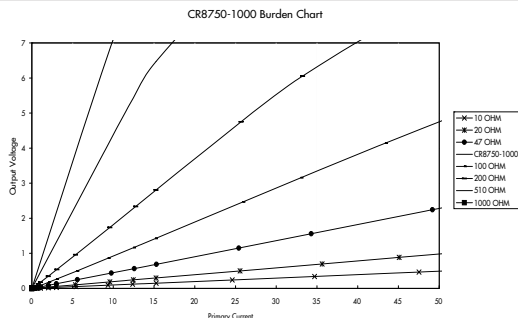
- Frequency: 50-60 Hz
- Case Material: Black thermoplastic
- Maximum Continuous Primary Current: 4 X Ir
- Insulation Voltage: 3500 Vac/1min

Regulatory Agencies



For best linearity, choose R such that $V < 0.8 V_L$

TYPICAL RESPONSE



BASIC SPECIFICATIONS					
Part Number	I _{max}	V _{max}	T _e (typ.)	DCR Ω	Frequency
CR8750-230	30	2	235	3	50 - 2KHz
CR8750-1000	60	6	1010	32	50 - 2KHz

I_{max} = Maximum AC Input Current to be linearly sensed V_{max} = Maximum VAC (Saturation) CT will develop

T_e = Effective turns ratio including losses (+/- 10%) (All Specifications tested at 60 Hz)

Looking for pricing, stock, or lifecycle information?

Click below to explore more details on WIN SOURCE:

 [View CR8750-1000 on WIN SOURCE](#)

 [CR Magnetics Inc. Information](#)

Optimize Your Supply Chain with WIN SOURCE Solutions

-  Global Sourcing Solution
-  Obsolete Management
-  Cost Control Management
-  Shortage Management
-  Alternative Solution
-  Excess Inventory Management