



# THE DATASHEET OF CR7SFT-122



# Commercial & Metering Class Current Transformers

## Current Transformers

F



RL



SFT



SFL



SHT



SHL



RT



RBT



RBL

The CR Magnetics line of Instrumentation Grade Electrical Current Transformers are available in either Commercial or ANSI Metering Class. The Commercial Class transformers are lower cost and well-suited for current monitoring applications. The ANSI Metering Class transformers are higher-cost units intended for power monitoring applications where high accuracy and minimum phase angle error are required. Twelve different window openings and eight different mounting styles along with numerous secondary ratios are available to meet most applications. This short form catalog shows an overview of our most popular 5 amp secondary transformers. Contact factory for different sizes or unique electrical requirements.

### Applications

Ammeters  
Energy Measurement  
Watt/VAR/Watthour Measurement  
Current Sensing Relays

### Features

Low Cost  
Core Secured via Epoxy Resin  
Hand Tuned Accuracy  
Common Ratios in Stock

### Regulatory Agencies



### BASIC SPECIFICATIONS

|                       |                         |
|-----------------------|-------------------------|
| Basic Accuracy        | 10% FS or Better (ANSI) |
| Thermal Drift         | 100 PPM/°C              |
| Operating Temperature | -20° C to +75° C        |
| Installation Category | CAT II                  |
| Pollution Degree      | 2                       |
| Insulation Voltage    | 3500 Vac/1min           |
| Frequency Range       | 50Hz - 400Hz            |
| Torque Spec on Studs  | 10 in/lb.               |

### CUSTOM OPTIONS

Ultra-Low Frequency to 20 Hz

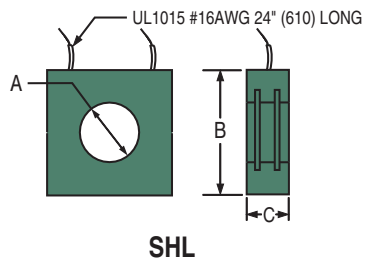
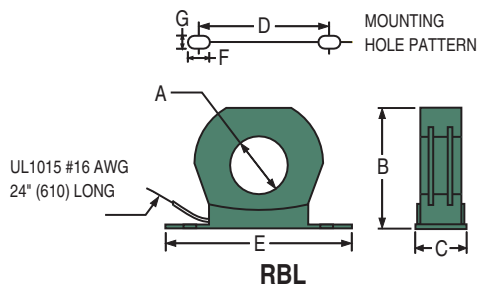
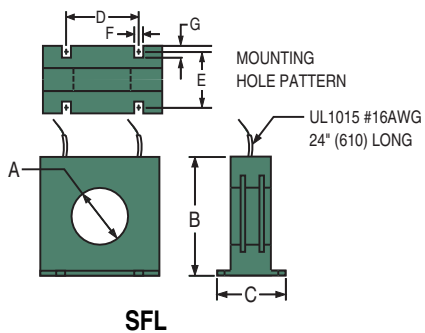
1.0, 0.2, and 0.1 Amp Secondary Ratios

# Commercial & ANSI Metering Class Current Transformers

## DIMENSIONS

Current Transformers

F



# Commercial Class Current Transformers

Current Transformers

F

| PART NUMBERS |       |              | DIMENSIONS     |                 |                |      |   |   |   | ACCURACY SPECIFICATIONS |                  |                    |              |                 |                |                |
|--------------|-------|--------------|----------------|-----------------|----------------|------|---|---|---|-------------------------|------------------|--------------------|--------------|-----------------|----------------|----------------|
| SERIES       | STYLE | RATIO SUFFIX | A              | B               | C              | D    | E | F | G | CURRENT RATIO           | ACCURACY AT 60HZ | BURDEN VA AT 60 HZ |              |                 |                |                |
| CR2          | RL    | 500          | 1.13<br>(28.7) | 2.46<br>(62.5)  | 1.05<br>(26.7) |      |   |   |   | 50:5                    | ± 3%             | 2.0                |              |                 |                |                |
|              |       | 600          |                |                 |                |      |   |   |   | 60:5                    | ± 2%             | 2.0                |              |                 |                |                |
|              |       | 750          |                |                 |                |      |   |   |   | 75:5                    | ± 2%             | 2.0                |              |                 |                |                |
|              | SFT   | 800          |                | 2.68<br>(68.1)  | 2.00<br>(50.8) |      |   |   |   | 1.75<br>(44.5)          | 1.75<br>(44.5)   | .27<br>(6.9)       | .31<br>(7.9) | 80:5            | ± 2%           | 2.0            |
|              |       | 101          |                | 2.68<br>(68.1)  | 2.00<br>(50.8) |      |   |   |   | 1.75<br>(44.5)          | 1.75<br>(44.5)   | .27<br>(6.9)       | .31<br>(7.9) | 100:5           | ± 1%           | 2.0            |
|              |       | 121          |                |                 |                |      |   |   |   |                         |                  |                    |              | 120:5           | ± 1%           | 2.5            |
|              | 1250  | 125:5        |                |                 |                |      |   |   |   |                         |                  |                    |              | ± 1%            | 2.5            |                |
|              | SHT   | 151          |                | 2.71<br>(68.8)  | 0.95<br>(24.1) |      |   |   |   |                         |                  |                    |              | 150:5           | ± 1%           | 4.0            |
|              |       | 201          |                | 2.71<br>(68.8)  | 0.95<br>(24.1) |      |   |   |   |                         |                  |                    |              | 200:5           | ± 1%           | 4.0            |
|              | SHL   | 251          |                |                 |                |      |   |   |   |                         |                  |                    |              |                 |                | 250:5          |
| 301          |       | 300:5        | ± 1%           | 8.0             |                |      |   |   |   |                         |                  |                    |              |                 |                |                |
| CR5          | RL    | 500          | 1.56<br>(39.6) | 3.56<br>(90.4)  | 1.10<br>(27.9) |      |   |   |   | 50:5                    | ± 2%             | 1.0                |              |                 |                |                |
|              |       | 750          |                | 3.78<br>(96.0)  | 2.2<br>(54.6)  |      |   |   |   | 2.75<br>(69.9)          | 1.77<br>(45.0)   | .21<br>(5.3)       | .31<br>(7.9) | 75:5            | ± 2%           | 1.5            |
|              | SFT   | 101          |                |                 |                |      |   |   |   |                         |                  |                    |              | 3.78<br>(96.0)  | 2.15<br>(54.6) | 2.75<br>(69.9) |
|              |       | 151          |                | 150:5           | ± 1%           |      |   |   |   | 5.0                     |                  |                    |              |                 |                |                |
|              | SFL   | 201          |                | 3.83<br>(97.3)  | 1.09<br>(27.7) |      |   |   |   |                         |                  |                    |              | 200:5           | ± 1%           | 5.0            |
|              |       | 251          |                |                 |                |      |   |   |   |                         |                  |                    |              | 250:5           | ± 1%           | 10.0           |
|              | SHT   | 301          |                | 3.83<br>(97.3)  | 1.09<br>(27.7) |      |   |   |   |                         |                  |                    |              | 300:5           | ± 1%           | 12.5           |
|              |       | 401          |                |                 |                |      |   |   |   |                         |                  |                    |              | 400:5           | ± 1%           | 12.5           |
|              | SHL   | 501          |                | 3.62<br>(91.9)  | 1.13<br>(28.7) |      |   |   |   |                         |                  |                    |              | 500:5           | ± 1%           | 20.0           |
|              |       | 601          |                |                 |                |      |   |   |   |                         |                  |                    |              | 600:5           | ± 1%           | 25.0           |
|              | RT    | 751          |                | 3.90<br>(99.1)  | 1.25<br>(31.8) |      |   |   |   | 3.88<br>(98.6)          | 4.50<br>(114.3)  | .44<br>(11.2)      | .27<br>(6.9) | 750:5           | ± 1%           | 25.0           |
|              |       | RBT*         |                |                 |                |      |   |   |   |                         |                  |                    |              | 801             | 800:5          | ± 1%           |
|              | RBL*  | 102          |                | 3.70<br>(94.0)  | 1.25<br>(31.8) |      |   |   |   | 3.88<br>(98.6)          | 4.50<br>(114.3)  | .44<br>(11.2)      | .27<br>(6.9) | 1000:5          | ± 1%           | 25.0           |
| 122          |       | 1200:5       | ± 1%           |                 |                | 30.0 |   |   |   |                         |                  |                    |              |                 |                |                |
| CR7          | RL    | 101          | 2.50<br>(63.5) | 4.70<br>(119.4) | 1.10<br>(27.4) |      |   |   |   | 100:5                   | ± 2%             | 2.5                |              |                 |                |                |
|              |       | 151          |                | 4.85<br>(123.2) | 2.13<br>(54.1) |      |   |   |   | 3.78<br>(96.0)          | 1.75<br>(44.5)   | .25<br>(6.4)       | .31<br>(7.9) | 150:5           | ± 1%           | 5.0            |
|              | SFT   | 201          |                |                 |                |      |   |   |   |                         |                  |                    |              | 4.85<br>(123.2) | 2.13<br>(54.1) | 3.78<br>(96.0) |
|              |       | 251          |                | 250:5           | ± 1%           |      |   |   |   | 5.0                     |                  |                    |              |                 |                |                |
|              | SFL   | 301          |                | 4.70<br>(119.4) | 1.10<br>(27.9) |      |   |   |   |                         |                  |                    |              | 300:5           | ± 1%           | 12             |
|              |       | 401          |                |                 |                |      |   |   |   |                         |                  |                    |              | 400:5           | ± 1%           | 15             |
|              | SHT   | 501          |                | 4.70<br>(119.4) | 1.10<br>(27.9) |      |   |   |   |                         |                  |                    |              | 500:5           | ± 1%           | 25             |
|              |       | 601          |                |                 |                |      |   |   |   |                         |                  |                    |              | 600:5           | ± 1%           | 30             |
|              | SHL   | 751          |                | 4.61<br>(117.1) | 1.10<br>(27.9) |      |   |   |   |                         |                  |                    |              | 750:5           | ± 1%           | 30             |
|              |       | 801          |                |                 |                |      |   |   |   |                         |                  |                    |              | 800:5           | ± 1%           | 35             |
|              | RT    | 102          |                | 4.94<br>(125.5) | 1.25<br>(31.8) |      |   |   |   | 5.75<br>(146.1)         | 6.5<br>(16.5)    | .28<br>(7.1)       | .28<br>(7.1) | 1000:5          | ± 1%           | 30             |
|              |       | RBT          |                |                 |                |      |   |   |   |                         |                  |                    |              | 122             | 1200:5         | ± 1%           |
|              | RBL   | 152          |                | 4.70<br>(125.5) | 1.25<br>(31.8) |      |   |   |   | 5.75<br>(146.1)         | 6.5<br>(16.5)    | .28<br>(7.1)       | .28<br>(7.1) | 1500:5          | ± 1%           | 40             |
| 162          |       | 1600:5       | ± 1%           |                 |                | 40   |   |   |   |                         |                  |                    |              |                 |                |                |

# Commercial Class Current Transformers

Current Transformers

F

| PART NUMBERS |       |              | DIMENSIONS     |                 |                 |                 |                 |                 |               | ACCURACY SPECIFICATIONS |                  |                    |      |
|--------------|-------|--------------|----------------|-----------------|-----------------|-----------------|-----------------|-----------------|---------------|-------------------------|------------------|--------------------|------|
| SERIES       | STYLE | RATIO SUFFIX | A              | B               | C               | D               | E               | F               | G             | CURRENT RATIO           | ACCURACY AT 60HZ | BURDEN VA AT 60 HZ |      |
| CR56         | RL    | 500          | 2.06<br>(52.3) | 3.50<br>(88.9)  | 1.09<br>(27.7)  | 2.70<br>(68.6)  | 1.70<br>(43.2)  | .21<br>(5.3)    | .31<br>(7.9)  | 50:5                    | ± 3%             | 2.0                |      |
|              |       | 750          |                |                 |                 |                 |                 |                 |               | 75:5                    | ± 1%             | 0.5                |      |
|              | SFT   | 101          |                |                 |                 |                 |                 |                 |               |                         | 100:5            | ± 1%               | 1.0  |
|              |       | 151          |                | 3.63<br>(92.2)  | 2.15<br>(54.6)  | 2.70<br>(68.6)  | 1.70<br>(43.2)  | .21<br>(5.3)    | .31<br>(7.9)  | 150:5                   | ± 1%             | 2.5                |      |
|              | SFL   | 201          |                |                 |                 |                 |                 |                 |               |                         | 200:5            | ± 1%               | 4.0  |
|              |       | 251          |                | 3.63<br>(92.2)  | 2.15<br>(54.6)  |                 |                 |                 |               |                         | 250:5            | ± 1%               | 6.0  |
|              | RT    | 301          |                |                 |                 |                 |                 |                 |               |                         | 300:5            | ± 1%               | 7.5  |
|              |       | 401          |                | 3.62<br>(91.9)  | 1.10<br>(27.9)  |                 |                 |                 |               |                         | 400:5            | ± 1%               | 10.0 |
|              | RBT   | 501          |                |                 |                 |                 |                 |                 |               |                         | 500:5            | ± 1%               | 12.5 |
|              |       | 601          |                |                 |                 |                 |                 |                 |               |                         | 600:5            | ± 1%               | 15.0 |
|              | RBL   | 751          |                | 3.90<br>(99.1)  | 1.25<br>(31.8)  | 3.88<br>(98.6)  | 4.50<br>(114.3) | .27<br>(6.9)    | .44<br>(11.2) |                         | 750:5            | ± 1%               | 7.0  |
|              |       | 801          |                |                 |                 |                 |                 |                 |               |                         | 800:5            | ± 1%               | 8.0  |
|              |       |              |                | 102             | 3.70<br>(94.0)  | 1.25<br>(31.8)  | 3.88<br>(98.6)  | 4.50<br>(114.3) | .27<br>(6.9)  | .44<br>(11.2)           | 1000:5           | ± 1%               | 10.0 |
|              |       |              |                | 122             |                 |                 |                 |                 |               |                         | 1200:5           | ± 1%               | 12.5 |
| CR76         | RL    | 201          | 3.00<br>(76.2) | 4.50<br>(114.3) | 1.09<br>(27.7)  |                 |                 |                 |               | 200:5                   | ± 1%             | 5.0                |      |
|              |       | 251          |                |                 |                 |                 |                 |                 |               | 250:5                   | ± 1%             | 5.0                |      |
|              | SFT   | 301          |                | 4.68<br>(128.9) | 2.08<br>(52.8)  | 3.70<br>(94.0)  | 1.75<br>(44.5)  | .25<br>(6.4)    | .31<br>(7.9)  | 300:5                   | ± 1%             | 6.0                |      |
|              |       | 401          |                |                 |                 |                 |                 |                 |               | 400:5                   | ± 1%             | 10.0               |      |
|              | SFL   | 501          |                |                 |                 |                 |                 |                 |               | 500:5                   | ± 1%             | 10.0               |      |
|              |       | 601          |                | 4.68<br>(118.9) | 2.08<br>(52.8)  | 3.70<br>(94.0)  | 1.75<br>(44.5)  | .25<br>(6.4)    | .31<br>(7.9)  | 600:5                   | ± 1%             | 10.0               |      |
|              | RT    | 751          |                |                 |                 |                 |                 |                 |               | 750:5                   | ± 1%             | 10.0               |      |
|              |       | 801          |                | 4.62<br>(117.3) | 1.10<br>(27.9)  |                 |                 |                 |               |                         | 800:5            | ± 1%               | 12.5 |
|              | RBT   | 102          |                |                 |                 |                 |                 |                 |               |                         | 1000:5           | ± 1%               | 10.0 |
|              |       | 122          |                | 4.94<br>(125.5) | 1.25<br>(31.8)  | 5.75<br>(146.1) | 6.50<br>(165.1) | .28<br>(7.1)    | .28<br>(7.1)  |                         | 1200:5           | ± 1%               | 10.0 |
|              | RBL   | 152          |                |                 |                 |                 |                 |                 |               |                         | 1500:5           | ± 1%               | 12.5 |
|              |       | 162          |                |                 |                 |                 |                 |                 |               |                         | 1600:5           | ± 1%               | 12.5 |
|              |       |              |                | 202             | 4.70<br>(119.4) | 1.25<br>(31.8)  | 5.75<br>(146.1) | 6.50<br>(165.1) | .28<br>(7.1)  | .28<br>(7.1)            | 2000:5           | ± 1%               | 15.0 |
|              | CR1A  | RL           |                | 500             | .64<br>(16.3)   | 1.99<br>(50.8)  | 1.25<br>(31.8)  |                 |               |                         |                  | 50:5               | ± 2% |
| 600          |       |              |                |                 |                 |                 |                 |                 |               | 60:5                    | ± 1%             | 2.0                |      |
| 750          |       |              |                |                 |                 |                 |                 |                 |               | 75:5                    | ± 1%             | 2.0                |      |
| 800          |       |              |                |                 |                 |                 |                 |                 |               | 80:5                    | ± 1%             | 2.0                |      |
| 101          |       |              |                |                 |                 |                 |                 |                 |               | 100:5                   | ± 1%             | 2.5                |      |
| 121          |       |              |                |                 |                 |                 |                 |                 |               | 120:5                   | ± 1%             | 3.0                |      |
| 1250         |       |              |                |                 |                 |                 |                 |                 |               | 125:5                   | ± 1%             | 3.0                |      |
| 151          |       |              |                |                 |                 |                 |                 |                 |               | 150:5                   | ± 1%             | 4.0                |      |
| 201          |       |              |                |                 |                 |                 |                 |                 |               | 200:5                   | ± 1%             | 5.0                |      |
| 251          |       |              |                |                 |                 |                 |                 |                 |               | 250:5                   | ± 1%             | 7.5                |      |

# ANSI Metering Class Current Transformers

## Current Transformers

## F

| PART NUMBERS |       |              | DIMENSIONS     |                 |                |   |   |   |   | ANSI METERING CLASS @ 60 HZ |      |      |      |      |      |
|--------------|-------|--------------|----------------|-----------------|----------------|---|---|---|---|-----------------------------|------|------|------|------|------|
| SERIES       | STYLE | RATIO SUFFIX | A              | B               | C              | D | E | F | G | CURRENT RATIO               | BO.1 | BO.2 | BO.5 | BO.9 | B1.8 |
| CR2DA        | RL    | 500          | 1.0<br>(25.4)  | 2.47<br>(62.7)  | 1.75<br>(44.5) |   |   |   |   | 50:5                        | 4.8  | -    | -    | -    | -    |
|              |       | 600          |                |                 |                |   |   |   |   | 60:5                        | 1.2  | 4.8  | -    | -    | -    |
|              |       | 750          |                |                 |                |   |   |   |   | 75:5                        | 1.2  | 2.4  | -    | -    | -    |
|              |       | 800          |                |                 |                |   |   |   |   | 80:5                        | 1.2  | 2.4  | 4.8  | -    | -    |
|              |       | 101          |                |                 |                |   |   |   |   | 100:5                       | 1.2  | 2.4  | 4.8  | -    | -    |
|              |       | 121          |                |                 |                |   |   |   |   | 120:5                       | 1.2  | 2.4  | 2.4  | 4.8  | -    |
|              |       | 1250         |                |                 |                |   |   |   |   | 125:5                       | 0.6  | 1.2  | 2.4  | 4.8  | -    |
|              |       | 151          |                |                 |                |   |   |   |   | 150:5                       | 0.6  | 0.6  | 1.2  | 2.4  | 4.8  |
|              |       | 201          |                |                 |                |   |   |   |   | 200:5                       | 0.3  | 0.3  | 1.2  | 1.2  | 2.4  |
|              |       | 251          |                |                 |                |   |   |   |   | 250:5                       | 0.3  | 0.3  | 0.6  | 1.2  | 2.4  |
|              |       | 301          |                |                 |                |   |   |   |   | 300:5                       | 0.3  | 0.3  | 0.6  | 0.6  | 1.2  |
| CR5A         | RL    | 500          | 1.56<br>(39.6) | 3.56<br>(90.4)  | 1.10<br>(27.9) |   |   |   |   | 50:5                        | 4.8  | -    | -    | -    | -    |
|              |       | 101          |                |                 |                |   |   |   |   | 100:5                       | 2.4  | 4.8  | -    | -    | -    |
|              |       | 151          |                |                 |                |   |   |   |   | 150:5                       | 0.6  | 1.2  | 2.4  | 4.8  | -    |
|              | SFT   | 201          |                | 200:5           | 0.6            |   |   |   |   | 0.6                         | 1.2  | 2.4  | 4.8  |      |      |
|              |       | 251          |                | 250:5           | 0.6            |   |   |   |   | 0.6                         | 1.2  | 2.4  | 2.4  |      |      |
|              |       | 301          |                | 300:5           | 0.3            |   |   |   |   | 0.3                         | 0.6  | 1.2  | 2.4  |      |      |
|              | SFL   | 401          |                | 400:5           | 0.3            |   |   |   |   | 0.3                         | 0.6  | 1.2  | 1.2  |      |      |
|              |       | 501          |                | 500:5           | 0.3            |   |   |   |   | 0.3                         | 0.6  | 0.6  | 1.2  |      |      |
|              | SHT   | 601          |                | 600:5           | 0.3            |   |   |   |   | 0.3                         | 0.3  | 0.6  | 1.2  |      |      |
|              |       | 751          |                | 750:5           | 0.3            |   |   |   |   | 0.3                         | 0.3  | 0.6  | 0.6  |      |      |
|              |       | 801          |                | 800:5           | 0.3            |   |   |   |   | 0.3                         | 0.3  | 0.6  | 0.6  |      |      |
|              | SHL   | 102          |                | 1000:5          | 0.3            |   |   |   |   | 0.3                         | 0.3  | 0.3  | 0.6  |      |      |
|              |       | 122          |                | 1200:5          | 0.3            |   |   |   |   | 0.3                         | 0.3  | 0.3  | 0.3  |      |      |
|              |       |              |                |                 |                |   |   |   |   |                             |      |      |      |      |      |
|              |       |              |                |                 |                |   |   |   |   |                             |      |      |      |      |      |
| CR6A         | RL    | 101          | 2.06<br>(52.3) | 4.08<br>(103.6) | 1.10<br>(27.9) |   |   |   |   | 100:5                       | 1.2  | 2.4  | -    | -    | -    |
|              |       | 151          |                |                 |                |   |   |   |   | 150:5                       | 1.2  | 1.2  | 2.4  | 4.8  | -    |
|              |       | 201          |                |                 |                |   |   |   |   | 200:5                       | 0.6  | 1.2  | 2.4  | 2.4  | 4.8  |
|              | SFT   | 251          |                | 250:5           | 0.3            |   |   |   |   | 0.6                         | 1.2  | 2.4  | 4.8  |      |      |
|              |       | 301          |                | 300:5           | 0.3            |   |   |   |   | 0.3                         | 1.2  | 2.4  | 2.4  |      |      |
|              |       | 401          |                | 400:5           | 0.3            |   |   |   |   | 0.3                         | 0.6  | 1.2  | 1.2  |      |      |
|              | SFL   | 501          |                | 500:5           | 0.3            |   |   |   |   | 0.3                         | 0.6  | 1.2  | 1.2  |      |      |
|              |       | 601          |                | 600:5           | 0.3            |   |   |   |   | 0.3                         | 0.6  | 0.6  | 1.2  |      |      |
|              |       | 751          |                | 750:5           | 0.3            |   |   |   |   | 0.3                         | 0.3  | 0.6  | 1.2  |      |      |
|              | SHT   | 801          |                | 800:5           | 0.3            |   |   |   |   | 0.3                         | 0.3  | 0.6  | 0.6  |      |      |
|              |       | 102          |                | 1000:5          | 0.3            |   |   |   |   | 0.3                         | 0.3  | 0.3  | 0.6  |      |      |
|              |       | 122          |                | 1200:5          | 0.3            |   |   |   |   | 0.3                         | 0.3  | 0.3  | 0.3  |      |      |
|              | SHL   | 152          |                | 1500:5          | 0.3            |   |   |   |   | 0.3                         | 0.3  | 0.3  | 0.3  |      |      |
|              |       |              |                |                 |                |   |   |   |   |                             |      |      |      |      |      |
|              |       |              |                |                 |                |   |   |   |   |                             |      |      |      |      |      |

# ANSI Metering Class Current Transformers

Current Transformers

F

| PART NUMBERS |       |              | DIMENSIONS     |                 |                 |                |                |              |              | ANSI METERING CLASS @ 60 HZ |                |                |                |              |              |       |
|--------------|-------|--------------|----------------|-----------------|-----------------|----------------|----------------|--------------|--------------|-----------------------------|----------------|----------------|----------------|--------------|--------------|-------|
| SERIES       | STYLE | RATIO SUFFIX | A              | B               | C               | D              | E              | F            | G            | CURRENT RATIO               | BO.1           | BO.2           | BO.5           | BO.9         | B1.8         |       |
| CR7A         | RL    | 101          | 2.50<br>(63.5) | 4.70<br>(119.4) | 1.10<br>(27.9)  | 3.78<br>(96.0) | 1.75<br>(44.5) | .25<br>(6.4) | .31<br>(7.9) | 100:5                       | 1.2            | 4.8            | -              | -            | -            |       |
|              |       | 151          |                | 150:5           | 0.6             |                |                |              |              | 1.2                         | 4.8            | 4.8            | -              |              |              |       |
|              |       | 201          |                | 200:5           | 0.6             |                |                |              |              | 1.2                         | 2.4            | 4.8            | 4.8            |              |              |       |
|              | SFT   | 251          |                | 4.85<br>(123.2) | 2.13<br>(54.1)  |                |                |              |              | 250:5                       | 0.3            | 0.6            | 1.2            | 2.4          | 4.8          |       |
|              |       | 301          |                | 300:5           | 0.3             |                |                |              |              | 0.3                         | 1.2            | 2.4            | 2.4            |              |              |       |
|              |       | 401          |                | 400:5           | 0.3             |                |                |              |              | 0.3                         | 0.6            | 1.2            | 2.4            |              |              |       |
|              | SFL   | 501          |                | 4.85<br>(123.2) | 2.13<br>(54.1)  |                |                |              |              | 500:5                       | 0.3            | 0.3            | 0.6            | 1.2          | 1.2          |       |
|              |       | 601          |                | 600:5           | 0.3             |                |                |              |              | 0.3                         | 0.6            | 0.6            | 1.2            |              |              |       |
|              |       | 751          |                | 750:5           | 0.3             |                |                |              |              | 0.3                         | 0.6            | 0.6            | 0.6            |              |              |       |
|              | SHT   | 801          |                | 4.70<br>(119.4) | 1.10<br>(27.9)  |                |                |              |              | 800:5                       | 0.3            | 0.3            | 0.3            | 0.6          | 0.6          |       |
|              |       | 102          |                | 1000:5          | 0.3             |                |                |              |              | 0.3                         | 0.3            | 0.6            | 0.6            |              |              |       |
|              |       | 122          |                | 1200:5          | 0.3             |                |                |              |              | 0.3                         | 0.3            | 0.3            | 0.6            |              |              |       |
|              | SHL   | 152          |                | 1500:5          | 0.3             |                |                |              |              | 0.3                         | 0.3            | 0.3            | 0.3            |              |              |       |
|              |       | 162          |                | 1600:5          | 0.3             |                |                |              |              | 0.3                         | 0.3            | 0.3            | 0.3            |              |              |       |
|              |       |              |                | 1600:5          | 0.3             |                |                |              |              | 0.3                         | 0.3            | 0.3            | 0.3            |              |              |       |
|              | CR8   | RL           |                | 201             | 3.25<br>(82.6)  |                |                |              |              | 5.73<br>(145.5)             | 1.15<br>(29.2) | 3.78<br>(96.0) | 1.75<br>(44.5) | .25<br>(6.4) | .31<br>(7.9) | 200:5 |
| 251          |       |              | 250:5          | 0.6             |                 | 0.6            | 1.2            | 2.4          | 4.8          |                             |                |                |                |              |              |       |
| 301          |       |              | 300:5          | 0.6             |                 | 0.6            | 1.2            | 2.4          | 2.4          |                             |                |                |                |              |              |       |
| 401          |       |              | 400:5          | 0.3             |                 | 0.3            | 0.6            | 1.2          | 2.4          |                             |                |                |                |              |              |       |
| 501          |       |              | 500:5          | 0.3             |                 | 0.3            | 0.6            | 0.6          | 1.2          |                             |                |                |                |              |              |       |
| 601          |       |              | 600:5          | 0.3             |                 | 0.3            | 0.6            | 0.6          | 1.2          |                             |                |                |                |              |              |       |
| 751          |       |              | 750:5          | 0.3             |                 | 0.3            | 0.3            | 0.6          | 1.2          |                             |                |                |                |              |              |       |
| 801          |       |              | 800:5          | 0.3             |                 | 0.3            | 0.3            | 0.6          | 0.6          |                             |                |                |                |              |              |       |
| SHT          |       |              | 102            | 5.73<br>(145.5) |                 | 1.15<br>(29.2) | 1000:5         | 0.3          | 0.3          | 0.3                         | 0.3            |                |                |              |              | 0.6   |
|              |       |              | 122            | 1200:5          |                 | 0.3            | 0.3            | 0.3          | 0.3          | 0.3                         |                |                |                |              |              |       |
|              |       | 152          | 1500:5         | 0.3             |                 | 0.3            | 0.3            | 0.3          | 0.3          |                             |                |                |                |              |              |       |
|              |       | 162          | 1600:5         | 0.3             |                 | 0.3            | 0.3            | 0.3          | 0.3          |                             |                |                |                |              |              |       |
|              |       | 202          | 2000:5         | 0.3             |                 | 0.3            | 0.3            | 0.3          | 0.3          |                             |                |                |                |              |              |       |
|              |       | 252          | 2500:5         | 0.3             |                 | 0.3            | 0.3            | 0.3          | 0.3          |                             |                |                |                |              |              |       |
| SHL          |       | 302          | 3000:5         | 0.3             |                 | 0.3            | 0.3            | 0.3          | 0.3          |                             |                |                |                |              |              |       |
|              |       | 322          | 3200:5         | 0.3             |                 | 0.3            | 0.3            | 0.3          | 0.3          |                             |                |                |                |              |              |       |
|              | 402   | 4000:5       | 0.3            | 0.3             | 0.3             | 0.3            | 0.3            |              |              |                             |                |                |                |              |              |       |
|              |       | 3200:5       | 0.3            | 0.3             | 0.3             | 0.3            | 0.3            |              |              |                             |                |                |                |              |              |       |
|              |       | 4000:5       | 0.3            | 0.3             | 0.3             | 0.3            | 0.3            |              |              |                             |                |                |                |              |              |       |
|              |       | 4000:5       | 0.3            | 0.3             | 0.3             | 0.3            | 0.3            |              |              |                             |                |                |                |              |              |       |
| CR170        | RL    | 201          | 4.25<br>(108)  | 6.73<br>(170.9) | 1.25<br>(31.8)  | 3.78<br>(96.0) | 1.75<br>(44.5) | .25<br>(6.4) | .31<br>(7.9) | 200:5                       | 0.6            | 1.2            | 2.4            | -            | -            |       |
|              |       | 251          |                | 250:5           | 0.6             |                |                |              |              | 0.6                         | 1.2            | 2.4            | -              |              |              |       |
|              |       | 301          |                | 300:5           | 0.6             |                |                |              |              | 0.6                         | 1.2            | 2.4            | -              |              |              |       |
|              |       | 401          |                | 400:5           | 0.3             |                |                |              |              | 0.3                         | 0.6            | 1.2            | 2.4            |              |              |       |
|              |       | 501          |                | 500:5           | 0.3             |                |                |              |              | 0.3                         | 0.6            | 1.2            | 1.2            |              |              |       |
|              |       | 601          |                | 600:5           | 0.3             |                |                |              |              | 0.3                         | 0.6            | 0.6            | 1.2            |              |              |       |
|              |       | 751          |                | 750:5           | 0.3             |                |                |              |              | 0.3                         | 0.3            | 0.3            | 0.6            |              |              |       |
|              |       | SHT          |                | 801             | 6.73<br>(170.9) |                |                |              |              | 1.28<br>(32.5)              | 800:5          | 0.3            | 0.3            | 0.3          | 0.3          | 0.6   |
|              | 102   |              |                | 1000:5          | 0.3             |                |                |              |              | 0.3                         | 0.3            | 0.3            | 0.6            |              |              |       |
|              | 122   |              |                | 1200:5          | 0.3             |                |                |              |              | 0.3                         | 0.3            | 0.3            | 0.6            |              |              |       |
|              | 152   |              |                | 1500:5          | 0.3             |                |                |              |              | 0.3                         | 0.3            | 0.3            | 0.6            |              |              |       |
|              | 162   |              |                | 1600:5          | 0.3             |                |                |              |              | 0.3                         | 0.3            | 0.3            | 0.6            |              |              |       |
|              | 202   |              |                | 2000:5          | 0.3             |                |                |              |              | 0.3                         | 0.3            | 0.3            | 0.3            |              |              |       |
|              | 252   |              |                | 2500:5          | 0.3             |                |                |              |              | 0.3                         | 0.3            | 0.3            | 0.3            |              |              |       |
|              | 302   |              |                | 3000:5          | 0.3             |                |                |              |              | 0.3                         | 0.3            | 0.3            | 0.3            |              |              |       |
|              | SHL   | 322          |                | 6.73<br>(170.9) | 1.28<br>(32.5)  |                |                |              |              | 3200:5                      | 0.3            | 0.3            | 0.3            | 0.3          |              |       |
| 402          |       | 4000:5       | 0.3            | 0.3             | 0.3             | 0.3            | 0.3            |              |              |                             |                |                |                |              |              |       |
|              |       | 3200:5       | 0.3            | 0.3             | 0.3             | 0.3            | 0.3            |              |              |                             |                |                |                |              |              |       |
|              |       | 4000:5       | 0.3            | 0.3             | 0.3             | 0.3            | 0.3            |              |              |                             |                |                |                |              |              |       |

## Looking for pricing, stock, or lifecycle information?

Click below to explore more details on WIN SOURCE:

 [View CR7SFT-122 on WIN SOURCE](#)

 [CR Magnetics Inc. Information](#)

## Optimize Your Supply Chain with WIN SOURCE Solutions

-  Global Sourcing Solution
-  Obsolete Management
-  Cost Control Management
-  Shortage Management
-  Alternative Solution
-  Excess Inventory Management