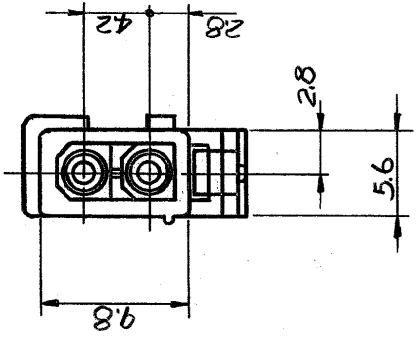
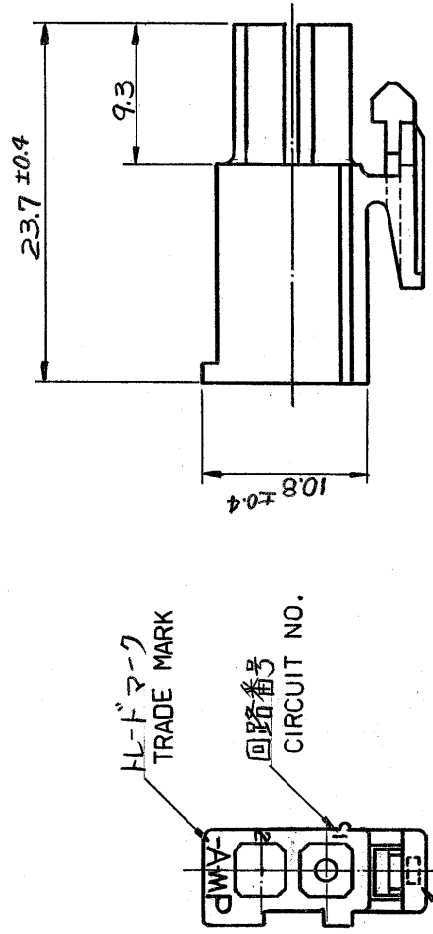




**THE DATASHEET OF
172336-1**





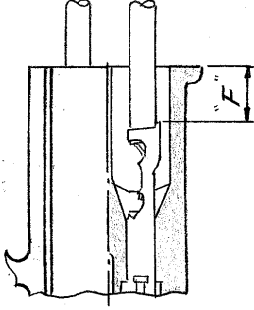
NOTES:

- 1, APPLIED CONTACT P/N : 170359,170360,170361,170362,171636,171637
- 2, MATING CONN : CAP HOUSING P/N 172328
- 3, INSTRUCTION SHEET : IS-105J.
- 4, PRODUCT SPEC : 108-5151

△ OBSOLETE PARTS: OBSOLETE CIS STREAMLINING PER D.RENAUD/D.SINISI

注:

- 1. 使用端子型番は 170359, 170360, 170361, 170362, 171636, 171637.
- 2. 取合相手ハウジング型番は 172328
- 3. 取扱説明書 : IS-105J
- 4. 適用製品仕様書 : 108-5151
- 5. 端子とハウジングの端面までの絶縁特異 (F) は下記参照.



"F" mm	端子型番
3.2	170359 ~ 170362
2.5	171636, 171637

単位: 概 DIMENSIONS IN MM. DO NOT SCALE PRINT

C3	REVISIED PER ECR-16-010553	BW	SG
LTR.	変更 (REVISION RECORD)	DR.	CHK.
			DATE

PRINT DIST

材料 (MATERIAL)	一般公	TOL
	6/6 +10mm (UL94V-2)	EXC
	(NYLON 6/6 UL94V-2)	(AS N
仕上 (FINISH)	DR.	CHK.
色 ; 表参照	DE	APR.
HOUSING : SEE TABLE		
COLOR		

Looking for pricing, stock, or lifecycle information?

Click below to explore more details on WIN SOURCE:

[View 172336-1 on WIN SOURCE](#)

[TE Connectivity Information](#)

Optimize Your Supply Chain with WIN SOURCE Solutions

- ✓ Global Sourcing Solution
- ✓ Obsolete Management
- ✓ Cost Control Management
- ✓ Shortage Management
- ✓ Alternative Solution
- ✓ Excess Inventory Management