



**THE DATASHEET OF  
CR6620-100**



# Frequency Transducer

DIN RAIL / PANEL MOUNT

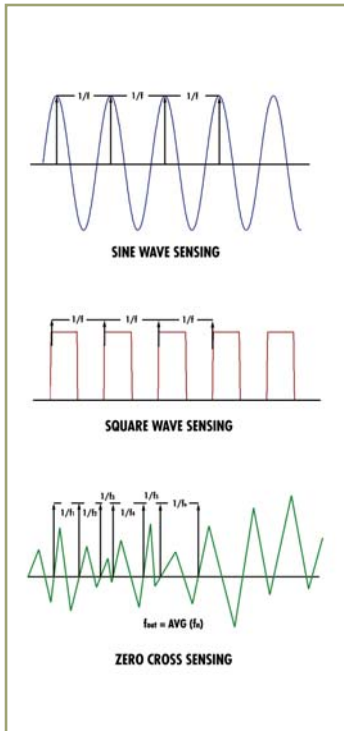
The **CR6600** Series, Frequency Transducers and Transmitters are designed to give a DC output that is proportional to an input frequency value. These devices are especially suited to variable frequency systems.



CR6610  
CR6611  
CR6612

CR6620  
CR6621  
CR6622

40 - 5000 Hz Input Range



## Applications

Outputs isolated from inputs  
Ranges available for any application Sine, square and zero crossover waveforms  
35 DIN rail or panel mount  
Connection diagram printed on case

## Features

35mm DIN Rail or Panel Mount  
Available with 0 - 5 VDC, 0 - 10, or 4 - 20 mA DC output  
24 VDC powered  
Red LED Active Indication  
Highest precision available  
Connection diagram printed on case

## Regulatory Agencies

Constructed to meet UL 61010B-1  
Constructed to meet CAN/CSA-C22.2, No. 61010-1-2004  
Meets requirement of IEC 61010-1 and BS EN 61010-1



**E199795**

Custom calibrations of unique full scale and zero scale values including parametric measurements are available. Contact factory for details.

Add suffix for input range

PART NUMBERS			
CR6610	-		Sine wave sensing with 0 - 5 VDC Output
CR6611	-		Square wave sensing with 0 - 5 VDC Output
CR6612	-		Zero crossover sensing with 0 - 5 VDC Output
CR6620	-		Sine wave sensing with 4 - 20 mADC Output
CR6621	-		Square wave sensing with 4 - 20 mADC Output
CR6622	-		Zero crossover sensing with 4 - 20 mADC Output

**100** - 0-100 Hz  
**500** - 0-500 Hz  
**5000** - 0-5000 Hz  
other ranges available

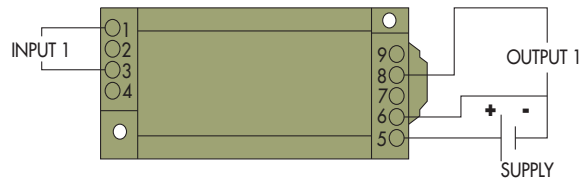
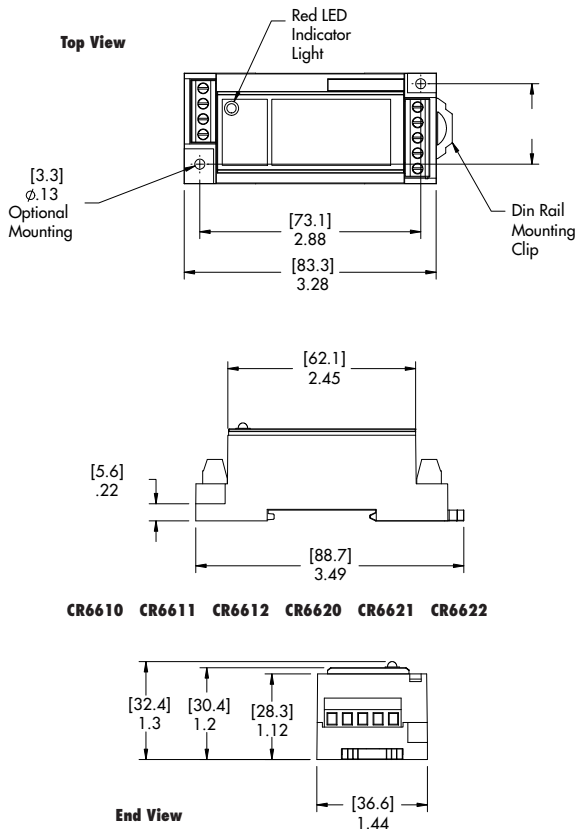
# Frequency Transducer

## DIN RAIL / PANEL MOUNT

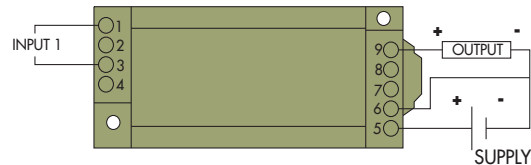
### SPECIFICATIONS

Basic Accuracy:.....	0.5%	Output Load:.....	4-20 mADC -0 to 500 Ω
Linearity:.....	10% to 100% FS		0-5 VDC - 2K Ω or Greater
Thermal Drift:.....	500 PPM/°C	Cleaning:.....	Water-dampened cloth
Operating Temperature:.....	0°C to +60°C	Relative Humidity:.....	5% to 95%, Non-Condensing
Installation Category:.....	CAT II	Input Voltage:.....	20 to 250 V Peak, (other voltage ranges available)
Vibration Tested To:.....	IEC 60068-2-6,1995	Supply Current:	
Pollution Degree:.....	2	CR6610:.....	Typical 30mA Max 40mA
Response Time: .....	250 ms max. 0-90% FS	CR6620:.....	Typical 50mA Max 95mA
Supply Voltage:.....	24 VDC	Torque Specs.:.....	3.0 inch lbs. (0.4Nm)
MTBF:.....	Greater than 100 K hours	Weight:.....	0.5 lbs.
Frequency Range:.....	0 Hz - 2kHz, sine wave		
Insulation Voltage:.....	2500 VDC		
Altitude:.....	2000 meter max.		

Transducers



- CR6610** 0 - 5 VDC Output
- CR6611** 0 - 5 VDC Output
- CR6612** 0 - 5 VDC Output



- CR6620** 4 - 20 mADC Output
- CR6621** 4 - 20 mADC Output
- CR6622** 4 - 20 mADC Output

### OUTLINE DRAWING

### CONNECTION DIAGRAM

NOTE: The building installation must have a switch or circuit-breaker that is in close proximity and within easy reach of the operator. The switch or circuit breaker shall be marked as the disconnecting device for the equipment.

## Looking for pricing, stock, or lifecycle information?

Click below to explore more details on WIN SOURCE:

 [View CR6620-100 on WIN SOURCE](#)

 [CR Magnetics Inc. Information](#)

## Optimize Your Supply Chain with WIN SOURCE Solutions

-  Global Sourcing Solution
-  Obsolete Management
-  Cost Control Management
-  Shortage Management
-  Alternative Solution
-  Excess Inventory Management