



# THE DATASHEET OF CR5320-1



# DC Voltage Transducer

## DIN RAIL / PANEL MOUNT



Single Element  
0.1 - 600 VDC Input Range

If you need a relay output, use a **CR3595**.  
See Section for Details.

The **CR5300** Series, DC Voltage Transducers and Transmitters, are designed to provide an output DC signal that is proportional to the input DC voltage. These devices are especially suited for applications with a current shunt to monitor DC current.

### Applications

Power Supply over/under sensing  
Battery chargers and systems  
Mobile applications  
Power sensing

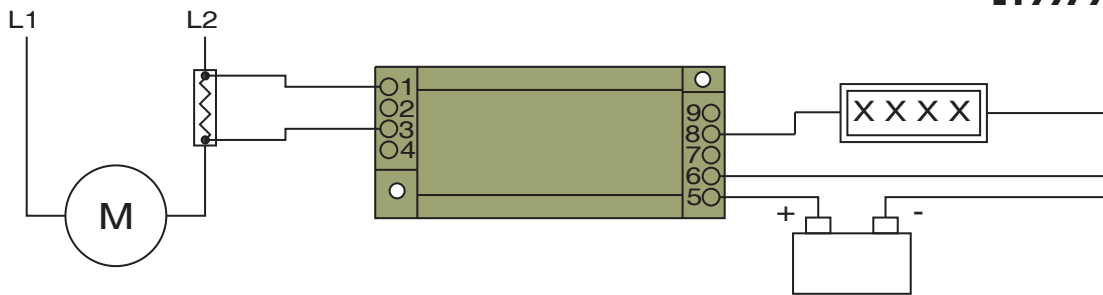
### Features

Output isolated from input  
Available with 0-5 VDC, 0-10 VDC or 4 - 20 mADC outputs  
35mm DIN rail or panel mount  
Connection diagram printed on case

### Regulatory Agencies

Recognized to meet UL 61010B-1  
Constructed to meet CAN/CSA-C22.2, No. 61010-1-2004  
Meets requirement of IEC 61010-1 and BS EN 61010-1

CR5310 with Resistor Application is shown below (optional).



□ Add suffix for input range

PART NUMBERS			
CR5310	▪		Single Element with $\pm 5$ VDC output
CR5311	▪		Single Element with $\pm 10$ VDC output
CR5320	▪		Single Element with 4 - 20 mADC output
<p><b>NOTE:</b> CR5300 Series is available with 12V Power Supply. Use same application as 24V Power Supply. Example Part Number: CR5310-300-12V</p>			

- 1** - 0-1 VDC
- 5** - 0-5 VDC
- 10** - 0-10 VDC
- 50** - 0-50 VDC
- 150** - 0-150 VDC
- 200** - 0-200 VDC

Ranges available up to and including 1,000 VDC

**\* UL Recognized up to 300 VDC**

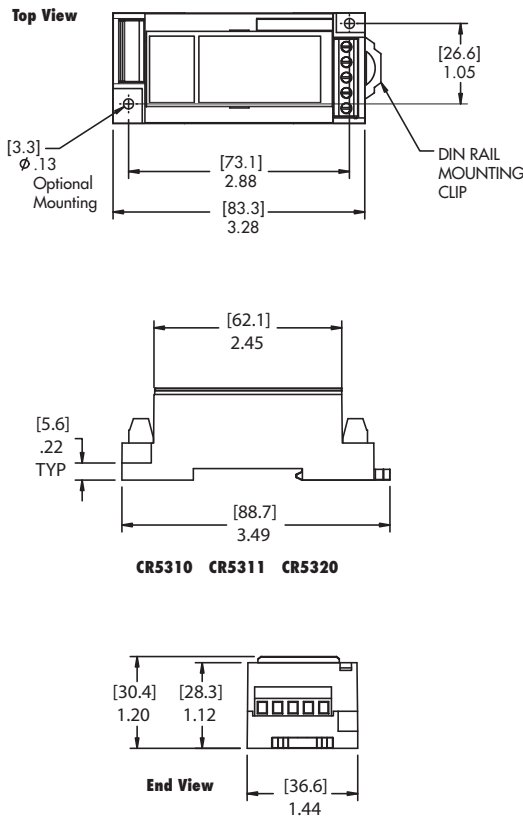
Transducers

# DC Voltage Transducer

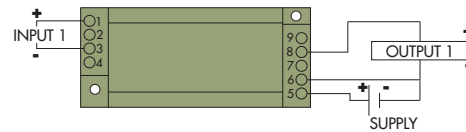
DIN RAIL / PANEL MOUNT

## SPECIFICATIONS

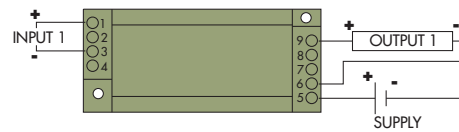
Basic Accuracy:.....	1.0 %	Supply Voltage:.....	24 VDC $\pm$ 10%
Linearity:.....	10% to 100% FS	Frequency Range:.....	DC only
Thermal Drift:.....	500 PPM/ $^{\circ}$ C	Output Load:.....	4-20 mADC - 0 to 500 $\Omega$ 0-5 VDC - 2K $\Omega$ or Greater
Operating Temperature:.....	0 $^{\circ}$ C to +50 $^{\circ}$ C	Relative Humidity:.....	5% to 95%, Non-Condensing
Installation Category:.....	CAT II	Supply Current:	
Isolation Voltage:.....	2500KVRMS/1mA/1Sec	CR5310:.....	Typical 35mA    Max 40mA
Vibration Tested To:.....	IEC 60068-2-6,1995	CR5320:.....	Typical 35mA    Max 40mA
Pollution Degree:.....	2	Torque Specs.:.....	3.0 inch lbs. (0.4Nm)
Altitude:.....	2000 meter max.	Weight:.....	0.5 lbs.
Response Time: .....	250 ms. max.		
Insulation Voltage:.....	2500 VDC		
Cleaning:.....	Water-dampened cloth		



## OUTLINE DRAWING



**CR5310** 5 VDC Output  
**CR5311** 10 VDC Output



**CR5320** 4 - 20 mADC Output

## CONNECTION DIAGRAM

NOTE: The building installation must have a switch or circuit-breaker that is in close proximity and within easy reach of the operator. The switch or circuit breaker shall be marked as the disconnecting device for the equipment.

## Looking for pricing, stock, or lifecycle information?

Click below to explore more details on WIN SOURCE:

 [View CR5320-1 on WIN SOURCE](#)

 [CR Magnetics Inc. Information](#)

## Optimize Your Supply Chain with WIN SOURCE Solutions

-  Global Sourcing Solution
-  Obsolete Management
-  Cost Control Management
-  Shortage Management
-  Alternative Solution
-  Excess Inventory Management