



**THE DATASHEET OF  
CR5311-200**



# DC Voltage Transducer

## DIN RAIL / PANEL MOUNT



Single Element  
0.1 - 600 VDC Input Range

If you need a relay output, use a **CR3595**.  
See Section for Details.

The **CR5300** Series, DC Voltage Transducers and Transmitters, are designed to provide an output DC signal that is proportional to the input DC voltage. These devices are especially suited for applications with a current shunt to monitor DC current.

### Applications

Power Supply over/under sensing  
Battery chargers and systems  
Mobile applications  
Power sensing

### Features

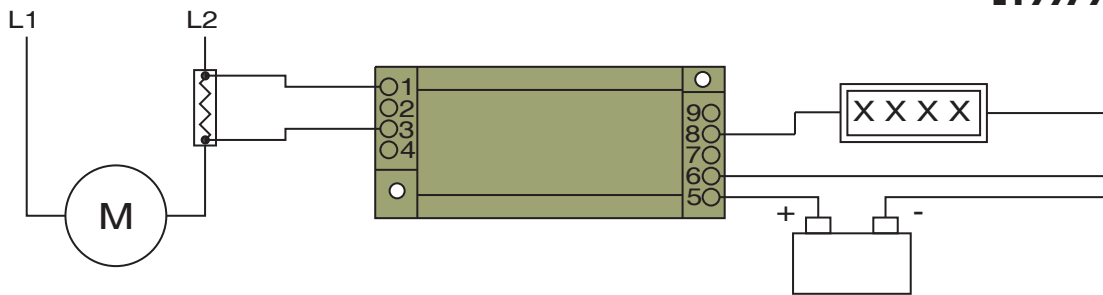
Output isolated from input  
Available with 0-5 VDC, 0-10 VDC or 4 - 20 mADC outputs  
35mm DIN rail or panel mount  
Connection diagram printed on case

### Regulatory Agencies

Recognized to meet UL 61010B-1  
Constructed to meet CAN/CSA-C22.2, No. 61010-1-2004  
Meets requirement of IEC 61010-1 and BS EN 61010-1

Transducers

CR5310 with Resistor Application is shown below (optional).



□ Add suffix for input range

| PART NUMBERS |   |  |   |
|--------------|---|--|---|
| CR5310       | ▪ |  | Single Element with $\pm 5$ VDC output  |
| CR5311       | ▪ |  | Single Element with $\pm 10$ VDC output |
| CR5320       | ▪ |  | Single Element with 4 - 20 mADC output  |

**NOTE:** CR5300 Series is available with 12V Power Supply. Use same application as 24V Power Supply.  
Example Part Number: CR5310-300-12V

- 1** - 0-1 VDC
- 5** - 0-5 VDC
- 10** - 0-10 VDC
- 50** - 0-50 VDC
- 150** - 0-150 VDC
- 200** - 0-200 VDC

Ranges available up to and including 1,000 VDC

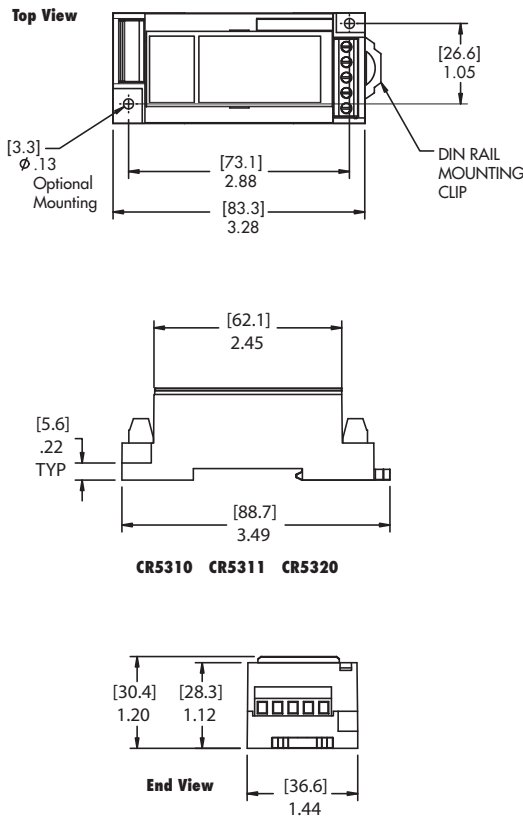
**\* UL Recognized up to 300 VDC**

# DC Voltage Transducer

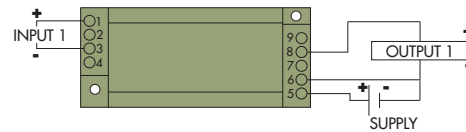
## DIN RAIL / PANEL MOUNT

### SPECIFICATIONS

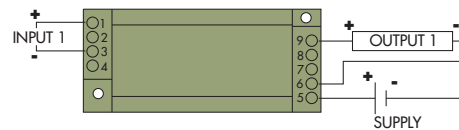
|                             |                                    |                         |   |
|-----------------------------|------------------------------------|-------------------------|---|
| Basic Accuracy:.....        | 1.0 %                              | Supply Voltage:.....    | 24 VDC $\pm$ 10%  |
| Linearity:.....             | 10% to 100% FS                     | Frequency Range:.....   | DC only   |
| Thermal Drift:.....         | 500 PPM/ $^{\circ}$ C              | Output Load:.....       | 4-20 mADC - 0 to 500 $\Omega$<br>0-5 VDC - 2K $\Omega$ or Greater |
| Operating Temperature:..... | 0 $^{\circ}$ C to +50 $^{\circ}$ C | Relative Humidity:..... | 5% to 95%, Non-Condensing   |
| Installation Category:..... | CAT II                             | Supply Current:         |   |
| Isolation Voltage:.....     | 2500KVRMS/1mA/1Sec                 | CR5310:.....            | Typical 35mA    Max 40mA  |
| Vibration Tested To:.....   | IEC 60068-2-6,1995                 | CR5320:.....            | Typical 35mA    Max 40mA  |
| Pollution Degree:.....      | 2                                  | Torque Specs.:.....     | 3.0 inch lbs. (0.4Nm)   |
| Altitude:.....              | 2000 meter max.                    | Weight:.....            | 0.5 lbs.  |
| Response Time: .....        | 250 ms. max.                       |                         |   |
| Insulation Voltage:.....    | 2500 VDC                           |                         |   |
| Cleaning:.....              | Water-dampened cloth               |                         |   |



### OUTLINE DRAWING



**CR5310** 5 VDC Output  
**CR5311** 10 VDC Output



**CR5320** 4 - 20 mADC Output

### CONNECTION DIAGRAM

NOTE: The building installation must have a switch or circuit-breaker that is in close proximity and within easy reach of the operator. The switch or circuit breaker shall be marked as the disconnecting device for the equipment.

## Looking for pricing, stock, or lifecycle information?

Click below to explore more details on WIN SOURCE:

 [View CR5311-200 on WIN SOURCE](#)

 [CR Magnetics Inc. Information](#)

## Optimize Your Supply Chain with WIN SOURCE Solutions

-  Global Sourcing Solution
-  Obsolete Management
-  Cost Control Management
-  Shortage Management
-  Alternative Solution
-  Excess Inventory Management