



THE DATASHEET OF
CR4395-LH-120-110-A-CD-ELR-R1



Current Sensing Relay

CR4395 Series



OUTPUT OPTIONS

The Relay is available with three different output configurations, electromechanical relay, optoisolated NPN transistor or optoisolated triac. Specify desired selection in part number.

RELAY (-ELR)

Arrangement: 1 Form C (SPDT)
 Contact Material: Silver-cadmium oxide
 Terminals: 3 1/4" Male QC
 Mechanical Life: 10 million operations, typ. @ rated load
 Electrical Life: 100,000 operations, typ. @ rated load
 Initial Contact Resistance: 50 milliohms max. @ 500 mA, 12 VDC
 Contact Rating: UL508/873 & CSA

DC SWITCHING (-NPN)

Vce (full off): 30 VDC max.
 Isink (full on): 120 mADC max. @ rated full-on
 Vce (full on): 1.5 VDC @ 120 mADC Isink
 Off state leakage current: 5ua @ 30 VDC (typical)

AC SWITCHING (-TRC)

Off state voltage: 240 VAC RMS max.
 Minimum switch voltage: 24 VAC RMS
 On state current: 0.5 AAC RMS max. continuous
 Switching mode: Zero crossing
 Off state leakage: 60 ua @ 240 VAC max.
 Terminals: 2 @ 1/4" Male QC

The **CR4395** Series, Current Sensing Relay provides an effective and highly stable method for monitoring electrical current. The current-carrying wire is routed through the opening extending from the top of the case. When current reaches the level set by the trip point adjustment, the relay trips and starts the adjustable timer. After the timer cycles the electromechanical relay is energized. A precision voltage reference circuit ensures a highly repeatable trip point.

Applications

Monitor Electrical Heater Elements
 Sense Motor Over/Under Loads
 Detect Lamp burn-out
 Indicate Phase Loss

Features

Variable Trip Point and Time Delay
 Monitors Currents from 1 AC to 100 AC Amps
 Electrical Isolation Between Circuits
 Output Relay Rated up to 20 Amps
 LED Trip Status Indicator
 Dead Band Prevents Relay Chatter
 Calibrated Dial Option Available
 External Current Transformers Available

Specifications

Mounting:
 3/16" dia. clearance holes on 1 15/16" by 2 15/16" centers
 Environmental:
 Operating Temperature: -30° C to +60° C
 Storage Temperature: -55° C to +85° C
 Power-On Delay: 100 MS MAX
 Hysteresis: 5% Max.
 Input Supply Power:
 Typical 80mA Max 100mA
 Sensed Current:
 Max. Continuous: 200% Full Scale
 Frequency: 60-400 Hz *
 *All specifications for operation at 60 Hz only
 Altitude: 2000 meters max.
 (Contact factory for High Altitude applications)
 Weight 0.5 LBS.

Regulatory Agencies



VOLTAGE	LOAD TYPE	N.O. CONTACT	N.C. CONTACT
240 VAC	Resistive	20A	10A
240 VAC	Motor	2HP	1/2 HP
125 VAC	Motor	1HP	1/4 HP
28 VDC	Resistive	20A	10A



3500 Scarlet Oak Blvd. St. Louis MO USA 63122 V: 636-343-8518 F: 636-343-5119

Web: <http://www.crmagnetics.com>

E-mail: sales@crmagnetics.com



Current Sensing Relay

OUTLINE DRAWING

CR4395 Series



Top view of Current Sensing Relay



Shown with Remote Current Transformer Option (-R)

CRGFS	A	B	C	D
-100	2.88	1.60	12	0.79
	73.16	40.58	304.8	20.07
-200	3.25	1.75	12	0.82
	82.55	44.45	304.8	20.83



Remote Current Transformers CRGFS - Series

PART NUMBER											
CR4395	-	-	-	-	-	-	-	-	-	-	-

TRIP STATUS
EH - Energized on High, trips when sense current is above trip point and returns to non-trip status when sense current is below the trip point.
EL - Energized on Low, trips when sense current is below trip point and returns to non-trip status when sense current is above the trip point.
LH - Latch on High, trips when sense current is above trip point and remains tripped until supply power is removed.
LL - Latch on Low, trips when sense current is below trip point and remains tripped until supply power is removed.

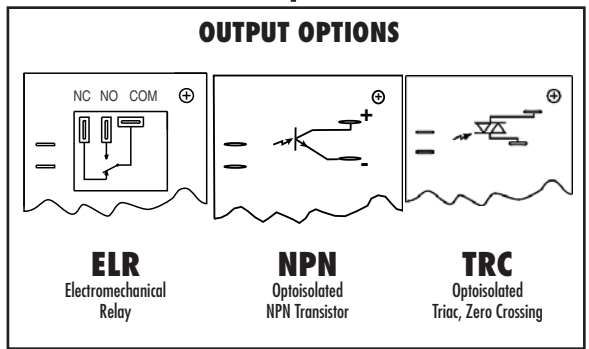
SUPPLY VOLTAGE
AC
120 - 120 VAC
240 - 240 VAC
DC
24D - 24 VDC
 All supply voltage tolerances are $\pm 10\%$

TRIP RANGE
110 - 1.0 to 10 AAC
330 - 3.0 to 30 AAC
660 - 6.0 to 60 AAC
101 - 10 to 100 AAC
 The trip ranges shown are for one wire pass through the window opening. The trip range may be proportionally lowered with additional wire passes through the window.

TRIP ON DELAY
A - .5 to 6 Sec.
B - 2 to 25 Sec.
C - .1 to 1 Sec.
X - none
 Time-on delay is the time from when the relay trips to when the output energizes. The ranges are guaranteed minimum, actual range may be slightly greater.

TRIP POINT DIAL
CD - Calibrated Dial
FP - Fixed Trip Point (Specify value of fixed trip point with order)
 No adjustment dial provided with the fixed set point option
 - CD - FP
 3.30 trip range shown

I - INTERNAL TRANSFORMER
R1 - REMOTE TRANSFORMER w/ CRGFS-100 (1.60" window diameter)
R2 - REMOTE TRANSFORMER w/ CRGFS-200 (1.75" window diameter)



Example Part Numbers:
CR4395-EH-120-110-A-CD-ELR-I (Relay with CT on board)
CR4395-EL-240-330-A-CD-NPN-R1 (Relay with external CRGFS-100)



3500 Scarlet Oak Blvd. St. Louis MO USA 63122 V: 636-343-8518 F: 636-343-5119



Web: <http://www.crmagnetics.com>

E-mail: sales@crmagnetics.com

D Relays, Switches, & Sensors

Looking for pricing, stock, or lifecycle information?

Click below to explore more details on WIN SOURCE:

-  [View CR4395-LH-120-110-A-CD-ELR-R1 on WIN SOURCE](#)
-  [CR Magnetics Inc. Information](#)

Optimize Your Supply Chain with WIN SOURCE Solutions

-  Global Sourcing Solution
-  Obsolete Management
-  Cost Control Management
-  Shortage Management
-  Alternative Solution
-  Excess Inventory Management