



**THE DATASHEET OF  
1132060000**



**Industrial Ethernet  
IE-PS-RJ45-FH-BK-P**

**Weidmüller Interface GmbH & Co. KG**  
Klingenbergstraße 16  
D-32758 Detmold  
Germany  
Fon: +49 5231 14-0  
Fax: +49 5231 14-292083  
www.weidmueller.com



RJ45 plug-in connector (tool-less) according to IEC 60603-7-51 for wire outer diameters up to 1.6 mm

**General ordering data**

|            |   |
|------------|---|
| Type       | IE-PS-RJ45-FH-BK-P  |
| Order No.  | <a href="#">1132060000</a>  |
| Version    | RJ45 plug, no tools required, Cat.5 (ISO/IEC 11801), 4-core, PROFINET |
| GTIN (EAN) | 4032248912162   |
| Qty.       | 10 pc(s).   |

**Industrial Ethernet  
IE-PS-RJ45-FH-BK-P**

**Weidmüller Interface GmbH & Co. KG**  
Klingenbergstraße 16  
D-32758 Detmold  
Germany  
Fon: +49 5231 14-0  
Fax: +49 5231 14-292083  
www.weidmueller.com

**Technical data**
**Dimensions and weights**

Net weight 26.4 g

**Temperatures**

|                             |                |                             |        |
|-----------------------------|----------------|-----------------------------|--------|
| Operating temperature, max. | 70 °C          | Operating temperature, min. | -40 °C |
| Operating temperature       | -40 °C...70 °C | Storage temperature         |        |
| Installation temperature    |                |                             |        |

**Environmental Product Compliance**

REACH SVHC Lead 7439-92-1

**General data**

|  |   |  |  |
|--|---|--|--|
| Fire load  | 77 kJ   | Halogen  | No   |
| Connection 1   | RJ45  | Connection 2   | IDC  |
| Wiring   | 4-core, PROFINET                                | Housing main material  | Zinc diecast                                       |
| Speed  | 10 GBit/s                                       | Insulation cross-section, min.                               | 0.85 mm  |
| Insulation cross-section, max.                         | 1.6 mm  | Category   | Cat.5 (ISO/IEC 11801)                              |
| Contact material                                       | Phosphorus bronze                               | Contact surface  | Gold over nickel                                   |
| Connection diameter, solid                             | 0.41...0.64 mm                                  | Conductor connection cross-section, solid (AWG)              | AWG 26/1...AWG 22/1                                |
| Wire cross-section, solid, min.                        | 0.128 mm <sup>2</sup>                           | Wire cross-section, solid, max.                              | 0.324 mm <sup>2</sup>                              |
| Conductor connection cross-section, solid              | 0.13...0.32 mm <sup>2</sup>                     | Connection diameter, flexible                                | 0.48...0.76 mm                                     |
| Conductor connection cross-section, flexible (AWG)     | AWG 26/7...AWG 22/7                             | Wire connection cross-section, finely stranded, min.         | 0.141 mm <sup>2</sup>                              |
| Wire connection cross section, finely stranded, max.   | 0.355 mm <sup>2</sup>                           | Conductor connection cross-section, flexible                 | 0.14...0.35 mm <sup>2</sup>                        |
| Conductor connection cross-section, extremely flexible | , Approval of the cable by Weidmüller necessary | Conductor connection cross-section, extremely flexible (AWG) | , Approval of the cable by Weidmüller necessary    |
| MICE classification M                                  | M <sub>1</sub>                                  | MICE classification I  | I <sub>1</sub>                                     |
| MICE classification C                                  | C <sub>1</sub>                                  | MICE classification E  | E <sub>3</sub>                                     |
| Sheath diameter, min.                                  | 5.5 mm  | Sheath diameter, max.  | 8.5 mm   |
| Shielding  | 360° all-round enclosure                        | Protection degree  | IP20   |
| Insertion force  | ≤ 30 N  | Plugging cycles  | 750  |
| Material insulator                                     | PA UL94-V0                                      | Ability to reconnect   | ≥ 10 cycles (for the same or larger cross-section) |

**Electrical properties**

|  |             |                                       |                            |
|--|-------------|---------------------------------------|----------------------------|
| Contact resistance                     | ≤ 20 mΩ     | Current-carrying capacity at 50 °C    | 1 A                        |
| Dielectric strength, contact / contact | ≥ 1000 V DC | Dielectric strength, contact / shield | ≥ 1500 V DC                |
| Insulation resistance                  | > 500 MΩ    | PoE / PoE+                            | conforming to IEEE 802.3at |

**Standards**

|   |  |   |                                    |
|---|--|---|------------------------------------|
| Generic communication cable facilities    | ANSI / TIA / EIA-568-B.2-10, DIN EN 61918<br>Draft 02.2007, ISO / IEC 11801:2002, ISO / IEC 24702:2006 | Application-specific communication cable facilities | PROFINET installation instructions |
| IP protection classes                     | IEC 60529  | Connector standard                                  | IEC 60603-7-51                     |
| UL standard for communication accessories | UL 1863  | Certificate no. (cULus)                             | E316369                            |

Creation date October 15, 2018 9:58:56 PM CEST

Catalogue status 11.10.2018 / We reserve the right to make technical changes.

**Industrial Ethernet  
IE-PS-RJ45-FH-BK-P**

**Weidmüller Interface GmbH & Co. KG**  
Klingenbergstraße 16  
D-32758 Detmold  
Germany  
Fon: +49 5231 14-0  
Fax: +49 5231 14-292083  
www.weidmueller.com

**Technical data**

**Classifications**

|            |             |            |             |
|------------|-------------|------------|-------------|
| ETIM 4.0   | EC001264    | ETIM 5.0   | EC001264    |
| ETIM 6.0   | EC001121    | eClass 6.2 | 27-25-05-04 |
| eClass 7.1 | 27-25-05-04 | eClass 8.1 | 19-17-01-25 |
| eClass 9.0 | 19-17-01-25 | eClass 9.1 | 27-44-03-90 |

**Approvals**

Approvals



ROHS Conform

**Downloads**

|   |   |
|---|---|
| Approval/Certificate/Document of Conformity | <a href="#">DUXR.E316369</a><br><a href="#">CC-Link IE-PS-RJ45-FH-BK</a>  |
| Brochure/Catalogue                          | <a href="#">CAT 9 IETH 15/16 EN</a><br><a href="#">MB FREECONTACT EN</a><br><a href="#">FL FIELDWIRING EN</a><br><a href="#">PI PROFINET CABLING EN</a> |
| Engineering Data                            | <a href="#">EPLAN, WSCAD, Zuken E3.S</a>  |
| Product Change Notification                 | <a href="#">TI_20171120_RJ45PN</a>  |
| User Documentation                          | <a href="#">MAN IE GUIDE DE</a><br><a href="#">MAN IE GUIDE EN</a><br><a href="#">Manual</a>  |

**Industrial Ethernet  
IE-PS-RJ45-FH-BK-P**

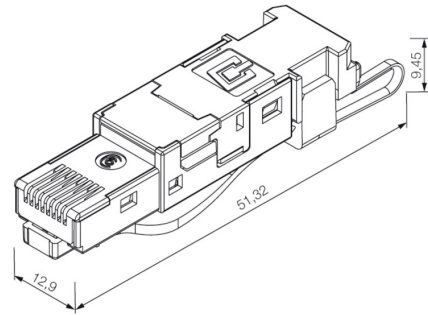
**Weidmüller Interface GmbH & Co. KG**  
Klingenbergstraße 16  
D-32758 Detmold  
Germany  
Fon: +49 5231 14-0  
Fax: +49 5231 14-292083  
www.weidmueller.com

**Drawings**

**Printing**





**Dimensioned drawing**



## Looking for pricing, stock, or lifecycle information?

Click below to explore more details on WIN SOURCE:

-  [View 1132060000 on WIN SOURCE](#)
-  [Weidmuller Information](#)

## Optimize Your Supply Chain with WIN SOURCE Solutions

-  Global Sourcing Solution
-  Obsolete Management
-  Cost Control Management
-  Shortage Management
-  Alternative Solution
-  Excess Inventory Management