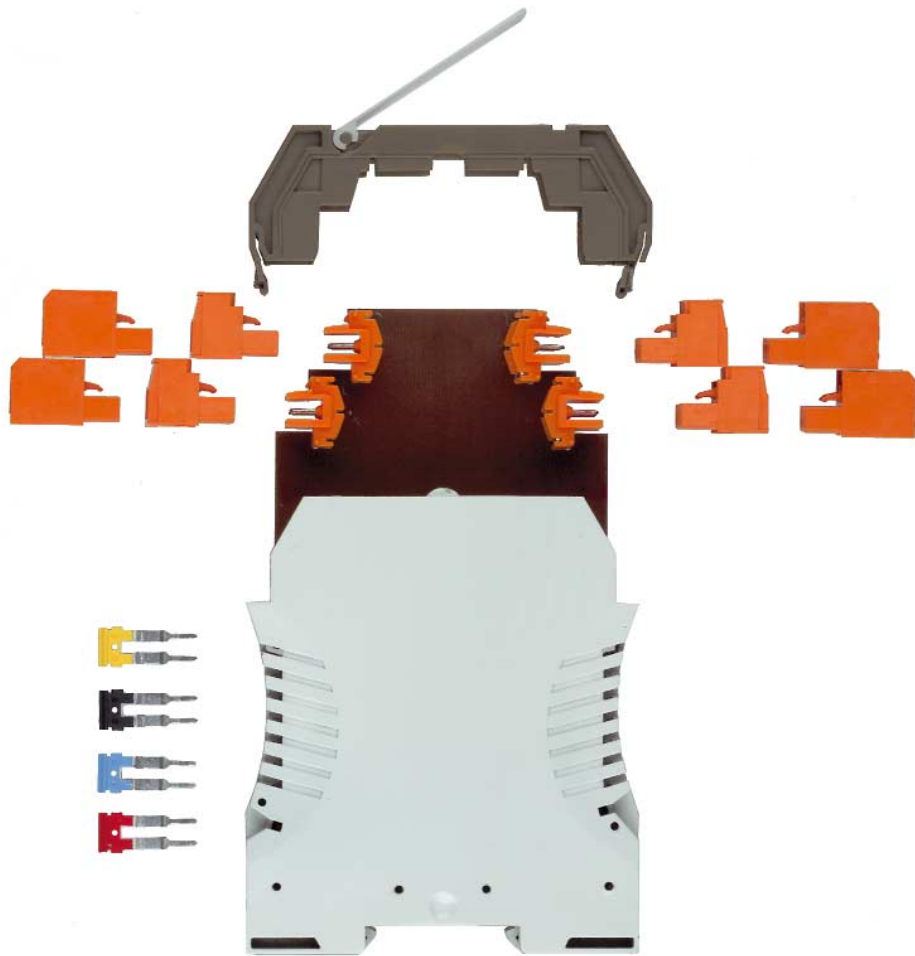




**THE DATASHEET OF
1609010000**





Component Carriers and Housings

Weidmüller DK 4 and DKT 4 terminals

are suitable for the installation of electronic components with a maximum diameter or width of 4.5 mm. Four independent clamping yoke screw connections are available. A snap-on frame expands the installation space in the DK4 by 6 mm respectively. Depending on type, these modular terminals are suitable for mounting on TS 32, TS 35 x 7.5 or TS 35 x 15 mounting rails according to European standards EN 50 035 and EN 50 022.

Weidmüller WDK 2.5 terminals

are suitable for the installation of electrical components with a maximum width of 4 mm. As many as four independent clamping yoke screw connections or 4 6.3 x 0.8 tab connections are available. These terminals are suitable for mounting on TS 35 x 7.5 or TS 35 x 15 mounting rails.

Weidmüller EG 1 housings

offer 4 screw connections and, as accessories, up to 4 0.8 x 4.8 mm solder/tab connections on a width of 18 mm. The screw clamp busbar ends with a solder ring inside the housing. Two end plates seal the module. Depending on type, the modules are mounted on TS 32, TS 35 x 7.5 or TS 35 x 15 mounting rails.

Weidmüller EG 2 housings

The external shape of these housings corresponds to Type EG 1. Four screw connections or up to 8 0.8 x 6.6 mm/0.8 x 2.8 mm tab connectors are connected with a printed circuit board in the housing. They can be mounted on TS 32, TS 35 x 7.5 or TS 35 x 15 mounting rails.

Weidmüller EG 3 housings

provides 6 screw connections or 12 0.8 x 6.3 mm/0.8 x 2.8 mm tab connections on a width of 22.5 mm. As an accessory, Weidmüller offers a shaped printed circuit board with a 2.54 mm hole grid or fully copper-coated. The engagable combination foot allows the terminal to be mounted on TS 32, TS 35 x 7.5 or TS 35 x 15 mounting rails. The MPL mounting plate is used to mount the housing directly (without mounting rail). Due to the sliding foot construction, the EG 3 can be turned through 180° in all types of assembly (e.g. exchanging input and output).

Weidmüller EG 4 housing

as type EG 3, offers the same width of 22.5 mm. However, the greater installation depth (75 mm) and height (109 mm) allow the installation of more complex circuit configurations. The built-in installation can be connected via 6 screw connections. The snap-on combination foot allows the terminal to be mounted on TS 32, TS 35 x 7.5 or TS 35 x 15 mounting rails. Due to the sliding foot construction, the EG 4 can be slid forwards or backwards on the locking foot, and can be turned through 180° (e.g. exchanging of input and output).

Weidmüller EG 5 housings

correspond to type EG 4. The EG 5 has 12 screw connections, which can be wired with solder lugs inside the housing. The snap-on combination foot allows the terminal to be mounted on TS 32, TS 35 x 7.5 or TS 35 x 15 mounting rails. Due to the sliding foot construction, the EG 4 can be slid 6 mm forwards or backwards on the engaging foot and can be turned through 180° (e.g. exchanging input and output).

Weidmüller EG 6 housings

have a bus-suitable contact carrier. The bus connection is created by directly mounting several housings in a row. 32 connections are available on both sides of the housing as crimp connector block contacts. The housing accepts printed circuit boards with dimensions of 100 x 120 mm. The printed circuit board is adapted with a VG 64 DIN strip. The front panel is screwed onto the circuit board similar to the 19" technology. The locking foot allows easy mounting onto the TS 35 mounting rail.

Weidmüller SEG/U housing

enable the plug-in module assembly of a 70 x 52 x 1 mm printed circuit board. The circuit board is attached to the accessory cover plate via snap-in hooks. The housing contains a 13-pole socket block for installation of the module; 6 screw connections are available for connection. The permissible power loss in the housing during continuous operation of terminals in rows amounts to 1.5W, depending on the surface temperature of the soldered components. The snap-on combination foot allows the housings to be mounted on TS 32, TS 35 x 7.5 or TS 35 x 15 mounting rails.

Weidmüller housings type WAVEBOX

It is essential to provide fit-for-use housings for modern electronic components. Setting and control functions must be easily carried out and technical requirements with respect to heat dissipation and EMV properties should be supported.

An ideal design saves space and wiring costs in the switchgear cabinet.

In addition, ergonomics and design are becoming increasingly important for high-quality electronic products.

These are the criteria that led to the development of WAVEBOX. Simplified production methods (shaft soldering, SMD) ensure cost-savings for the customer.

The WAVEBOX is characterised by:

- Optimum width for any application (12.5 mm, 17.5 mm, 22.5 mm)
- Large component assembly surface; SMDs can be mounted on the solder side
- UL94 flammability class V2
- No tools required for assembly
- Plug-in printed circuit board
- Plug-in cross-connection via ZQV 2.5 N
- Hinged, transparent cover
- BLZ 5.08 screw/plug and socket connector
- BLFZ 5.08 optional tension clamp/plug and socket connector
- Marking option with WS tags
- Mounts onto TS 35

Weidmüller individual parts for RS 70 locking socket

latch together to form units from 20 mm in width. Any desired intermediate parts or feet can be connected between two side pieces (locking feet) at intervals of 5 mm. In this way, a carrier module is constructed for PCB, on which various components can be soldered. The assembly snaps onto TS 32, TS 35 x 7.5 or TS 35 x 15 mounting rails.

The Weidmüller RSX custom circuit module

is a largely prefabricated unit which accepts up to 5 components such as resistors, diodes, varistors or capacitors via soldering terminals. The components are connected via screw clamps or tab connections. This module is also suitable for mounting on TS 32, TS 35 x 7.5 or TS 35 x 15 mounting rails.

Weidmüller locking socket profiles

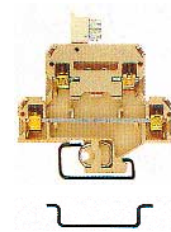
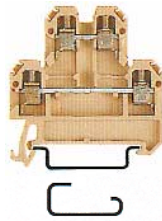
The RS 45, RS 80 and RS 100 profiles are available as 2 m long strips. The extruded profiles can be easily cut to any length with a saw. In this way, a carrier module is constructed for a printed circuit board on which various components can be soldered. Locking feet can be slid into these profiles for mounting on TS 32, TS 35 x 7.5 or TS 35 x 15 mounting rails. The sliding foot construction of the RS 80 also allows the fixing foot be turned through 180°.

Housings

Terminals

DK 4

DKT 4



Dimensions

| | |
|--|------|
| Terminal width (+fitting tolerance 0.2) | 6 mm |
| Insulating stripping length | 9 mm |

| | |
|--|------|
| Terminal width (+fitting tolerance 0.2) | 6 mm |
| Insulating stripping length | 9 mm |

| | |
|--|------|
| Terminal width (+fitting tolerance 0.2) | 6 mm |
| Insulating stripping length | 9 mm |

Connection data

| | |
|----------------------------|-------------------------|
| Screw connection, solid | 0.5...4 mm ² |
| Screw connection, stranded | 0.5...4 mm ² |
| Conductor cross-section | AWG 22...12 |
| Tightening torque range | 0.5-1.0 Nm |
| Torque phase with | 1 |
| DMS 2 electric screwdriver | |

| | |
|----------------------------|-------------------------|
| Screw connection, solid | 0.5...4 mm ² |
| Screw connection, stranded | 0.5...4 mm ² |
| Conductor cross-section | AWG 22...12 |
| Tightening torque range | 0.5-1.0 Nm |
| Torque phase with | 1 |
| DMS 2 electric screwdriver | |

| | |
|----------------------------|-------------------------|
| Screw connection, solid | 0.5...4 mm ² |
| Screw connection, stranded | 0.5...4 mm ² |
| Conductor cross-section | AWG 22...17 |
| Tightening torque range | 0.5 - 1.0 Nm |
| Torque phase with | 1 |
| DMS 2 electric screwdriver | |

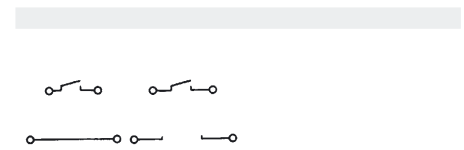
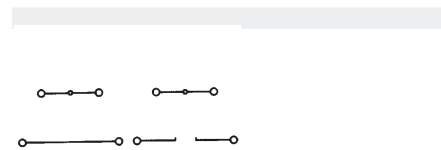
Rated data acc. to VDE

| | |
|---------------------|-------------------|
| Rated cross-section | 4 mm ² |
| Rated voltage | 380 V~ |
| Rated current | 10 A |
| Power loss | 0.5 W |

| | |
|---------------------|-------------------|
| Rated cross-section | 4 mm ² |
| Rated voltage | 380 V~ |
| Rated current | 10 A |
| Power loss | 0.5 W |

| | |
|---------------------|-------------------|
| Rated cross-section | 4 mm ² |
| Rated voltage | 380 V~ |
| Rated current | 10 A |
| Power loss | 0.5 W |

Connection diagram



Ordering data

| Terminal | | Type | Cat. No. |
|-------------|----------|------------|------------|
| for TS 32 y | Type | DK 4 PA | 1537960000 |
| | Cat. No. | | |
| for TS 35 w | Type | DK 4/35 PA | 8203490000 |
| | Cat. No. | | |

| Terminal | | Type | Cat. No. |
|-------------|----------|------------|------------|
| for TS 32 y | Type | DK 4 PA | 1115460000 |
| | Cat. No. | | |
| for TS 35 w | Type | DK 4/35 PA | 1115560000 |
| | Cat. No. | | |

| Terminal | | Type | Cat. No. |
|-------------|----------|-------------|------------|
| for TS 32 y | Type | DKT 4 PA | 1686940000 |
| | Cat. No. | | |
| for TS 35 w | Type | DKT 4 /35PA | 0687460000 |
| | Cat. No. | | |

| Matching contour frame | | Type | Cat. No. |
|------------------------|----------|------------|------------|
| for TS 32 y | Type | DK 4 RA | 0690960000 |
| | Cat. No. | | |
| for TS 35 w | Type | DK 4 RA/35 | 0691060000 |
| | Cat. No. | | |

| Matching contour frame | | Type | Cat. No. |
|------------------------|----------|------------|------------|
| for TS 32 y | Type | DK 4 RA | 0690960000 |
| | Cat. No. | | |
| for TS 35 w | Type | DK 4 RA/35 | 0691060000 |
| | Cat. No. | | |

| Matching contour frame | | Type | Cat. No. |
|------------------------|----------|-------------|------------|
| for TS 32 y | Type | DKT 4 PA | 1686940000 |
| | Cat. No. | | |
| for TS 35 w | Type | DKT 4 /35PA | 0687460000 |
| | Cat. No. | | |

Accessories

| Mounting rail (2 m lengths) | | Type | Cat. No. | Qty. |
|-------------------------------------|-----------|--------------------|------------|------|
| End bracket (thickness mm) | for TS 32 | TS 32 | 0122800000 | 2 m |
| | for TS 35 | TS 35 x 7.5 | 0383400000 | 2 m |
| | | TS 35 x 15 | 0498000000 | 2 m |
| End plate (thickness mm) | | EWK 1 (8.5) | 0206160000 | 50 |
| Partition | | EW 35 (8.5) | 0383560000 | 50 |
| Socket for test plug | | AP PA (1.5) | 0359260000 | 20 |
| Test plug (pin diameter) | | TSch 4 | 0363360000 | 100 |
| Cross-connection (preassembled) | 2-pole | StB 8.5 | 0215700000 | 50 |
| | 3-pole | PS (ø 2.3) | 0180400000 | 20 |
| | 4-pole | Q 2 | 0336400000 | 50 |
| | 10-pole | Q 3 | 0336500000 | 50 |
| | | Q 4 | 0336600000 | 50 |
| Switchable cross-connection bracket | | Q 10 | 0368600000 | 20 |
| Connection sleeve | | VL 2 | 0446700000 | - |
| Fixing screw | | VH 10 | 0446600000 | 100 |
| Cover plate (4 terminals) | | BS M 2.5 x 14 | 0266800000 | 100 |
| Fixing screw (plastic) | | AD 4 | 0303400000 | 50 |
| Cross connection bridge | | BSK M 2.5 x 18 | 0303300000 | 100 |
| | | QB 2* | 0482700000 | 100 |
| | | QB 3* | 0482800000 | 50 |
| | | QB 4* | 0482900000 | 50 |
| | | QB 75 blank* | 0526400000 | 10 |
| | | Insulation profile | 0526700000 | - |
| | | | | |

| Mounting rail (2 m lengths) | | Type | Cat. No. | Qty. |
|-------------------------------------|-----------|--------------------|------------|------|
| End bracket (thickness mm) | for TS 32 | TS 32 | 0122800000 | 2 m |
| | for TS 35 | TS 35 x 7.5 | 0383400000 | 2 m |
| | | TS 35 x 15 | 0498000000 | 2 m |
| End plate (thickness mm) | | EWK 1 (8.5) | 0206160000 | 50 |
| Partition | | EW 35 (8.5) | 0383560000 | 50 |
| Socket for test plug | | AP PA (1.5) | 0687560000 | 20 |
| Test plug (pin diameter) | | TSch 4 | 0363360000 | 100 |
| Cross-connection (preassembled) | 2-pole | StB 8.5 | 0215700000 | 50 |
| | 3-pole | PS (ø 2.3) | 0180400000 | 20 |
| | 4-pole | Q 2 | 0336400000 | 50 |
| | 10-pole | Q 3 | 0336500000 | 50 |
| | | Q 4 | 0336600000 | 50 |
| Switchable cross-connection bracket | | Q 10 | 0368600000 | 20 |
| Connection sleeve | | VL 2 | 0446700000 | - |
| Fixing screw | | VH 10 | 0446600000 | 100 |
| Fixing screw (plastic) | | BS M 2.5 x 14 | 0266800000 | 100 |
| Cross connection bridge | | AD 4 | 0303400000 | 50 |
| | | BSK M 2.5 x 18 | 0303300000 | 100 |
| | | QB 2* | 0482700000 | 100 |
| | | QB 3* | 0482800000 | 50 |
| | | QB 4* | 0482900000 | 50 |
| | | QB 75 blank* | 0526400000 | 10 |
| | | Insulation profile | 0526700000 | - |
| | | | | |

| Mounting rail (2 m lengths) | | Type | Cat. No. | Qty. |
|-------------------------------------|-----------|--------------------|------------|------|
| End bracket (thickness mm) | for TS 32 | TS 32 | 0122800000 | 2 m |
| | for TS 35 | TS 35 x 7.5 | 0383400000 | 2 m |
| | | TS 35 x 15 | 0498000000 | 2 m |
| End plate (thickness mm) | | EWK 1 (8.5) | 0206160000 | 50 |
| Partition | | EW 35 (8.5) | 0383560000 | 50 |
| Socket for test plug | | AP PA (1.5) | 0687560000 | 20 |
| Test plug (pin diameter) | | TSch 4 | 0363360000 | 100 |
| Cross-connection (preassembled) | 2-pole | StB 8.5 | 0215700000 | 50 |
| | 3-pole | PS (ø 2.3) | 0180400000 | 20 |
| | 4-pole | Q 2 | 0336400000 | 50 |
| | 10-pole | Q 3 | 0336500000 | 50 |
| | | Q 4 | 0336600000 | 50 |
| Switchable cross-connection bracket | | Q 10 | 0368600000 | 20 |
| Connection sleeve | | VL 2 | 0446700000 | - |
| Fixing screw | | VH 10 | 0446600000 | 100 |
| Fixing screw (plastic) | | BS M 2.5 x 14 | 0266800000 | 100 |
| Cross connection bridge | | AD 4 | 0303400000 | 50 |
| | | BSK M 2.5 x 18 | 0303300000 | 100 |
| | | QB 2* | 0482700000 | 100 |
| | | QB 3* | 0482800000 | 50 |
| | | QB 4* | 0482900000 | 50 |
| | | QB 75 blank* | 0526400000 | 10 |
| | | Insulation profile | 0526700000 | - |
| | | | | |

* Accessories see terminals catalogue

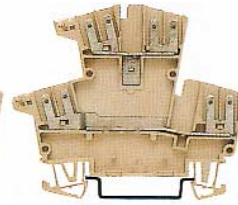
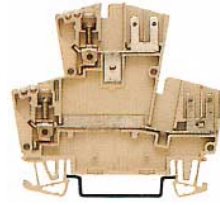
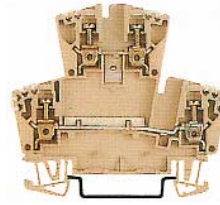
Housings

Terminals

WDK 2.5

WDK 2.5 F

WDK 2.5 FF

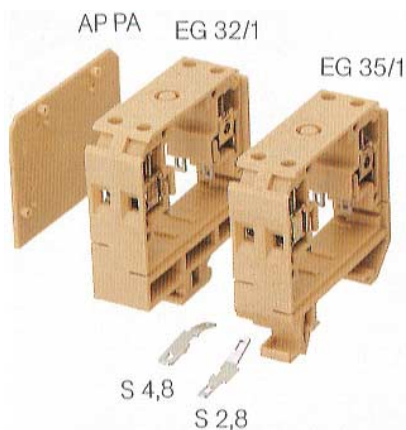


| Dimensions | WDK 2.5 | | WDK 2.5 F | WDK 2.5 FF | | | |
|---|---------------------------|---------------------------|---------------------------|-------------------|-------------------|-------------------|----|
| Terminal width (+fitting tolerance 0.2) | 5 mm | 5 mm | 5 mm | 5 mm | | | |
| Insulating stripping length | 10 mm | 10 mm | 10 mm | - | | | |
| Connection data | | | | | | | |
| Screw connection, solid | 0.5...4 mm ² | 0.5...4 mm ² | 0.5...4 mm ² | | | | |
| Screw connection, stranded | 0.5...2.5 mm ² | 0.5...2.5 mm ² | 0.5...2.5 mm ² | | | | |
| Conductor cross-section | AWG 26...4 | AWG 26...4 | AWG 26...4 | | | | |
| Tightening torque range | 0.4 - 0.7 Nm | | 0.4 - 0.7 Nm | | | | |
| Torque phase with DMS 2 electric screwdriver | 1 | | 1 | | | | |
| Rated data acc. to VDE | | | | | | | |
| Rated cross-section | 2.5 mm ² | | 2.5 mm ² | 1 mm ² | | | |
| Rated voltage | 380 V~ | | 380 V~ | 380 V~ | | | |
| Rated current | 26 A | | 12 A (2 x 6 A) | 12 A (2 x 6 A) | | | |
| Power loss | 0.5 W | | 0.5 W | 0.5 W | | | |
| Connection diagram | | | | | | | |
| | | | | | | | |
| Ordering data | | | | | | | |
| Terminal | | | | | | | |
| for TS 32 y | Type | | | | | | |
| | Cat. No. | | | | | | |
| for TS 35 w | Type | WDK 2.5 | WDK 2.5 F | WDK 2.5 FF | | | |
| | Cat. No. | 1023200000 | 1021600000 | 1021700000 | | | |
| Matching contour frame | | | | | | | |
| for TS 32 y | Type | | | | | | |
| | Cat. No. | | | | | | |
| for TS 35 w | Type | WZR WDK 2.5 | WZR WDK 2.5 | WZR WDK 2.5 | | | |
| | Cat. No. | 1074000000 | 1074000000 | 1074000000 | | | |
| Accessories | Type | Cat. No. | Qty. | Type | Cat. No. | Qty. | |
| Mounting rail (2 m lengths) | TS 35 x 7.5 | 0383400000 | 2 m | TS 35 x 7.5 | 0383400000 | 2 m | |
| | slotted | 0514500000 | 2 m | slotted | 0514500000 | 2 m | |
| | TS 35 x 15 | 0498000000 | 2 m | TS 35 x 15 | 0498000000 | 2 m | |
| End bracket | | | | | | | |
| (thickness mm) for TS 35 | EW 35 (8.5) | 0383560000 | 50 | EW 35 (8.5) | 0383560000 | 50 | |
| End plate (thickness mm) | WAP | 1059100000 | 100 | WAP | 1059100000 | 100 | |
| Cross-connection | 2-pole | WQV 2.5 | 1053660000 | 50 | WQV 2.5 | 1053660000 | 50 |
| (preassembled) | 3-pole | WQV 2.5 | 1053760000 | 50 | WQV 2.5 | 1053760000 | 50 |
| | 4-pole | WQV 2.5 | 1053860000 | 50 | WQV 2.5 | 1053860000 | 50 |
| | 10-pole | WQV 2.5 | 1054460000 | 50 | WQV 2.5 | 1054460000 | 50 |

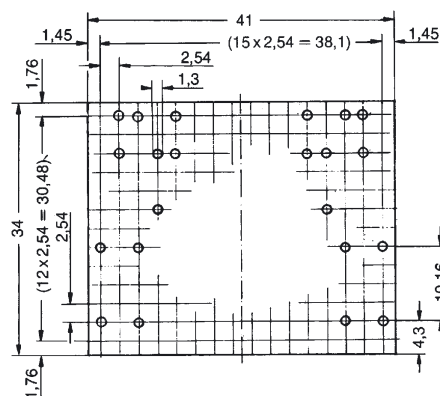
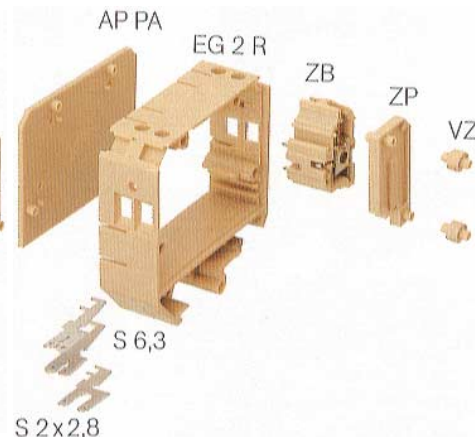
Housings

Housings

EG 1



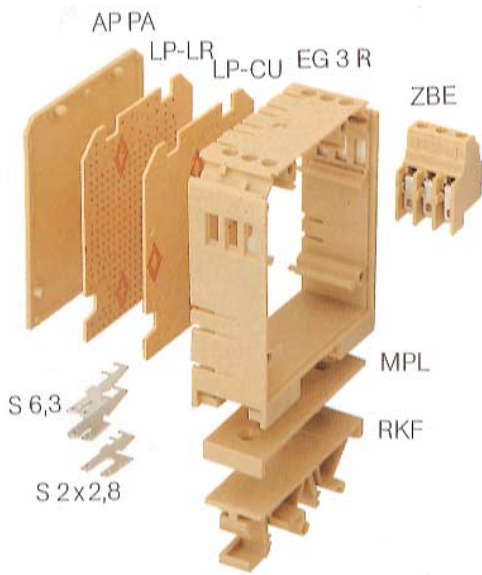
EG 2



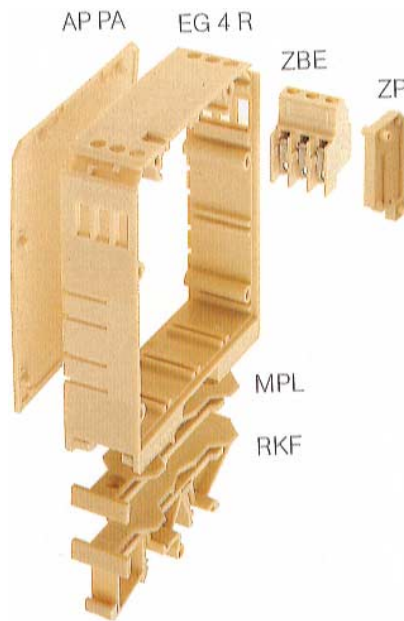
| Rated data | | | | Rated data | | | |
|--|---------------------------|-------------------|------|---------------------------|-------------------|------|--|
| Reference voltage acc. to VDE 0110 1/89 | 300 V | | | 300 V | | | |
| Pollution severity | 2 | | | 2 | | | |
| Overtoltage category | II | | | II | | | |
| Current | 10 A | | | 10 A | | | |
| Power loss (when mounted in row) | 1 W | | | 1 W | | | |
| Protection class | IP 20 | | | IP 20 | | | |
| Flammability acc. to UL level | V-2 | | | V-2 | | | |
| Upper temperature limit | 100 °C | | | 100 °C | | | |
| Connection data | | | | Connection data | | | |
| Screw connection solid | 0.5...4 mm ² | | | 0.5...4 mm ² | | | |
| Screw connection stranded | 0.5...2.5 mm ² | | | 0.5...2.5 mm ² | | | |
| Tightening torque range | 0.5 - 1.0 Nm | | | 0.5 - 1.0 Nm | | | |
| Torque phase with DMS 2 electric screwdriver | 2 | | | 2 | | | |
| Ordering data | | | | Ordering data | | | |
| Housing frame | Type | Cat. No. | Qty. | Type | Cat. No. | Qty. | |
| | EG 32/1 for TS 32 | 0453560000 | 20 | EG 2 R | 0508860000 | 20 | |
| | EG 35/1 for TS 35 | 0453860000 | 20 | | | | |
| End plate | AP PA | 0453660000 | 20 | AP PA | 0453660000 | 20 | |
| Combi foot, latchable | | | | | | | |
| Assembly plate | | | | | | | |
| Clamping yoke unit, right | | | | ZB-R | 0495960000 | 20 | |
| Clamping yoke unit, left | | | | ZB-L | 0495860000 | 20 | |
| Intermediate plate | ZP | 0453760000 | 20 | ZP | 0453760000 | 20 | |
| Connection spigot | VZ | 0510260000 | 50 | VZ | 0510260000 | 50 | |
| Connection tab 0.8 x 6.3 mm | | | | | | | |
| Connection tab 2 x 0.8 x 2.8 mm | | | | | | | |
| Tab / solder lug 0.8 x 2.8 mm | S 2.8 | 0475800000 | 20 | S 6.3 | 0496100000 | 100 | |
| Tab / solder lug 0.8 x 4.8 mm | S 4.8 | 0475700000 | 20 | S 2 x 2.8 | 0163500000 | 50 | |
| Printed circuit board, copper-coated | | | | | | | |
| Printed circuit board 5.08 pitch | | | | | | | |
| Dimensions | | | | Dimensions | | | |
| see page | 306, Fig. I | | | 306, Fig. II | | | |

Housings

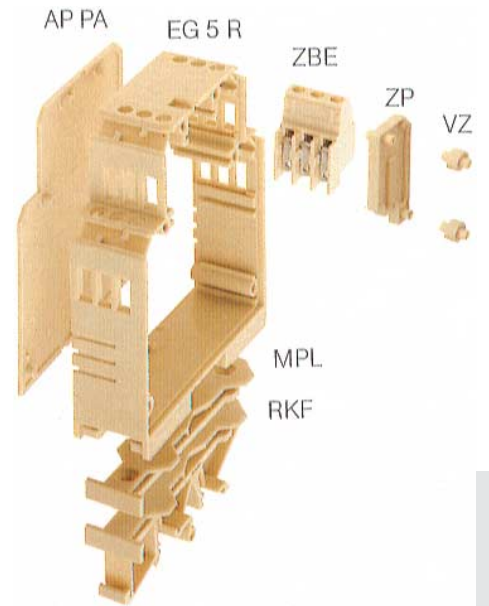
EG 3



EG 4



EG 5



| |
|---------------------------|
| 300 V |
| 2 |
| II |
| 10 A |
| 1.5 W |
| IP 20 |
| V - 2 |
| 100 °C |
| 0.5...4 mm ² |
| 0.5...2.5 mm ² |
| 0.4 - 0.8 Nm |
| 1 |

| Type | Cat. No. | Qty. |
|-----------|-------------------|------|
| EG 3 R | 0163960000 | 15 |
| AP PA | 0133760000 | 20 |
| RKF | 0163860000 | 20 |
| MPL | 0158560000 | 50 |
| ZBE | 0138360000 | 50 |
| ZBE | 0138360000 | 50 |
| VZ | 0510260000 | 50 |
| S 6.3 | 0496100000 | 100 |
| S 2 x 2.8 | 0163500000 | 50 |
| LP-CU | 0167300000 | - |
| LP-LR | 0167400000 | - |

307, Fig. V

| |
|---------------------------|
| 300 V |
| 2 |
| III |
| 10 A |
| 1.6 W |
| IP 20 |
| V - 2 |
| 100 °C |
| 0.5...4 mm ² |
| 0.5...2.5 mm ² |
| 0.4 - 0.8 Nm |
| 1 |

| Type | Cat. No. | Qty. |
|--------|-------------------|------|
| EG 4 R | 1116560000 | - |
| AP PA | 1116060000 | 20 |
| RKF | 1116260000 | 20 |
| MPL | 1116360000 | 50 |
| ZBE | 0138360000 | 50 |
| ZBE | 0138360000 | 50 |
| VZ | 0510260000 | 50 |
| ZP | 0453760000 | - |

307, Fig. VI

| |
|---------------------------|
| 300 V |
| 2 |
| III |
| 1 A |
| 1.6 W |
| IP 20 |
| V - 2 |
| 100 °C |
| 0.5...4 mm ² |
| 0.5...2.5 mm ² |
| 0.5 - 0.8 Nm |
| 1 |

| Type | Cat. No. | Qty. |
|--------|-------------------|------|
| EG 5 R | 1116860000 | - |
| AP PA | 1116160000 | 20 |
| RKF | 1116260000 | 20 |
| MPL | 1116360000 | 50 |
| ZBE | 0138360000 | 50 |
| ZBE | 0138360000 | 50 |
| VZ | 0510260000 | 50 |
| ZP | 0453760000 | - |

307, Fig. VII

Housings

Housings for pluggable printed circuit boards

| | |
|--------------------|------------------|
| Housing version | Polyamide PA 6.6 |
| Flammability class | U2 (UL 94) |
| Colour | grey |

Notes:

BLZ may only be actuated with the supply disconnected. If small power ratings need to be switched for operating reasons, empirical values are available on request.

| Description |
|--|
| Housing base completely assembled with locking foot, not cross-connectable |
| Housing base completely assembled with locking foot, cross-connectable |
| Top part with transparent cover/top unit |
| Pin header 5.08/3-pole orange; right |
| Pin header 5.08/3-pole orange; left |
| Connector socket 2-pole for BLZ 5.08/2 screw terminal |
| - orange |
| - black |
| Other colours are available on request |
| Connector socket 3-pole for BLZ 5.08/3 terminal |
| - orange |
| - black |
| Other colours are available on request |
| Connector socket 2-pole for BLZ 5.08/3 tension clamp terminal |
| - orange |
| - black |
| Connector socket 3-pole for BLZ 5.08/3 tension clamp terminal |
| - orange |
| - black |

Accessories

| |
|---------------------------------------|
| Cross-connection ZQV 2.5N/2 black |
| Cross-connection ZQV 2.5N/2 red |
| Cross-connection ZQV 2.5N/2 blue |
| Cross-connection ZQV 2.5N/2 yellow |
| Coding elements for BLZ BLZ KO black |
| Coding elements for BLZ BLZ KO orange |

WS connector marker

| |
|---|
| WS15/5 Multicard* |
| WS10/5 Multicard * |
| WS10/5 Neutral* |
| Screw cap |
| Power loss, arranged side by side, type |

Ordering example WAVEBOX S 22.5

| |
|--|
| Housing base completely assembled with locking foot, not cross-connectable |
| Top part with transparent cover/top unit |
| Pin header 5.08/3-pole orange; right |
| Pin header 5.08/3-pole orange; left |
| Connector socket 3-pole for BLZ 5.08/3 screw terminal, orange |

* Marker see page 317 + 318

Attention!

These WAVEBOX-housings are authorized only to be used in a closed control cubicle!

WAVEBOX S 22.5



| Type | Cat. No. | Qty. |
|-------------------|------------|------|
| WAVEBOX S 22.5 | 8426440000 | 10 |
| WAVEBOX S 22.5 QV | 8426450000 | 10 |
| Head | 8426460000 | 10 |
| Pin header | 8426620000 | 10 |
| Pin header | 8426630000 | 10 |
| Connector socket | 1526560000 | 100 |
| Connector socket | 1526510000 | 100 |
| Connector socket | 1707470000 | 100 |
| Connector socket | 1707700000 | 100 |

WAVEBOX L 22.5



| Type | Cat. No. | Qty. |
|-------------------|------------|------|
| WAVEBOX L 22.5 | 8426470000 | 10 |
| WAVEBOX L 22.5 QV | 8426480000 | 10 |
| Head | 8426490000 | 10 |
| Pin header | 8426620000 | 10 |
| Pin header | 8426630000 | 10 |
| Connector socket | 1526560000 | 100 |
| Connector socket | 1526510000 | 100 |
| Connector socket | 1707470000 | 100 |
| Connector socket | 1707700000 | 100 |

| | | |
|-------------------|------------|-----|
| ZQV 2.5N/2 black | 1718080000 | 60 |
| ZQV 2.5N/2 red | 1717900000 | 60 |
| ZQV 2.5N/2 blue | 1717990000 | 60 |
| ZQV 2.5N/2 yellow | 1693800000 | 60 |
| Coding element | 1545710000 | 100 |
| Coding element | 1573010000 | 100 |

| | | |
|-----------|-------------|---|
| CAP | 8428120000 | - |
| 3 W/20 °C | 2.2 W/40 °C | - |

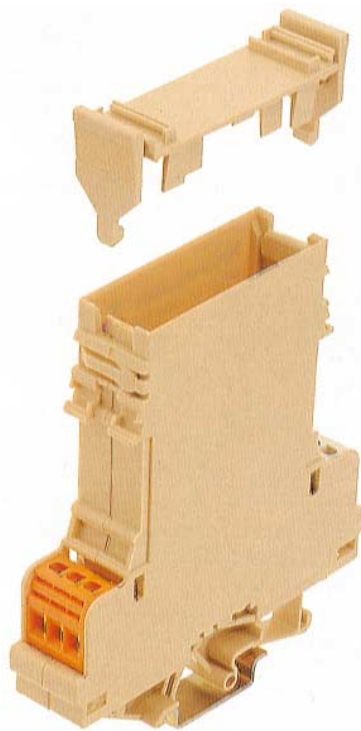
Dimension drawing, see page 308

Housings

Housings

SEG-U/LPU

EG 6



| Rated data | | | | |
|--|---------------------------|-------------------|------|--------------------------|
| Reference voltage acc. to VDE 0110 1/89 | 50 V | | | 32 V nach VDE 0110/1.89 |
| Pollution severity | 2 | | | 2 |
| Overtoltage category | III | | | III |
| Current | 1 A | | | |
| Current-carrying capacity of bus contacts | | | | 1 A/δ _U 50 °C |
| Volume resistance of bus contacts | | | | 12 mΩ |
| Printed circuit board dimensions | | | | 100 x 120 x 1.8 mm |
| Power loss (when mounted in row) | 1.5 W | | | |
| Protection class | IP 20 | | | IP 00 |
| Flammability acc. to UL level | V -2 | | | V - 2 |
| Upper temperature limit | 100 °C | | | 100 °C |
| Connection data | | | | |
| Screw connection solid | 0.5...4 mm ² | | | |
| Screw connection stranded | 0.5...2.5 mm ² | | | |
| Tightening torque range | 0.5 Nm | | | |
| Torque phase with electric screwdriver DMS 2 | 1 | | | |
| Ordering data | Type | Cat. No. | Qty. | Type |
| Housing frame | Housing SEG/U | 8007870000 | - | EG 6 (incl. front plate) |
| | Cover plate | 8066100000 | - | 8095840000 |
| End plate | | | | |
| Combi foot, latchable | | | | |
| Assembly plate | | | | |
| Clamping yoke unit, right | | | | |
| Clamping yoke unit, left | | | | |
| Intermediate plate | | | | |
| Connection spigot | | | | |
| Connection tab 0.8 x 6.3 mm | | | | |
| Connection tab 2 x 0.8 x 2.8 mm | | | | |
| Tab / solder lug 0.8 x 2.8 mm | | | | |
| Tab / solder lug 0.8 x 4.8 mm | | | | |
| Printed circuit board, copper-coated | | | | |
| Printed circuit board 2.54 pitch | | | | |
| Dimensions | | | | |
| See page | 307 | | | 307 |

Housings

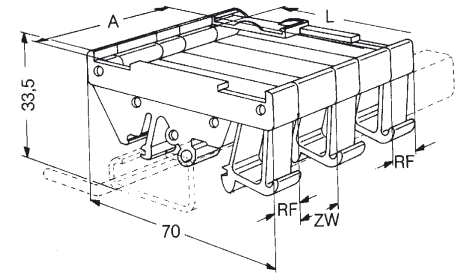
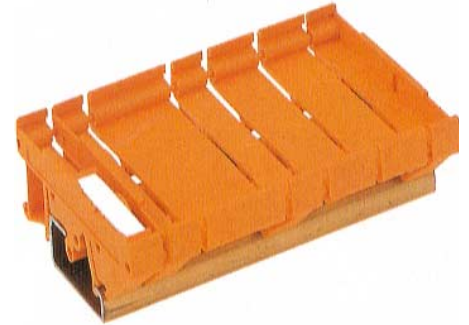
Locking socket

RS 45

Strip profile

RS 70

Locking socket
Individual parts

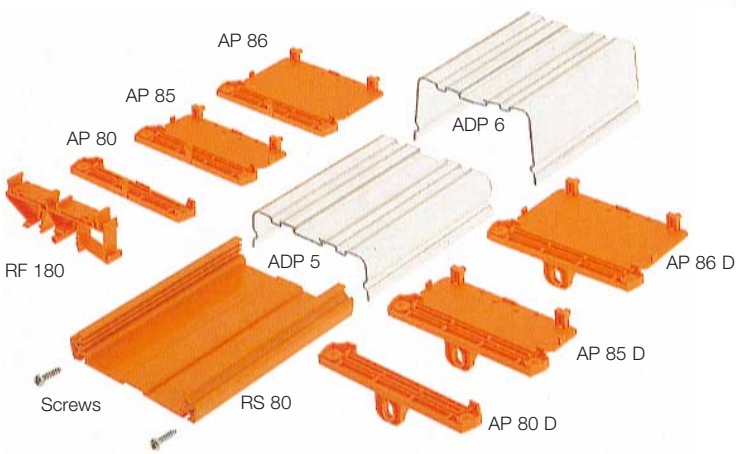


| Dimensions | | | | | | | |
|--|---|---------------------------------|-------------------|---|---------|-------------------|------|
| Fixing foot | Total width: | 45 mm | | Width: 10 mm | Maß RF | | |
| Spacer | Length: | 1000 mm/2000 mm | | Width: 5 mm/15 mm/25 mm/30 mm/45 mm | Dim. ZW | | |
| Printed circuit board | For horizontal insertion of a printed circuit board | | | Width: RS-Br-2 mm (Ex.: RS=45 mm, LP=43 mm) | Dim. A | | |
| | Width: | 42 (+0.5) mm | | Length: 67.8 (-0.2) mm | Dim. L | | |
| | Thickness: | 1.8 (+0.15) mm (DIN 40802 T. 2) | | Thickness: 1.6 (±0.2) mm (DIN 40802 Part 2) | | | |
| | Length: | optional/60...2000 mm | | | | | |
| | Dim. of RS section: printed circuit board length - 4.5 mm | | | | | | |
| | Dim. of ADP section: printed circuit board length - 1 mm | | | | | | |
| | Example: circuit board length 160 mm, RS = 155.5 mm, ADP = 159 mm | | | | | | |
| Rated data | | | | | | | |
| Flammability acc. to UL level | V-0 / V-2 strip profile / accessories | | | V-2 | | | |
| Upper temperature limit | 70 °C | | | 100 °C | | | |
| Ordering data | | Type | Cat. No. | Qty. | Type | Cat. No. | Qty. |
| String profile | | RS 45 (up to 2000 mm) | 4027750000 | 1 | | | |
| | | RS 45 (up to 1000 mm) | 8140880000 | 1 | RFB | 0119560000 | |
| Fixing foot right, with marking facility | | | | | RFO | 0126260000 | 20 |
| Fixing foot right, without marking facility | | | | | RF | 0119660000 | 20 |
| Fixing foot left, without marking facility | | | | | RFM | 0213760000 | 20 |
| Fixing foot middle (intermediate foot) | | | | | | | |
| Fixing foot (RS 80/RS 100) for TS 32/TS 35 | | | | | ZW 5 | 0119760000 | 20 |
| Spacer 5 mm | | | | | ZW 15 | 0119860000 | 20 |
| Spacer 15 mm | | | | | ZW 25 | 0126160000 | 20 |
| Spacer 25 mm | | | | | ZW 30 | 0119960000 | 20 |
| Spacer 30 mm | | | | | ZW 45 | 0120060000 | 20 |
| Spacer 45 mm | | | | | | | |
| End plate for mounting on rail without cover | AP 45/LI | AP 45/RE | 8143910000 | 8143900000 | | | |
| End plate for direct mounting without cover | AP 45/LI Di | AP 45/RE Di | 8140870000 | 8140860000 | | | |
| End plate for mounting on rail with low cover | | | | | | | |
| End plate for direct mounting with low cover | | | | | | | |
| End plate for mounting on rail with high cover | | | | | | | |
| End plate for direct mounting with high cover | | | | | | | |
| Cover profile, low | | | | | | | |
| Cover profile, high | | | | | | | |
| Screws | 30 x 14 | | 4011200000 | - | | | |
| Accessories | | | | | | | |
| Insert tag (unprinted) | | | | | ESO 7 | 0515200000 | - |
| Protective strip, transparent | | | | | SSt 7 | 0515300000 | 100 |

Housings

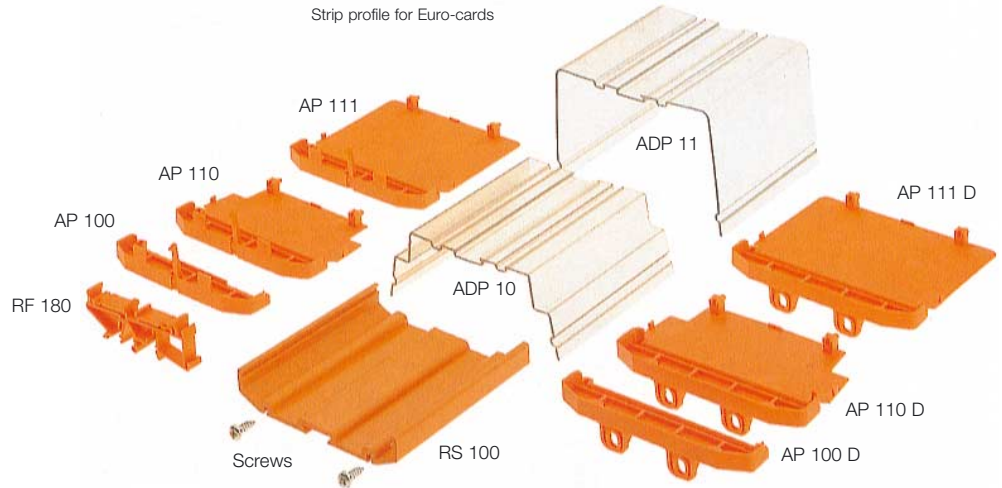
RS 80

Strip profile



RS 100

Strip profile for Euro-cards



AP RF80 RE/LT

| | |
|--------------|---------|
| Total width: | 84 mm |
| Length: | 2000 mm |

| | |
|---|---------------------------------|
| For horizontal insertion of a printed circuit board | |
| Width: | 67.8 (+0.2) mm |
| Thickness: | 1.8 (+0.15) mm (DIN 40802 T. 2) |
| Dim. RS section printed circuit board length -4.5 mm | |
| Dim. ADP section printed circuit board length -2 mm | |
| Example: circuit board length 160 mm, RS = 155.5 mm, ADP = 158 mm | |

V-0 / V-2 strip profile / accessories
70 °C

| Type | orange (RAL 2000) | grey (RAL 7032) | Qty. |
|------------------------|-------------------|-------------------|------|
| RS 80 (2000 mm) grey | | 4183130000 | 1 |
| RS 80 (2000 mm) orange | 4157440000 | | 1 |
| RF 180 | 1324460000 | 1773400000 | 20 |
| AP 80 | 1324260000 | 8320300000 | 20 |
| AP 80 D | 1324360000 | | 20 |
| AP RF 80 RE | | 8156200000 | - |
| AP RF 80 LT | | 8156210000 | - |
| AP 85 | 1410860000 | | 20 |
| AP 85 D | 1411060000 | | 20 |
| AP 86 | 1410960000 | | 20 |
| AP 86 D | 1411160000 | | 20 |
| ADP 5 (1000 mm) | 4167150000 | | - |
| ADP 6 (1000 mm) | 4167160000 | | - |
| 30 x 14 | 4011200000 | | - |

| | |
|--------------|----------------|
| Total width: | 104 mm |
| Length: | 2000 mm/160 mm |

| | |
|---|----------------------------------|
| For horizontal insertion of a printed circuit board | |
| Width: | 100 (+0.5) mm |
| Thickness: | 1.8 (+0.5) mm (DIN 40802 Part 2) |
| Dim. RS section printed circuit board length -4.5 mm | |
| Dim. ADP section printed circuit board length -1 mm | |
| Example: circuit board length 160 mm, RS = 155.5 mm, ADP = 159 mm | |

V-0 / V-2 strip profile / accessories
70 °C

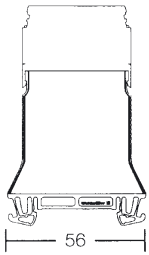
| Type | orange (RAL 2000) | grey (RAL 7032) | Qty. |
|-------------------------|-------------------|-------------------|-------|
| RS 100 (2000 mm) grey | | 4010870000 | 1 |
| RS 100 (2000 mm) orange | 4144870000 | | 1 |
| RS 100 (155 mm) | 4148400000 | | 1 |
| RF 180 | 1324460000 | 1773400000 | 20 |
| AP 100 | 1185060000 | 1773410000 | 20 |
| AP 100 D | 1185160000 | | 20 |
| AP 110 | 1185260000 | | 20 |
| AP 110 D | 1185360000 | | 20 |
| AP 111 | 1185460000 | | 20 |
| AP 111 D | 1185560000 | | 20 |
| ADP 10 (2000 mm) | 4169320000 | | (2 m) |
| ADP 11 (2000 mm) | 4169330000 | | (2 m) |
| 40 x 14 | 4019420000 | | - |

Housings

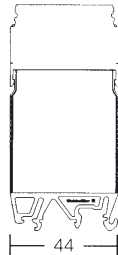
Housings EG.../RST OST

Dimensions
 Connection data
 Accessories

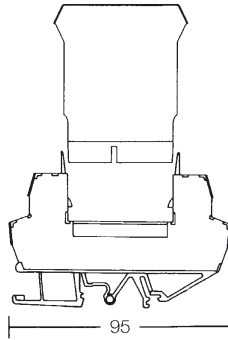
EGR/EG 7



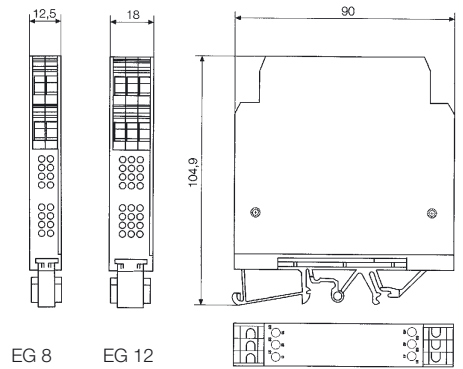
EGR/EGO



RST/EG 7



EG 8 / EG 12



| | EG 7/35 for TS 35 | EG 7/combi foot |
|------------------|-------------------|-----------------|
| Width (mm) | 10 | 10 |
| Height (mm) | | |
| with TS 35 x 7.5 | 92 | 96 |
| with TS 35 x 15 | 100 | 103 |
| with TS 32 | | 100 |
| | | |
| | | |
| | | |
| | | |

| RST/OST EG 7 | |
|------------------------|-----|
| Width (mm) | 10 |
| Height assembled (mm) | |
| 823472 for TS 32 | |
| with TS 35 x 7.5 | 91 |
| with TS 35 x 15 | 99 |
| 819383 with combi foot | |
| with TS 35 x 7.5 | 93 |
| with TS 35 x 15 | 101 |
| with TS 32 | 97 |
| | |
| | |
| | |

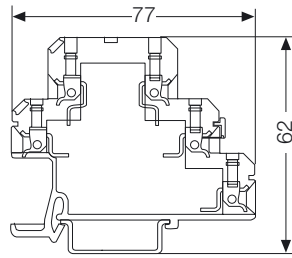
| Dimensions | |
|--------------|-------|
| EG 8 | |
| Width (mm) | 12.5 |
| Height (mm) | 104.9 |
| EG 12 | |
| Width (mm) | 18 |
| Height (mm) | 104.9 |
| | |
| | |
| | |

Housings

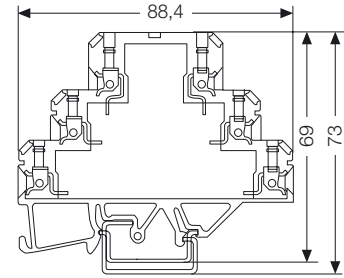
Housings

Dimensions
Connection data
Accessories

DK 5



DK 6



| Dimensions | |
|---|-----------|
| Terminal width (+ fitting tolerance 0.2 mm) | |
| Insulating stripping length | |
| Connection data | |
| Screw connection, solid | |
| Screw connection, stranded | |
| Connection cross-section | |
| Accessories | |
| Mounting rail (2 m lengths) | y |
| | w |
| | v |
| End bracket | for TS 32 |
| | for TS 35 |
| End plate | |
| Marking material* | |

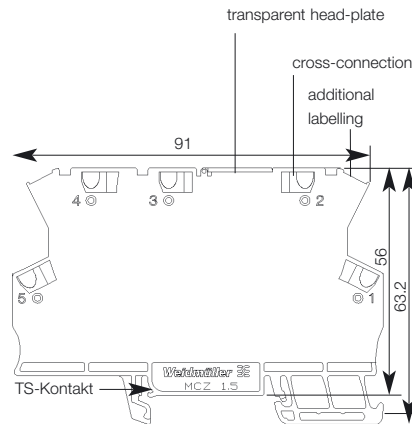
| DK 5 | |
|-----------------------------|-------------------------|
| Terminal width | 6 mm |
| Insulating stripping length | 9 mm |
| Connection data | |
| Screw connection, solid | 0.5...4 mm ² |
| Screw connection, stranded | 0.5...4 mm ² |
| Connection cross-section | AWG 20...12 |
| Accessories | |
| Type | Cat. No. |
| TS 32 | 0122800000 |
| TS 35 x 7.5 | 0383400000 |
| TS 35 x 15 | 0498000000 |
| EWK 2 | 0199360000 |
| EW 35 | 0383560000 |
| AP | 8268870000 |
| dekafix 5 | |

| DK 6 | |
|-----------------------------|-------------------------|
| Terminal width | 8 mm |
| Insulating stripping length | 9 mm |
| Connection data | |
| Screw connection, solid | 0.5...4 mm ² |
| Screw connection, stranded | 0.5...4 mm ² |
| Connection cross-section | AWG 20...12 |
| Accessories | |
| Type | Cat. No. |
| TS 32 | |
| TS 35 x 7.5 | 0383400000 |
| TS 35 x 15 | 0498000000 |
| EWK 2 | 0199360000 |
| EW 35 | 0383560000 |
| AP | 8324560000 |
| dekafix 5 | |

*For more information see sectional catalogue 5/installation products

Housings miniconditioner MCZ

Dimensions
Connection data
Accessories



| Dimensions | |
|------------------------------------|---------------------------|
| Width (mm) + fitting tolerance 0.2 | 6 |
| Insulating stripping length (mm) | 6 |
| Connection data | |
| Z-spring connection, solid | 0.5...1.5 mm ² |
| Z-spring connections, stranded | 0.5...1.5 mm ² |
| Connection cross-section | AWG 26...16 |
| Accessories | |
| Mounting rail (2 m lengths) w | |
| Mounting rail (2 m lengths) v | |
| End plate | |
| End bracket for TS 35 | |
| Cross-connection (pluggable) | |

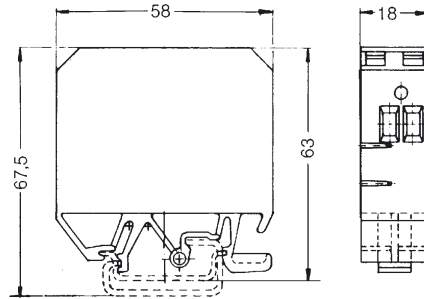
| MCZ | |
|---------------|------------|
| Type | Cat. No. |
| TS 35 x 7.5 | 0383400000 |
| TS 35 x 15 | 0498000000 |
| APMCZ 1.5 | 8389030000 |
| EW 35 | 0383560000 |
| EW 35 | 0383560000 |
| ZQV 4 2-pole | 1608950000 |
| ZQV 4 3-pole | 1608960000 |
| ZQV 4 4-pole | 1608970000 |
| ZQV 4 5-pole | 1608980000 |
| ZQV 4 6-pole | 1608990000 |
| ZQV 4 7-pole | 1609000000 |
| ZQV 4 8-pole | 1609010000 |
| ZQV 4 9-pole | 1609020000 |
| ZQV 4 10-pole | 1609030000 |

Housings

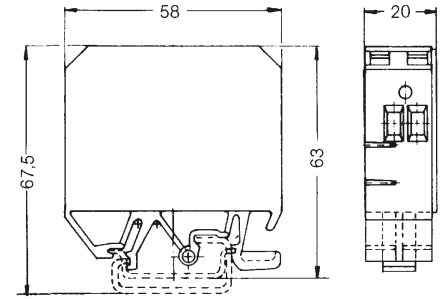
Housings EG.../EG-U/LPU

Dimensions
Connection data
Accessories

EG 1 - Fig. I



EG 2 - Fig. II

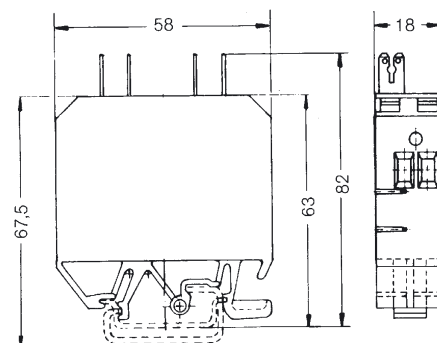


| Dimensions | |
|--|-------------------------|
| Terminal width (+fitting tolerance 0.2 mm) | 18 mm |
| Insulating stripping length | 12 mm |
| Connection data | |
| Screw connection, solid | 0.5...6 mm ² |
| Screw connection, stranded | 0.5...4 mm ² |
| Connection cross-section | AWG 20...12 |
| Accessories | |
| Mounting rail (2 m lengths) | Y |
| | W |
| | U |
| End bracket | for TS 32 |
| | for TS 35 |
| Cross connection wire: 80 mm long, 50-pole/1 mm ² | |
| Marking material* | |

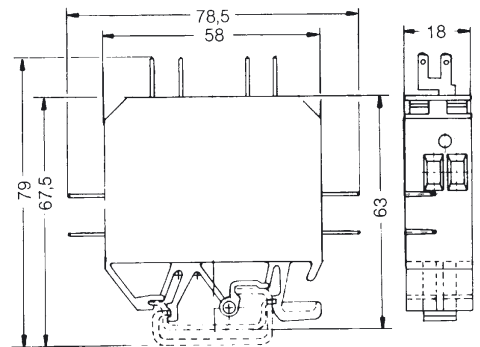
| Type | Cat. No. |
|------------------|------------|
| TS 32 | 0122800000 |
| TS 35 x 7.5 | 0383400000 |
| TS 35 x 15 | 0498000000 |
| EKW 2 | 0199360000 |
| EW 35 | 0383560000 |
| QD 50/grey | 0238700000 |
| dekafix 5 | |

| Type | Cat. No. |
|------------------|------------|
| TS 32 | 0122800000 |
| TS 35 x 7.5 | 0383400000 |
| TS 35 x 15 | 0498000000 |
| EKW 2 | 0199360000 |
| EW 35 | 0383560000 |
| QD 50/grey | 0238700000 |
| dekafix 5 | |

EG 2 - Fig. III



EG 2 - Fig. IV



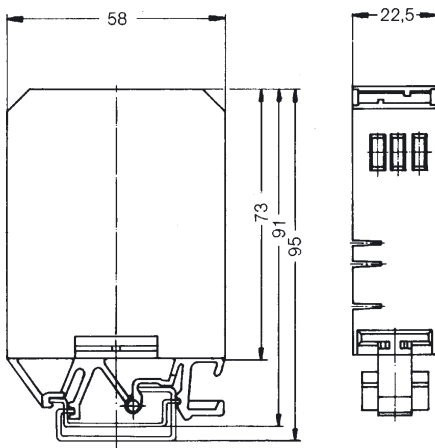
| Dimensions | |
|--|------------------------------------|
| Terminal width (+fitting tolerance 0.2 mm) | 18 mm |
| Insulating stripping length | |
| Connection data | |
| Screw connection, solid | |
| Screw connection, stranded | |
| Tab connection (DIN 46247) | 2x 0.8 x 2.8 mm or 1x 0.8 x 6.3 mm |
| Connection cross-section | |
| Accessories | |
| Mounting rail (2 m lengths) | Y |
| | W |
| | U |
| End bracket | for TS 32 |
| | for TS 35 |
| Cross connection wire: 80 mm long, 50-pole/1 mm ² | |
| Marking material* | |

| Type | Cat. No. |
|------------------|------------|
| TS 32 | 0122800000 |
| TS 35 x 7.5 | 0383400000 |
| TS 35 x 15 | 0498000000 |
| EKW 2 | 0199360000 |
| EW 35 | 0383560000 |
| QD 50/grey | 0238700000 |
| dekafix 5 | |

| Type | Cat. No. |
|------------------|------------|
| TS 32 | 0122800000 |
| TS 35 x 7.5 | 0383400000 |
| TS 35 x 15 | 0498000000 |
| EKW 2 | 0199360000 |
| EW 35 | 0383560000 |
| QD 50/grey | 0238700000 |
| dekafix 5 | |

Housings

EG 3 - Fig. V



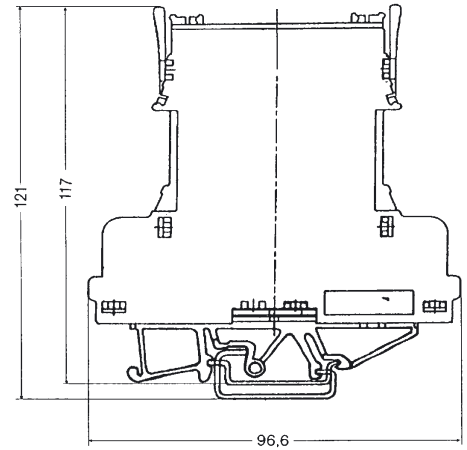
with assembly plate MPL

22.5 mm
17 mm

0.5...4 mm²
0.5...2.5 mm²

| Type | Cat. No. |
|--------------------|------------|
| TS 32 | 0122800000 |
| TS 35 x 7.5 | 0383400000 |
| TS 35 x 15 | 0498000000 |
| EKW 2 | 0199360000 |
| EW 35 | 0383560000 |
| QD 50/grey | 0238700000 |
| dekafix 6.5 | |

SEG-U/LPU



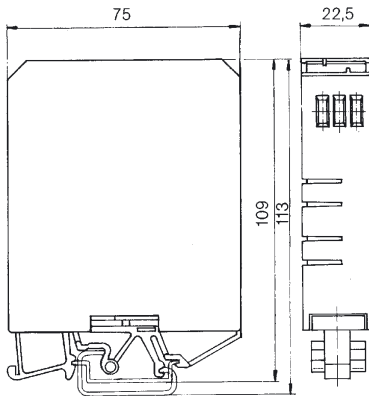
with assembly plate MPL

20 mm
17 mm

0.5...4 mm²
0.5...2.5 mm²
AWG 26...14

| Type | Cat. No. |
|------------------|------------|
| TS 32 | 0122800000 |
| TS 35 x 7.5 | 0383400000 |
| TS 35 x 15 | 0498000000 |
| EKW 2 | 0199360000 |
| EW 35 | 0383560000 |
| QD 50/grey | 0238700000 |
| dekafix 5 | |

EG 4 - Fig. VI

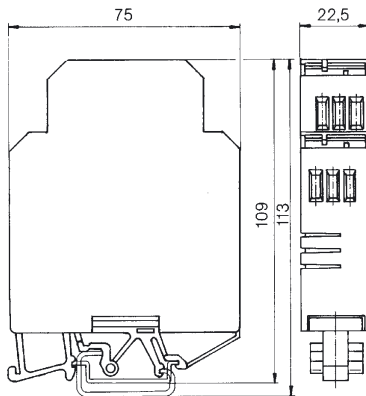


22.5 mm
17 mm

0.5...4 mm²
0.5...2.5 mm²
AWG 22...12

| Type | Cat. No. |
|--------------------|------------|
| TS 32 | 0122800000 |
| TS 35 x 7.5 | 0383400000 |
| TS 35 x 15 | 0498000000 |
| EKW 2 | 0199360000 |
| EW 35 | 0383560000 |
| QD 50/grey | 0238700000 |
| dekafix 6.5 | |

EG 5 - Fig. VII

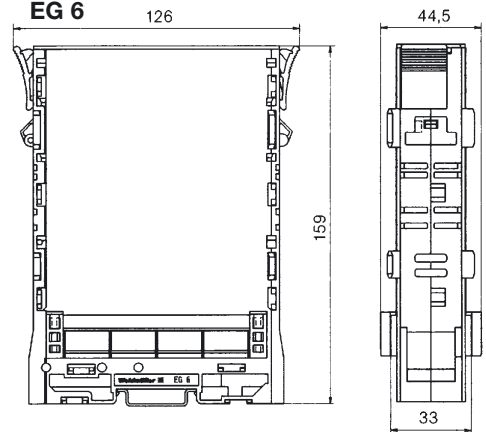


22.5 mm
17 mm

0.5...4 mm²
0.5...2.5 mm²
AWG 22...12

| Type | Cat. No. |
|--------------------|------------|
| TS 32 | 0122800000 |
| TS 35 x 7.5 | 0383400000 |
| TS 35 x 15 | 0498000000 |
| EKW 2 | 0199360000 |
| EW 35 | 0383560000 |
| QD 50/grey | 0238700000 |
| dekafix 6.5 | |

EG 6



Anreihmaß

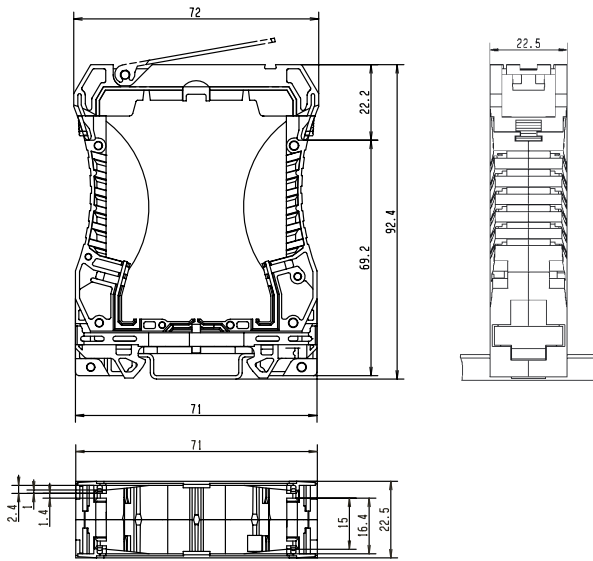
20 mm
17 mm

0.5...4 mm²
0.5...2.5 mm²
AWG 26...14

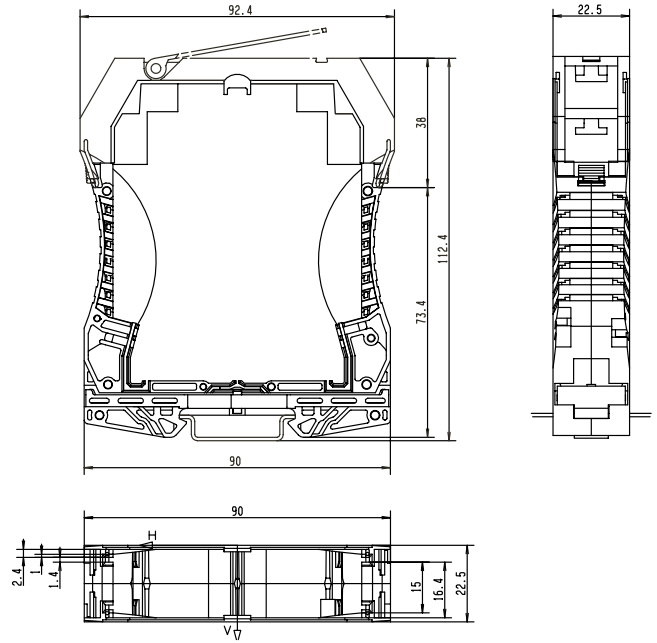
| Type | Cat. No. |
|------------------|------------|
| TS 32 | 0122800000 |
| TS 35 x 7.5 | 0383400000 |
| TS 35 x 15 | 0498000000 |
| EKW 2 | 0199360000 |
| EW 35 | 0383560000 |
| QD 50/grey | 0238700000 |
| dekafix 5 | |

Housings

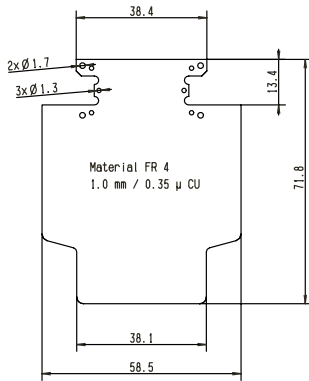
WAVEBOX S 22.5



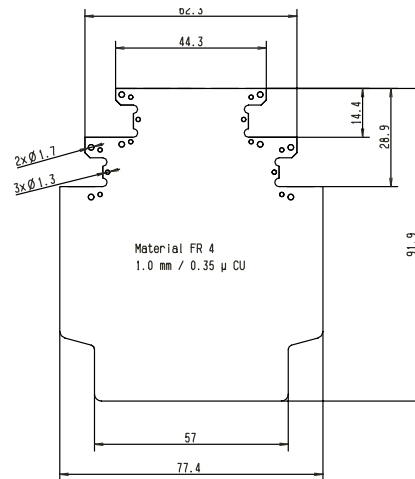
WAVEBOX L 22.5



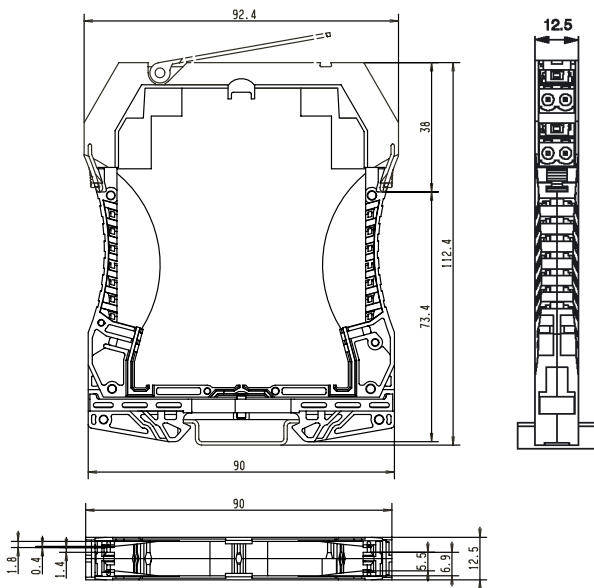
Printed circuit board S 22.5



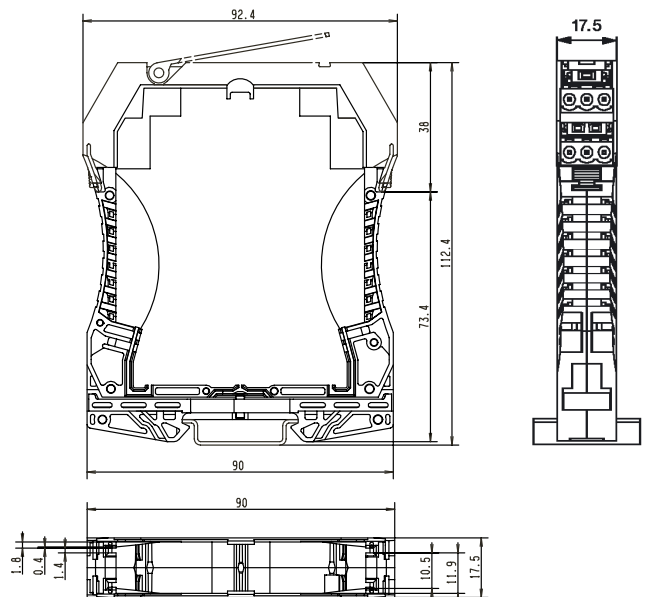
Printed circuit board L 22.5



WAVEBOX 12.5



WAVEBOX 17.5

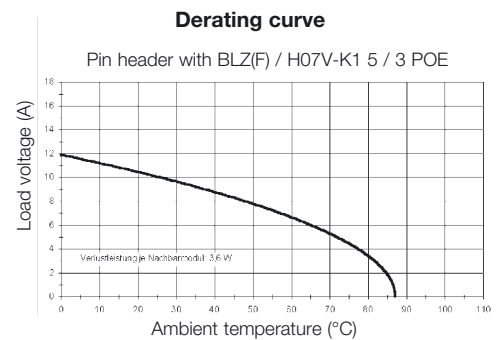
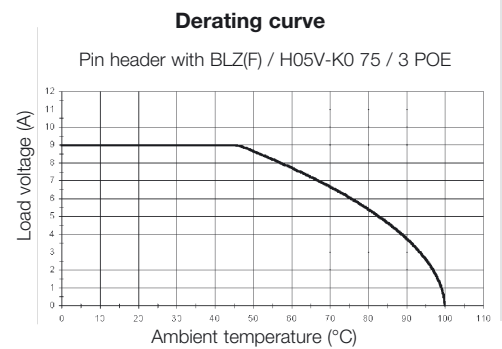
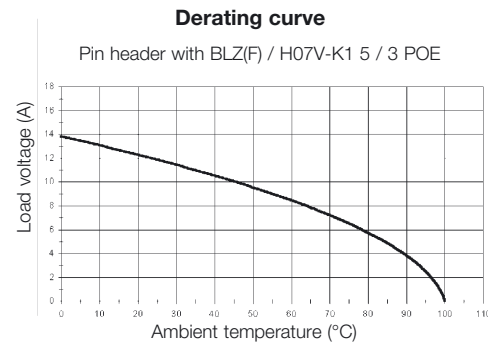


Housings

Socket blocks BLZ 5.08 / BLZF 5.08

| Materials data | BLZ 5.08/SL 5.08 | BLZF 5.08 |
|--------------------------------------|-----------------------------------|-----------------------------------|
| Insulating material | PBT | PBT |
| Colour | orange | orange |
| Temperature range | -20.. +100 °C | -20.. +100 °C |
| Flammability class | UL 94 (VO) | UL 94 (VO) |
| Contact base material | CuSn | CuSn |
| Contact surface | tin plated | tin plated |
| Characteristic system values | | |
| Pitch | 5.08 mm | 5.08 mm |
| Clearance | ≥ 2.5 mm | ≥ 3 mm |
| Creepage distance | ≥ 4.0 mm | ≥ 4.0 mm |
| Connection technology | Screw/solder connection | Tension clamp connection |
| Length of soldering pin | 3.2/4.5 mm | |
| Mounting hole | ∅ 1.3 + 0.1 mm | |
| Insulating stripping length | 7 mm | 7 mm |
| Terminal screw | M 2.5 | |
| Isolations resistance | ≥ 10 MΩ | ≥ 10 ⁵ MΩ |
| Trough resistance | ≤ 5 mΩ | ≤ 5 mΩ |
| Connectable wires | | |
| Terminal range | 0.08...2.5 mm ² | 1.5 mm ² |
| "e" solid H05(07)V-U | 0.5...2.5 mm ² | 0.13...1.5 mm ² |
| "f" flexible H05(07)V-K | 0.5...2.5 mm ² | 0.13...2.5 mm ² |
| "f" with ferrules | | |
| according to DIN 46228/1 | 0.5...2.5 mm ² | 0.05...2.5 mm ² |
| with plastic collar | | |
| according to DIN 46228/4 | 0.5...1.5 mm ² | 1.5 mm ² |
| AWG wire | 28...14 | 26...14 |
| Plug gauge acc. to EN 60947-1/10.91 | A3 | |
| Rated data according to VDE | | VDE 0110 2.79 |
| Rated cross-section | 2.5mm ² | 2.5mm ² |
| Rated current | 12A ¹⁾ | 12A ¹⁾ |
| Current capacity | see derating curves ²⁾ | see derating curves ²⁾ |
| Test voltage | 2.0 kV~ | 2.0 kV~ |
| Nominal torque | 0.5 Nm | |
| Rated data according to | | VDE 0110 1.89 |
| Rated cross-section | | 1.5mm ² |
| Rated current (T _u =20°C) | | 12A ³⁾ |
| Rated voltage | | 250 V |
| Rated impulse voltage | | 4 kV |
| Pollution severity | | 3 |
| Rated data according to UL | Rated data according to UL | |
| AWG wire | 22...12 | 26...14 |
| Rated current | 10 A | 10 A |
| Rated voltage, industriell | 300 V~ | 300 V~ |
| Operation tool | | |
| Screwdriver type SD/SDI 5 | | |
| Approvals | List on request | Applied for |

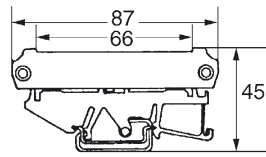
¹⁾ Rated cross-section and max. number of poles established from derating curve at 20 °C ambient temperature
²⁾ Further derating curves on demand



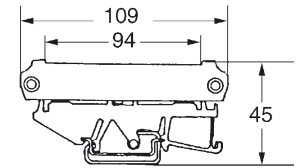
Housings

Locking socket profiles RS

RS 80

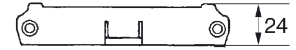


RS 100

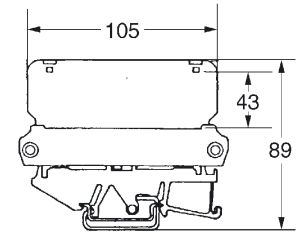
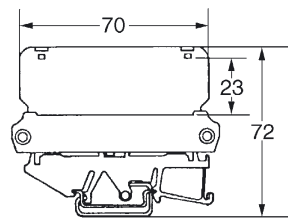


Rail mounting without cover

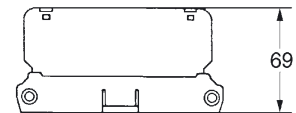
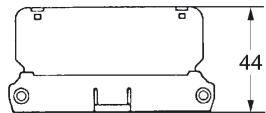
Direct mounting without cover



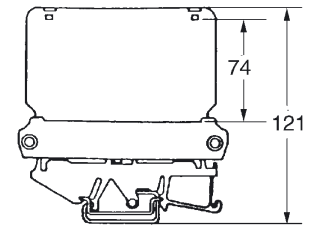
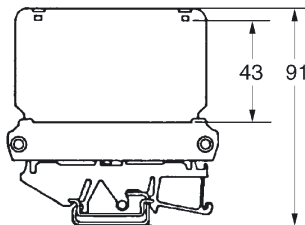
Rail mounting with low cover



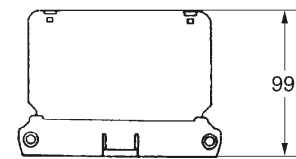
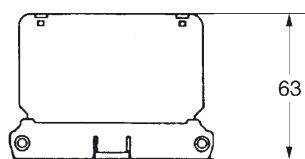
Direct mounting with low cover



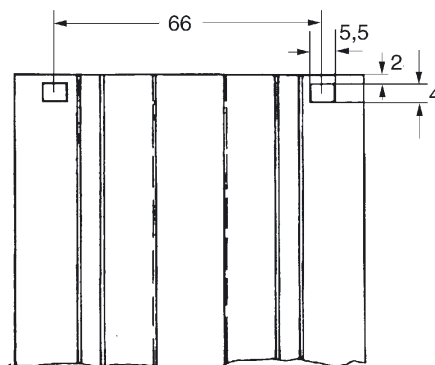
Rail mounting with high cover



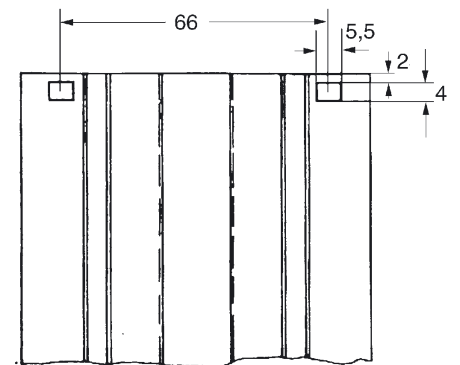
Direct mounting with high cover



Fixing holes



ADP 5 / ADP 6



ADP 10 / ADP 11

Housings

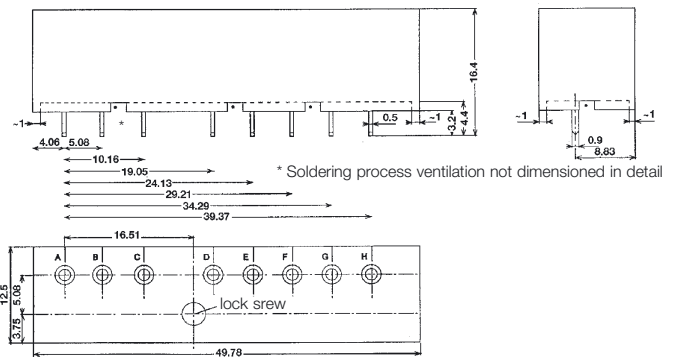
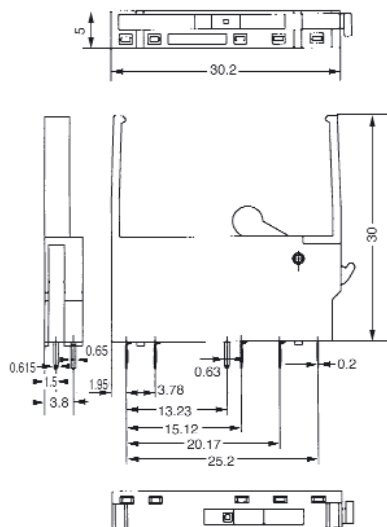
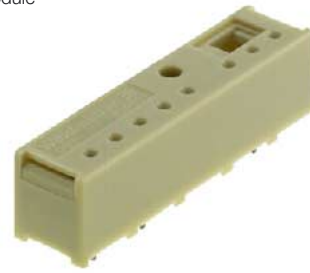
Pluggable relay socket RSS 5MM

- Suitable for PCB mounting
- For miniature all-or-nothing relays type *Tyco* SNR, *NAIS* APE ...
- Mechanical interlock with eject lever



Semi-wire relay socket OS 2 and OS 2/5

- Suitable for PCB mounting
- For solid state relays Type *Opto 22*, *Crouzet* ...
- Secured in socket by fixing screws integrated in the module



Ordering data

| Type | Cat. No. |
|----------|------------|
| RSS 5 MM | 4056360000 |

Technical data

| | |
|----------------------------------|-------|
| Input voltage | 250 V |
| Output voltage | 250 V |
| Max. switching current | 6 A |
| Rated current | 5 A |
| Flammability class acc. to UL 94 | V-2 |

Insulation coordination acc. to EN 50178

| | |
|-----------------------|--------------------|
| Rated voltage | 250 V |
| Rated impulse voltage | |
| Input circuit | 4 kV (1.2/50 μs) |
| Output circuit | 4 kV (1.2/50 μs) |
| Input < output | < 8 kV (1.2/50 μs) |
| Overvoltage category | III |
| Pollution severity | 2 |

Ambient conditions

| | |
|---------------------|-------------------|
| Ambient temperature | - 25°C ... + 50°C |
| Storage temperature | - 40°C ... + 85°C |

Dimensions

| | |
|-------------------------|------------------|
| Length / width / height | 30,2 / 5 / 30 mm |
| Soldering pin | 3.5 mm |

Ordering data

| Type | Cat. No. |
|-------|--------------------------|
| OS2 | 9455210000 ¹⁾ |
| OS2/5 | 9457640000 ²⁾ |

Technical data

| | |
|----------------------------------|-------|
| Input voltage | 250 V |
| Output voltage | 250 V |
| Rated current | 5 A |
| Flammability class acc. to UL 94 | V-2 |

Insulation coordination acc. to EN 50178

| | |
|-----------------------|--------------------|
| Rated voltage | 250 V |
| Rated impulse voltage | |
| Input circuit | 4 kV (1.2/50 μs) |
| Output circuit | 4 kV (1.2/50 μs) |
| Input < output | < 8 kV (1.2/50 μs) |
| Overvoltage category | III |
| Pollution severity | 2 |

Ambient conditions

| | |
|---------------------|-------------------|
| Ambient temperature | - 25°C ... + 50°C |
| Storage temperature | - 40°C ... + 85°C |

Dimensions

| | |
|-------------------------|------------------------|
| Length / width / height | 49,78 / 12,5 / 13,2 mm |
| Soldering pin | 3,2 mm |

¹⁾ equipped with with contact sockets B, C, F, H

²⁾ equipped with with contact sockets A, B, C, F, H

Looking for pricing, stock, or lifecycle information?

Click below to explore more details on WIN SOURCE:

 [View 1609010000 on WIN SOURCE](#)

 [Weidmuller Information](#)

Optimize Your Supply Chain with WIN SOURCE Solutions

-  Global Sourcing Solution
-  Obsolete Management
-  Cost Control Management
-  Shortage Management
-  Alternative Solution
-  Excess Inventory Management