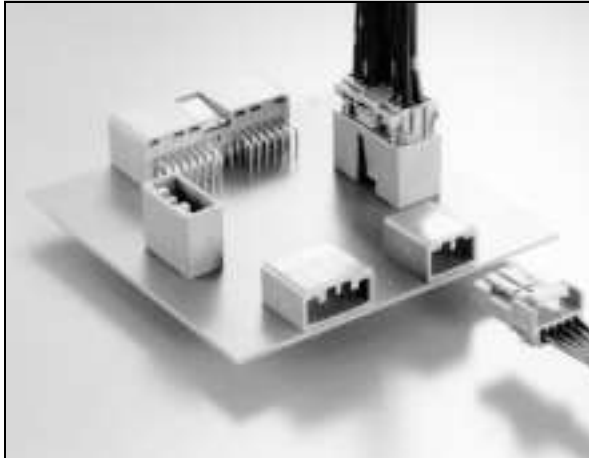


IL-AG5 SERIES AUTOMOTIVE CONNECTORS

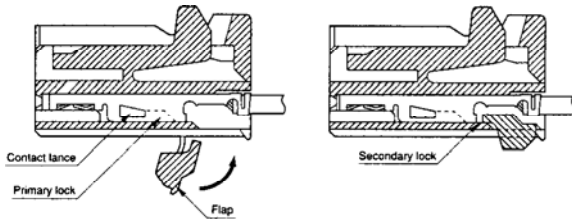
025 Crimp Contacts, PCB-to-Cable/Cable-to-Cable Applications



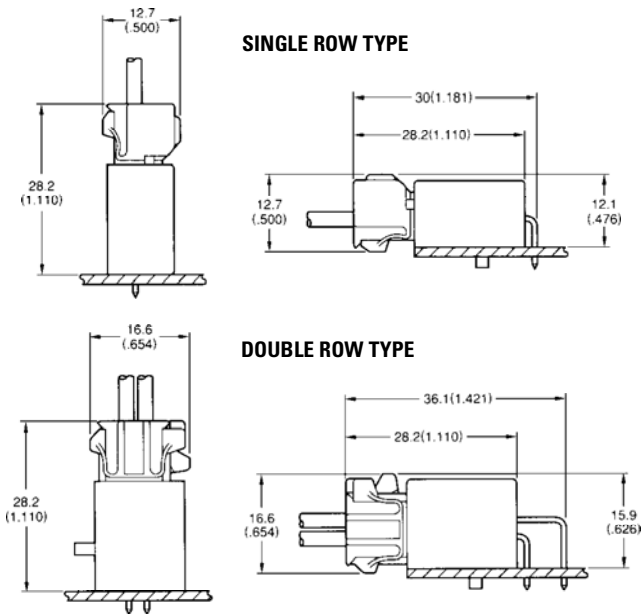
FEATURES

- Designed for automotive instrument panel applications
- Mechanical lock assures positive mating
- Unique housing configuration helps prevent mismatching
- Double locking mechanism prevents dislodging of contacts

Connector Profile (Ref.)



- Polarized version is available (Single row, 5 and 6 contacts only)
- Highly reliable socket contacts
- Simplified crimp-type termination



GENERAL SPECIFICATIONS

| | |
|---------------------------------|---|
| Number of Contacts | 5, 6, 7, 10 (single row) 14, 16, 18, 22, 30 (double row) |
| Contact Spacing | 2.5mm (.098") |
| Current Rating | 3 Amps |
| Dielectric Withstanding Voltage | 1000 VAC r.m.s. (for one minute) |
| Insulation Resistance | 100 megohms min. |
| Contact Resistance | 10 milliohms max. |
| Applicable PCB Thickness | 1.6 to 2.4mm (.063" to .094") |
| Operating Temperature | -40°C to +85°C |

APPLICABLE WIRE (Stranded)

| | | |
|------------------------------|------------------------------|---------------------|
| Wire Type (JIS) | AV, AVS, AVSS | AVS, AVSS |
| AWG No. | #22 to #20 | #18 |
| Conductor Cross Section Area | 0.3 to 0.5mm ² | 0.85mm ² |
| Insulation Outer Dia. | 1.4 to 2.4mm (.055 to .094") | |

MATERIALS AND FINISHES

| | |
|----------------|--|
| Description | Materials/Finishes |
| Insulator | PBT, Yellow (Green or Light Blue for polarized version) |
| Pin Contact | Brass/Tin Plating Cable plug pin contact: Highly conductive Copper alloy |
| Socket Contact | Phosphor Bronze /Tin Plating |

Note: The standard finish of contacts is tin plating.
Gold plating is available as an option. Consult JAE for details.

ORDERING INFORMATION IL-AG5 - ** * * - * 3 * * - * - **

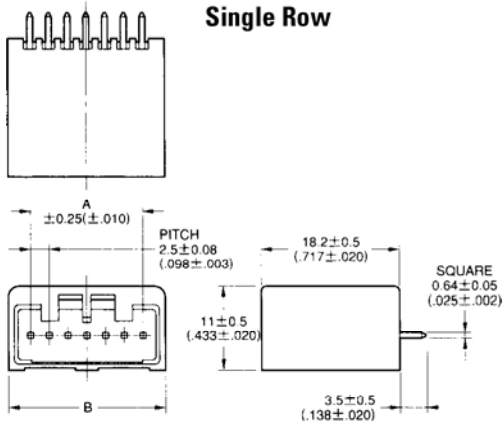
| | |
|---------------------------------------|--|
| Series | IL-AG5 |
| No. of Contacts | 5, 6, 7, 10 (Single Row) 14, 16, 18, 22, 30 (Double Row) |
| Contact Type | P - Pin S - Socket |
| Modification Code | K - Polarized version, 5 and 6 contacts only Blank - Standard type |
| Contact Layout | S - Single Row D - Double Row |
| Contact Pitch | 3 - 2.5mm (.098") |
| Termination | T - Straight Through Hole L - Right Angle Through Hole C - Crimp |
| Applicable PCB Thickness (pin header) | 2 - 1.6mm (.063") |
| Applicable Wire Size (Housing) | 1 - AWG #18 to #22, Stranded |
| Modification Code A | |
| Insulator Color | LB - Light Blue Blank - Green |

Dimensions and specifications subject to change without notice.

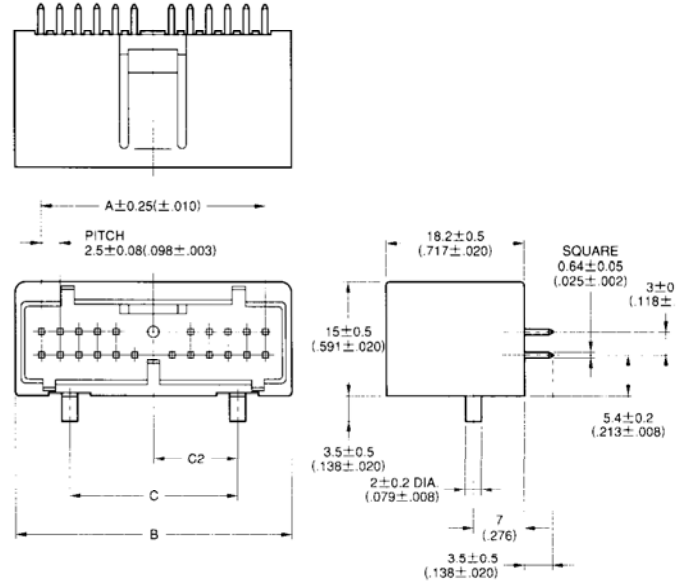
IL-AG5 SERIES AUTOMOTIVE CONNECTORS

025 Crimp Contacts, PCB-to-Cable/Cable-to-Cable Applications

STRAIGHT PIN HEADER

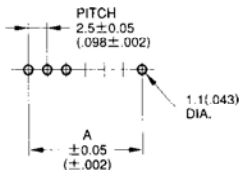


Double Row



Note: Configuration of mating area differs slightly depending on the number of contacts.

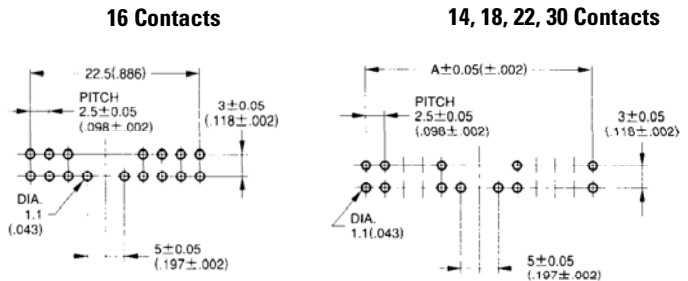
PCB Hole Pattern (Ref.)



Configuration of Mating Area (Ref.)

| No. of Contacts | Standard | Polarized Version |
|-----------------|----------|-------------------|
| 5 | | |
| 6 | | |

PCB Hole Pattern (Ref.)



• Single Row

| No. of Contacts | Part Number | | A ± 0.25 (±.010) | B ± 0.5 (±.020) |
|-----------------|-----------------|--------------------|---------------------|--------------------|
| | Standard | Polarized Version | | |
| 5 | IL-AG5- 5P-S3T2 | IL-AG5-5PK-S3T2-LB | 10.0 (.394) | 15.8 (.622) |
| 6 | IL-AG5- 6P-S3T2 | IL-AG5-6PK-S3T2-LB | 12.5 (.492) | 18.3 (.720) |
| 7 | IL-AG5- 7P-S3T2 | — | 15.0 (.591) | 20.8 (.819) |
| 10 | IL-AG5-10P-S3T2 | — | 22.5 (.886) | 28.3 (1.114) |

• Double Row

| No. of Contacts | Part Number | A | B | C | C2 |
|-----------------|-------------------|----------------|---------------|---------------|---------------|
| | | ± 0.25 (±.010) | ± 0.5 (±.020) | ± 0.2 (±.008) | ± 0.1 (±.004) |
| 14 | IL-AG5-14P-D3T2-A | 20.0 (.787) | 26.5 (1.043) | 12.5 (.492) | 6.25 (.246) |
| 16 | IL-AG5-16P-D3T2-A | 22.5 (.886) | 29.0 (1.142) | 15.0 (.591) | 8.75 (.344) |
| 18 | IL-AG5-18P-D3T2 | 25.0 (.984) | 31.5 (1.240) | 17.5 (.689) | 8.75 (.344) |
| 22 | IL-AG5-22P-D3T2 | 30.0 (1.181) | 36.5 (1.437) | 22.5 (.886) | 11.25 (.443) |
| 30 | IL-AG5-30P-D3T2 | 40.0 (1.575) | 46.5 (1.831) | 30.0 (1.181) | 15.00 (.591) |

Dimensions in mm (i)

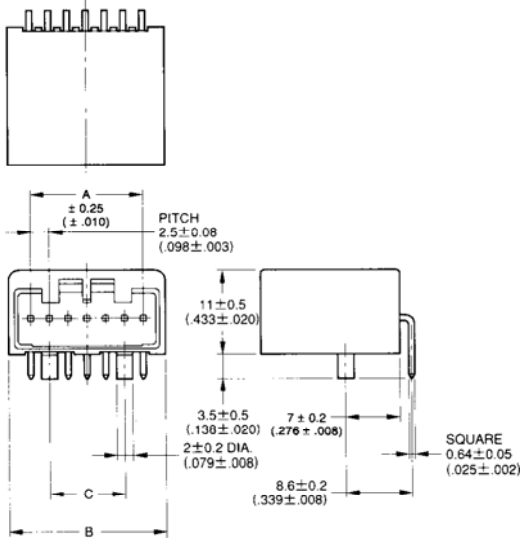


IL-AG5 SERIES AUTOMOTIVE CONNECTORS

025 Crimp Contacts, PCB-to-Cable/Cable-to-Cable Applications

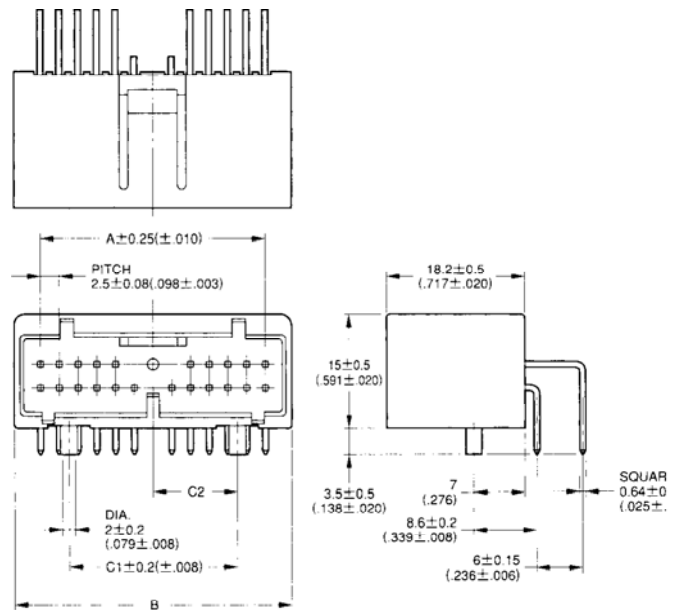
RIGHT ANGLE PIN HEADER

Single Row



Note: Configuration of mating area slightly differs depending on the number of contacts.

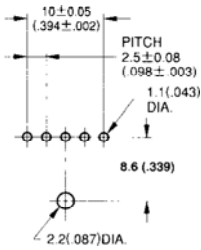
Double Row



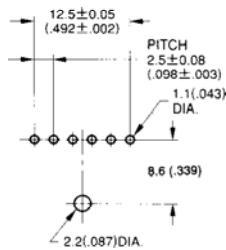
PCB Hole Pattern (Ref.)

PCB Hole Pattern (Ref.)

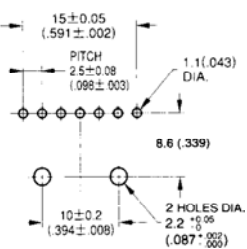
5 Contacts



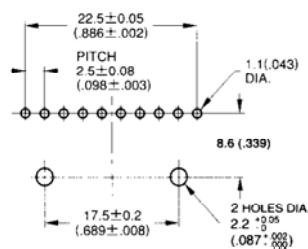
6 Contacts



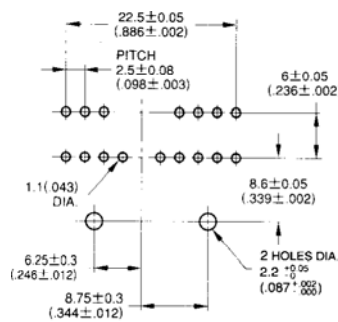
7 Contacts



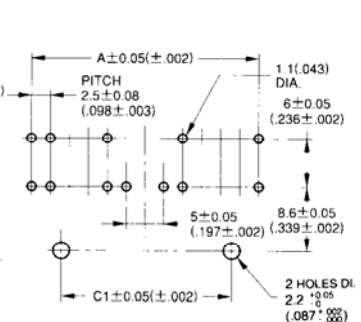
10 Contacts



16 Contacts



14, 18, 22, 30 Contacts



• Double Row

| No. of Contacts | Part Number | A ± 0.25 ($\pm .010$) | B ± 0.5 ($\pm .020$) | C1 ± 0.2 ($\pm .008$) | C2 ± 0.1 ($\pm .004$) |
|-----------------|-------------------|--------------------------------|-------------------------------|--------------------------------|--------------------------------|
| 14 | IL-AG5-14P-D3L2-A | 20.0 (.787) | 26.5 (1.043) | 12.5 (.492) | 6.25 (.246) |
| 16 | IL-AG5-16P-D3L2-A | 22.5 (.886) | 29.0 (1.142) | 15.0 (.591) | 8.75 (.344) |
| 18 | IL-AG5-18P-D3L2 | 25.0 (.984) | 31.5 (1.240) | 17.5 (.689) | 8.75 (.344) |
| 22 | IL-AG5-22P-D3L2 | 30.0 (1.181) | 36.5 (1.437) | 22.5 (.886) | 11.25 (.443) |
| 30 | IL-AG5-30P-D3L2 | 40.0 (1.575) | 46.5 (1.831) | 30.0 (1.181) | 15.00 (.591) |

• Single Row

| No. of Contacts | Part Number | | A ± 0.25 ($\pm .010$) | B ± 0.5 ($\pm .020$) | C ± 0.2 ($\pm .008$) |
|-----------------|-----------------|--------------------|--------------------------------|-------------------------------|-------------------------------|
| | Standard | Polarized Version | | | |
| 5 | IL-AG5- 5P-S3L2 | IL-AG5-5PK-S3L2-LB | 10.0 (.394) | 15.8 (.622) | — |
| 6 | IL-AG5- 6P-S3L2 | IL-AG5-6PK-S3L2-LB | 12.5 (.492) | 18.3 (.720) | — |
| 7 | IL-AG5- 7P-S3L2 | — | 15.0 (.591) | 20.8 (.819) | 10.0 (.394) |
| 10 | IL-AG5-10P-S3L2 | — | 22.5 (.886) | 28.3 (1.114) | 17.5 (.689) |

Note: Refer to Socket Housing information for configuration of mating area of polarized version.

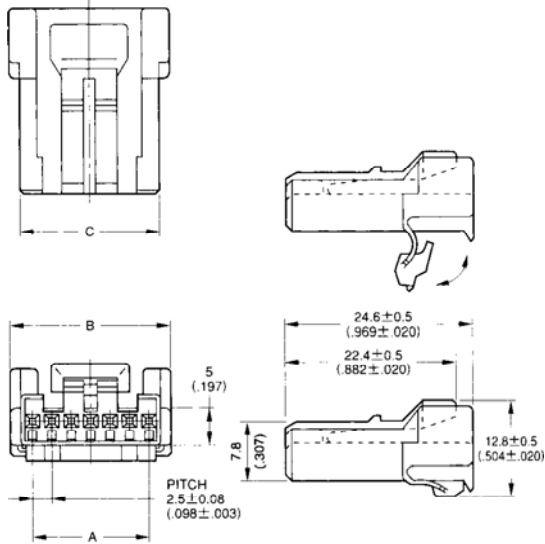
Dimensions in mm (inches).

IL-AG5 SERIES AUTOMOTIVE CONNECTORS

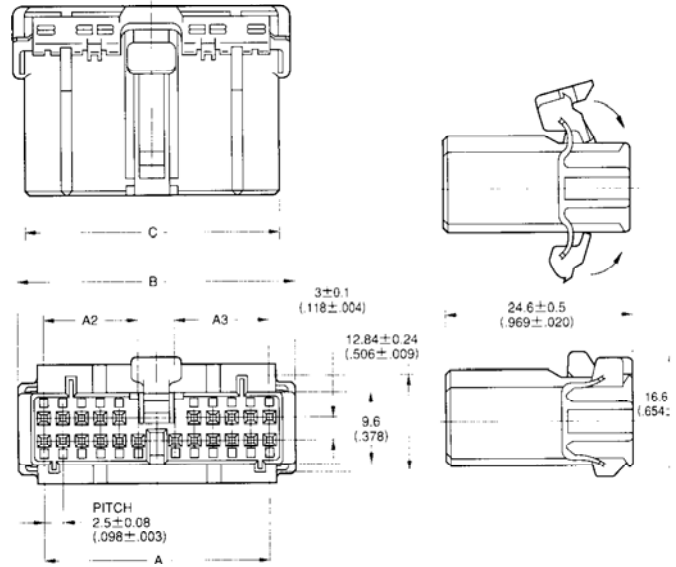
025 Crimp Contacts, PCB-to-Cable/Cable-to-Cable Applications

SOCKET HOUSING

Single Row



Double Row



Configuration of Mating Area (Ref.)

| No. of Contacts | Standard | Polarized Version |
|-----------------|----------|-------------------|
| 5 | | |
| 6 | | |

• Single Row

| No. of Contacts | Part Number | | A ± 0.25 (± .010) | B ± 0.5 (± .020) | C +0.14 (+.006) -0.25 (-.010) |
|-----------------|-----------------|--------------------|----------------------|---------------------|-------------------------------------|
| | Standard | Polarized Version | | | |
| 5 | IL-AG5- 5S-S3C1 | IL-AG5-5SK-S3C1-LB | 10.0 (.394) | 16.1 (.634) | 13.1 (.516) |
| 6 | IL-AG5- 6S-S3C1 | IL-AG5-6SK-S3C1-LB | 12.5 (.492) | 18.6 (.732) | 15.6 (.614) |
| 7 | IL-AG5- 7S-S3C1 | — | 15.0 (.591) | 21.1 (.831) | 18.1 (.713) |
| 10 | IL-AG5-10S-S3C1 | — | 22.5 (.886) | 28.6 (1.126) | 25.6 (1.008) |

• Double Row

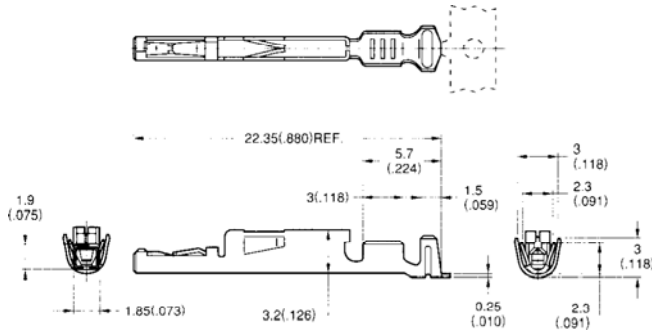
| No. of Contacts | Part Number | A ± 0.25 (± .010) | A2 ± 0.1 (± .004) | A3 ± 0.1 (± .004) | B ± 0.5 (± .020) | C +0.14 (+.006) -0.25 (-.010) |
|-----------------|-------------------|----------------------|----------------------|----------------------|---------------------|-------------------------------------|
| | | | | | | |
| 16 | IL-AG5-16S-D3C1-A | 22.5 (.886) | 10.0 (.394) | 7.5 (.295) | 29.2 (1.150) | 26.2 (1.031) |
| 18 | IL-AG5-18S-D3C1 | 25.0 (.984) | 10.0 (.394) | 10.0 (.394) | 31.7 (1.248) | 28.7 (1.130) |
| 22 | IL-AG5-22S-D3C1 | 30.0 (1.181) | 12.5 (.492) | 12.5 (.492) | 36.7 (1.445) | 33.7 (1.327) |
| 30 | IL-AG5-30S-D3C1 | 40.0 (1.575) | 17.5 (.689) | 17.5 (.689) | 46.7 (1.839) | 43.7 (1.720) |

Dimensions in mm (inches).

IL-AG5 SERIES AUTOMOTIVE CONNECTORS

025 Crimp Contacts, PCB-to-Cable/Cable-to-Cable Applications

SOCKET CONTACT (CRIMP TYPE)



Tooling:

Semi-Automatic Crimping Machine: CT350-2 Type

Hand Crimping Tool: CT150 Type

Contact Extraction Tool: ET-AG5

Lock Flap Release Tool: RT-AG5 • EX5

| Part Number (Note 1) | Finish (Note 2) | Applicable Wire (Stranded) | | | | Applicable Tool | |
|-------------------------|--------------------|----------------------------|------------|---------------------------------|---------------------------------|-----------------|--|
| | | Type | AWG No. | Conductor Cross Section Area | Insulation Outer Dia. | Hand Crimp | Semi-Auto. CT350-2 type |
| IL-AG5-C1-5000 | Tin | AV, AVS, AVSS | #22 to #20 | 0.3 to 0.5mm ² | 1.4 to 2.4mm (.055 to .094") | CT150-1-AG5 | Applicator: 350-AG5-2 Press: CP210-1B |
| | | AVS, AVSS | #18 | 0.85mm ² | | | |

Note 1: 5,000 pcs. per reel.

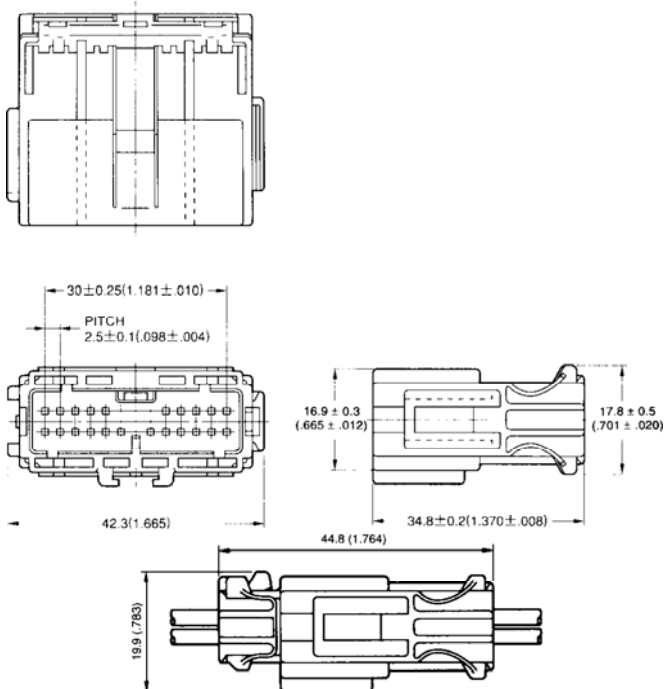
Note 2: The standard finish of contact is tin plating. Gold plating is available as an option.

For details, please consult JAE.

CABLE PLUG

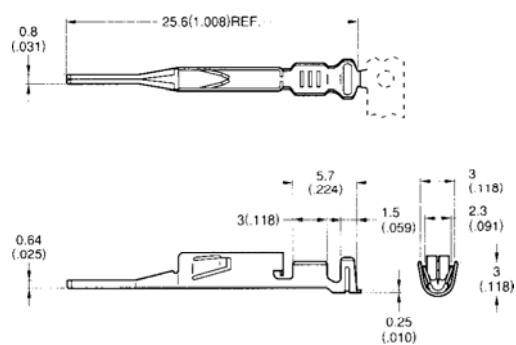
PIN HOUSING (22 contacts only)

Part Number: IL-AG5-22P-D3C1



PIN CONTACT (CRIMP TYPE)

Part Number: IL-AG5-PC1-5000



Applicable Wire (Stranded)

| AWG No. | Conductor Cross Section Area | Insulation Outer Dia. |
|------------|---------------------------------|---------------------------------|
| #22 to #18 | 0.3 to 0.85mm ² | 1.4 to 2.4mm (.055 to .094") |

Tool (Please consult JAE for details.)

Hand Crimping Tool: CT150-1-AG-5

Contact Extraction Tool: EX-AG5

Lock Flap Release Tool: RT-AG5 • EX5

(Note: Contacts 5,000 pcs, per reel)

Dimensions in mm (inches).

Looking for pricing, stock, or lifecycle information?

Click below to explore more details on WIN SOURCE:

 [View IL-AG5-5P-S3C1 on WIN SOURCE](#)

 [JAE Electronics](#) Information

Optimize Your Supply Chain with WIN SOURCE Solutions

-  Global Sourcing Solution
-  Obsolete Management
-  Cost Control Management
-  Shortage Management
-  Alternative Solution
-  Excess Inventory Management