



**THE DATASHEET OF  
NX3215SE-32.768K-STD-MUA-19**



## NX3215SE

For OA / AV / Mobile Communications

### ■ Features

- Tuning fork crystal unit with low ESR(Equivalent Series Resistance).
- Supports Microcontroller requiring low ESR. (ESR:Max. 40kΩ)
- Excellent electric performance optimum for mobile communications, OA (office automation) and AV (audiovisual) applications are exhibited.
- A surface-mount crystal oscillator. (Reflow soldering is possible.)
- Lead-free. Meets the requirements for re-flow profiling using lead-free solder.



Pb Free

RoHS Compliant  
Directive 2011/65/EU  
Directive (EU) 2015/863

### ■ Specifications

Item	Model	NX3215SE			
		Standard			Optional
Nominal Frequency		32.768kHz			32.768kHz
Operating Temperature Range (°C)		-40 to +85			-40 to +85 *1
Storage Temperature Range (°C)		-40 to +85			-40 to +85 *1
Level of Drive (μW)		0.1 (Max. 0.5)			0.1 (Max. 0.5) *1
Frequency Tolerance (25 ±3 °C)		±20 × 10 <sup>-6</sup>			±20 × 10 <sup>-6</sup> *1
Turning Point (°C)		+25 ± 5			+25 ± 5
Temperature Coefficient (1/°C <sup>2</sup> )		Max. -0.04 × 10 <sup>-6</sup>			Max. -0.04 × 10 <sup>-6</sup>
Load Capacitance (pF)	6.0	9.0	12.5	6.0 to 12.5 *1	
Equivalent Series Resistance (kΩ)	Max. 40 (Typ. 20)				Max. 40 *1
Shunt Capacitance (pF)	Typ. 1.3 / Max. 1.6				Typ. 1.3 / Max. 1.6
Insulation Resistance (MΩ)	Min. 500				Min. 500
Specifications Number	STD-MUA-19	STD-MUA-18	STD-MUA-17	Refer to *2	

Please specify the model name, frequency, and specification number when you order products.

For further questions regarding specifications, please feel free to contact us.

\*1 If you have any other requests, NDK will study it.

\*2 Ordering information: Overtone Order Fundamental, the Operating Temperature Range, Frequency Tolerance, and Load Capacitance.

Ex. Model, Frequency (32.768000kHz 6digits),

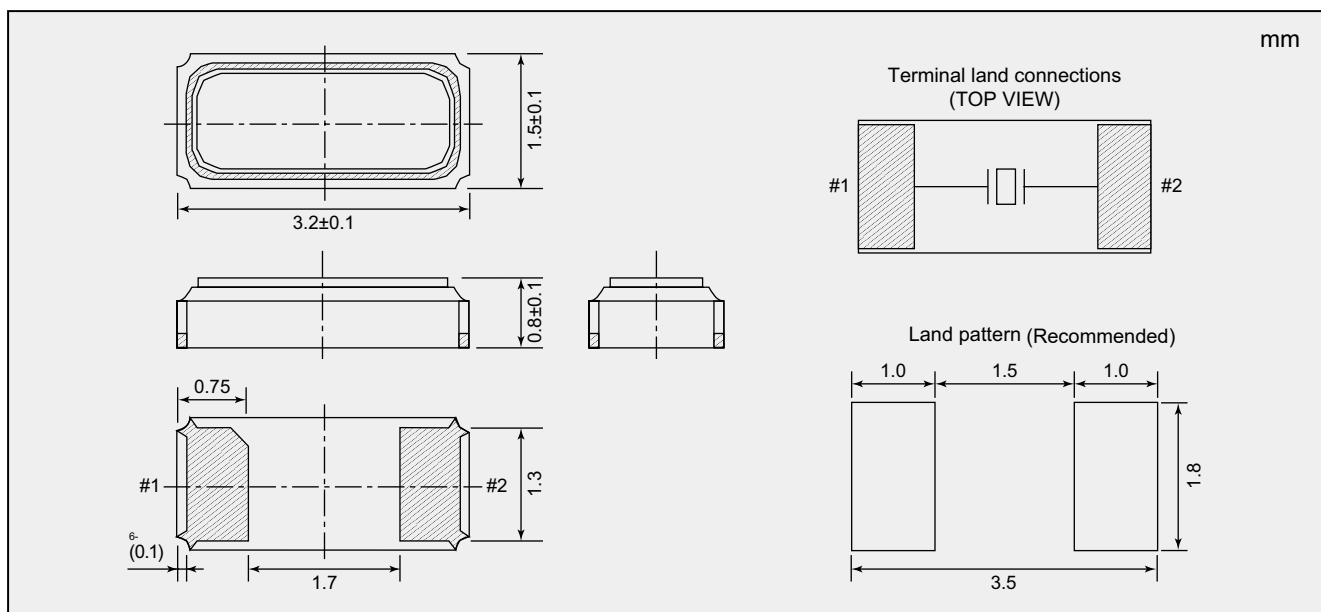
S1:Fundamental - Operating Temperature Range (-40 to +85°C) - Frequency Tolerance (±20×10<sup>-6</sup>) - Load Capacitance (9pF)

NX3215SE

32.768000kHz

S1-4085-20-9

### ■ Dimensions



## Looking for pricing, stock, or lifecycle information?

Click below to explore more details on WIN SOURCE:

-  [View NX3215SE-32.768K-STD-MUA-19 on WIN SOURCE](#)
-  [NDK Information](#)

## Optimize Your Supply Chain with WIN SOURCE Solutions

-  Global Sourcing Solution
-  Obsolete Management
-  Cost Control Management
-  Shortage Management
-  Alternative Solution
-  Excess Inventory Management