

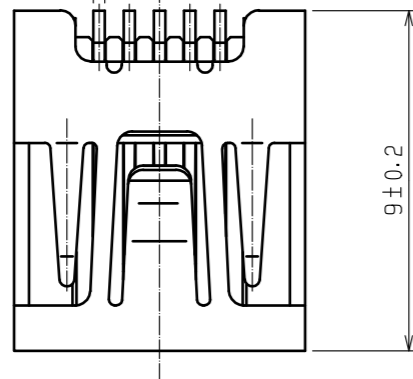


**THE DATASHEET OF
UX60-MB-5S8(70)**



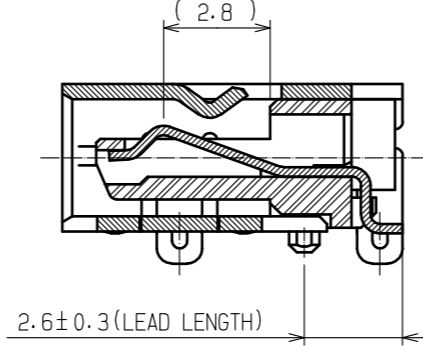
1.6±0.2
0.8±0.2
0.3±0.1

1.6±0.2
0.8±0.2

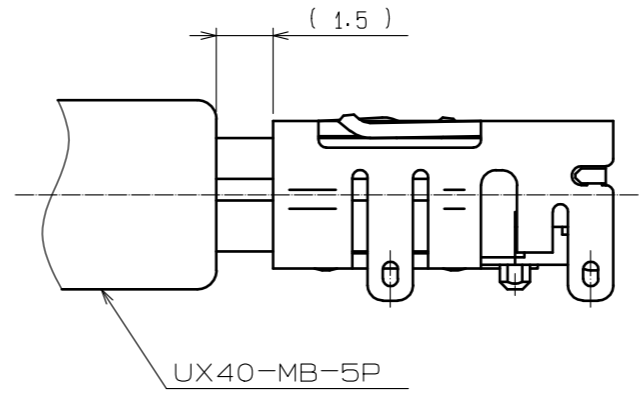


9±0.2

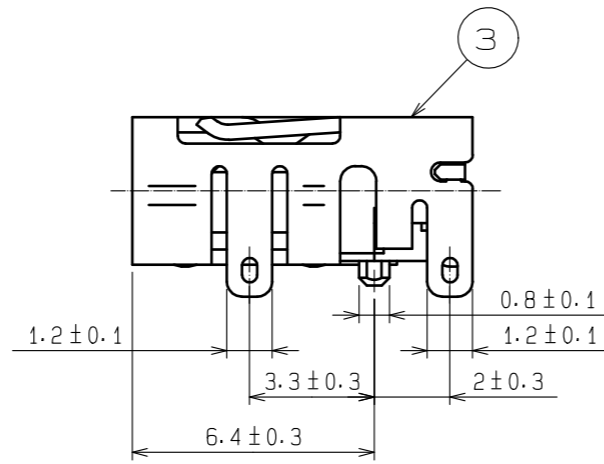
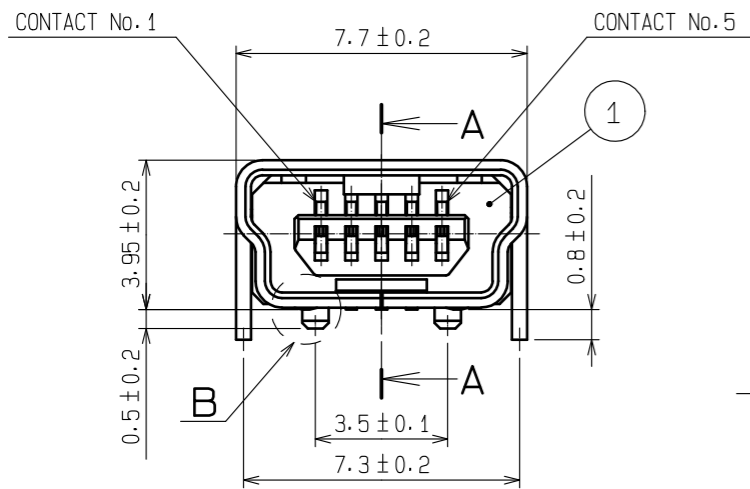
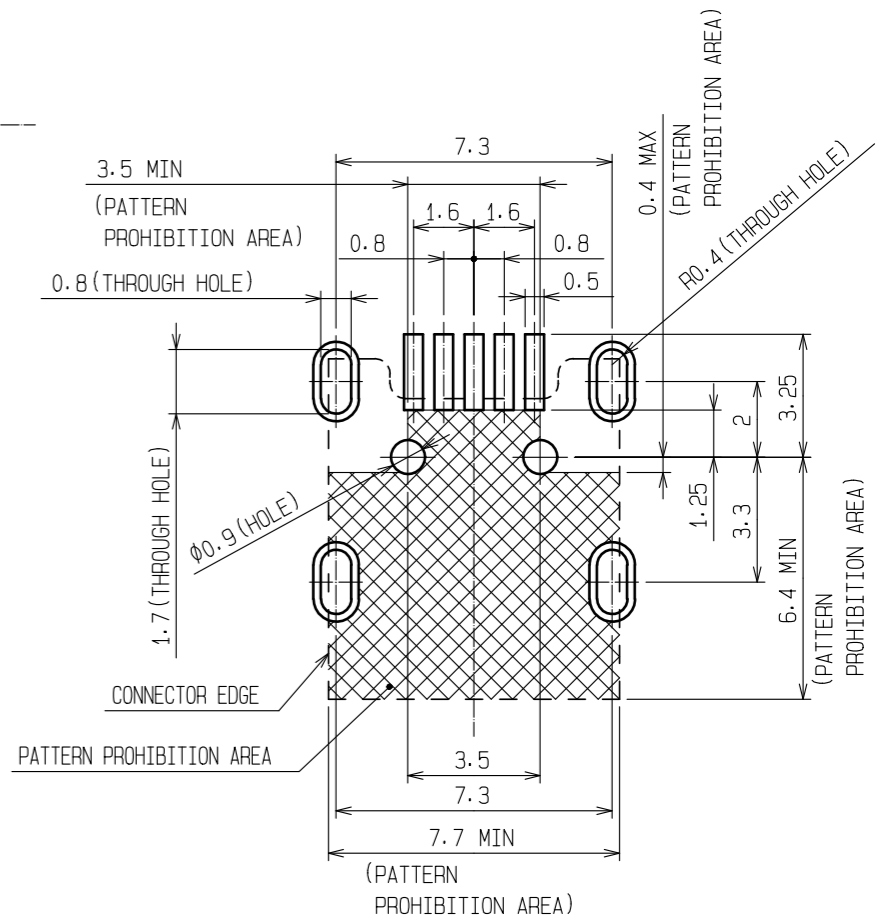
A-A



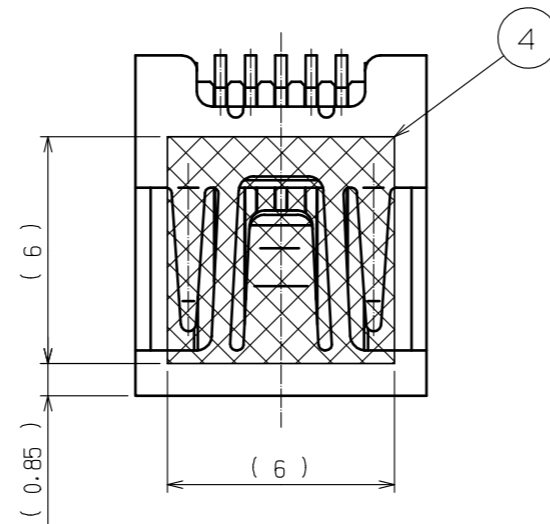
MATING FIGURE



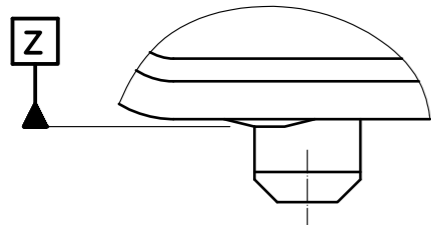
RECOMMENDED PCB PATTERN
(MOUNTING SIDE)



PICK & PLACE TAPE POSITION



B (20:1)
(TOTAL 4 POINTS)



- NOTES 1 INTERFACE DIMENSIONS CONFORM TO USB2.0 STANDARDS.
2 ALL 5 LEADS SMT AND CO-PLANARITY SHALL BE AS FOLLOWS.

SMT AGAINST DATUM Z	CO-PLANARITY
0±0.075	WITHIN 0.1

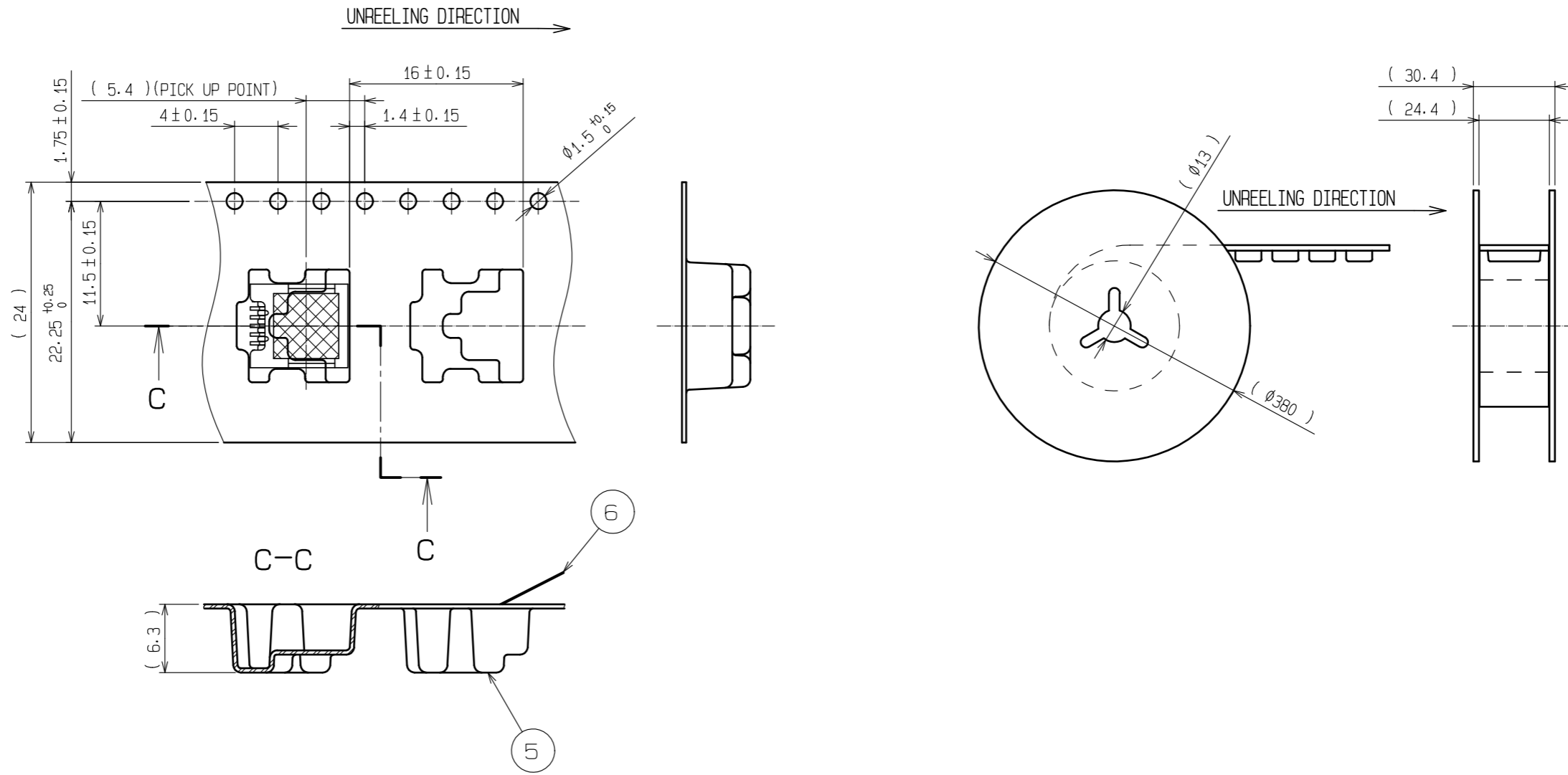
3 PER REEL:1000 PIECES

NO.	MATERIAL	FINISH	REMARKS	NO.	MATERIAL	FINISH	REMARKS
3	Copper Alloy	Tin reflow plating		6	PS		
2	Copper Alloy	Contact area:gold plating 0.75µm min Lead area :tin reflow plating 1µm min Under :nickel plating 1.25µm min		5	PS		
1	LCP	Black UL94V-0		4	PA		

UNITS	SCALE	COUNT	DESCRIPTION OF REVISIONS	DESIGNED	CHECKED	DATE
mm	5:1	1	DIS-E-00003186	MO. SHIMOYAMA	TU. TANIGUCHI	20200728

APPROVED	DATE	DRAWING NO.
MN. KENJO	20200407	EDC-123210-70-00
CHECKED	DATE	PART NO.
TU. TANIGUCHI	20200407	UX60-MB-5S8(70)
DESIGNED	DATE	CODE NO.
KIM JAEHYEON	20200407	CL240-0002-1-70
DRAWN	DATE	
DS. HIROWATARI	20200407	

DRAWING FOR PACKING



HRS	DRAWING NO.	EDC-123210-70-00
	PART NO.	UX60-MB-5S8(70)
	CODE NO.	CL240-0002-1-70
		2/2

Mouser Electronics

Authorized Distributor

Click to View Pricing, Inventory, Delivery & Lifecycle Information:

[Hirose Electric:](#)

[UX60-MB-5S8\(70\)](#)

Looking for pricing, stock, or lifecycle information?

Click below to explore more details on WIN SOURCE:

- ⊖ [View UX60-MB-5S8\(70\) on WIN SOURCE](#)
- ⊖ [Hirose Electric Co Ltd Information](#)

Optimize Your Supply Chain with WIN SOURCE Solutions

- ✓ Global Sourcing Solution
- ✓ Obsolete Management
- ✓ Cost Control Management
- ✓ Shortage Management
- ✓ Alternative Solution
- ✓ Excess Inventory Management