



**THE DATASHEET OF
S912ZVL64F0VLCR**



S12 MagniV S12ZVL

Smallest Integrated LIN Slave MCU

Features



Operates from car battery



Ultra-reliable industrial



Integrated LIN transceiver



Fast ADC

Product One-Sheet

[Get Sample](#)

[Data Sheet](#)

[Tools](#)

System in a Package – Highly integrated part ideal for space constrained applications such as actuators, sensors, LIN nodes, etc.

Low System Cost – Direct connection with battery, integrated LIN Phy, EVDD and NGPIOs reduce system, qualification and manufacturing cost.

High Reliability – High immunity to EMI and ESD stresses, LIN 2.x compliant with +/- 8kV ESD capability.

Enablement – Supported by comprehensive hardware and software system (free low-level drivers to enterprise 3rd party tools) which reduces development costs and time to market.

S12ZVL Specifications

Flash EEPROM	8–128 KB, 2 KB	Timer/PWM	6 ch. + 2 ch. 16-bit/ 8 ch. 16-bit
RAM	8 KB	12 V VREG	12 V/70 mA, 170 mA with external ballast
Core	S12Z	EVDD	1 ch. 5 V/20 mA (source)
Speed	32 MHz	NGPIO	3 ch. 5 V/25 mA (sink)
ADC	10 ch. 12-bit	SCI/SPI/I ² C	2/1/1
HVI	1	Packages	32LQFP, 32QFN, 48LQFP
LIN Phy	1	Op Range	5.5 V–18 V
Amb Temp	Up to 150° C		

Part Numbers

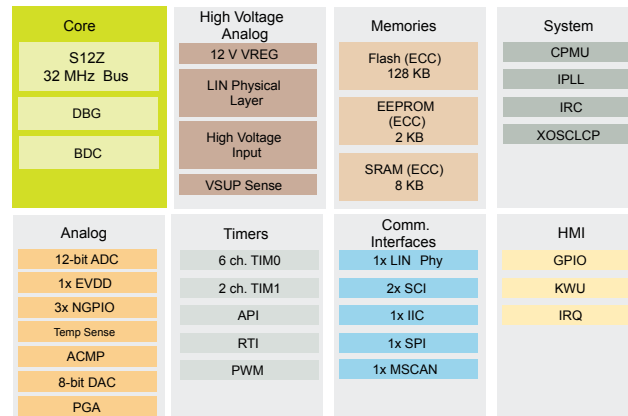
32LQFP	32QFN-EP	48LQFP
S912ZVLA12F0MLC	S912ZVLA12F0MFM	S912ZVLA12F0MLF
S912ZVLA96F0MLC	S912ZVLA96F0MFM	S912ZVLA96F0MLF
S912ZVLA64F0MLC	S912ZVLA64F0MFM	S912ZVLA64F0MLF
S9S12ZVL32F0MLC	S9S12ZVLS3F0MFM	S9S12ZVL32F0MLF
S9S12ZVL16F0MLC	S9S12ZVLS1F0MFM	S9S12ZVL16F0MLF
S9S12ZVL8F0MLC	S9S12ZVLS8F0MFM	S9S12ZVL8F0MLF
		S912ZVLA12F0WLF
		S9S12ZVL32F0WLF

www.NXP.com/S12ZVL

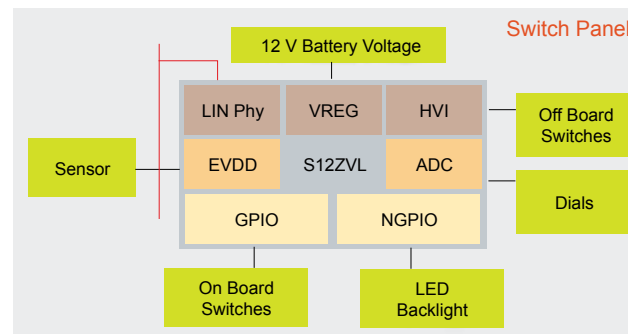
NXP, the NXP logo, the SafeAssure logo and MagniV are trademarks of NXP B.V. All other product or service names are the property of their respective owners. © 2015–2018 NXP B.V.

Document Number: S12ZVLF5 REV 6

Block Diagram



Switch Panel



Success Stories

- LIN-based user-interface in Europe and Asia
- LIN-based immobilizer receiver in US
- LIN-based mirror control in Europe
- LIN-based airquality sensor in Europe

Target Applications

- LIN nodes
- LIN switch panel/user interface
- LIN actuators, sensors
- HVAC
- Lighting controls
- Ambient lighting
- Seat positioning
- Ultrasonic sensors

Enablement Tools

Evaluation boards/hardware

- TRK-S12ZVL
- DEVKIT-ZVL128
- DEVKIT-S12ZVL

Reference solutions

- Ultrasonic distance measurement
 - LIN RGB LED
- CodeWarrior, Cosmic
LIN drivers



Mouser Electronics

Authorized Distributor

Click to View Pricing, Inventory, Delivery & Lifecycle Information:

[NXP:](#)

[S912ZVLA12F0MLF](#) [S912ZVL64F0CLCR](#) [S912ZVL64F0VLF](#) [S912ZVL96F0VLF](#) [S912ZVLA12F0MLC](#)
[S912ZVLA12F0MLCR](#) [S912ZVL64F0VFMR](#) [S912ZVL12F0MLF](#) [S912ZVL12F0MLFR](#) [S912ZVLA12F0VLF](#)
[S912ZVLA12F0WLF](#) [S912ZVLA12F0WLF](#) [S912ZVL64F0MLC](#) [S912ZVL64F0CLF](#) [S912ZVL64F0VFM](#)
[S912ZVL12F0VLF](#) [S912ZVL12F0VLF](#) [S912ZVL64F0MLF](#) [S912ZVL64F0MLFR](#) [S912ZVL96F0MLF](#)
[S912ZVL96F0MLFR](#) [S912ZVLA12F0MLFR](#) [S912ZVLA64F0MLF](#) [S912ZVLA96F0CLC](#) [S912ZVLA96F0CLCR](#)
[S912ZVL64F0VLF](#) [S912ZVL64F0CLC](#) [S912ZVL96F0VLF](#) [S912ZVL12F0CLC](#) [S912ZVL64F0CLFR](#)
[S912ZVLA12F0CLCR](#) [S912ZVLA12F0CLC](#) [S912ZVL64F0VLC](#) [S912ZVL12F0CLCR](#) [S912ZVLA96F0MLF](#)
[S912ZVL64F0MFMR](#) [S912ZVL64F0MFM](#) [S912ZVL12F0CLFR](#) [S912ZVLA64F0CLFR](#) [S912ZVLA64F0CLF](#)
[S912ZVL12F0CLF](#) [S912ZVL12F0MLC](#) [S912ZVL64F0VLCR](#) [S912ZVLA64F0CLC](#) [S912ZVLA64F0CLCR](#)
[S912ZVL64F0MLCR](#) [S912ZVLA64F0VLC](#) [S912ZVLA64F0VLCR](#) [S912ZVLA12F0MFM](#) [S912ZVLA12F0MFMR](#)
[S912ZVLA12AMFM](#) [S912ZVLA12AMFMR](#) [S912ZVLA12F0CLF](#) [S912ZVLA12F0CLFR](#) [S912ZVL12AMLF](#)
[S912ZVL12AMLFR](#) [S912ZVL12AVLF](#) [S912ZVL12AVLFR](#) [S912ZVL64ACLC](#) [S912ZVL64ACLCR](#) [S912ZVL64ACLF](#)
[S912ZVL64ACLFR](#) [S912ZVL64AMLF](#) [S912ZVL64AMLFR](#) [S912ZVL64AVFM](#) [S912ZVL64AVFMR](#) [S912ZVL64AVLC](#)
[S912ZVL64AVLCR](#) [S912ZVL64AVLF](#) [S912ZVL64AVLFR](#) [S912ZVL96AMLF](#) [S912ZVL96AMLFR](#) [S912ZVL96AVFM](#)
[S912ZVL96AVFMR](#) [S912ZVL96AVLF](#) [S912ZVL96AVLFR](#) [S912ZVLA12ACLF](#) [S912ZVLA12ACLFR](#)
[S912ZVLA12AMLC](#) [S912ZVLA12AMLCR](#) [S912ZVLA12AMLF](#) [S912ZVLA12AMLFR](#) [S912ZVLA64ACLF](#)
[S912ZVLA64ACLFR](#) [S912ZVLA64AVFM](#) [S912ZVLA64AVFMR](#) [S912ZVLA96ACLC](#) [S912ZVLA96ACLCR](#)
[S912ZVL12ACLC](#) [S912ZVL12ACLCR](#) [S912ZVL64AMLC](#) [S912ZVL64AMLCR](#) [S912ZVLA64AMFM](#)
[S912ZVLA64AMFMR](#) [S912ZVLA64AMLF](#) [S912ZVLA96F0VFMR](#) [S912ZVLA96F0VFM](#) [S912ZVLA12ACLC](#)
[S912ZVLA12ACLCR](#) [S912ZVLA64F0VFMR](#)

Looking for pricing, stock, or lifecycle information?

Click below to explore more details on WIN SOURCE:

 [View S912ZVL64F0VLCR on WIN SOURCE](#)

 [NXP / Nexperia Information](#)

Optimize Your Supply Chain with WIN SOURCE Solutions

-  Global Sourcing Solution
-  Obsolete Management
-  Cost Control Management
-  Shortage Management
-  Alternative Solution
-  Excess Inventory Management