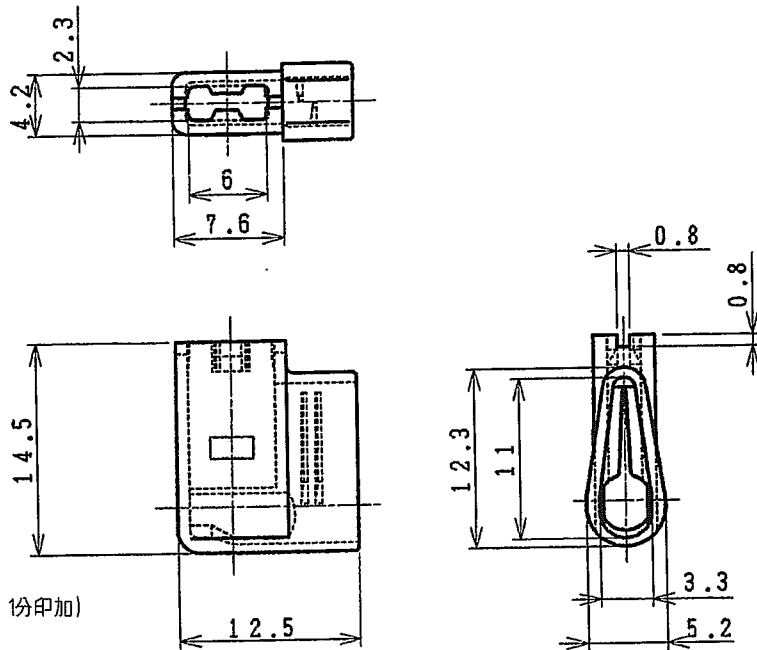




**THE DATASHEET OF  
1717269-1**



LOC	DIST	REVISIONS					
		P	LTR	DESCRIPTION	DATE	DWN	APVD
J	-	A	REVISED	ECR-07-018856	9AUG2007	M.S	S.M



注記 ;

1. 本製品は射出成形品である
2. 一般公差 : ±0.3
3. 適用コンタクト型番 : 175019
4. 温度範囲 : TABLE 1 参照
5. 初期絶縁抵抗 : 5000MΩ以上 (DC500V 1分印加)
6. 初期耐電圧  
耐電圧 : AC2.5KV 1分印加  
破壊電圧 : AC3.3KV以上
7. スリーブの再使用は原則として禁止
8. 本製品に関する適用製品規格は用意していません。製品の使用に際しては、適用性について御確認の上決定下さい。

NOTES :

1. THIS PARTS ARE INJECTION MOLDING ITEM
2. GENERAL TOLERANCE : ± 0.3
3. APPLICABLE RECEPTACLE P/N : 175019
4. TEMPERATURE LIMIT : SEE TABLE 1
5. INITIAL INSULATION RESISTANCE : 5000MΩ MIN. (DC500V FOR 1MINUTE)
6. INITIAL DIELECTRIC WITHSTAND VOLTAGE  
DIELECTRIC WITHSTAND VOLTAGE : AC2.5KV FOR 1MINUTE.  
PUNCTURE VOLTAGE : AC3.3KV MIN.
7. AS A RULE, REUSABILITY IS NOT ACCEPTABLE
8. THIS PRODUCT IS NOT PREPARED THE PRODUCT SPECIFICATION. THEREFORE, PLEASE USE THIS PRODUCT AFTER CONSIDERING THE APPLICABILITY OF THIS PRODUCT.

TABLE 1

温度範囲 TEMPERATURE LIMIT	P/N 1717269-1	P/N 1717269-2
使用温度範囲 OPERATING TEMPERATURE LIMIT	-40℃~60℃	-40℃~60℃
保管温度範囲 STORAGE TEMPERATURE LIMIT	-40℃~50℃	-40℃~50℃
作業温度範囲 WORKING TEMPERATURE LIMIT	50℃~50℃	50℃~50℃

黄 YELLOW	PVC(軟質) PVC(SOFT) UL94V-0	1717269-2
青 BLUE	PVC(軟質) PVC(SOFT) UL94V-2	1717269-1
色 COLOR	材料 MATERIAL	型番 P/N

THIS DRAWING IS UNPUBLISHED.

RELEASED FOR PUBLICATION

ALL RIGHTS RESERVED.



BY TYCO ELECTRONICS CORPORATION.

© COPYRIGHT



DIMENSIONS: 単位: 珪 MM  TOLERANCES UNLESS OTHERWISE SPECIFIED: 一般公差  	DWN T.HATANO 06MAY2003	MATERIAL 材料 SEE TABLE	FINISH 仕上			
	CHK N.YAMASAKI 06MAY2003	Tyco Electronics AMP K.K. Kawasaki, Japan				
	APVD M.SHINDO 06MAY2003					
	PRODUCT SPEC 製品規格	NAME 名称 INSULATION SLEEVE INJECTION TYPE FOR 187 SERIES FLAG POSITIVE LOCK EX REC.				
APPLICATION SPEC 取付適用規格	SIZE A4	CAGE CODE 00779	DRAWING NO 番号 C-1717269	RESTRICTED TO		
WEIGHT	CUSTOMER DRAWING			SCALE 尺度 2:1	SHEET 1 OF 1	REV A

## Looking for pricing, stock, or lifecycle information?

Click below to explore more details on WIN SOURCE:

-  [View 1717269-1 on WIN SOURCE](#)
-  [TE Connectivity Information](#)

## Optimize Your Supply Chain with WIN SOURCE Solutions

-  Global Sourcing Solution
-  Obsolete Management
-  Cost Control Management
-  Shortage Management
-  Alternative Solution
-  Excess Inventory Management