



# THE DATASHEET OF INA236AIDDFR



# INA236 48-V, 16-Bit, Ultra-Precise, Current, Voltage, and Power Monitor With an I<sup>2</sup>C Interface

## 1 Features

- High-side or low-side current sensing
- Operates from a 1.7-V to 5.5-V power supply
- Reports current, voltage and power
- Programmable full scale range: 20mV / 80mV
- Input common mode range: –0.3 V to 48 V
- Current monitoring accuracy:
  - 16-bit ADC resolution
  - 0.1% gain error (maximum)
  - 5- $\mu$ V offset (maximum)
- Low input bias current: 10 nA (maximum)
- Configurable averaging options
- General call addressing allows conversion synchronization among devices
- Alert limits for over and under current events
- 1.2-V compliant I<sup>2</sup>C, SMBus interface
- Two device address options with a 4-pin selectable address
- DSBGA-8 Package (0.745 mm  $\times$  1.508 mm)
- SOT23-8 Package
- Operating temperature: –40°C and +125°C

## 2 Applications

- [Mobile phones](#)
- [Smart speakers](#)
- [Wearables](#)
- [Battery chargers](#)
- [Power management](#)
- [Battery cell monitors and balancers](#)
- [Rack servers](#)

## 3 Description

The INA236 device is a 16-bit digital current monitor with an I<sup>2</sup>C/SMBus-compatible interface that is compliant with a wide range of digital bus voltages such as 1.2 V, 1.8 V, 3.3 V, and 5.0 V. The device monitors the voltage across an external sense resistor and reports values for current, bus voltage, and power.

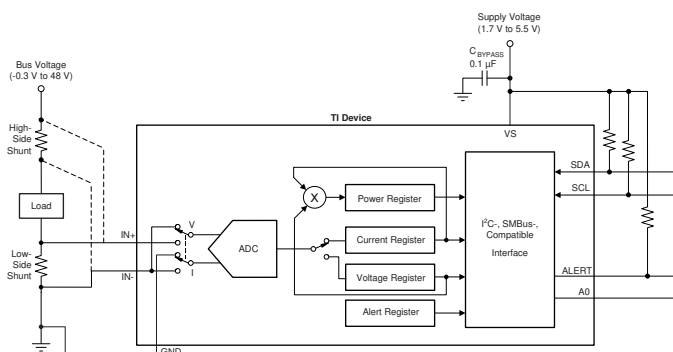
The INA236 features programmable ADC conversion times and averaging. The device also has a programmable calibration value with an internal multiplier that enables direct readouts of current in amperes and power in watts. The device monitors the bus voltage present on the IN– pin and can alert on overcurrent and undercurrent conditions as well as overvoltage and undervoltage conditions. High input impedance while in current measurement mode allows use of larger current sense resistors needed to measure small value system currents.

The INA236 senses current on common-mode bus voltages that can vary from –0.3 V to 48 V, independent of the supply voltage. The device operates from a single 1.7-V to 5.5-V supply, drawing a typical supply current of 300  $\mu$ A in normal operation. The device can be placed in a low-power standby mode where the typical operating current is 2.2  $\mu$ A.

### Package Information<sup>(1)</sup>

PART NUMBER <sup>(2)</sup>	PACKAGE	BODY SIZE (NOM)
INA236	DSBGA (8)	0.745 mm $\times$ 1.508 mm
	SOT-23 (8)	1.60 mm $\times$ 2.90 mm

- (1) For all available packages, see the package option addendum at the end of the data sheet.
- (2) The INA236 is available in A and B device address options. See [Table 7-1](#) for address differences between the A and B devices.



### High-Side or Low-Side Sensing Application



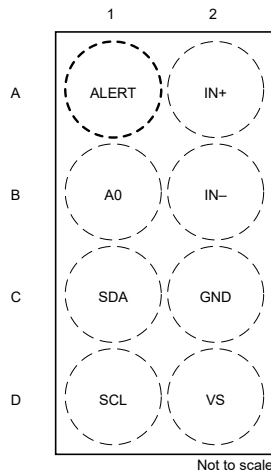
## Table of Contents

<b>1 Features</b> .....	1	7.4 Device Functional Modes.....	14
<b>2 Applications</b> .....	1	7.5 Programming.....	16
<b>3 Description</b> .....	1	7.6 Register Maps.....	19
<b>4 Revision History</b> .....	2	<b>8 Application and Implementation</b> .....	24
<b>5 Pin Configuration and Functions</b> .....	3	8.1 Application Information.....	24
<b>6 Specifications</b> .....	4	8.2 Typical Application.....	28
6.1 Absolute Maximum Ratings.....	4	8.3 Power Supply Recommendations.....	31
6.2 ESD Ratings.....	4	8.4 Layout.....	31
6.3 Recommended Operating Conditions.....	4	<b>9 Device and Documentation Support</b> .....	33
6.4 Thermal Information.....	4	9.1 Device Support.....	33
6.5 Electrical Characteristics.....	5	9.2 Documentation Support.....	33
6.6 Timing Requirements (I <sup>2</sup> C).....	7	9.3 Receiving Notification of Documentation Updates.....	33
6.7 Timing Diagram.....	7	9.4 Support Resources.....	33
6.8 Typical Characteristics.....	8	9.5 Trademarks.....	33
<b>7 Detailed Description</b> .....	12	9.6 Electrostatic Discharge Caution.....	33
7.1 Overview.....	12	9.7 Glossary.....	33
7.2 Functional Block Diagram.....	12	<b>10 Mechanical, Packaging, and Orderable Information</b> .....	33
7.3 Feature Description.....	12		

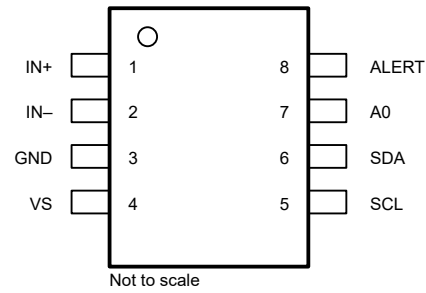
## 4 Revision History

<b>Changes from Revision C (December 2022) to Revision D (August 2023)</b>	<b>Page</b>
• Changed Integral Non-Linearity typical value from $\pm 2\text{m}\%$ to $\pm 1.5\text{m}\%$ .....	5
• Added Integral Non-Linearity maximum value of $\pm 6\text{m}\%$ .....	5
<hr/>	
<b>Changes from Revision B (May 2022) to Revision C (December 2022)</b>	<b>Page</b>
• Added DDF package.....	1
• Updated <a href="#">Table 7-1</a> to show the INA236 device options.....	16
<hr/>	
<b>Changes from Revision A (August 2021) to Revision B (May 2022)</b>	<b>Page</b>
• Changed <a href="#">Figure 6-18</a> .....	8
• Changed the full recovery time from power-down mode from: 40 ms to: 100 $\mu\text{s}$ .....	15
<hr/>	
<b>Changes from Revision * (May 2021) to Revision A (August 2021)</b>	<b>Page</b>
• Changed data sheet title from: INA236 48-V, 16-Bit, High-Precision, Current, Voltage, and Power Monitor with an I2C Interface to: INA236 48-V, 16-Bit, Ultra-Precise, Current, Voltage, and Power Monitor with an I2C Interface.....	1
• Changed data sheet status from Advanced Information to Production Data.....	1

## 5 Pin Configuration and Functions



**Figure 5-1. YBJ Package 8-Bump DSBGA (Top View)**



**Figure 5-2. DDF Package 8-Pin SOT-23 (Top View)**

**Table 5-1. Pin Functions**

NAME	PIN		TYPE	DESCRIPTION
	DDF (SOT-23)	YBJ (DSBGA)		
A0	7	B1	Digital input	Address pin. Connect to GND, SCL, SDA, or VS. <a href="#">Table 7-1</a> lists the pin settings and corresponding addresses.
ALERT	8	A1	Digital output	Multifunctional alert, open-drain output. This pin alerts to report fault conditions or can be configured to notify host when a conversion is complete.
GND	3	C2	Ground	Ground for both analog and digital.
IN-	2	B2	Analog input	Current sensing negative input. For high-side applications, connect to load side of sense resistor. For low-side applications, connect to ground side of sense resistor. Bus voltage measurements are made with respect to this pin.
IN+	1	A2	Analog input	Current sensing positive input. For high-side applications, connect to bus voltage side of sense resistor. For low-side applications, connect to load side of sense resistor.
SCL	5	D1	Digital input	Serial bus clock line, open-drain input.
SDA	6	C1	Digital input/output	Serial bus data line, open-drain input/output
VS	4	D2	Power Supply	Power supply, 1.7 V to 5.5 V

## 6 Specifications

### 6.1 Absolute Maximum Ratings

over operating free-air temperature range (unless otherwise noted)<sup>(1)</sup>

		MIN	MAX	UNIT
$V_S$	Supply Voltage		6	V
$V_{IN+}, V_{IN-}$	Differential ( $V_{IN+}$ ) - ( $V_{IN-}$ )	-26	26	V
	Common - mode	GND – 0.3	50	V
$V_{IO}$	SDA, SCL, ALERT, A0	GND – 0.3	6	V
	Input current into any pin		5	mA
	Open-drain digital output current (SDA, ALERT)		10	mA
$T_A$	Operating Temperature	-55	150	°C
$T_J$	Junction temperature		150	°C
$T_{stg}$	Storage temperature	-65	150	°C

- (1) Operation outside the *Absolute Maximum Ratings* may cause permanent device damage. *Absolute Maximum Ratings* do not imply functional operation of the device at these or any other conditions beyond those listed under *Recommended Operating Conditions*. If used outside the *Recommended Operating Conditions* but within the *Absolute Maximum Ratings*, the device may not be fully functional, and this may affect device reliability, functionality, performance, and shorten the device lifetime.

### 6.2 ESD Ratings

			VALUE	UNIT
$V_{(ESD)}$	Electrostatic discharge	Human body model (HBM), per ANSI/ESDA/JEDEC JS-001, all pins <sup>(1)</sup>	±2000	V
		Charged device model (CDM), per ANSI/ESDA/JEDEC JS-002, all pins <sup>(2)</sup>	±1000	

- (1) JEDEC document JEP155 states that 500-V HBM allows safe manufacturing with a standard ESD control process.  
 (2) JEDEC document JEP157 states that 250-V CDM allows safe manufacturing with a standard ESD control process.

### 6.3 Recommended Operating Conditions

over operating free-air temperature range (unless otherwise noted)

		MIN	NOM	MAX	UNIT
$V_{CM}$	Common-mode input range	GND – 0.3		48	V
$V_S$	Operating supply range	1.7		5.5	V
$T_A$	Ambient temperature	-40		125	°C

### 6.4 Thermal Information

THERMAL METRIC <sup>(1)</sup>		INA236		UNIT
		DDF (SOT23)	YBJ (DSBGA)	
		8 PINS	8 PINS	
$R_{\theta JA}$	Junction-to-ambient thermal resistance	146.8	62.2	°C/W
$R_{\theta JC(top)}$	Junction-to-case (top) thermal resistance	70.5	0.5	°C/W
$R_{\theta JB}$	Junction-to-board thermal resistance	67.1	20.4	°C/W
$\Psi_{JT}$	Junction-to-top characterization parameter	4.1	0.3	°C/W
$Y_{JB}$	Junction-to-board characterization parameter	66.7	20.2	°C/W
$R_{\theta JC(bot)}$	Junction-to-case (bottom) thermal resistance	N/A	N/A	°C/W

- (1) For more information about traditional and new thermal metrics, see the [Semiconductor and IC Package Thermal Metrics](#) application report.

## 6.5 Electrical Characteristics

at  $T_A = 25^\circ\text{C}$ ,  $V_S = 3.3\text{ V}$ ,  $V_{\text{SENSE}} = V_{\text{IN}+} - V_{\text{IN}-} = 0\text{ mV}$ ,  $V_{\text{IN}-} = V_{\text{BUS}} = 12\text{ V}$  (unless otherwise noted)

PARAMETER		TEST CONDITIONS	MIN	TYP	MAX	UNIT
<b>INPUT</b>						
CMRR	Common-mode rejection	$V_{\text{CM}} = -0.3\text{ V to }48\text{ V}$ , $T_A = -40^\circ\text{C to }125^\circ\text{C}$	136	150		dB
	Shunt voltage input range	ADCRANGE = 0	-81.9175		81.92	mV
		ADCRANGE = 1	-20.4794		20.48	mV
$V_{\text{os}}$	Shunt offset voltage	$V_{\text{CM}} = 12\text{ V}$		$\pm 1$	$\pm 5$	$\mu\text{V}$
$dV_{\text{os}}/dT$	Shunt offset voltage drift	$T_A = -40^\circ\text{C to }+125^\circ\text{C}$		$\pm 5$	$\pm 25$	$\text{nV}/^\circ\text{C}$
$V_{\text{os}_b}$	IN- bus offset Voltage			$\pm 1$	$\pm 7.5$	mV
$dV_{\text{os}_b}/dT$	IN- bus offset voltage drift	$T_A = -40^\circ\text{C to }+125^\circ\text{C}$		$\pm 10$	$\pm 30$	$\mu\text{V}/^\circ\text{C}$
PSRR <sub>SHUNT</sub>	Power supply rejection ratio (Current measurements)	$V_S = 1.7\text{ V to }5.5\text{ V}$ , $T_A = -40^\circ\text{C to }125^\circ\text{C}$		$\pm 0.5$	$\pm 2.5$	$\mu\text{V}/\text{V}$
PSRR <sub>BUS</sub>	Power supply rejection ratio (Voltage measurements)	$V_S = 1.7\text{ V to }5.5\text{ V}$ , $T_A = -40^\circ\text{C to }125^\circ\text{C}$ , $V_{\text{IN}-} = 50\text{ mV}$		$\pm 0.5$	$\pm 2.5$	$\text{mV}/\text{V}$
$Z_{\text{IN}-}$	IN- input impedance	Bus Voltage Measurement Mode		1.05		M $\Omega$
$I_{\text{B\_SHDWN}}$	Input Leakage	IN+, IN-, Shutdown Mode		0.1	5	nA
$I_{\text{B}}$	Input bias current	IN+, IN-, Current Measurement Mode		0.1	10	nA
<b>DC ACCURACY</b>						
$R_{\text{DIFF}}$	Differential Input Impedance (IN+ to IN-)	Shunt or Current Measurement Modes, $V_{\text{IN}+} - V_{\text{IN}-} < 82\text{ mV}$		140		k $\Omega$
	ADC Resolution	$T_A = -40^\circ\text{C to }125^\circ\text{C}$		16		Bits
	1 LSB step size	Shunt Voltage, ADCRANGE = 0		2.5		$\mu\text{V}$
		Shunt Voltage, ADCRANGE = 1		625		nV
		Bus Voltage		1.6		mV
	ADC Conversion-time ( $T_A = -40^\circ\text{C to }125^\circ\text{C}$ )	CT bit = 000	133	140	147	$\mu\text{s}$
		CT bit = 001	194	204	214	$\mu\text{s}$
		CT bit = 010	315	332	349	$\mu\text{s}$
		CT bit = 011	559	588	617	$\mu\text{s}$
		CT bit = 100	1.045	1.100	1.155	ms
		CT bit = 101	2.01	2.116	2.222	ms
		CT bit = 110	3.948	4.156	4.364	ms
	CT bit = 111	7.832	8.244	8.656	ms	
$G_{\text{SERR}}$	Shunt voltage gain error			$\pm 0.015$	$\pm 0.1$	%
$G_{\text{S\_DRFT}}$	Shunt voltage gain error drift	$T_A = -40^\circ\text{C to }+125^\circ\text{C}$			30	$\text{ppm}/^\circ\text{C}$
$G_{\text{BERR}}$	$V_{\text{IN}-}$ voltage gain error			$\pm 0.015$	$\pm 0.1$	%
$G_{\text{B\_DRFT}}$	$V_{\text{IN}-}$ voltage gain error drift	$T_A = -40^\circ\text{C to }+125^\circ\text{C}$			30	$\text{ppm}/^\circ\text{C}$
INL	Integral Non-Linearity	ADCRANGE = 0, Linear best fit, $T_A = -40^\circ\text{C to }+125^\circ\text{C}$		$\pm 1.5$	$\pm 6$	m%
DNL	Differential Non-Linearity			$\pm 0.1$		LSB
<b>POWER SUPPLY</b>						
$I_{\text{Q}}$	Quiescent current	$V_{\text{SENSE}} = 0\text{ mV}$		300	380	$\mu\text{A}$
		$I_{\text{Q}}$ vs temperature, $T_A = -40^\circ\text{C to }+125^\circ\text{C}$			500	$\mu\text{A}$
		Shutdown		2.2	3	$\mu\text{A}$
$V_{\text{POR}}$	Power-on reset threshold	$V_S$ falling		0.95		V

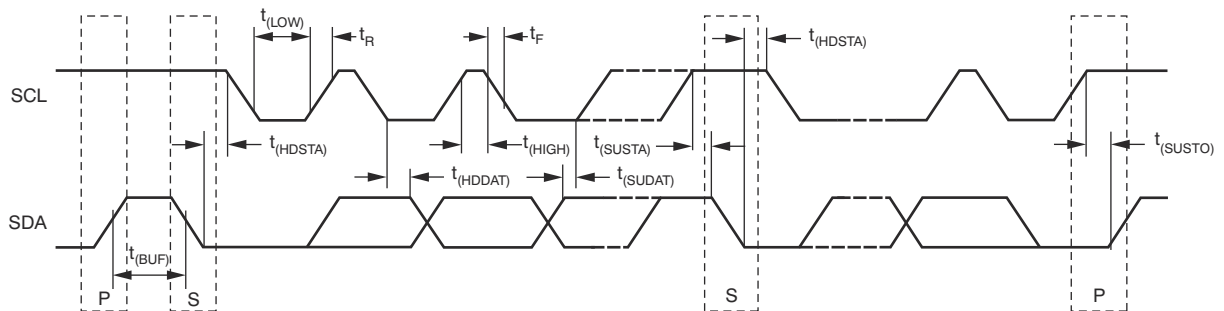
at  $T_A = 25^\circ\text{C}$ ,  $V_S = 3.3\text{ V}$ ,  $V_{\text{SENSE}} = V_{\text{IN}+} - V_{\text{IN}-} = 0\text{ mV}$ ,  $V_{\text{IN}-} = V_{\text{BUS}} = 12\text{V}$  (unless otherwise noted)

PARAMETER		TEST CONDITIONS	MIN	TYP	MAX	UNIT
<b>SMBUS</b>						
	SMBUS timeout			28	35	ms
<b>DIGITAL INPUT / OUTPUT</b>						
	Input capacitance			3		pF
$V_{\text{IH}}$	Logic input level, high	$V_S = 1.7\text{ V to } 5.5\text{ V}$ , $T_A = -40^\circ\text{C to } +125^\circ\text{C}$	0.9		5.5	V
$V_{\text{IL}}$	Logic input level, low	$V_S = 1.7\text{ V to } 5.5\text{ V}$ , $T_A = -40^\circ\text{C to } +125^\circ\text{C}$	0		0.4	V
$V_{\text{HYS}}$	Hysteresis			130		mV
$V_{\text{OL}}$	Logic output level, low	$I_{\text{OL}} = 3\text{ mA}$ , $V_S = 1.7\text{ V to } 5.5\text{ V}$ , $T_A = -40^\circ\text{C to } +125^\circ\text{C}$	0		0.3	V
	Digital leakage input current	$0 \leq V_{\text{INPUT}} \leq V_S$	-1		1	$\mu\text{A}$

### 6.6 Timing Requirements (I<sup>2</sup>C)

		MIN	NOM	MAX	UNIT
<b>I<sup>2</sup>C BUS (FAST MODE)</b>					
F <sub>(SCL)</sub>	I <sup>2</sup> C clock frequency	1		400	kHz
t <sub>(BUF)</sub>	Bus free time between STOP and START conditions	600			ns
t <sub>(HDSTA)</sub>	Hold time after a repeated START condition. After this period, the first clock is generated.	100			ns
t <sub>(SUSTA)</sub>	Repeated START condition setup time	100			ns
t <sub>(SUSTO)</sub>	STOP condition setup time	100			ns
t <sub>(HDDAT)</sub>	Data hold time	10		900	ns
t <sub>(SUDAT)</sub>	Data setup time	100			ns
t <sub>(LOW)</sub>	SCL clock low period	1300			ns
t <sub>(HIGH)</sub>	SCL clock high period	600			ns
t <sub>F</sub>	Data fall time			300	ns
t <sub>F</sub>	Clock fall time			300	ns
t <sub>R</sub>	Clock rise time			300	ns
t <sub>R</sub>	Clock rise time (SCLK ≤ 100 kHz)			1000	ns
<b>I<sup>2</sup>C BUS (HIGH-SPEED MODE)</b>					
F <sub>(SCL)</sub>	I <sup>2</sup> C clock frequency	10		2940	kHz
t <sub>(BUF)</sub>	Bus free time between STOP and START conditions	160			ns
t <sub>(HDSTA)</sub>	Hold time after a repeated START condition. After this period, the first clock is generated.	100			ns
t <sub>(SUSTA)</sub>	Repeated START condition setup time	100			ns
t <sub>(SUSTO)</sub>	STOP condition setup time	100			ns
t <sub>(HDDAT)</sub>	Data hold time	10		125	ns
t <sub>(SUDAT)</sub>	Data setup time	20			ns
t <sub>(LOW)</sub>	SCL clock low period	200			ns
t <sub>(HIGH)</sub>	SCL clock high period	60			ns
t <sub>F</sub>	Data fall time			80	ns
t <sub>F</sub>	Clock fall time			40	ns
t <sub>R</sub>	Clock rise time			40	ns

### 6.7 Timing Diagram



**Figure 6-1. I<sup>2</sup>C Timing Diagram**

## 6.8 Typical Characteristics

at  $T_A = 25^\circ\text{C}$ ,  $V_{VS} = 3.3\text{ V}$ ,  $V_{CM} = 12\text{ V}$ , and  $V_{SENSE} = (V_{IN+} - V_{IN-}) = 0\text{ mV}$  (unless otherwise noted)

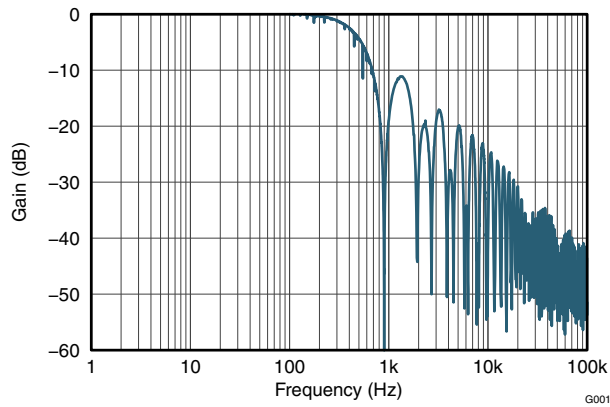


Figure 6-2. Frequency Response

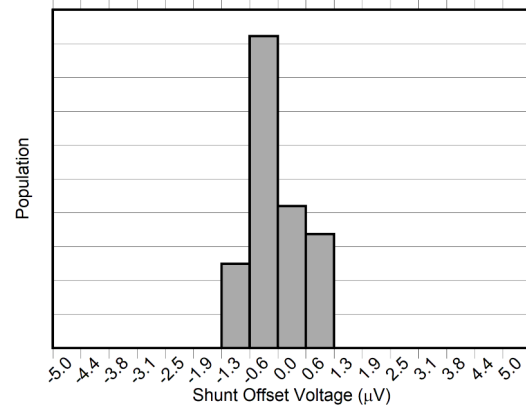


Figure 6-3. Shunt Input Offset Voltage Production Distribution

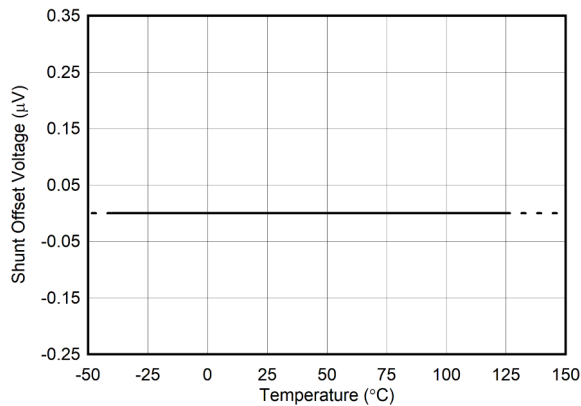


Figure 6-4. Shunt Input Offset Voltage vs Temperature

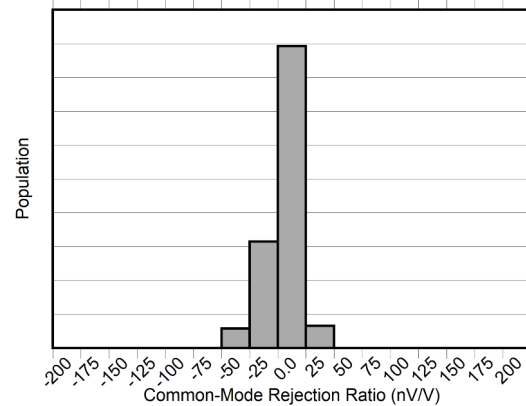


Figure 6-5. CMRR Production Distribution

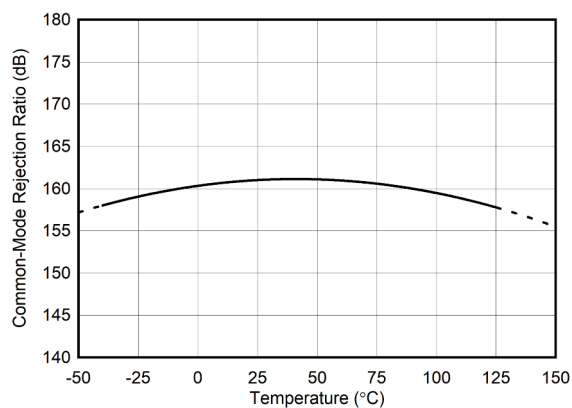


Figure 6-6. Shunt Input CMRR vs Temperature

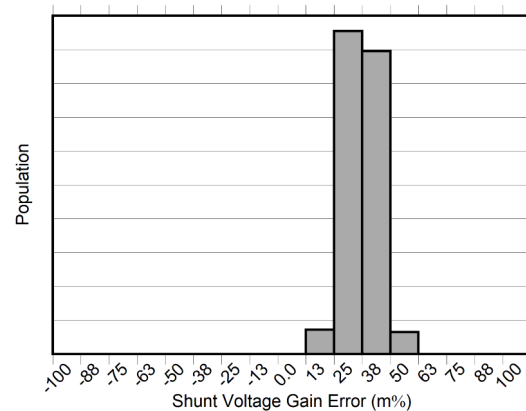
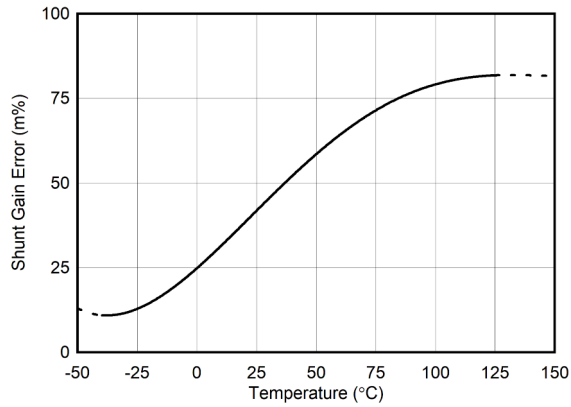


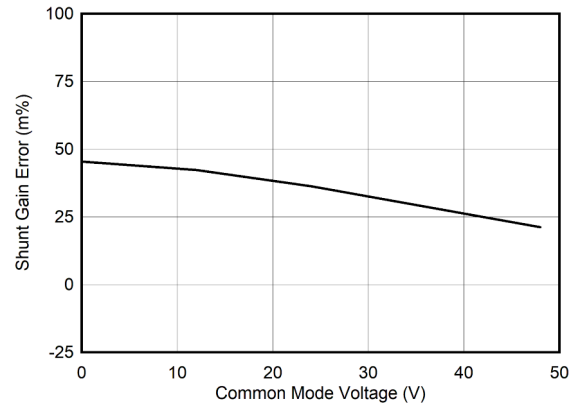
Figure 6-7. Shunt Voltage Gain Error Production Distribution

## 6.8 Typical Characteristics (continued)

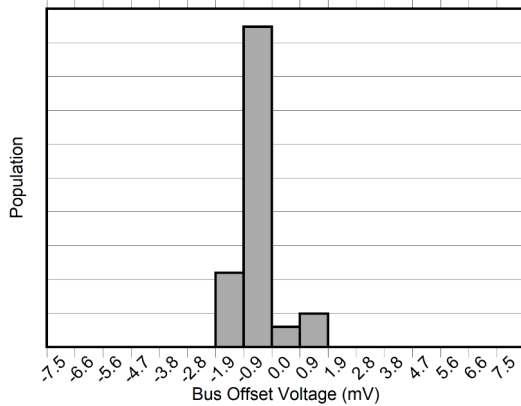
at  $T_A = 25^\circ\text{C}$ ,  $V_{VS} = 3.3\text{ V}$ ,  $V_{CM} = 12\text{ V}$ , and  $V_{SENSE} = (V_{IN+} - V_{IN-}) = 0\text{ mV}$  (unless otherwise noted)



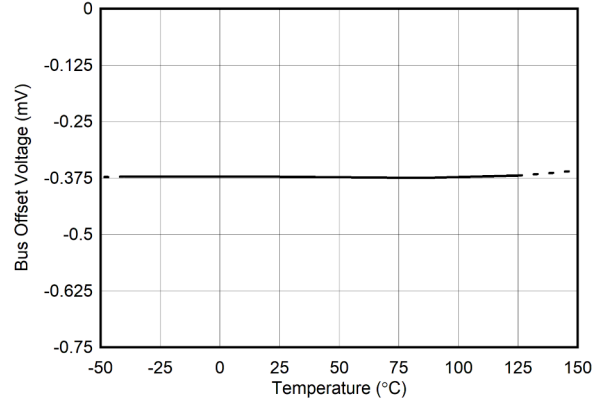
**Figure 6-8. Shunt Gain Error vs Temperature**



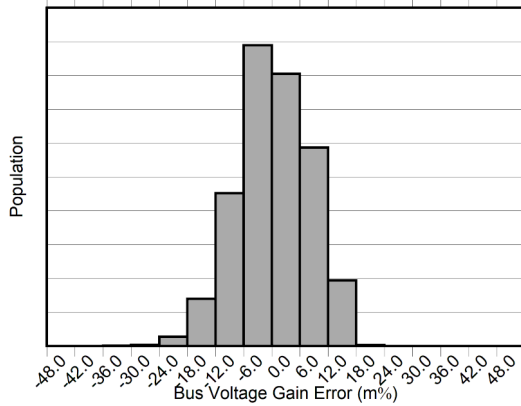
**Figure 6-9. Shunt Gain Error vs Common-Mode Voltage**



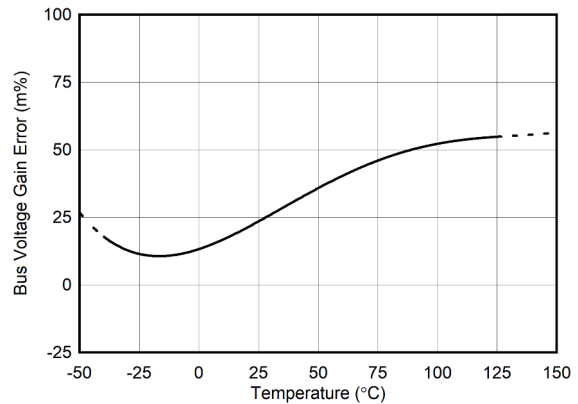
**Figure 6-10. Bus Offset Voltage ( $V_{IN-}$ ) Production Distribution**



**Figure 6-11. Bus Offset Voltage ( $V_{IN-}$ ) vs Temperature**



**Figure 6-12. Bus Voltage ( $V_{IN-}$ ) Gain Error Production Distribution**



**Figure 6-13. Bus Voltage ( $V_{IN-}$ ) Gain Error vs Temperature**

### 6.8 Typical Characteristics (continued)

at  $T_A = 25^\circ\text{C}$ ,  $V_{VS} = 3.3\text{ V}$ ,  $V_{CM} = 12\text{ V}$ , and  $V_{SENSE} = (V_{IN+} - V_{IN-}) = 0\text{ mV}$  (unless otherwise noted)

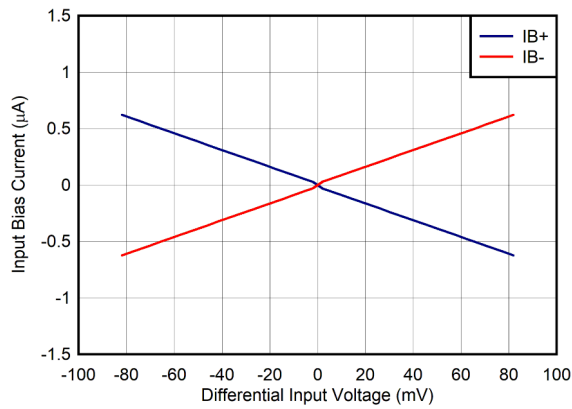


Figure 6-14. Input Bias Current vs Differential Voltage

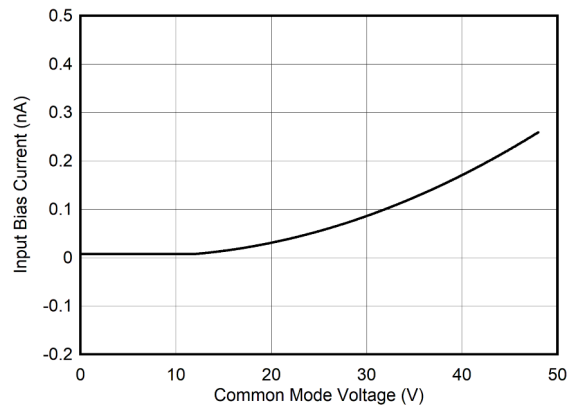


Figure 6-15. Input Bias Current vs Common-Mode Voltage (IB+, IB-)

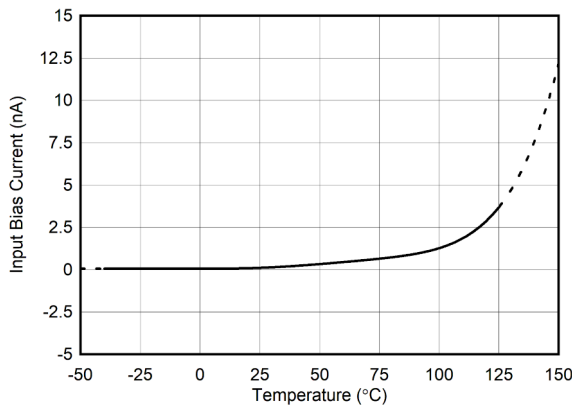


Figure 6-16. Input Bias Current vs Temperature

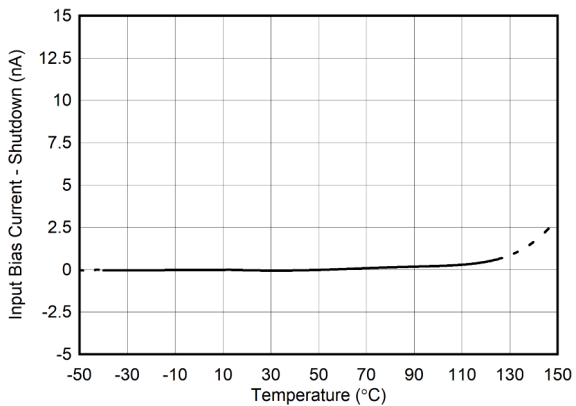


Figure 6-17. Input Bias Current vs Temperature (Shutdown)

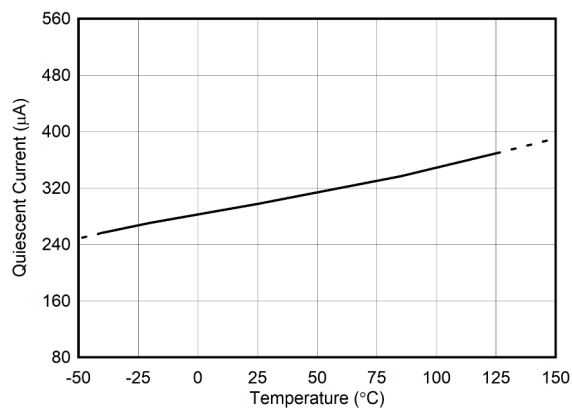


Figure 6-18. Quiescent Current vs Temperature

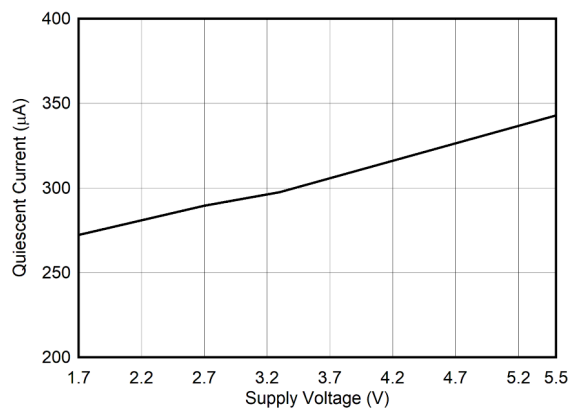
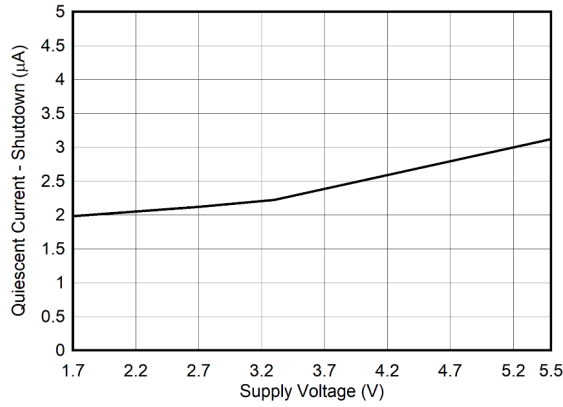


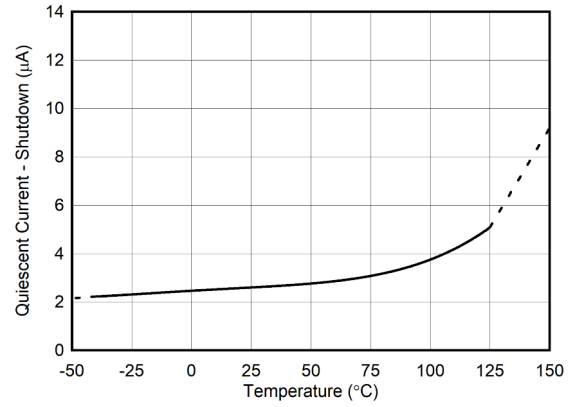
Figure 6-19. Quiescent Current vs Supply Voltage

### 6.8 Typical Characteristics (continued)

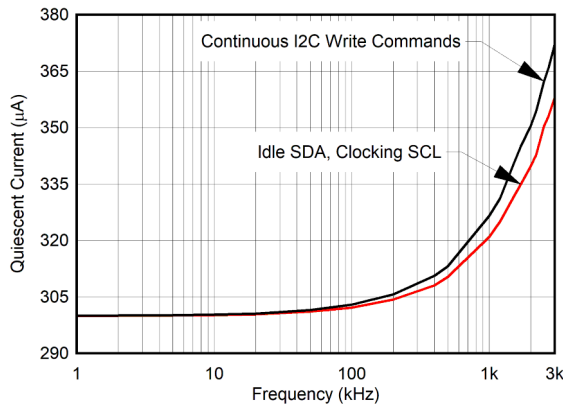
at  $T_A = 25^\circ\text{C}$ ,  $V_{VS} = 3.3\text{ V}$ ,  $V_{CM} = 12\text{ V}$ , and  $V_{SENSE} = (V_{IN+} - V_{IN-}) = 0\text{ mV}$  (unless otherwise noted)



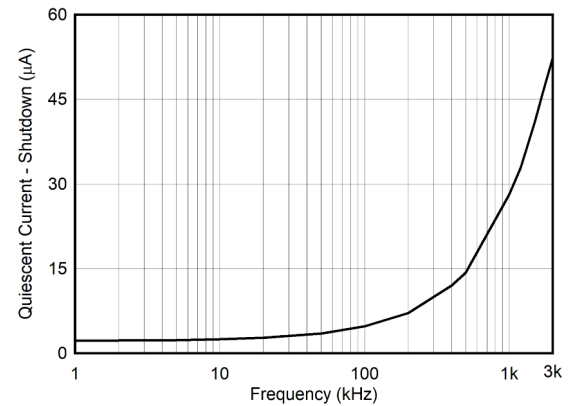
**Figure 6-20. Quiescent Current - Shutdown vs Supply Voltage**



**Figure 6-21. Quiescent Current - Shutdown vs Temperature**



**Figure 6-22. Quiescent Current vs Clock (SCL) Frequency**



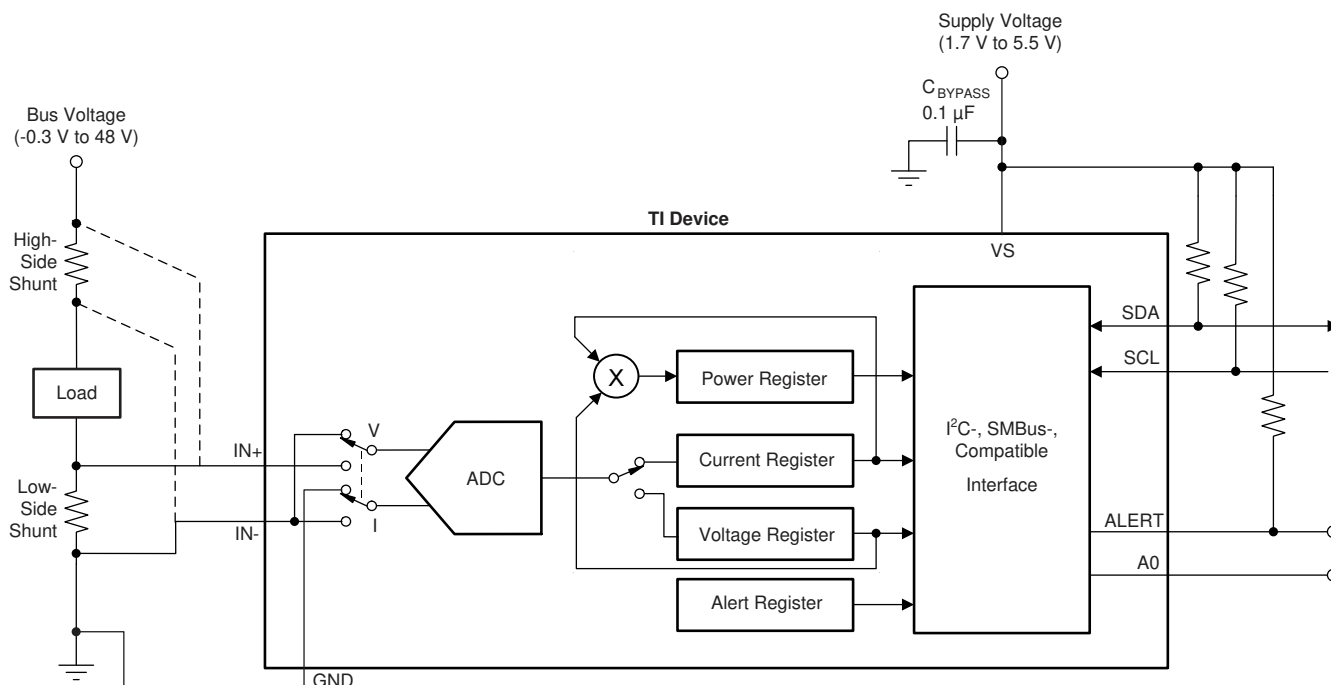
**Figure 6-23. Quiescent Current - Shutdown vs SCL Frequency**

## 7 Detailed Description

### 7.1 Overview

The INA236 is a digital current-sense amplifier with an I<sup>2</sup>C- and SMBus-compatible interface. The device reports the sensed current and features programmable out-of-range limits to issue alerts when the current is outside the normal range of operation. The integrated analog-to-digital converter (ADC) can be set to different averaging modes and configured for continuous-versus-triggered operation. [Device Registers](#) provides detailed register information for the INA236.

### 7.2 Functional Block Diagram



### 7.3 Feature Description

#### 7.3.1 Integrated Analog-to-Digital Converter (ADC)

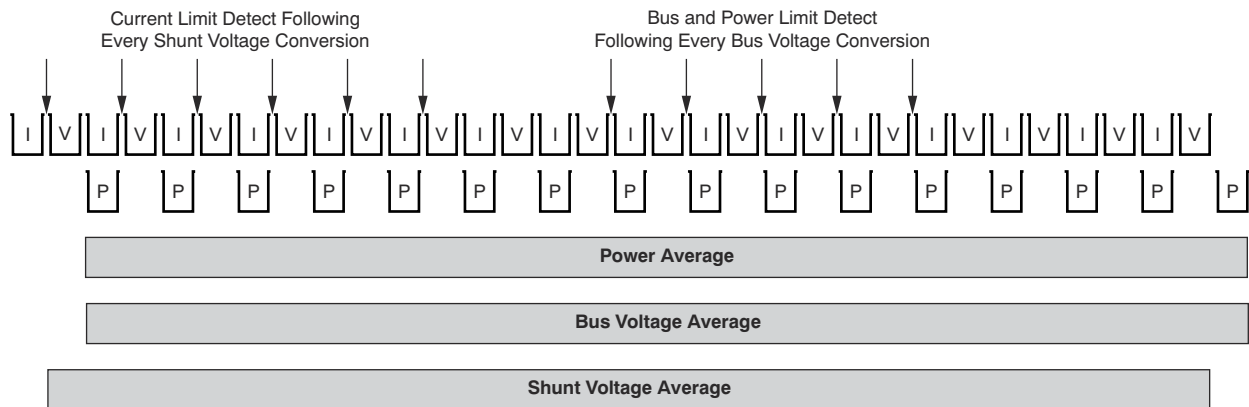
The INA236 integrates a low offset 16-bit delta-sigma ( $\Delta\Sigma$ ) ADC. This ADC is multiplexed to process both the shunt voltage and bus voltage measurements. Bus voltage measurements are made with respect to IN<sup>-</sup> and GND. The shunt voltage measurement is a differential measurement of the voltage developed when the load current flows through a shunt resistor as measured between the IN<sup>+</sup> and IN<sup>-</sup> pins. The shunt voltage measurement has an maximum offset voltage of only 5  $\mu$ V and a maximum gain error of 0.1%. The low offset voltage of the shunt voltage measurement allows for increased accuracy at light load conditions for a given shunt resistor value. Another advantage of low offset is the ability to sense a lower voltage drop across the sense resistor accurately, thus allowing for a lower-value shunt resistor. Lower-value shunt resistors reduce power loss in the current-sense circuit and help improve the power efficiency of the end application.

There are no special considerations for power-supply sequencing because the bus common-mode at the IN<sup>+</sup> and IN<sup>-</sup> pins and power-supply voltage at the vs. pin are independent of each other; therefore, the bus common-mode voltage can be present with the supply voltage off, and vice-versa.

#### 7.3.2 Power Calculation

[Figure 7-1](#) shows that the current and power are calculated after a shunt voltage and bus voltage measurement. Power is calculated based on the previous current calculation and the latest bus voltage measurement. If the value loaded into the calibration register is zero, the power value reported is also zero. The current and power values are considered intermediate results (unless the averaging is set to 1) and are stored in an internal accumulation register. Following every measured sample, the newly-calculated values for current and power are appended to this accumulation register until all of the samples have been measured and averaged. After all

of the samples have been measured and the corresponding current and power calculations have been made, the accumulated average for each of these parameters is then loaded to the corresponding output registers where they can then be read. These calculations are performed in the background and do not add to the overall conversion time.



**Figure 7-1. Power Calculation Scheme**

### 7.3.3 Low Bias Current

When performing a current measurement, the INA236 features very low input bias current which provides several benefits. The low input bias current of the INA236 reduces the current consumed by the device in both active and shutdown state. Another benefit of low bias current is that it allows the use of input filters to reject high-frequency noise before the signal is converted to digital data. In traditional digital current-sense monitors, the addition of input filters comes at the cost of reduced accuracy. However, as a result of the low bias current, the reduction in accuracy due to input filters is minimized. An additional benefit of low bias current is the ability to use a larger shunt resistor to accurately sense smaller currents. Use of a larger value for the shunt resistor allows the device to accurately monitor currents in the sub-mA range.

The bias current in the INA236 is the smallest when the sensed current is zero. As the current starts to increase, the differential voltage drop across the shunt resistor increases which results in an increase in the bias current (see [Figure 6-14](#)).

The INA236 has low bias current only when making a current measurement, when bus voltage measurements are made the impedance of the IN– will decrease. During bus voltage measurements the IN– pin will be connected to an internal resistor divider with an impedance of approximately 1 MΩ. Configuring the ADC to perform only current measurements will allow the device to always have low bias current.

### 7.3.4 Low Voltage Supply and Wide Common-Mode Voltage Range

The supply voltage range of the INA236 is 1.7 V to 5.5 V. The ability to operate at 1.7 V enables the device to be used in 1.8-V supply rails. Even with a supply voltage of 1.7 V, the device can monitor currents on voltage rails as high as 48 V. This wide common-mode range of operation allows the device to be used in many applications where the common-mode voltage exceeds the supply voltage rail.

### 7.3.5 ALERT Pin

The INA236 has a single [Mask/Enable register \(06h\)](#) that allows the ALERT pin to be programmed to respond to a single user-defined event or to a conversion ready notification if desired. The Mask/Enable register allows the selection from one of the five available functions to monitor and set the conversion ready bit (CNVR, Mask/Enable register) to control the response of the ALERT pin. Based on the function being monitored, a value would then be entered into the [Alert Limit register](#) to set the corresponding threshold value that asserts the ALERT pin.

The ALERT pin allows for one of several available alert functions to be monitored to determine if a user-defined threshold has been exceeded. The five alert functions that can be monitored are:

- Shunt voltage overlimit (SOL)
- Shunt voltage underlimit (SUL)

- Bus voltage overlimit (BOL)
- Bus voltage underlimit (BUL)
- Power overlimit (POL)

The ALERT pin is an open-drain output. This pin is asserted when the alert function selected in the Mask/Enable register exceeds the value programmed into the Alert Limit register. Only one of these alert functions can be enabled and monitored at a time. If multiple alert functions are enabled, the selected function in the highest significant bit position takes priority and responds to the Alert Limit register value. For example, if the SOL and the SUL are both selected, the ALERT pin asserts when the Shunt Voltage Over Limit register exceeds the value in the Alert Limit register.

The conversion-ready state of the device can also be monitored at the ALERT pin to inform the user when the device has completed the previous conversion and is ready to begin a new conversion. The conversion ready flag (CVRF) bit can be monitored at the ALERT pin along with one of the alert functions. If an alert function and the CNVR bit are both enabled for monitoring at the ALERT pin, then after the ALERT pin is asserted, the CVRF bit (D3) and the AFF bit (D4) in the Mask/Enable register must be read following the alert to determine the source of the alert. If the conversion ready feature is not desired, and the CNVR bit is not set, the ALERT pin only responds to an exceeded alert limit based on the alert function enabled.

If the alert function is not used, the ALERT pin can be left floating without impacting the operation of the device.

Refer to [Figure 7-1](#) to see the relative timing of when the value in the Alert Limit register is compared to the corresponding converted value. For example, if the alert function that is enabled is Shunt Voltage Over Limit (SOL), following every shunt voltage conversion the value in the Alert Limit register is compared to the measured shunt voltage to determine if the measurements have exceeded the programmed limit. The AFF bit (D4, Mask/Enable register) asserts high any time the measured voltage exceeds the value programmed into the Alert Limit register. In addition to the AFF bit being asserted, the ALERT pin is asserted based on the Alert Polarity bit (APOL, D1, Mask/Enable register). If the Alert Latch is enabled, the AFF bit and ALERT pin remain asserted until either the Configuration register is written to or the Mask/Enable register is read.

The bus voltage alert functions (BOL and BUL, Mask/Enable register) compare the measured bus voltage to the Alert Limit register following every bus voltage conversion and assert the AFF bit and ALERT pin if the limit threshold is exceeded.

The power overlimit alert function (POL, Mask/Enable register) is also compared to the calculated power value following every bus voltage measurement conversion and asserts the AFF bit and ALERT pin if the limit threshold is exceeded.

The alert function compares the programmed alert limit value to the result of each corresponding conversion. Therefore, an alert can be issued during a conversion cycle where the averaged value of the signal does not exceed the alert limit. Triggering an alert based on this intermediate conversion allows for out-of-range events to be detected faster than the averaged output data registers are updated. This fast detection can be used to create alert limits for quickly changing conditions through the use of the alert function, as well as to create limits to longer-duration conditions through software monitoring of the averaged output values.

## 7.4 Device Functional Modes

### 7.4.1 Continuous Verses Triggered Operation

The INA236 has two operating modes, continuous and triggered, that determine how the ADC operates after these conversions. When the INA236 is in the normal operating mode (that is, the MODE bits of the Configuration register are set to '111'), it continuously converts a shunt voltage reading followed by a bus voltage reading.

In triggered mode, writing any of the triggered convert modes into the [Configuration register \(0h\)](#) (that is, the MODE bits of the Configuration register are set to 001) triggers a single-shot conversion. This action produces a single set of measurements. To trigger another single-shot conversion, the Configuration register must be written to again, even if the mode does not change.

Although the INA236 can be read at any time, and the data from the last conversion remain available, the conversion ready flag bit (CVRF bit, Mask/Enable register) is provided to help coordinate single-shot or triggered

conversions. The CVRF bit is set after all conversions, averaging, and multiplication operations are complete for a single cycle.

The CVRF bit clears under these conditions:

1. Writing to the Configuration register, except when configuring the MODE bits for power-down mode; or
2. Reading the Mask/Enable register.

#### 7.4.2 Device Shutdown

In addition to the two operating modes (continuous and triggered), the INA236 also has a power-down mode that reduces the quiescent current and input bias current. The power-down mode reduces supply drain when the device is not being used. Full recovery from power-down mode requires 100  $\mu$ s. The device remains in power-down mode until one of the active modes settings are written into the Configuration register.

#### 7.4.3 Power-On Reset

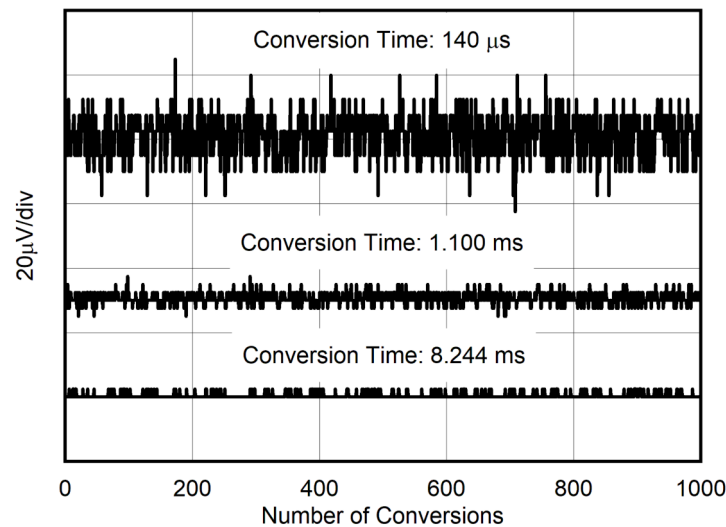
Power-on reset (POR) is asserted when  $V_S$  drops below 0.95 V (typical) at which all of the registers are reset to their default values. The default power-up register values are shown in the reset column for each register description. [Table 7-2](#) provides links to the register descriptions.

#### 7.4.4 Averaging and Conversion Time Considerations

The INA236 has programmable conversion times for both the shunt voltage and bus voltage measurements. The conversion times for these measurements can be selected from as fast as 140  $\mu$ s to as long as 8.244 ms. The conversion time settings, along with the programmable averaging mode, allow the INA236 to be configured to optimize the available timing requirements in a given application. For example, if a system requires that data be read every 5 ms, the INA236 can be configured with the conversion times set to 588  $\mu$ s and the averaging mode set to 4. This configuration results in the data updating approximately every 4.7 ms. The INA236 can also be configured with a different conversion time setting for the shunt and bus voltage measurements. This type of approach is common in applications where the bus voltage tends to be relatively stable. This situation allows for the time spent measuring the bus voltage to be reduced relative to the shunt voltage measurement. The shunt voltage conversion time can be set to 4.156 ms with the bus voltage conversion time set to 588  $\mu$ s, and the averaging mode set to 1. This configuration also results in data updating approximately every 4.7 ms.

There are trade-offs associated with the conversion time settings and the averaging mode used. The averaging feature can significantly improve the measurement accuracy by effectively filtering the signal. This approach allows the INA236 to reduce noise in the measurement that may be caused by noise coupling into the signal. A greater number of averages enables the INA236 to be more effective in reducing the noise component of the measurement.

The conversion times selected can also have an effect on the measurement accuracy. [Figure 7-2](#) shows multiple conversion times to illustrate the effect of noise on the measurement. To achieve the highest accuracy measurement possible, use a combination of the longest allowable conversion times and highest number of averages, based on the timing requirements of the system.



**Figure 7-2. Noise vs Conversion Time**

## 7.5 Programming

### 7.5.1 I<sup>2</sup>C Serial Interface

The INA236 operates only as a target on both the SMBus and I<sup>2</sup>C interfaces. Connections to the bus are made through the open-drain SDA and SCL lines. The SDA and SCL pins feature integrated spike suppression filters and Schmitt triggers to minimize the effects of input spikes and bus noise. Although the device integrates spike suppression into the digital I/O lines, proper layout techniques help minimize the amount of coupling into the communication lines. This noise introduction could occur from capacitive coupling signal edges between the two communication lines themselves or from other switching noise sources present in the system. Routing traces in parallel with ground in between layers on a printed circuit board (PCB) typically reduces the effects of coupling between the communication lines. Shielded communication lines reduce the possibility of unintended noise coupling into the digital I/O lines that could be incorrectly interpreted as start or stop commands.

The INA236 supports the transmission protocol for fast mode up to 400 kHz and high-speed mode up to 2.94 MHz. All data bytes are transmitted most significant byte first and follow the SMBus 3.0 transfer protocol.

To communicate with the INA236, the controller must first address targets through a target address byte. The target address byte consists of seven address bits and a direction bit that indicates whether the action is to be a read or write operation.

The INA236 uses a single address pin, A0. [Table 7-1](#) shows possible configurations for A0 and the corresponding address for both the A and B versions of the device. The INA236 samples the state of the A0 pin on every bus communication. The pin state for A0 must be established before any activity on the interface occurs. When connecting the SDA pin to A0 to set the device address, make sure to add an additional hold time of 100 ns on the MSB of the I<sup>2</sup>C address to ensure correct device addressing. The A and B device options, each with four unique addresses, allows users to connect up to eight devices in a system without I<sup>2</sup>C address conflicts.

**Table 7-1. Address Pins and Target Addresses**

A0	INA236A DEVICE OPTION	INA236B DEVICE OPTION
GND	1000000	1001000
VS	1000001	1001001
SDA	1000010	1001010
SCL	1000011	1001011

## 7.5.2 Writing to and Reading Through the I<sup>2</sup>C Serial Interface

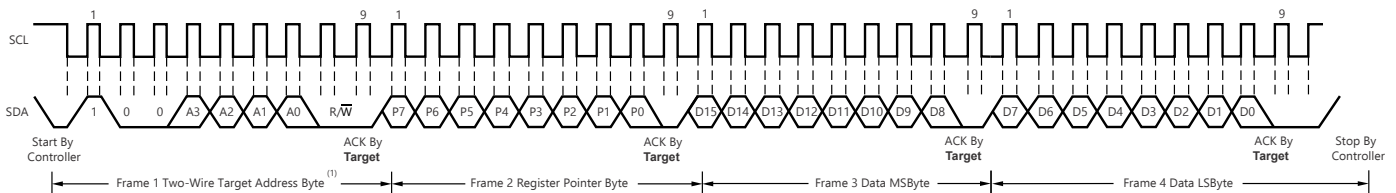
Accessing a specific register on the INA236 is accomplished by writing the appropriate value to the register pointer. Refer to [Register Maps](#) for a complete list of registers and corresponding addresses. The value for the register pointer (see [Figure 7-5](#)) is the first byte transferred after the target address byte with the R/W bit low. Every write operation to the device requires a value for the register pointer.

Writing to a register begins with the first byte transmitted by the controller. This byte is the target address, with the R/W bit low. The device then acknowledges receipt of a valid address. The next byte transmitted by the controller is the address of the register to be accessed. This register address value updates the register pointer to the desired internal device register. The next two bytes are written to the register addressed by the register pointer. The device acknowledges receipt of each data byte. The controller may terminate data transfer by generating a start or stop condition.

When reading from the device, the last value stored in the register pointer by a write operation determines which register is read during a read operation. To change the register pointer for a read operation, a new value must be written to the register pointer. This write is accomplished by issuing a target address byte with the R/W bit low, followed by the register pointer byte. No additional data are required. The controller then generates a start condition and sends the address byte for the target with the R/W bit high to initiate the read command. The next byte is transmitted by the target and is the most significant byte of the register indicated by the register pointer. This byte is followed by an *Acknowledge* from the controller; then the target transmits the least significant byte. The controller may or may not acknowledge receipt of the second data byte. The controller may terminate data transfer by generating a *Not-Acknowledge* after receiving any data byte, or generating a start or stop condition. If repeated reads from the same register are desired, it is not necessary to continually send the register pointer bytes; the device retains the register pointer value until it is changed by the next write operation.

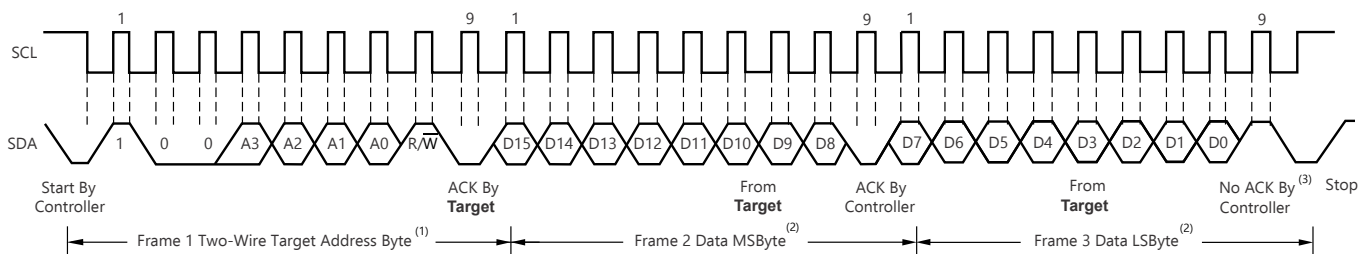
[Figure 7-3](#) shows the write operation timing diagram. [Figure 7-4](#) shows the read operation timing diagram. These diagrams are shown for reading/writing to 16 bit registers.

Register bytes are sent most-significant byte first, followed by the least significant byte.



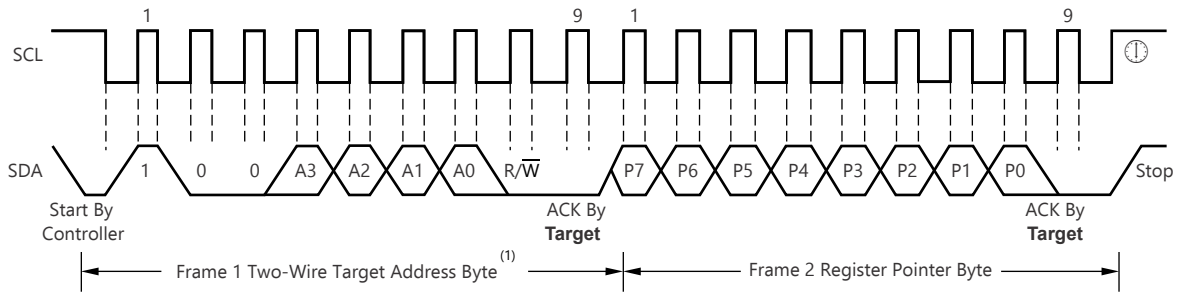
- The value of the Target Address byte is determined by the setting of the A0 address pin. Refer to [Table 7-1](#).
- The device does not support packet error checking (PEC) or perform clock stretching.

**Figure 7-3. Timing Diagram for Write Word Format**



- The value of the Target Address byte is determined by the setting of the A0 address pin. Refer to [Table 7-1](#).
- Read data is from the last register pointer location. If a new register is desired, the register pointer must be updated. See [Figure 7-5](#).
- ACK by the controller can also be sent.
- The device does not support packet error checking (PEC) or perform clock stretching.

**Figure 7-4. Timing Diagram for Read Word Format**



A. The value of the Target Address byte is determined by the setting of the A0 address pin. Refer to [Table 7-1](#).

**Figure 7-5. Typical Register Pointer Set**

### 7.5.3 High-Speed I<sup>2</sup>C Mode

When the bus is idle, both the SDA and SCL lines are pulled high by the pullup resistors. The controller generates a start condition followed by a valid serial byte containing high-speed (HS) controller code `00001XXX`. This transmission is made in fast (400 kHz) or standard (100 kHz) (F/S) mode at no more than 400 kHz. The device does not acknowledge the HS controller code, but does recognize it and switches its internal filters to support 2.94-MHz operation.

The controller then generates a repeated start condition (a repeated start condition has the same timing as the start condition). After this repeated start condition, the protocol is the same as F/S mode, except that transmission speeds up to 2.94 MHz are allowed. Instead of using a stop condition, use repeated start conditions to maintain the bus in HS-mode. A stop condition ends the HS-mode and switches all the internal filters of the device to support the F/S mode.

### 7.5.4 General Call Reset

A general call reset to multiple devices is implemented by addressing the general call address `0000 000`, with the last  $R/\overline{W}$  bit set to 0. This is then followed by the following data byte `0000 0110` (06h).

On receiving this 2-byte sequence, all devices designed to respond to the general call address will reset. All INA236 devices on the bus will do a soft reset operation and return to the default power-up conditions

### 7.5.5 General Call Start Byte

A general call ADC conversion start command to multiple INA236 devices is implemented by addressing the general call address `0000 000`, with the last  $R/\overline{W}$  bit set to 1. No other data bytes are required. Be aware that other devices in the bus that use general call start commands on the bus will also trigger a start of conversion.

### 7.5.6 SMBus Alert Response

The INA236 is designed to respond to the SMBus Alert Response address. The SMBus Alert Response provides a quick fault identification for simple targets. When an Alert occurs, the controller can broadcast the Alert Response target address (`0001 100`) with the Read/Write bit set high. Following this Alert Response, any target that generates an alert identifies itself by acknowledging the Alert Response and sending its address on the bus.

The Alert Response can activate several different target devices simultaneously, similar to the I<sup>2</sup>C General Call. If more than one target attempts to respond, bus arbitration rules apply. The losing device does not generate an Acknowledge and continues to hold the Alert line low until that device wins arbitration.

## 7.6 Register Maps

### 7.6.1 Device Registers

Table 7-2 lists the INA236 registers. All register locations not listed in Table 7-2 should be considered as reserved locations and the register contents should not be modified.

**Table 7-2. INA236 Registers**

Address	Register Name	Register Size (bits)	Reset Value	Section
0h	Configuration Register	16	4127h	<a href="#">Go</a>
1h	Shunt Voltage Register	16	0000h	<a href="#">Go</a>
2h	Bus Voltage Register	16	0000h	<a href="#">Go</a>
3h	Power Register	16	0000h	<a href="#">Go</a>
4h	Current Register	16	0000h	<a href="#">Go</a>
5h	Calibration Register	16	0000h	<a href="#">Go</a>
6h	Mask/Enable Register	16	0000h	<a href="#">Go</a>
7h	Alert Limit Register	16	0000h	<a href="#">Go</a>
3Eh	Manufacturer ID Register	16	5449h	<a href="#">Go</a>
3Fh	Device ID Register	16	A080h	<a href="#">Go</a>

Complex bit access types are encoded to fit into small table cells. Table 7-3 shows the codes that are used for access types in this section.

**Table 7-3. Device Access Type Codes**

Access Type	Code	Description
Read Type		
R	R	Read
Write Type		
W	W	Write

#### 7.6.1.1 Configuration Register (Address = 0h) [reset = 4127h]

The configuration register is shown in Table 7-4.

**Table 7-4. Configuration Register Field Descriptions**

Bit	Field	Type	Reset	Description
15	RST	R/W	0b	Set this bit to '1' to generate a system reset that is the same as power-on reset. Resets all registers to default values and then self-clears. <b>0b = Normal Operation</b> 1b = System Reset self clears registers to default values
14-13	Reserved	R	10b	Reserved value always returns 10b
12	ADCRANGE	R/W	0b	Enables the selection of the shunt full scale input across IN+ and IN-. <b>0b = ±81.92 mV</b> 1b = ±20.48 mV

**Table 7-4. Configuration Register Field Descriptions (continued)**

Bit	Field	Type	Reset	Description
11-9	AVG	R/W	000b	Sets the number of ADC conversion results to be averaged. The read-back registers are updated after averaging is completed. <b>000b = 1</b> 001b = 4 010b = 16 011b = 64 100b = 128 101b = 256 110b = 512 111b = 1024
8-6	VBUSCT	R/W	100b	Sets the conversion time of the VBUS measurement 000b = 140 $\mu$ s 001b = 204 $\mu$ s 010b = 332 $\mu$ s 011b = 588 $\mu$ s <b>100b = 1100 <math>\mu</math>s</b> 101b = 2116 $\mu$ s 110b = 4156 $\mu$ s 111b = 8244 $\mu$ s
5-3	VSHCT	R/W	100b	Sets the conversion time of the SHUNT measurement 000b = 140 $\mu$ s 001b = 204 $\mu$ s 010b = 332 $\mu$ s 011b = 588 $\mu$ s <b>100b = 1100 <math>\mu</math>s</b> 101b = 2116 $\mu$ s 110b = 4156 $\mu$ s 111b = 8244 $\mu$ s
2-0	MODE	R/W	111b	Operating mode, modes can be selected to operate the device either in Shutdown mode, continuous mode or triggered mode. The mode also allows user to select mux settings to set continuous or triggered mode on bus voltage, shunt voltage measurement. 000b = Shutdown 001b = Shunt Voltage triggered, single shot 010b = Bus Voltage triggered, single shot 011b = Shunt voltage and Bus voltage triggered, single shot 100b = Shutdown 101b = Continuous Shunt voltage 110b = Continuous Bus voltage <b>111b = Continuous Shunt and Bus voltage</b>

Return to the [Summary Table](#).

### 7.6.1.2 Shunt Voltage Register (Address = 1h) [reset = 0000h]

The Shunt Voltage Register stores the current shunt voltage reading,  $V_{SHUNT}$  and is show in [Table 7-5](#). Negative numbers are represented in two's complement format. Generate the two's complement of a negative number by complementing the absolute value binary number and adding 1. An MSB = '1' denotes a negative number.

**Example:** For a value of  $V_{SHUNT} = -80$  mV:

1. Take the absolute value: 80 mV
2. Translate this number to a whole decimal number (80 mV  $\div$  2.5  $\mu$ V) = 32000
3. Convert this number to binary = 0111 1101 0000 0000
4. Complement the binary result = 1000 0010 1111 1111

5. Add '1' to the complement to create the two's complement result = 1000 0011 0000 0000 = 8300h

If averaging is enabled, this register displays the averaged value.

**Table 7-5. Shunt Voltage Register Field Descriptions**

Bit	Field	Type	Reset	Description
15-0	VSHUNT	R	0000h	Differential voltage measured across the shunt output. Two's complement value.

Return to the [Summary Table](#).

### 7.6.1.3 Bus Voltage Register (Address = 2h) [reset = 0000h]

The bus voltage register is shown in [Table 7-6](#).

This register will only return positive values. If averaging is enabled, this register displays the averaged value.

**Table 7-6. Bus Voltage Register Field Descriptions**

Bit	Field	Type	Reset	Description
15	Reserved	R	0b	This bit returns Zero as common mode voltage is only positive
14-0	VBUS	R	0000h	These bits readout the bus voltage of the system

Return to the [Summary Table](#).

### 7.6.1.4 POWER Register (Address = 3h) [reset = 0000h]

The power register is shown in [Table 7-7](#).

If averaging is enabled, this register displays the averaged value. The Power Register records power in Watts by multiplying the decimal values of the Current Register with the decimal value of the Bus Voltage Register. This is an unsigned result.

**Table 7-7. POWER Register Field Descriptions**

Bit	Field	Type	Reset	Description
15-0	POWER	R	0000h	This bit returns a calculated value of power in the system. This is an unsigned result.

Return to the [Summary Table](#).

### 7.6.1.5 CURRENT Register (Address = 4h) [reset = 0000h]

CURRENT is shown in [Table 7-8](#).

If averaging is enabled, this register displays the averaged value. The value of the Current Register is calculated by multiplying the decimal value in the Shunt Voltage Register with the decimal value of the Calibration Register.

**Table 7-8. CURRENT Register Field Descriptions**

Bit	Field	Type	Reset	Description
15-0	CURRENT	R	0000h	Calculated current output in Amperes. Two's complement value.

Return to the [Summary Table](#).

### 7.6.1.6 Calibration Register (Address = 5h) [reset = 0000h]

The calibration register shown in [Table 7-9](#) must be programmed to receive valid current and power results after initial power up or power cycle events.

This register provides the device with the value of the shunt resistor that was present to create the measured differential voltage. It also sets the resolution of the Current Register. Programming this register sets the Current\_LSB and the Power\_LSB.

**Table 7-9. Calibration Register Field Descriptions**

Bit	Field	Type	Reset	Description
15	Reserved	R	0h	
14-0	SHUNT_CAL	R/W	0000h	Programmed value needed for doing the shunt voltage to current conversion.

Return to the [Summary Table](#).

### 7.6.1.7 Mask/Enable Register (Address = 6h) [reset = 0000h]

The Mask/Enable Register is shown in [Table 7-10](#).

**Table 7-10. Mask/Enable Register Field Descriptions**

Bit	Field	Type	Reset	Description
15	SOL (Shunt Over-limit)	R/W	0b	Setting this bit high configures the ALERT pin to be asserted if the shunt voltage conversion result exceeds the value programmed in the LIMIT register
14	SUL (Shunt Under-limit)	R/W	0b	Setting this bit high configures the ALERT pin to be asserted if the shunt voltage conversion result is below the value programmed in the LIMIT register. Cannot be set if Shunt overlimit is set.
13	BOL (Bus Over-limit)	R/W	0b	Setting this bit high configures the ALERT pin to be asserted if the bus voltage conversion result exceeds the value programmed in the LIMIT register Cannot be set if Shunt overlimit or Shunt underlimit is set.
12	BUL (Bus Under-limit)	R/W	0b	Setting this bit high configures the ALERT pin to be asserted if the bus voltage conversion result is below the value programmed in the LIMIT register Cannot be set if Shunt over limit, Shunt under limit or Bus over limit is set.
11	POL (Power Over-limit)	R/W	0b	Setting this bit high configures the ALERT pin to be asserted if the power result exceeds the value programmed in the LIMIT register Cannot be set if Shunt over limit, Shunt under limit, Bus over limit or Bus under limit is set.
10	CNVR (Conversion Ready)	R/W	0b	Setting this bit high configures the ALERT pin to be asserted when the Conversion Ready Flag, Bit 3, is asserted indicating that the device is ready for the next conversion. <b>0b = Disable conversion ready flag on ALERT pin</b> 1b = Enables conversion ready flag on ALERT pin
9-6	Reserved	R	0000b	
5	MemError	R	0b	CRC or ECC error
4	AFF (Alert Function Flag)	R	0b	Alert Function Flag -While only one Alert Function can be monitored at the ALERT pin at a time, the Conversion Ready can also be enabled to assert the ALERT pin. Reading the Alert Function Flag following an alert allows the user to determine if the Alert Function was the source of the Alert. When the Alert Latch Enable bit is set to Latch mode, the Alert Function Flag bit clears only when the Mask/Enable Register is read. When the Alert Latch Enable bit is set to Transparent mode, the Alert Function Flag bit is cleared following the next conversion that does not result in an Alert condition.
3	CVRF (Conversion Ready Flag)	R	0b	Although the device can be read at any time, and the data from the last conversion is available, the Conversion Ready Flag bit is provided to help coordinate one-shot or triggered conversions. The Conversion Ready Flag bit is set after all conversions, averaging, and multiplications are complete. Conversion Ready Flag bit clears under the following conditions: 1.) Writing to the Configuration Register (except for Power-Down selection) 2.) Reading the Mask/Enable Register

**Table 7-10. Mask/Enable Register Field Descriptions (continued)**

Bit	Field	Type	Reset	Description
2	OVF (Math Over-flow)	R	0b	This bit is set to '1' if an arithmetic operation resulted in an overflow error. It indicates that current and power data may be invalid.
1	APOL (Alert Polarity)	R/W	0b	Alert Polarity bit sets the Alert pin polarity. <b>0b = Normal (Active-low open drain)</b> 1b= Inverted (active-high )
0	LEN (Alert Latch Enable)	R/W	0b	When the Alert Latch Enable bit is set to Transparent mode, the Alert pin and Alert Function Flag (AFF) bit resets to the idle states when the fault condition has been cleared. When the Alert Latch Enable bit is set to Latch mode, the Alert pin and AFF bit remains active following a fault until this register flag has been read. This bit must be set to use the I2C Alert Response function. <b>0b = Transparent</b> 1b = Latched Alert pin

Return to the [Summary Table](#).

#### 7.6.1.8 Alert Limit Register (Address = 7h) [reset = 0000h]

The alert limit register is shown in [Table 7-11](#).

**Table 7-11. Alert Limit Register Field Descriptions**

Bit	Field	Type	Reset	Description
15-0	LIMIT	R/W	0000h	The Alert Limit Register contains the value used to compare to the register selected in the Mask/Enable Register to determine if a limit has been exceeded. A two's complement value must be used for the Shunt Over Voltage limit. Limit values entered should match the format of the targeted register

Return to the [Summary Table](#).

#### 7.6.1.9 Manufacturer ID Register (Address = 3Eh) [reset = 5449h]

The manufacturer ID register is shown in [Table 7-12](#).

**Table 7-12. MANUFACTURE\_ID Register Field Descriptions**

Bit	Field	Type	Reset	Description
15-0	MANUFACTURE_ID	R	5449h	Reads back TI in ASCII

Return to the [Summary Table](#).

#### 7.6.1.10 Device ID Register (Address = 3Fh) [reset = A080h]

The Device ID register is shown in [Table 7-13](#).

**Table 7-13. DEVICE\_ID Register Field Descriptions**

Bit	Field	Type	Reset	Description
15-3	DIEID	R	A080h	Stores the device identification bits
3-0	Reserved	R	0h	Always read 0

Return to the [Summary Table](#).

## 8 Application and Implementation

### Note

Information in the following applications sections is not part of the TI component specification, and TI does not warrant its accuracy or completeness. TI's customers are responsible for determining suitability of components for their purposes, as well as validating and testing their design implementation to confirm system functionality.

### 8.1 Application Information

The INA236 is a current shunt monitor with an I<sup>2</sup>C- and SMBus-compatible interface. The device monitors a shunt voltage drop to calculate the current and bus voltage at IN<sup>-</sup> pin to determine power. Programmable calibration value, conversion times, and averaging (combined with an internal multiplier) enable direct readouts of current in amperes and power in watts.

#### 8.1.1 Device Measurement Range and Resolution

The INA236 device supports two input ranges for the shunt voltage measurement. The supported full scale differential input across the IN<sup>+</sup> and IN<sup>-</sup> pins can be either  $\pm 81.92$  mV or  $\pm 20.48$  mV depending on the ADCRANGE bit in the [Configuration Register \(0h\)](#) register. The range for the bus voltage measurement at the IN<sup>-</sup> pin is from 0 V to 52.42 V, but is limited by process ratings to the max operating voltage.

[Table 8-1](#) provides a description of full scale voltage on shunt and bus voltage measurements, along with their associated resolution.

**Table 8-1. ADC Full Scale Values**

PARAMETER	FULL SCALE VALUE	RESOLUTION
Shunt voltage	$\pm 81.92$ mV (ADCRANGE = 0)	2.5 $\mu$ V/LSB
	$\pm 20.48$ mV (ADCRANGE = 1)	625 nV/LSB
Bus voltage	0 V to 52.4 V (Limit usable range to recommended operating voltage)	1.6 mV/LSB

The device shunt voltage and bus voltage measurements are read through the Shunt Voltage register (1h) and Bus Voltage register (2h), respectively. The digital output in shunt voltage and bus voltage registers is 16 bits. The shunt voltage measurement can be positive or negative due to bidirectional currents in the system; therefore the data value in shunt voltage register can be positive or negative. The bus voltage register data value is always positive. The output data can be directly converted into voltage by multiplying the digital value by its respective resolution size.

Furthermore, the device provides the flexibility to report calculated current in Amperes, power in Watts, as described in [Current and Power Calculations](#).

#### 8.1.2 Current and Power Calculations

For the INA236 to report current values in Amperes, a constant conversion value must be written in the calibration register that is dependent on the selected CURRENT\_LSB and the shunt resistance used in the application. The value of the calibration register is calculated based on [Equation 1](#). The term CURRENT\_LSB is the chosen LSB step size for the CURRENT register where the current is stored. [Equation 2](#) shows the minimum value of CURRENT\_LSB is based on the maximum expected current, and it directly defines the maximum resolution of the CURRENT register. While the smallest CURRENT\_LSB value yields highest resolution, it is common to select a higher round-number (no higher than 8x) value for the CURRENT\_LSB to simplify the conversion of the CURRENT.

The  $R_{SHUNT}$  term is the resistance value of the external shunt used to develop the differential voltage across the IN+ and IN– pins. Use [Equation 1](#) for ADCRANGE = 0. For ADCRANGE = 1, the value of SHUNT\_CAL must be divided by 4.

$$SHUNT\_CAL = \frac{0.00512}{Current\_LSB \times R_{SHUNT}} \quad (1)$$

where

- 0.00512 is an internal fixed value used to ensure scaling is maintained properly.
- CURRENT\_LSB is a selected value for the current step size in amperes. Must be greater than or equal to CURRENT\_LSB (minimum), but less than 8 x CURRENT\_LSB(minimum) to reduce resolution loss.
- The value of SHUNT\_CAL must be divided by 4 for ADCRANGE = 1.

$$CURRENT\_LSB \text{ (minimum)} = \frac{\text{Maximum Expected Current}}{2^{15}} \quad (2)$$

Note that the current is calculated following a shunt voltage measurement based on the value set in the SHUNT\_CAL register. If the value loaded into the SHUNT\_CAL register is zero, the current value reported through the CURRENT register is also zero.

After programming the SHUNT\_CAL register with the calculated value, the measured current in Amperes can be read from the CURRENT register. Use [Equation 3](#) to calculate the final value scaled by the CURRENT\_LSB:

$$\text{Current [A]} = CURRENT\_LSB \times CURRENT \quad (3)$$

where

- CURRENT is the value read from the CURRENT register

The power value can be read from the POWER register as a 16-bit value. Use [Equation 4](#) to convert the power to Watts:

$$\text{Power [W]} = 32 \times CURRENT\_LSB \times POWER \quad (4)$$

where

- POWER is the value read from the POWER register.
- CURRENT\_LSB is selected value for the lsb size of the current calculation used in [Equation 1](#).

Refer to [Detailed Design Procedure](#) for a design example using these equations.

### 8.1.3 ADC Output Data Rate and Noise Performance

The INA236 noise performance and effective resolution depend on the ADC conversion time. The device also supports digital averaging which can further help decrease digital noise. The flexibility of the device to select ADC conversion time and data averaging offers increased signal-to-noise ratio and achieves the highest dynamic range with lowest offset. The profile of the noise at lower signals levels is dominated by the system noise that is comprised mainly of 1/f noise or white noise. The effective resolution of the ADC can be increased by increasing the conversion time and increasing the number of averages.

[Table 8-2](#) summarizes the output data rate conversion settings supported by the device. The fastest conversion setting is 140  $\mu$ s. Typical noise-free resolution is represented as Effective Number of Bits (ENOB) based on device measured data. The ENOB is calculated based on noise peak-to-peak values, which assures that full noise distribution is taken into consideration.

**Table 8-2. INA236 Noise Performance**

ADC CONVERSION TIME PERIOD [μs]	OUTPUT SAMPLE AVERAGING [SAMPLES]	OUTPUT SAMPLE PERIOD [ms]	NOISE-FREE ENOB (±81.92-mV) (ADCRANGE = 0)	NOISE-FREE ENOB (±20.48-mV) (ADCRANGE = 1)
140	1	0.14	13.1	11.1
204	1	0.204	13.4	11.1
332	1	0.332	14.1	11.7
588	1	0.588	14.7	12.2
1100	1	1.1	14.7	12.5
2116	1	2.116	15.1	13.4
4156	1	4.156	15.7	14.1
8244	1	8.244	16.0	14.7
140	4	0.56	14.1	12.1
204	4	0.816	14.4	12.4
332	4	1.328	15.1	12.9
588	4	2.352	15.7	13.4
1100	4	4.4	15.7	13.7
2116	4	8.464	16.0	14.7
4156	4	16.624	16.0	14.7
8244	4	32.976	16.0	15.7
140	16	2.24	15.1	13.1
204	16	3.264	15.7	13.4
332	16	5.312	15.7	14.1
588	16	9.408	16.0	14.4
1100	16	17.6	16.0	15.1
2116	16	33.856	16.0	15.7
4156	16	66.496	16.0	15.7
8244	16	131.904	16.0	16.0
140	64	8.96	15.7	13.7
204	64	13.056	16.0	14.4
332	64	21.248	16.0	15.1
588	64	37.632	16.0	15.7
1100	64	70.4	16.0	15.7
2116	64	135.424	16.0	16.0
4156	64	265.984	16.0	16.0
8244	64	527.616	16.0	16.0
140	128	17.92	16.0	14.1
204	128	26.112	16.0	15.1
332	128	42.496	16.0	15.7
588	128	75.264	16.0	15.7
1100	128	140.8	16.0	16.0
2116	128	270.848	16.0	16.0
4156	128	531.968	16.0	16.0
8244	128	1055.232	16.0	16.0
140	256	35.84	16.0	14.7
204	256	52.224	16.0	15.7
332	256	84.992	16.0	15.7
588	256	150.528	16.0	16.0

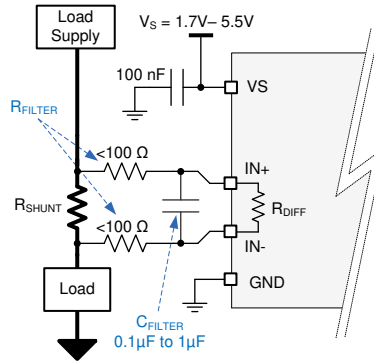
**Table 8-2. INA236 Noise Performance (continued)**

ADC CONVERSION TIME PERIOD [μs]	OUTPUT SAMPLE AVERAGING [SAMPLES]	OUTPUT SAMPLE PERIOD [ms]	NOISE-FREE ENOB (±81.92-mV) (ADCRANGE = 0)	NOISE-FREE ENOB (±20.48-mV) (ADCRANGE = 1)
1100	256	281.6	16.0	16.0
2116	256	541.696	16.0	16.0
4156	256	1063.936	16.0	16.0
8244	256	2110.464	16.0	16.0
140	512	71.68	16.0	15.1
204	512	104.448	16.0	15.7
332	512	169.984	16.0	16.0
588	512	301.056	16.0	16.0
1100	512	563.2	16.0	16.0
2116	512	1083.392	16.0	16.0
4156	512	2127.872	16.0	16.0
8244	512	4220.928	16.0	16.0
140	1024	143.36	16.0	15.7
204	1024	208.896	16.0	16.0
332	1024	339.968	16.0	16.0
588	1024	602.112	16.0	16.0
1100	1024	1126.4	16.0	16.0
2116	1024	2166.784	16.0	16.0
4156	1024	4255.744	16.0	16.0
8244	1024	8441.856	16.0	16.0

### 8.1.4 Filtering and Input Considerations

Measuring current is often noisy and such noise can be difficult to define. The INA236 offers several options for filtering by allowing the conversion times and number of averages to be selected independently in the Configuration register (0h). The conversion times can be set independently for the shunt voltage and bus voltage measurements to allow added flexibility when configuring the monitoring of the power-supply bus.

The internal ADC is based on a delta-sigma ( $\Delta\Sigma$ ) front-end with a 500-kHz ( $\pm 10\%$  maximum) sampling rate. This architecture has good inherent noise rejection; however, transients that occur at or very close to the sampling rate harmonics can cause problems. These signals are at 1 MHz and higher and can be managed by incorporating filtering at the device input. The high frequency enables the use of low-value series resistors on the filter with negligible effects on measurement accuracy. In general, filtering the device input is only necessary if there are transients at exact harmonics of the 500 kHz ( $\pm 10\%$  maximum) sampling rate (greater than 1 MHz). Filter using the lowest possible series resistance (typically 100  $\Omega$  or less) and a ceramic capacitor. Recommended values for this capacitor are between 0.1  $\mu\text{F}$  and 1  $\mu\text{F}$ . [Figure 8-1](#) shows the device with a filter added at the input.

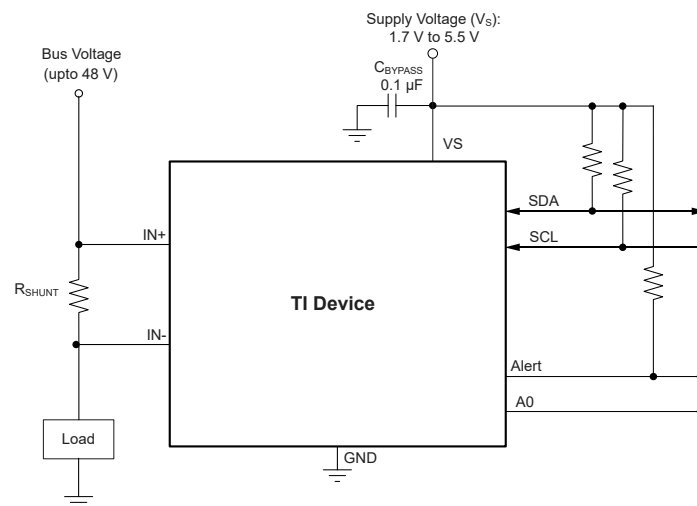


**Figure 8-1. Input Filtering**

Overload conditions are another consideration for the device inputs. The device inputs are specified to tolerate 26 V across the inputs. A large differential scenario can be a short to ground on the load side of the shunt. This type of event can result in full power-supply voltage across the shunt (as long the power supply or energy storage capacitors can support this voltage). Removing a short to ground can result in inductive kickbacks that can exceed the 26-V differential and 48-V common-mode rating of the device. Inductive kickback voltages are best controlled by Zener-type, transient-absorbing devices (commonly called *transzorbs*) combined with sufficient energy storage capacitance. The [Current Shunt Monitor with Transient Robustness Reference Design](#) describes a high-side, current-shunt monitor used to measure the voltage developed across a current-sensing resistor and how to better protect the current-sense device from transient overvoltage conditions.

In applications that do not have large energy storage electrolytics on one or both sides of the shunt, an input overstress condition can result from an excessive dV/dt of the voltage applied to the input. A hard physical short is the most likely cause of this event, and the excessive dV/dt can activate the ESD protection in systems with large currents. Testing demonstrates that the addition of 10-Ω resistors in series with each input of the device sufficiently protects against dV/dt failures up to the 48-V rating of the device. Selecting these resistors in the range noted has minimal effect on accuracy.

## 8.2 Typical Application



**Figure 8-2. Typical High-Side Sensing Circuit Configuration, INA236**

### 8.2.1 Design Requirements

The INA236 measures the voltage developed across a current-sensing resistor ( $R_{SHUNT}$ ) when current passes through it. The device also measures the bus supply voltage and calculates power when calibrated. It also comes with alert capability, where the alert pin can be programmed to respond to a user-defined event or a conversion ready notification.

Table 8-3 lists the design requirements for the circuit shown in Figure 8-2.

**Table 8-3. Design Parameters**

DESIGN PARAMETER	EXAMPLE VALUE
Power-supply voltage ( $V_S$ )	3.3 V
Bus supply rail ( $V_{CM}$ )	12 V
Average Current	6 A
Overcurrent fault threshold	9 A
Maximum current monitored ( $I_{MAX}$ )	10 A
ADC Range Selection ( $V_{SENSE\_MAX}$ )	$\pm 81.92$ mV

## 8.2.2 Detailed Design Procedure

This design example walks through the process of selecting the shunt resistor, programming the calibration register, setting the correct fault thresholds, and how to properly scale returned values from the device.

### 8.2.2.1 Select the Shunt Resistor

Using values from Table 8-3, the maximum value of the shunt resistor is calculated based on the value of the maximum current to be sensed ( $I_{MAX}$ ) and the maximum allowable sense voltage ( $V_{SENSE\_MAX}$ ) for the chosen ADC range. When operating at the maximum current, the differential input voltage must not exceed the maximum full scale range of the device,  $V_{SENSE\_MAX}$ . Using Equation 5 for the given design parameters, the maximum value for  $R_{SHUNT}$  is calculated to be 8.192 m $\Omega$ . The closest standard resistor value that is smaller than the maximum calculated value is 8.0 m $\Omega$ . Smaller resistors can be used to minimize power loss at the expense of reduced accuracy. The shunt resistor selected must have sufficient wattage to handle the power dissipation at maximum load at the desired operating temperature.

$$R_{SHUNT} < \frac{V_{SENSE\_MAX}}{I_{MAX}} \quad (5)$$

### 8.2.2.2 Configure the Device

The first step to program the INA236 is to properly set the device Configuration register (0h). On initial power up, the configuration register is set to the reset values (see Table 7-4). In the default power on state the device is set to measured on the  $\pm 81.92$  mV range with the ADC continuously converting the shunt and bus (voltage at IN $-$ ) voltages. If the default power up conditions do not meet the design requirements, these registers will need to be set properly after each  $V_S$  power cycle event.

### 8.2.2.3 Program the Shunt Calibration Register

The shunt calibration register needs to be correctly programmed at each  $V_S$  power up in order for the device to properly report any result based on current. The first step is to calculate the minimum LSB value for the current by using Equation 2. Applying this equation with the maximum expected current of 10 A results in a minimum LSB size of 305.17578  $\mu$ A. The INA236 allows selection of the CURRENT\_LSB to be up to 8 x larger than the minimum LSB size. For this example a value of 500  $\mu$ A is used. Applying Equation 1 to the Current\_LSB and selected value for the shunt resistor results in a shunt calibration register setting of 1280d (500h). Failure to set the value of the shunt calibration register will result in a zero value for any result based on current. Programming this register is not required for reading shunt voltage, bus voltage, or setting alert limits.

### 8.2.2.4 Set Desired Fault Thresholds

The INA236 has the ability to assert the Alert pin on several different fault conditions as described in [ALERT Pin](#). The desired fault condition to assert the Alert pin needs to be selected by appropriately programming the [Mask/Enable Register \(6h\)](#). Fault thresholds are set by programming the desired trip threshold into the [Alert Limit Register \(7h\)](#).

For example, an overcurrent fault condition would be selected by setting the SOL bit in the Mask/Enable Register to 1. The desired threshold for the over current condition would have to be programmed in the Alert Limit Register. In this example, the over current threshold is 9.0 A and the value of the current sense resistor is

8.0 mΩ, which give a shunt voltage limit of 72 mV. Once the shunt voltage limit is known, the value for the shunt over voltage limit register is calculated by dividing the shunt voltage limit by the shunt voltage LSB size.

For this case, the calculated value of the alert limit register is  $72 \text{ mV} / 2.5 \text{ } \mu\text{V} = 28800\text{d}$  (7080h).

Values stored in the alert limit register are set to the default values after  $V_S$  power cycle events and need to be reprogrammed each time power is applied.

### 8.2.2.5 Calculate Returned Values

Table 8-4 below shows the register values assuming the design requirements shown in Table 8-3. User programmed values for the Configuration, Calibration, Mask/Enable and Alert limit registers are shown, as well as, the returned values for shunt voltage, current, bus voltage and power. Parametric values are calculated by multiplying the returned value by the LSB value.

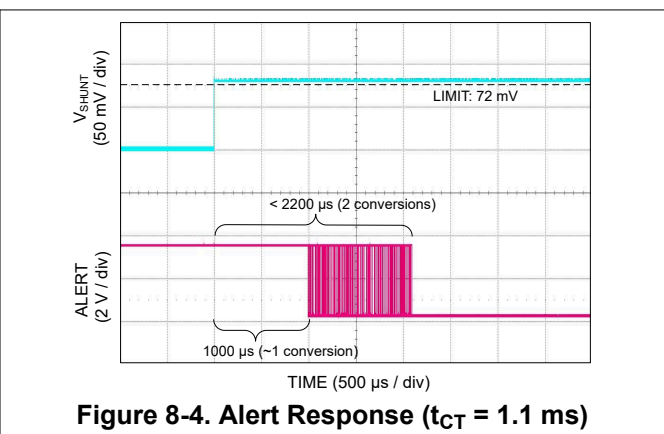
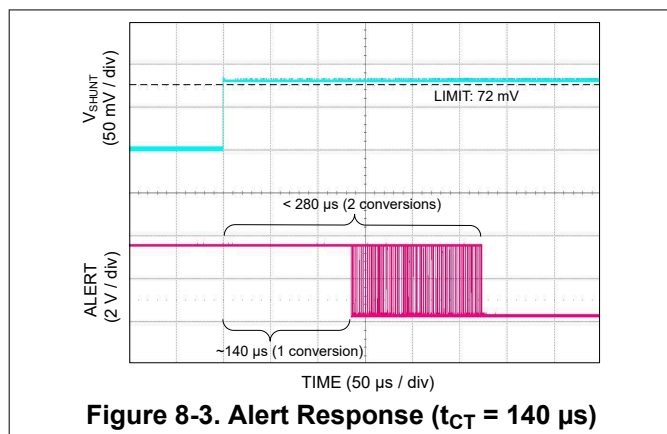
**Table 8-4. Calculate Returned Values**

Register	Contents	LSB Value	Calculated Value
Configuration (0h)	16679d (4127h)	—	—
Calibration (5h)	1280d (500h)	—	—
Mask/Enable (6h)	32768 (8000h)	—	—
Alert Limit (7h)	28800d (7080h)	2.5 $\mu\text{V}/\text{LSB}$	$28800 \times 2.5 \text{ } \mu\text{V} = 0.072 \text{ V}$
Shunt Voltage (1h)	19200d (4B00h)	2.5 $\mu\text{V}/\text{LSB}$	$19200 \times 2.5 \text{ } \mu\text{V} = 0.048 \text{ V}$
Bus Voltage (2h)	7500d (1D4Ch)	1.6 mV/LSB	$7500 \times 1.6 \text{ mV} = 12 \text{ V}$
Current (4h)	12000d (2EE0h)	500 $\mu\text{A}/\text{LSB}$	$12000 \times 500 \text{ } \mu\text{A} = 6 \text{ A}$
Power (3h)	4500d (1194h)	Current LSB x 32 = 16 mW/LSB	$4500 \times 16 \text{ mW} = 72 \text{ W}$

Shunt Voltage and Current return values in two's complement format. In two's complement format a negative value in binary is represented by having a 1 in the most significant bit of the returned value. These values can be converted to decimal by first inverting all the bits and adding 1 to obtain the unsigned binary value. This value should then be converted to decimal with the negative sign applied.

### 8.2.3 Application Curves

Figure 8-3 shows the ALERT pin response to a shunt overvoltage limit of 72 mV for a conversion time ( $t_{CT}$ ) of 140  $\mu\text{s}$  and averaging set to 1. Figure 8-4 shows the response for the same limit but with the conversion time increased to 1.1 ms. For the scope shots shown in these figures, persistence was enabled on the ALERT channel. Figure 8-3 and Figure 8-4 show how the ALERT response time can vary depending on when the fault condition occurs relative to the internal ADC clock of the INA236. For fault conditions that are just exceeding the limit threshold, the response time for the ALERT pin can vary from one to two conversion cycles. As mentioned previously, the variation is because of the timing on when the fault event occurs relative to the start time of the internal ADC conversion cycle. For fault events that greatly exceed the limit threshold, the alert can respond in less than one conversion cycle.



### 8.3 Power Supply Recommendations

Figure 8-2 shows that the device input circuitry can accurately measure signals on common-mode voltages beyond the power-supply voltage,  $V_S$ . For example, the voltage applied to the vs. power supply pin can be 5 V, whereas the bus power-supply voltage being monitored (the common-mode voltage) can be as high as 48 V. The device can also withstand the full -0.3 V to 48 V range at the input pins, regardless of whether the device has power applied or not.

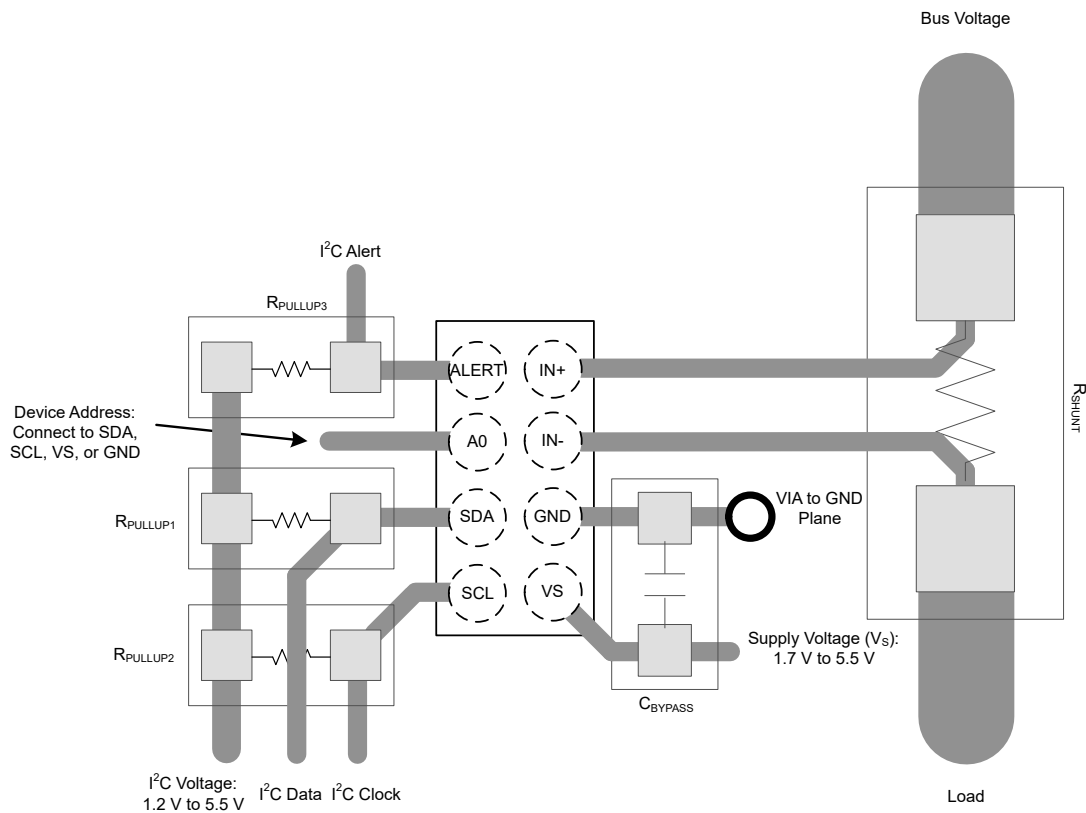
Place the required power-supply bypass capacitors as close as possible to the supply and ground pins of the device to ensure stability. A typical value for this supply bypass capacitor is 0.1  $\mu\text{F}$ . Applications with noisy or high-impedance power supplies can require additional decoupling capacitors to reject power-supply noise.

### 8.4 Layout

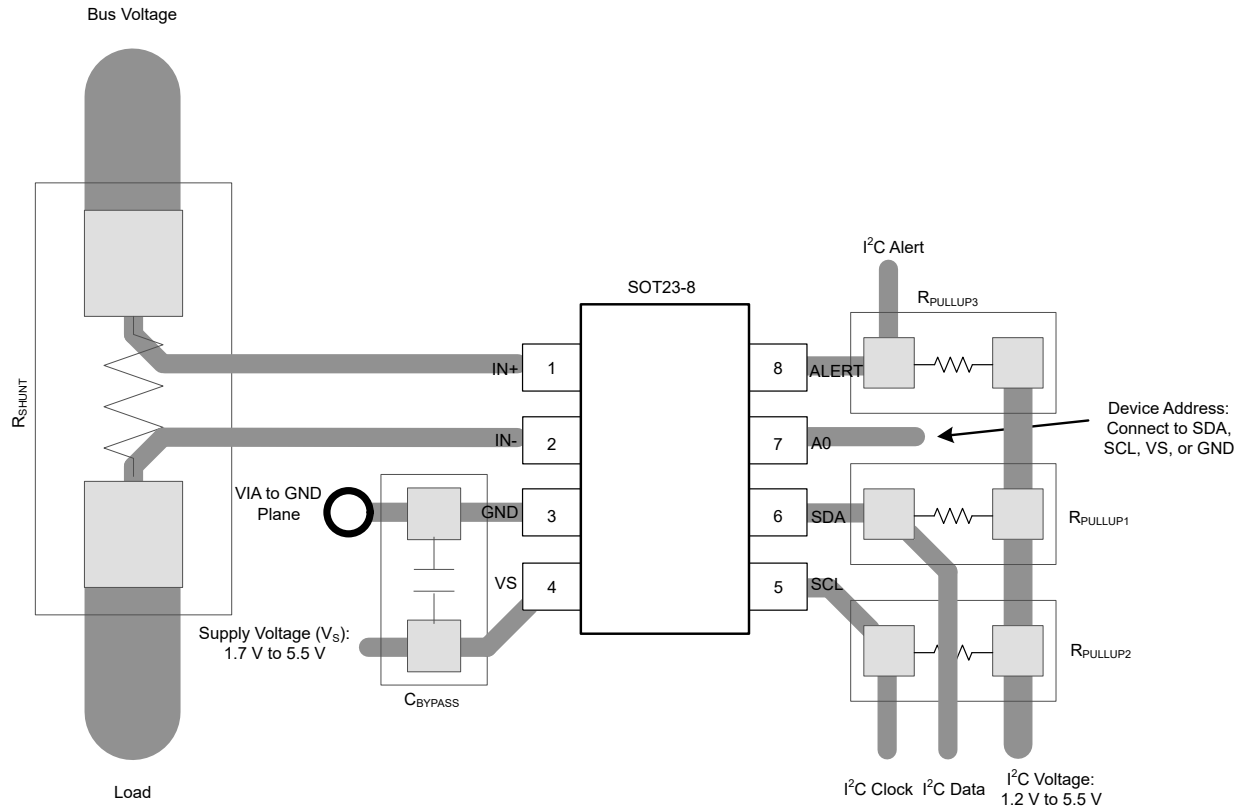
#### 8.4.1 Layout Guidelines

Connect the input pins (IN+ and IN-) to the sensing resistor using a Kelvin connection or a 4-wire connection. These connection techniques ensure that only the current-sensing resistor impedance is detected between the input pins. Poor routing of the current-sensing resistor commonly results in additional resistance present between the input pins. Given the very low ohmic value of the current-sensing resistor, any additional high-current carrying impedance causes significant measurement errors. Place the power-supply bypass capacitor as close as possible to the supply and ground pins.

#### 8.4.2 Layout Example



**Figure 8-5. INA236 Layout Example DSBGA (High Side)**



**Figure 8-6. INA236 Layout Example DDF (High Side)**

## 9 Device and Documentation Support

### 9.1 Device Support

#### 9.1.1 Development Support

For development support see the following:

[INA234EVM and INA236EVM User's Guide](#) (SBOU264)

### 9.2 Documentation Support

#### 9.2.1 Related Documentation

For related documentation see the following:

- Texas Instruments, [Current Shunt Monitor with Transient Robustness Reference Design](#) (TIDU473)
- Texas Instruments, [INA234EVM and INA236EVM User's Guide](#) (SBOU264)

### 9.3 Receiving Notification of Documentation Updates

To receive notification of documentation updates, navigate to the device product folder on [ti.com](#). Click on *Subscribe to updates* to register and receive a weekly digest of any product information that has changed. For change details, review the revision history included in any revised document.

### 9.4 Support Resources

[TI E2E™ support forums](#) are an engineer's go-to source for fast, verified answers and design help — straight from the experts. Search existing answers or ask your own question to get the quick design help you need.

Linked content is provided "AS IS" by the respective contributors. They do not constitute TI specifications and do not necessarily reflect TI's views; see TI's [Terms of Use](#).

### 9.5 Trademarks

TI E2E™ is a trademark of Texas Instruments.

All trademarks are the property of their respective owners.

### 9.6 Electrostatic Discharge Caution



This integrated circuit can be damaged by ESD. Texas Instruments recommends that all integrated circuits be handled with appropriate precautions. Failure to observe proper handling and installation procedures can cause damage.

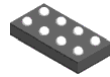
ESD damage can range from subtle performance degradation to complete device failure. Precision integrated circuits may be more susceptible to damage because very small parametric changes could cause the device not to meet its published specifications.

### 9.7 Glossary

[TI Glossary](#) This glossary lists and explains terms, acronyms, and definitions.

## 10 Mechanical, Packaging, and Orderable Information

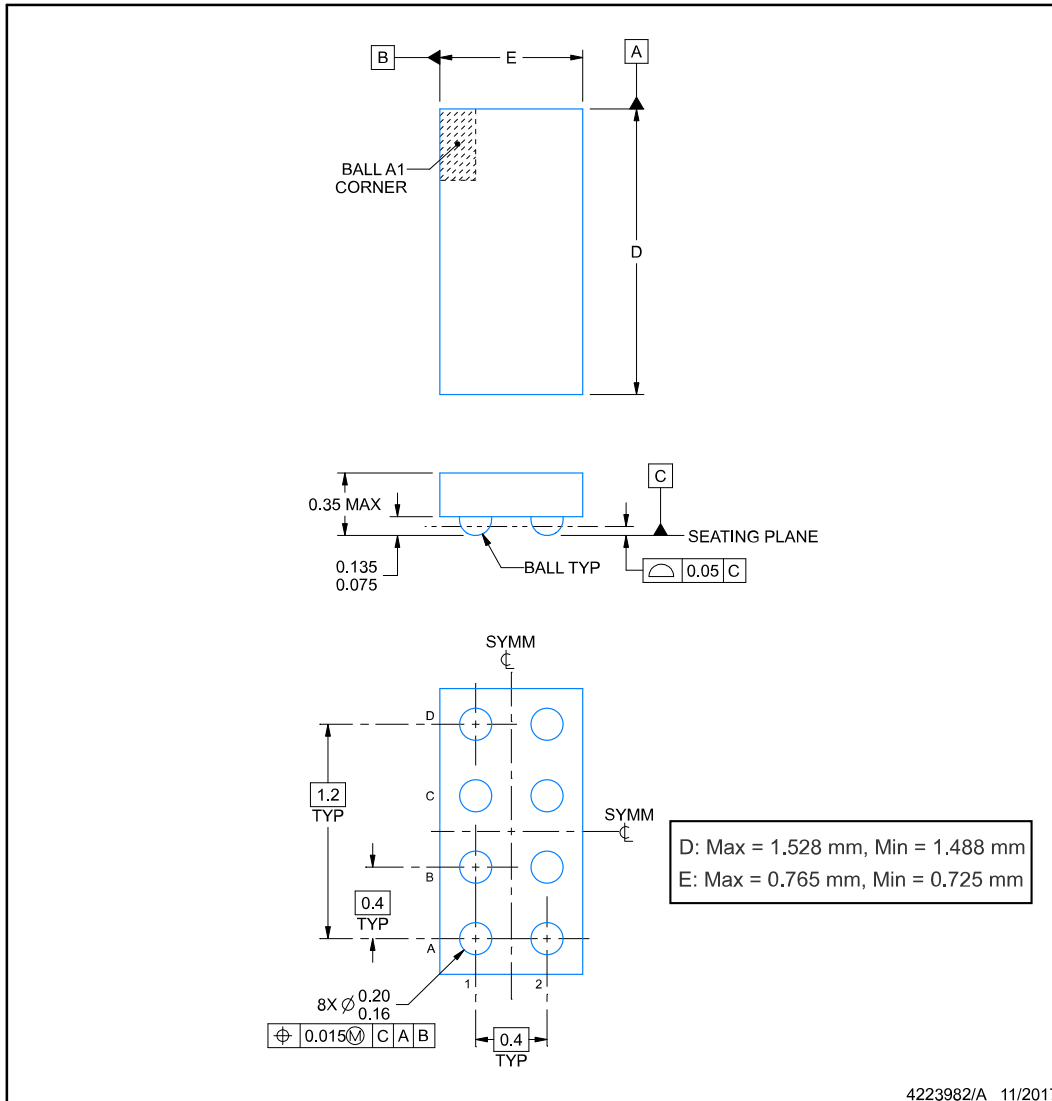
The following pages include mechanical, packaging, and orderable information. This information is the most current data available for the designated devices. This data is subject to change without notice and revision of this document. For browser-based versions of this data sheet, refer to the left-hand navigation.



**YBJ0008**

**PACKAGE OUTLINE**  
**DSBGA - 0.35 mm max height**

DIE SIZE BALL GRID ARRAY



NOTES:

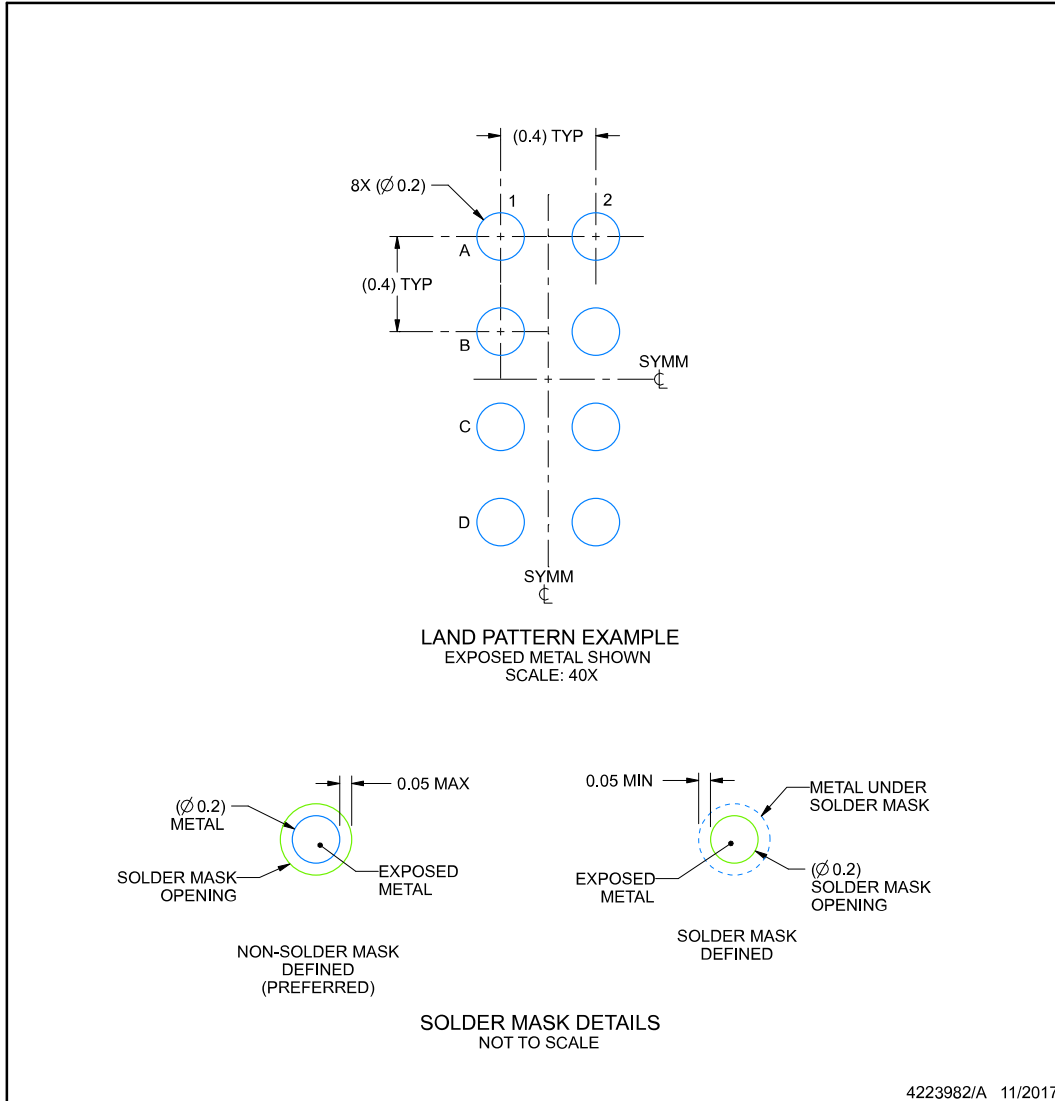
1. All linear dimensions are in millimeters. Any dimensions in parenthesis are for reference only. Dimensioning and tolerancing per ASME Y14.5M.
2. This drawing is subject to change without notice.

## EXAMPLE BOARD LAYOUT

**YBJ0008**

**DSBGA - 0.35 mm max height**

DIE SIZE BALL GRID ARRAY



NOTES: (continued)

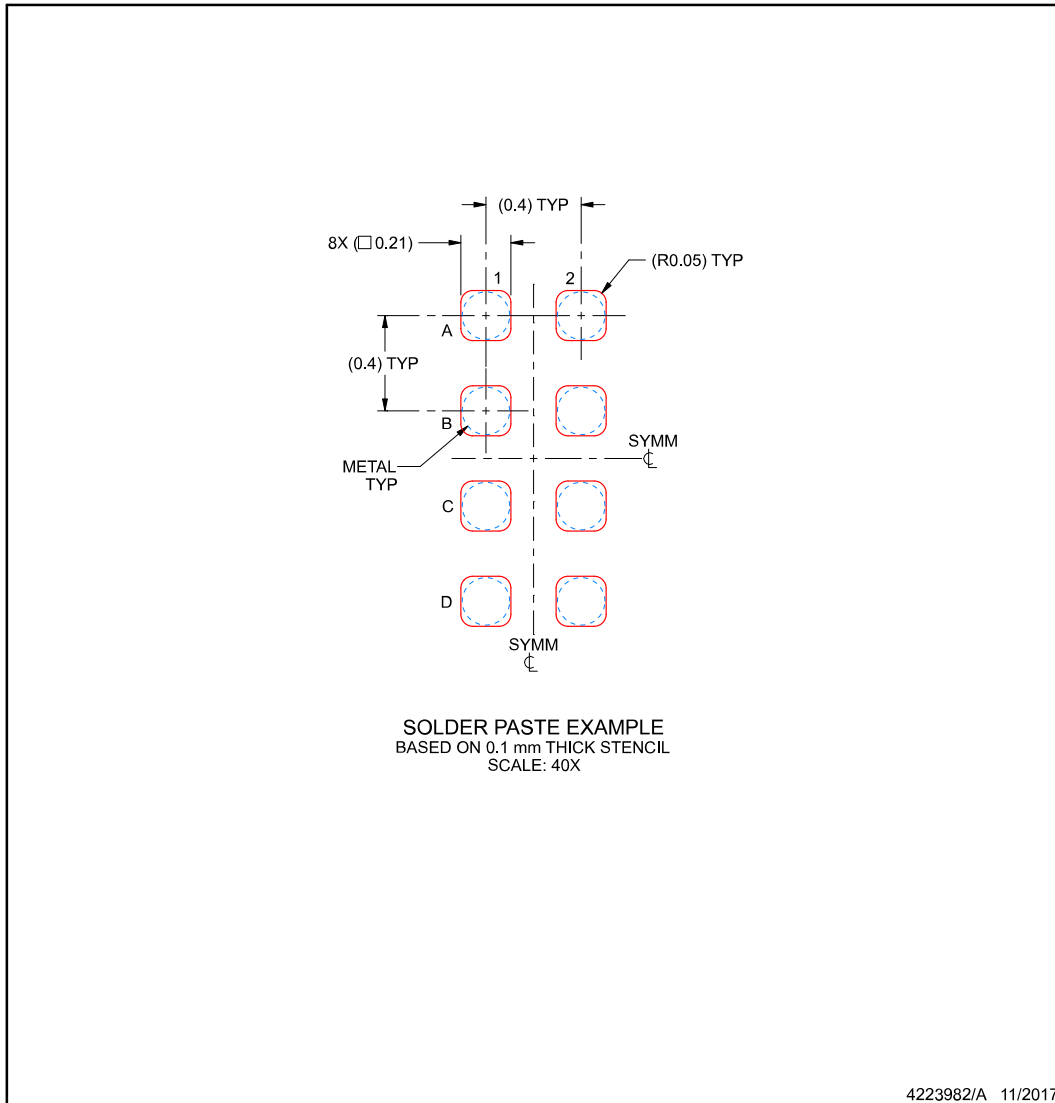
- Final dimensions may vary due to manufacturing tolerance considerations and also routing constraints. See Texas Instruments Literature No. SNVA009 ([www.ti.com/lit/snva009](http://www.ti.com/lit/snva009)).

**EXAMPLE STENCIL DESIGN**

**YBJ0008**

**DSBGA - 0.35 mm max height**

DIE SIZE BALL GRID ARRAY



NOTES: (continued)

- 4. Laser cutting apertures with trapezoidal walls and rounded corners may offer better paste release.

**PACKAGING INFORMATION**

Orderable Device	Status (1)	Package Type	Package Drawing	Pins	Package Qty	Eco Plan (2)	Lead finish/ Ball material (6)	MSL Peak Temp (3)	Op Temp (°C)	Device Marking (4/5)	Samples
INA236AIDDFR	ACTIVE	SOT-23-THIN	DDF	8	3000	RoHS & Green	NIPDAU	Level-1-260C-UNLIM	-40 to 125	2QRF	<a href="#">Samples</a>
INA236AIYBJR	ACTIVE	DSBGA	YBJ	8	3000	RoHS & Green	SNAGCU	Level-1-260C-UNLIM	-40 to 125	1KZ	<a href="#">Samples</a>
INA236BIDDFR	ACTIVE	SOT-23-THIN	DDF	8	3000	RoHS & Green	NIPDAU	Level-1-260C-UNLIM	-40 to 125	31BF	<a href="#">Samples</a>
INA236BIYBJR	ACTIVE	DSBGA	YBJ	8	3000	RoHS & Green	SNAGCU	Level-1-260C-UNLIM	-40 to 125	1O4	<a href="#">Samples</a>

(1) The marketing status values are defined as follows:

**ACTIVE:** Product device recommended for new designs.

**LIFEBUY:** TI has announced that the device will be discontinued, and a lifetime-buy period is in effect.

**NRND:** Not recommended for new designs. Device is in production to support existing customers, but TI does not recommend using this part in a new design.

**PREVIEW:** Device has been announced but is not in production. Samples may or may not be available.

**OBSELETE:** TI has discontinued the production of the device.

(2) **RoHS:** TI defines "RoHS" to mean semiconductor products that are compliant with the current EU RoHS requirements for all 10 RoHS substances, including the requirement that RoHS substance do not exceed 0.1% by weight in homogeneous materials. Where designed to be soldered at high temperatures, "RoHS" products are suitable for use in specified lead-free processes. TI may reference these types of products as "Pb-Free".

**RoHS Exempt:** TI defines "RoHS Exempt" to mean products that contain lead but are compliant with EU RoHS pursuant to a specific EU RoHS exemption.

**Green:** TI defines "Green" to mean the content of Chlorine (Cl) and Bromine (Br) based flame retardants meet JS709B low halogen requirements of <=1000ppm threshold. Antimony trioxide based flame retardants must also meet the <=1000ppm threshold requirement.

(3) MSL, Peak Temp. - The Moisture Sensitivity Level rating according to the JEDEC industry standard classifications, and peak solder temperature.

(4) There may be additional marking, which relates to the logo, the lot trace code information, or the environmental category on the device.

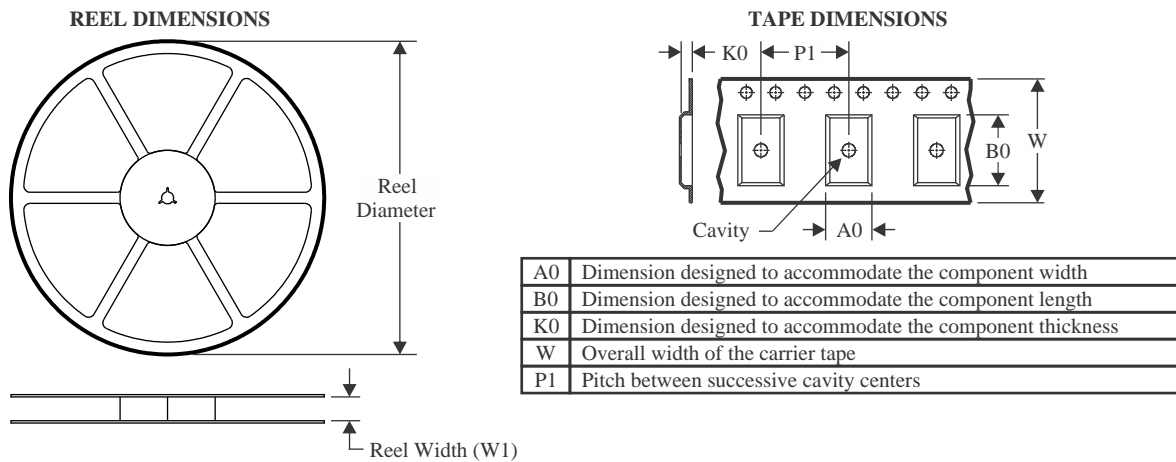
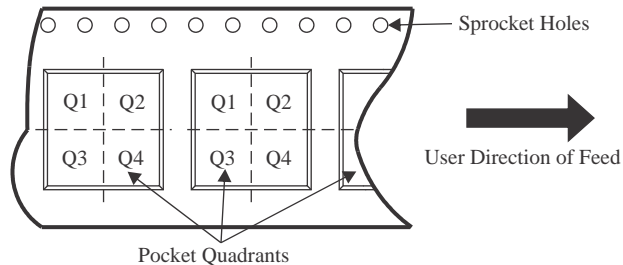
(5) Multiple Device Markings will be inside parentheses. Only one Device Marking contained in parentheses and separated by a "-" will appear on a device. If a line is indented then it is a continuation of the previous line and the two combined represent the entire Device Marking for that device.

(6) Lead finish/Ball material - Orderable Devices may have multiple material finish options. Finish options are separated by a vertical ruled line. Lead finish/Ball material values may wrap to two lines if the finish value exceeds the maximum column width.

**Important Information and Disclaimer:**The information provided on this page represents TI's knowledge and belief as of the date that it is provided. TI bases its knowledge and belief on information provided by third parties, and makes no representation or warranty as to the accuracy of such information. Efforts are underway to better integrate information from third parties. TI has taken and

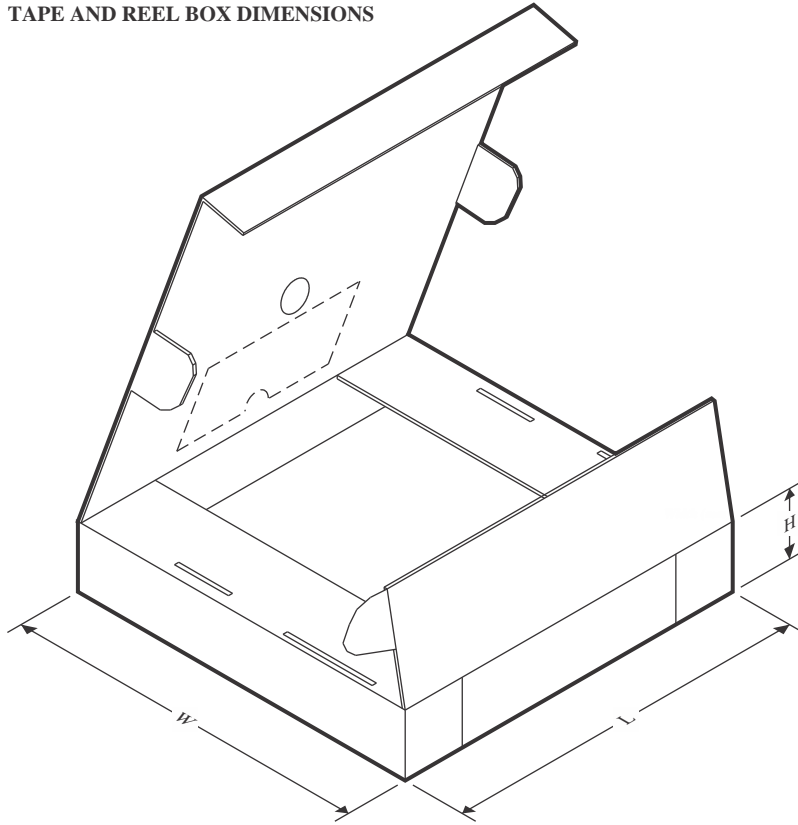
continues to take reasonable steps to provide representative and accurate information but may not have conducted destructive testing or chemical analysis on incoming materials and chemicals. TI and TI suppliers consider certain information to be proprietary, and thus CAS numbers and other limited information may not be available for release.

In no event shall TI's liability arising out of such information exceed the total purchase price of the TI part(s) at issue in this document sold by TI to Customer on an annual basis.

**TAPE AND REEL INFORMATION**

**QUADRANT ASSIGNMENTS FOR PIN 1 ORIENTATION IN TAPE**


\*All dimensions are nominal

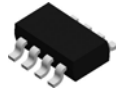
Device	Package Type	Package Drawing	Pins	SPQ	Reel Diameter (mm)	Reel Width W1 (mm)	A0 (mm)	B0 (mm)	K0 (mm)	P1 (mm)	W (mm)	Pin1 Quadrant
INA236AIDDFR	SOT-23-THIN	DDF	8	3000	180.0	8.4	3.2	3.2	1.4	4.0	8.0	Q3
INA236AIYBJR	DSBGA	YBJ	8	3000	180.0	8.4	0.84	1.62	0.43	2.0	8.0	Q1
INA236AIYBJR	DSBGA	YBJ	8	3000	180.0	8.4	0.84	1.62	0.43	2.0	8.0	Q1
INA236BIDDFR	SOT-23-THIN	DDF	8	3000	180.0	8.4	3.2	3.2	1.4	4.0	8.0	Q3
INA236BIYBJR	DSBGA	YBJ	8	3000	180.0	8.4	0.84	1.62	0.43	2.0	8.0	Q1
INA236BIYBJR	DSBGA	YBJ	8	3000	180.0	8.4	0.84	1.62	0.43	2.0	8.0	Q1

**TAPE AND REEL BOX DIMENSIONS**


\*All dimensions are nominal

Device	Package Type	Package Drawing	Pins	SPQ	Length (mm)	Width (mm)	Height (mm)
INA236AIDDFR	SOT-23-THIN	DDF	8	3000	210.0	185.0	35.0
INA236AIYBJR	DSBGA	YBJ	8	3000	182.0	182.0	20.0
INA236AIYBJR	DSBGA	YBJ	8	3000	182.0	182.0	20.0
INA236BIDDFR	SOT-23-THIN	DDF	8	3000	210.0	185.0	35.0
INA236BIYBJR	DSBGA	YBJ	8	3000	182.0	182.0	20.0
INA236BIYBJR	DSBGA	YBJ	8	3000	182.0	182.0	20.0

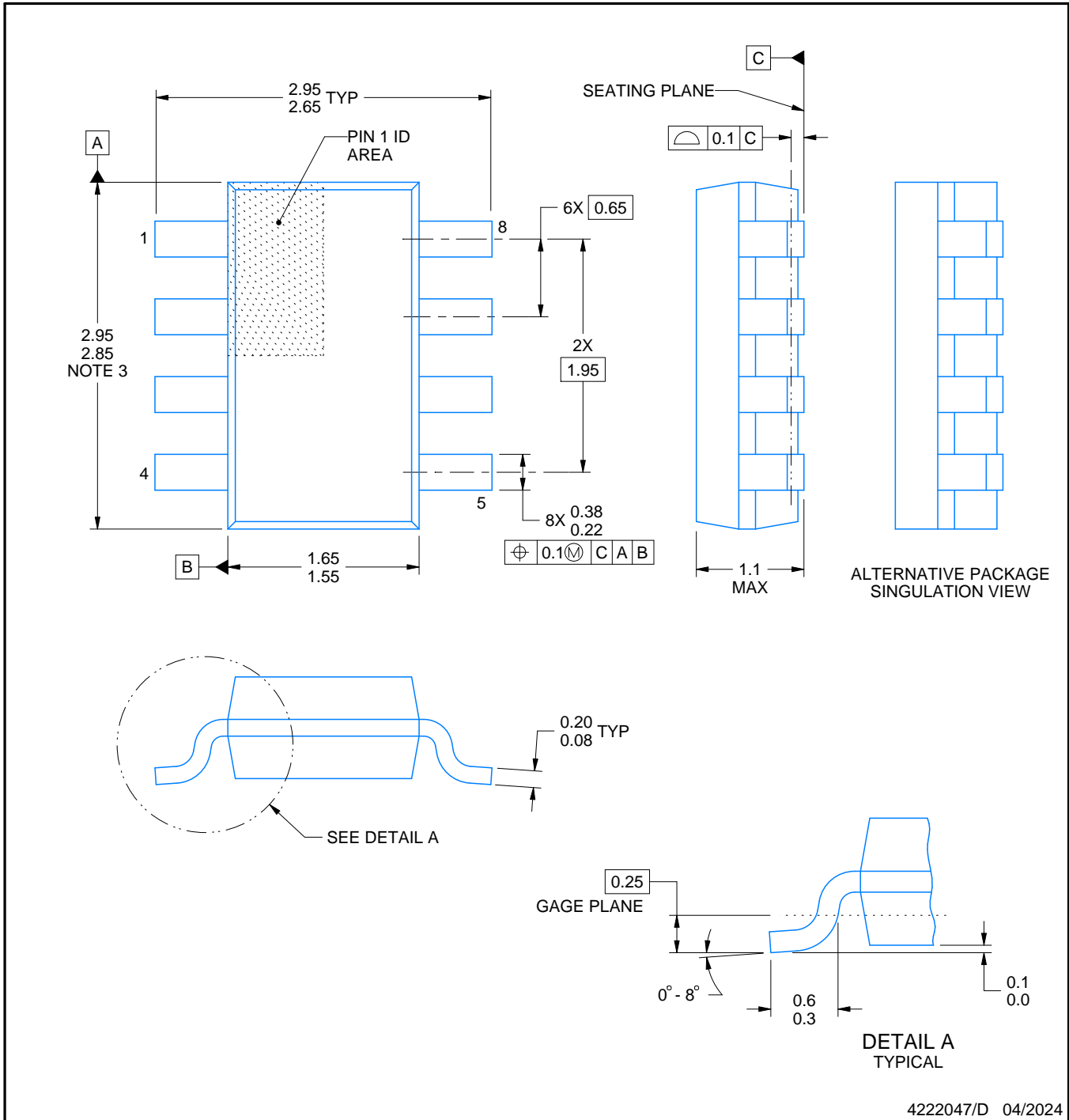
# DDF0008A



# PACKAGE OUTLINE

## SOT-23 - 1.1 mm max height

PLASTIC SMALL OUTLINE



**NOTES:**

1. All linear dimensions are in millimeters. Any dimensions in parenthesis are for reference only. Dimensioning and tolerancing per ASME Y14.5M.
2. This drawing is subject to change without notice.
3. This dimension does not include mold flash, protrusions, or gate burrs. Mold flash, protrusions, or gate burrs shall not exceed 0.15 mm per side.

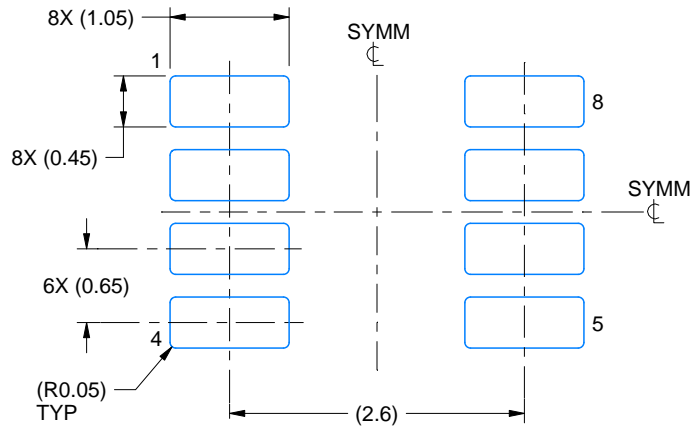
4222047/D 04/2024

# EXAMPLE BOARD LAYOUT

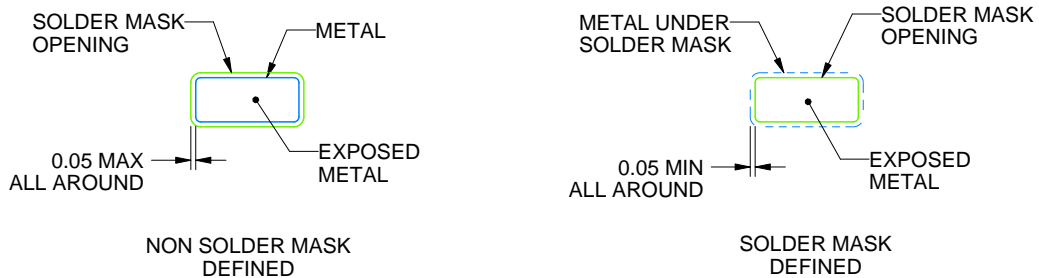
DDF0008A

SOT-23 - 1.1 mm max height

PLASTIC SMALL OUTLINE



LAND PATTERN EXAMPLE  
EXPOSED METAL SHOWN  
SCALE:15X



SOLDER MASK DETAILS

4222047/D 04/2024

NOTES: (continued)

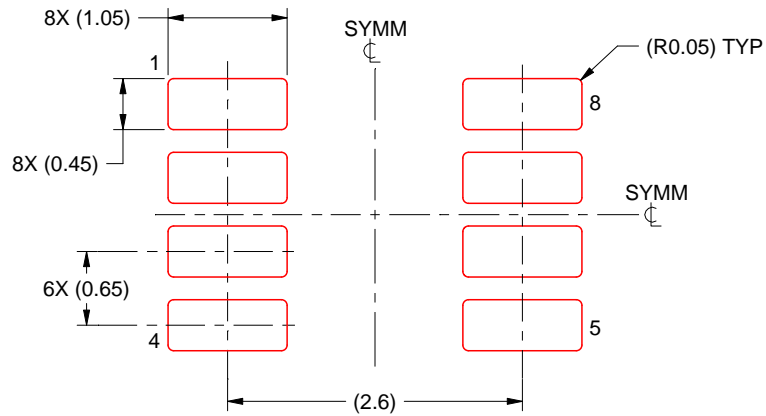
4. Publication IPC-7351 may have alternate designs.
5. Solder mask tolerances between and around signal pads can vary based on board fabrication site.

# EXAMPLE STENCIL DESIGN

DDF0008A

SOT-23 - 1.1 mm max height

PLASTIC SMALL OUTLINE



SOLDER PASTE EXAMPLE  
BASED ON 0.125 mm THICK STENCIL  
SCALE:15X

4222047/D 04/2024

NOTES: (continued)

6. Laser cutting apertures with trapezoidal walls and rounded corners may offer better paste release. IPC-7525 may have alternate design recommendations.
7. Board assembly site may have different recommendations for stencil design.

## IMPORTANT NOTICE AND DISCLAIMER

TI PROVIDES TECHNICAL AND RELIABILITY DATA (INCLUDING DATA SHEETS), DESIGN RESOURCES (INCLUDING REFERENCE DESIGNS), APPLICATION OR OTHER DESIGN ADVICE, WEB TOOLS, SAFETY INFORMATION, AND OTHER RESOURCES "AS IS" AND WITH ALL FAULTS, AND DISCLAIMS ALL WARRANTIES, EXPRESS AND IMPLIED, INCLUDING WITHOUT LIMITATION ANY IMPLIED WARRANTIES OF MERCHANTABILITY, FITNESS FOR A PARTICULAR PURPOSE OR NON-INFRINGEMENT OF THIRD PARTY INTELLECTUAL PROPERTY RIGHTS.

These resources are intended for skilled developers designing with TI products. You are solely responsible for (1) selecting the appropriate TI products for your application, (2) designing, validating and testing your application, and (3) ensuring your application meets applicable standards, and any other safety, security, regulatory or other requirements.

These resources are subject to change without notice. TI grants you permission to use these resources only for development of an application that uses the TI products described in the resource. Other reproduction and display of these resources is prohibited. No license is granted to any other TI intellectual property right or to any third party intellectual property right. TI disclaims responsibility for, and you will fully indemnify TI and its representatives against, any claims, damages, costs, losses, and liabilities arising out of your use of these resources.

TI's products are provided subject to [TI's Terms of Sale](#) or other applicable terms available either on [ti.com](https://www.ti.com) or provided in conjunction with such TI products. TI's provision of these resources does not expand or otherwise alter TI's applicable warranties or warranty disclaimers for TI products.

TI objects to and rejects any additional or different terms you may have proposed.

Mailing Address: Texas Instruments, Post Office Box 655303, Dallas, Texas 75265  
Copyright © 2024, Texas Instruments Incorporated

## Looking for pricing, stock, or lifecycle information?

Click below to explore more details on WIN SOURCE:

 [View INA236AIDDFR](#) on WIN SOURCE

 [Texas Instruments](#) Information

## Optimize Your Supply Chain with WIN SOURCE Solutions

-  Global Sourcing Solution
-  Obsolete Management
-  Cost Control Management
-  Shortage Management
-  Alternative Solution
-  Excess Inventory Management