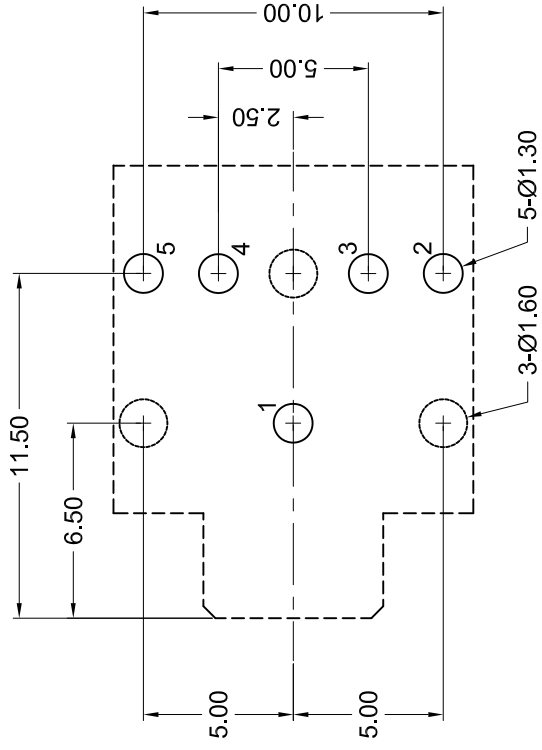
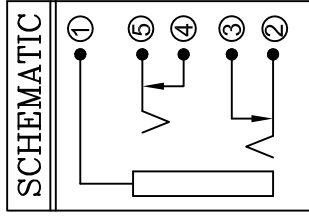
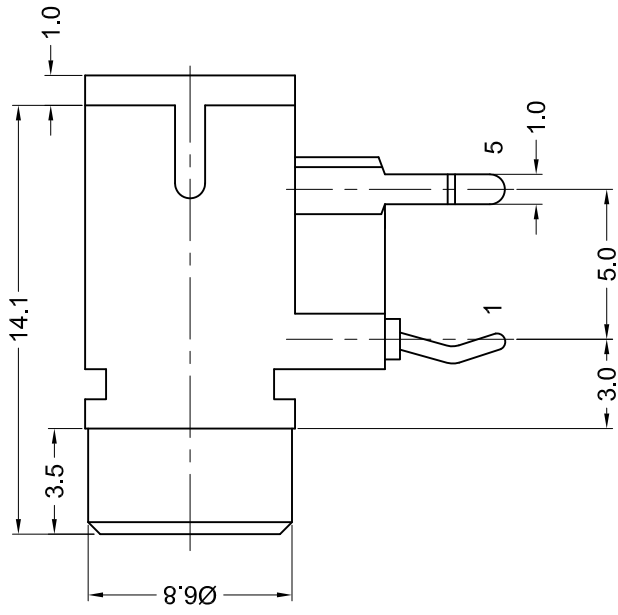
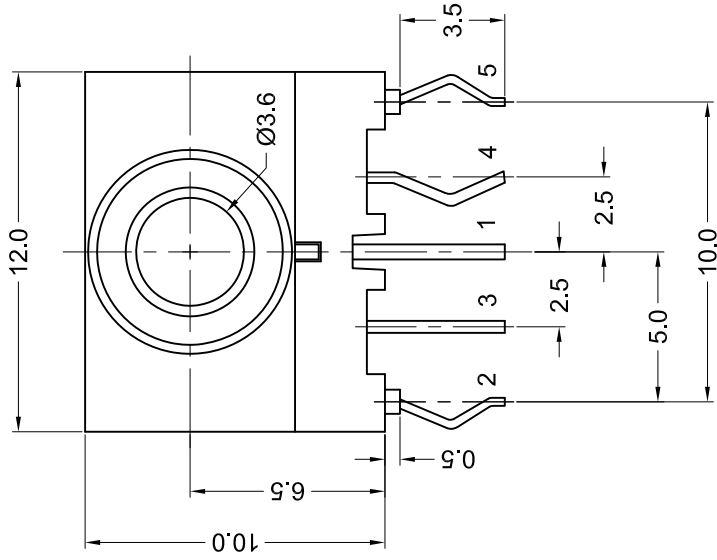




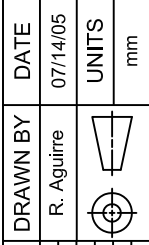
**THE DATASHEET OF
STX-3120-5B-701C**





Recommended PCB Layout
(Bottom View)

REV.	DATE	DESCRIPTION	REV. BY	CHK. BY	DRAWN BY	DATE
A0	9/22/05	New Drawing	R. Aguirre	H. MA	R. Aguirre	07/14/05
A1	6/2/06	Release Drawing	H. MA	N/A		
B1	08/12/09	ECO #09-039	S. Vien	H. MA		
B2	11/11/10	ECO #10-078	S. Vien	H. MA		
B3	05/25/11	ECO #11-036	S. Vien	H. MA		
B4	04/28/15	ECO #15-023	W. Cook	H. MA		



UNITS
mm

STX-3120-5B-701C

Stereo Jack, 5 Position, RoHS
Meets PC99 Spec, P1



Looking for pricing, stock, or lifecycle information?

Click below to explore more details on WIN SOURCE:

 [View STX-3120-5B-701C on WIN SOURCE](#)

 [Kycon, Inc. Information](#)

Optimize Your Supply Chain with WIN SOURCE Solutions

-  Global Sourcing Solution
-  Obsolete Management
-  Cost Control Management
-  Shortage Management
-  Alternative Solution
-  Excess Inventory Management