



3-Pin, Ultra-Low-Power SC70/SOT23 Voltage Detectors

General Description

The MAX6375–MAX6380 are ultra-low-power circuits used for monitoring battery, power-supply, and regulated system voltages. Each detector contains a precision bandgap reference, comparator, and internally trimmed resistors that set specified trip threshold voltages. These devices provide excellent circuit reliability and low cost by eliminating external components and adjustments when monitoring nominal system voltages from 2.5V to 5V.

These circuits perform a single function: they assert an output signal whenever the V_{CC} supply voltage falls below a preset threshold. The devices are differentiated by their output logic configurations and preset threshold voltages. The MAX6375/MAX6378 (push-pull) and MAX6377/MAX6380 (open-drain) have an active-low output (\overline{OUT} is logic low when V_{CC} is below V_{TH}). The MAX6376/MAX6379 have an active-high push-pull output (OUT is logic high when V_{CC} is below V_{TH}). All parts are guaranteed to be in the correct output logic state for V_{CC} down to 1V. The detector is designed to ignore fast transients on V_{CC} . The MAX6375/MAX6376/MAX6377 have voltage thresholds between 2.20V and 3.08V in approximately 100mV increments. The MAX6378/MAX6379/MAX6380 have voltage thresholds between 3.30V and 4.63V in approximately 100mV increments.

Ultra-low supply current of 500nA (MAX6375/MAX6376/MAX6377) makes these parts ideal for use in portable equipment. All six devices are available in a space-saving SC70 package or in a tiny SOT23 package.

Applications

Precision Battery Monitoring
Load Switching/Power Sequencing
Power-Supply Monitoring in Digital/Analog Systems
Portable/Battery-Powered Equipment

Selector Guide appears at end of data sheet.

Features

- ◆ Ultra-Low 500nA Supply Current (MAX6375/MAX6376/MAX6377)
- ◆ Thresholds Available from 2.20V to 4.63V in Approximately 100mV Increments
- ◆ $\pm 2.5\%$ Threshold Accuracy Over Temperature
- ◆ Low Cost
- ◆ Available in Three Versions: Push-Pull \overline{OUT} , Push-Pull OUT , and Open-Drain \overline{OUT}
- ◆ Power-Supply Transient Immunity
- ◆ No External Components
- ◆ Available in Either a 3-Pin SC70 or 3-Pin SOT23 Package

Ordering Information

| PART* | TEMP RANGE | PIN-PACKAGE |
|-----------------|----------------|-------------|
| MAX6375UR __ -T | -40°C to +85°C | 3 SOT23-3 |
| MAX6375XR __ -T | -40°C to +85°C | 3 SC70-3 |
| MAX6376UR __ -T | -40°C to +85°C | 3 SOT23-3 |
| MAX6376XR __ -T | -40°C to +85°C | 3 SC70-3 |

* The MAX6375/MAX6376/MAX6377 are available in factory-preset thresholds from 2.20V to 3.08V, in approximately 0.1V increments. The MAX6378/MAX6379/MAX6380 are available in factory-preset thresholds from 3.30V to 4.63V, in approximately 0.1V increments. Choose the desired threshold suffix from Table 1 and insert it in the blank spaces following R. There are 21 standard versions, with a required order increment of 2500 pieces. Sample stock is generally held on the standard versions only (see the Selector Guide). The required order increment is 10,000 pieces for non-standard versions (Table 2). Contact factory for availability. All devices available in tape-and-reel only. Devices are available in both leaded and lead-free packaging. Specify lead-free by replacing “-T” with “+T” when ordering.

Ordering information continued at end of data sheet

Pin Configuration



3-Pin, Ultra-Low-Power SC70/SOT23 Voltage Detectors

ABSOLUTE MAXIMUM RATINGS

Terminal Voltage (with respect to GND)

| | |
|---|-----------------------------------|
| V _{CC} | -0.3V to +6V |
| OUT, $\overline{\text{OUT}}$ (push-pull) | -0.3V to (V _{CC} + 0.3V) |
| $\overline{\text{OUT}}$ (open-drain) | -0.3V to +6V |
| Input Current (V _{CC})..... | 20mA |
| Output Current (OUT, $\overline{\text{OUT}}$)..... | 20mA |

Continuous Power Dissipation (T_A = +70°C)

| | |
|--|-----------------|
| 3-Pin SC70 (derate 2.17mW/°C above +70°C)..... | 174mW |
| 3-Pin SOT23 (derate 4mW/°C above +70°C)..... | 320mW |
| Operating Temperature Range | -40°C to +85°C |
| Storage Temperature Range | -65°C to +150°C |
| Junction Temperature..... | +150°C |
| Lead Temperature (soldering, 10s)..... | +300°C |

Stresses beyond those listed under "Absolute Maximum Ratings" may cause permanent damage to the device. These are stress ratings only, and functional operation of the device at these or any other conditions beyond those indicated in the operational sections of the specifications is not implied. Exposure to absolute maximum rating conditions for extended periods may affect device reliability.

ELECTRICAL CHARACTERISTICS

(V_{CC} = full range, T_A = -40°C to +85°C, unless otherwise noted. Typical values are at T_A = +25°C and V_{CC} = 3V.) (Note 1)

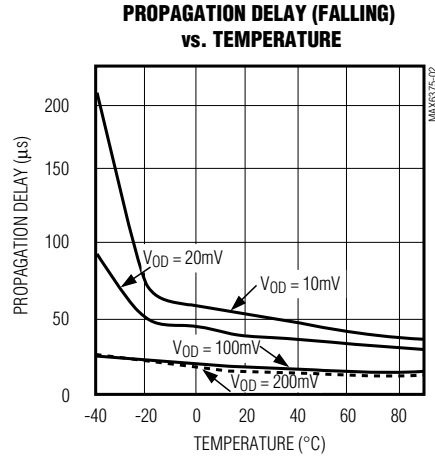
| PARAMETER | SYMBOL | CONDITIONS | MIN | TYP | MAX | UNITS |
|--|----------------------|---|---------------------------------|---|------|--------|
| V _{CC} Operating Range | | T _A = 0°C to +70°C | 1.0 | | 5.5 | V |
| | | T _A = -40°C to +85°C | 1.2 | | 5.5 | |
| Supply Current | I _{CC} | MAX6375/76/77 only, V _{CC} = 3.0V for V _{TH} ≤ 2.93V, V _{CC} = 3.2V for V _{TH} > 2.93V, no load | | 0.5 | 1.0 | μA |
| | | V _{CC} = 5.5V, no load | | 1.0 | 1.75 | |
| Voltage Threshold | V _{TH} | Table 1 | T _A = +25°C | V _{TH} - 1.5% V _{TH} V _{TH} + 1.5% | | V |
| | | | T _A = -40°C to +85°C | V _{TH} - 2.5% V _{TH} V _{TH} + 2.5% | | |
| Voltage Threshold Tempco | ΔV _{TH} /°C | | | 40 | | ppm/°C |
| Propagation Delay | | V _{CC} = (V _{TH} + 100mV) to (V _{TH} - 100mV) | | 20 | | μs |
| | | V _{CC} = (V _{TH} - 100mV) to (V _{TH} + 100mV) | | 42 | | |
| $\overline{\text{OUT}}$ Output Voltage (MAX6375/MAX6377/MAX6378/MAX6380) | V _{OL} | I _{SINK} = 1.6mA, V _{CC} > 2.1V, $\overline{\text{OUT}}$ asserted | | | 0.3 | V |
| | | I _{SINK} = 100μA, V _{CC} ≥ 1.2V, $\overline{\text{OUT}}$ asserted | | | 0.4 | |
| $\overline{\text{OUT}}$ Output Voltage (MAX6375/MAX6377) | V _{OH} | I _{SOURCE} = 500μA, V _{CC} = 3.2V, MAX6375 only | 0.8 × V _{CC} | | | V |
| | | I _{SOURCE} = 800μA, V _{CC} = 4.5V, V _{TH} ≤ 4.38V | 0.8 × V _{CC} | | | |
| | | I _{SOURCE} = 800μA, V _{CC} = V _{TH(MAX)} , V _{TH} ≥ 4.5V | 0.8 × V _{CC} | | | |
| OUT Output Voltage (MAX6376/MAX6379) | V _{OH} | I _{SOURCE} = 500μA, V _{CC} ≥ 2.1V, OUT asserted | 0.8 × V _{CC} | | | V |
| | | I _{SOURCE} = 50μA, V _{CC} ≥ 1.2V, OUT asserted | 0.8 × V _{CC} | | | |
| | V _{OL} | I _{SINK} = 1.2mA, V _{CC} ≥ 3.2V, OUT not asserted, MAX6376 only | | | 0.3 | |
| | | I _{SINK} = 3.2mA, V _{CC} ≥ 4.5V, OUT not asserted, V _{TH} ≤ 4.38V | | | 0.4 | |
| | | I _{SINK} = 3.2mA, V _{CC} = V _{TH(MAX)} , V _{TH} ≥ 4.5V | | | 0.4 | |
| Voltage Threshold Hysteresis | | MAX6375/MAX6376/MAX6377 | 6.3 | | | mV |
| | | MAX6378/MAX6379/MAX6380 | 9.5 | | | |
| Open-Drain $\overline{\text{OUT}}$ Output Leakage Current | | | | | 0.1 | μA |

Note 1: Production tested at +25°C only. Overtemperature limits are guaranteed by design, not production tested.

3-Pin, Ultra-Low-Power SC70/SOT23 Voltage Detectors

Typical Operating Characteristics

($V_{CC} = 5V$, $T_A = +25^\circ C$, unless otherwise noted.)



Pin Description

| PIN | | | | NAME | FUNCTION |
|-------------------------------------|-----------------|--------|---------|------------------|--|
| MAX6375/MAX6377/ MAX6378/MAX6380 | MAX6376/MAX6379 | | | | |
| SC70-3 | SOT23-3 | SC70-3 | SOT23-3 | | |
| 1 | 2 | 1 | 2 | GND | Ground |
| 2 | 1 | — | — | \overline{OUT} | Active-Low Output. \overline{OUT} remains low while V_{CC} is below the threshold. \overline{OUT} is open-drain on the MAX6377/MAX6380 and push-pull on the MAX6375/MAX6378. |
| — | — | 2 | 1 | OUT | Active-High Output. OUT remains high while V_{CC} is below the threshold. |
| 3 | 3 | 3 | 3 | V_{CC} | Supply Voltage |

MAX6375-MAX6380

3-Pin, Ultra-Low-Power SC70/SOT23 Voltage Detectors

Applications Information

Interfacing to Different Logic Voltage Components

The MAX6377/MAX6380 have an active-low, open-drain output. This output structure sinks current when $\overline{\text{OUT}}$ is asserted. Connect a pullup resistor from $\overline{\text{OUT}}$ to any supply voltage up to 5.50V (Figure 1). Select a resistor value large enough to allow a valid logic low (see *Electrical Characteristics*), and small enough to register a logic high while supplying all input current and leakage paths connected to the $\overline{\text{OUT}}$ line.

Negative-Going Vcc Transients

These devices are relatively immune to short-duration, negative-going VCC transients (glitches). The *Typical Operating Characteristics* show the Maximum Transient Duration vs. Threshold Overdrive graph, for which output pulses are not generated. The graph shows the maximum pulse width that a negative-going VCC transient may typically have before the devices issue output signals. As the amplitude of the transient increases, the maximum-allowable pulse width decreases.



Figure 1. Interfacing to Different Logic Voltage Components

Table 1. Factory-Trimmed Reset Thresholds‡

| PART | SUFFIX | RESET THRESHOLD VOLTAGE, V_{TH} (V) | | | | |
|-----------|--------|---------------------------------------|-------|-------|---|-------|
| | | $T_A = +25^\circ\text{C}$ | | | $T_A = -40^\circ\text{C TO } +85^\circ\text{C}$ | |
| | | MIN | TYP | MAX | MIN | MAX |
| MAX6375_R | 22 | 2.167 | 2.200 | 2.233 | 2.145 | 2.250 |
| | 23 | 2.285 | 2.320 | 2.355 | 2.262 | 2.375 |
| | 24 | 2.364 | 2.400 | 2.436 | 2.340 | 2.460 |
| MAX6376_R | 25 | 2.462 | 2.500 | 2.537 | 2.437 | 2.562 |
| | 26 | 2.591 | 2.630 | 2.669 | 2.564 | 2.696 |
| MAX6377_R | 27 | 2.660 | 2.700 | 2.741 | 2.633 | 2.768 |
| | 28 | 2.758 | 2.800 | 2.842 | 2.730 | 2.870 |
| | 29 | 2.886 | 2.930 | 2.974 | 2.857 | 3.000 |
| | 30 | 2.955 | 3.000 | 3.045 | 2.925 | 3.075 |
| | 31 | 3.034 | 3.080 | 3.126 | 3.003 | 3.150 |

‡Factory-trimmed reset thresholds are available in approximately 100mV increments with a 1.5% room-temperature variance.

3-Pin, Ultra-Low-Power SC70/SOT23 Voltage Detectors

MAX6375-MAX6380

Table 1. Factory-Trimmed Reset Thresholds‡ (continued)

| PART | SUFFIX | RESET THRESHOLD VOLTAGE, V _{TH} (V) | | | | |
|-----------|--------|--|-------|-------|---------------------------------|-------|
| | | T _A = +25°C | | | T _A = -40°C TO +85°C | |
| | | MIN | TYP | MAX | MIN | MAX |
| MAX6378_R | 33 | 3.250 | 3.300 | 3.350 | 3.217 | 3.383 |
| | 34 | 3.349 | 3.400 | 3.451 | 3.315 | 3.485 |
| | 35 | 3.447 | 3.500 | 3.552 | 3.412 | 3.587 |
| | 36 | 3.546 | 3.600 | 3.654 | 3.510 | 3.690 |
| | 37 | 3.644 | 3.700 | 3.755 | 3.607 | 3.792 |
| MAX6379_R | 38 | 3.743 | 3.800 | 3.857 | 3.705 | 3.895 |
| | 39 | 3.841 | 3.900 | 3.958 | 3.802 | 3.997 |
| MAX6380_R | 40 | 3.940 | 4.000 | 4.060 | 3.900 | 4.100 |
| | 41 | 4.038 | 4.100 | 4.161 | 3.997 | 4.202 |
| | 42 | 4.137 | 4.200 | 4.263 | 4.095 | 4.305 |
| | 43 | 4.235 | 4.300 | 4.364 | 4.192 | 4.407 |
| | 44 | 4.314 | 4.380 | 4.446 | 4.270 | 4.489 |
| | 45 | 4.432 | 4.500 | 4.567 | 4.387 | 4.612 |
| | 46 | 4.560 | 4.630 | 4.699 | 4.514 | 4.746 |

‡Factory-trimmed reset thresholds are available in approximately 100mV increments with a 1.5% room-temperature variance.

Table 2. Device Marking Codes and Minimum Order Increments

| PART | TOP MARK (SC70) | TOP MARK (SOT23) | ORDER INCREMENT (k) |
|---------------|-----------------|------------------|---------------------|
| MAX6375_R22-T | ADH | FZHD | 2.5 |
| MAX6375_R23-T | ADI | FZHE | 2.5 |
| MAX6375_R24-T | — | — | 10 |
| MAX6375_R25-T | — | — | 10 |
| MAX6375_R26-T | ACZ | FZHC | 2.5 |
| MAX6375_R27-T | — | — | 10 |
| MAX6375_R28-T | — | — | 10 |
| MAX6375_R29-T | ADJ | FZHF | 2.5 |
| MAX6375_R30-T | — | — | 10 |
| MAX6375_R31-T | ADK | FZHG | 2.5 |
| MAX6376_R22-T | ADL | FZHH | 2.5 |
| MAX6376_R23-T | ADM | FZHI | 2.5 |
| MAX6376_R24-T | — | — | 10 |
| MAX6376_R25-T | — | — | 10 |
| MAX6376_R26-T | ADN | FZHJ | 2.5 |
| MAX6376_R27-T | — | — | 10 |
| MAX6376_R28-T | — | — | 10 |
| MAX6376_R29-T | ADA | FZHK | 2.5 |

| PART | TOP MARK (SC70) | TOP MARK (SOT23) | ORDER INCREMENT (k) |
|---------------|-----------------|------------------|---------------------|
| MAX6376_R30-T | — | — | 10 |
| MAX6376_R31-T | ADO | FZHL | 2.5 |
| MAX6377_R22-T | ADP | FZHM | 2.5 |
| MAX6377_R23-T | ADB | FZHN | 2.5 |
| MAX6377_R24-T | — | — | 10 |
| MAX6377_R25-T | — | — | 10 |
| MAX6377_R26-T | ACQ | FZHO | 2.5 |
| MAX6377_R27-T | — | — | 10 |
| MAX6377_R28-T | — | — | 10 |
| MAX6377_R29-T | ADC | FZHP | 2.5 |
| MAX6377_R30-T | — | — | 10 |
| MAX6377_R31-T | ADR | FZHQ | 2.5 |
| MAX6378_R33-T | — | — | 10 |
| MAX6378_R34-T | — | — | 10 |
| MAX6378_R35-T | — | — | 10 |
| MAX6378_R36-T | — | — | 10 |
| MAX6378_R37-T | — | — | 10 |
| MAX6378_R38-T | — | — | 10 |

3-Pin, Ultra-Low-Power SC70/SOT23 Voltage Detectors

Table 2. Device Marking Codes and Minimum Order Increments (continued)

| PART | TOP MARK (SC70) | TOP MARK (SOT23) | ORDER INCREMENT (k) |
|---------------|-----------------|------------------|---------------------|
| MAX6378_R39-T | — | — | 10 |
| MAX6378_R40-T | — | — | 10 |
| MAX6378_R41-T | — | — | 10 |
| MAX6378_R42-T | — | — | 10 |
| MAX6378_R43-T | — | — | 10 |
| MAX6378_R44-T | ADS | FZHU | 2.5 |
| MAX6378_R45-T | — | — | 10 |
| MAX6378_R46-T | ADD | FZHV | 2.5 |
| MAX6379_R33-T | — | — | 10 |
| MAX6379_R34-T | — | — | 10 |
| MAX6379_R35-T | — | — | 10 |
| MAX6379_R36-T | — | — | 10 |
| MAX6379_R37-T | — | — | 10 |
| MAX6379_R38-T | — | — | 10 |
| MAX6379_R39-T | — | — | 10 |
| MAX6379_R40-T | — | — | 10 |
| MAX6379_R41-T | — | — | 10 |
| MAX6379_R42-T | — | — | 10 |

| PART | TOP MARK (SC70) | TOP MARK (SOT23) | ORDER INCREMENT (k) |
|---------------|-----------------|------------------|---------------------|
| MAX6379_R43-T | — | — | 10 |
| MAX6379_R44-T | ADE | FZHW | 2.5 |
| MAX6379_R45-T | — | — | 10 |
| MAX6379_R46-T | ADT | FZHX | 2.5 |
| MAX6380_R33-T | — | — | 10 |
| MAX6380_R34-T | — | — | 10 |
| MAX6380_R35-T | — | — | 10 |
| MAX6380_R36-T | — | — | 10 |
| MAX6380_R37-T | — | — | 10 |
| MAX6380_R38-T | — | — | 10 |
| MAX6380_R39-T | — | — | 10 |
| MAX6380_R40-T | — | — | 10 |
| MAX6380_R41-T | — | — | 10 |
| MAX6380_R42-T | — | — | 10 |
| MAX6380_R43-T | — | — | 10 |
| MAX6380_R44-T | ADU | FZHY | 2.5 |
| MAX6380_R45-T | — | — | 10 |
| MAX6380_R46-T | ADF | FZHZ | 2.5 |

Selector Guide (Standard Versions**)

| PART | NOMINAL V _{TH} (V) |
|------------------|-----------------------------|
| MAX63_ _ _ R46-T | 4.63 |
| MAX63_ _ _ R44-T | 4.38 |
| MAX63_ _ _ R31-T | 3.08 |
| MAX63_ _ _ R29-T | 2.93 |
| MAX63_ _ _ R26-T | 2.63 |
| MAX63_ _ _ R23-T | 2.32 |
| MAX63_ _ _ R22-T | 2.20 |

**Sample stock is generally held on all standard versions. Contact factory for availability of nonstandard versions.

Chip Information

TRANSISTOR COUNT: 419

Ordering Information (continued)

| PART* | TEMP RANGE | PIN-PACKAGE |
|------------------|----------------|-------------|
| MAX6377UR _ _ -T | -40°C to +85°C | 3 SOT23-3 |
| MAX6377XR _ _ -T | -40°C to +85°C | 3 SC70-3 |
| MAX6378UR _ _ -T | -40°C to +85°C | 3 SOT23-3 |
| MAX6378XR _ _ -T | -40°C to +85°C | 3 SC70-3 |
| MAX6379UR _ _ -T | -40°C to +85°C | 3 SOT23-3 |
| MAX6379XR _ _ -T | -40°C to +85°C | 3 SC70-3 |
| MAX6380UR _ _ -T | -40°C to +85°C | 3 SOT23-3 |
| MAX6380XR _ _ -T | -40°C to +85°C | 3 SC70-3 |

*The MAX6375/MAX6376/MAX6377 are available in factory-preset thresholds from 2.20V to 3.08V, in approximately 0.1V increments. The MAX6378/MAX6379/MAX6380 are available in factory-preset thresholds from 3.30V to 4.63V, in approximately 0.1V increments. Choose the desired threshold suffix from Table 1 and insert it in the blank spaces following R. There are 21 standard versions, with a required order increment of 2500 pieces. Sample stock is generally held on the standard versions only (see the Selector Guide). The required order increment is 10,000 pieces for non-standard versions (Table 2). Contact factory for availability. All devices available in tape-and-reel only. Devices are available in both leaded and lead-free packaging. Specify lead-free by replacing "-T" with "+T" when ordering.

3-Pin, Ultra-Low-Power SC70/SOT23 Voltage Detectors

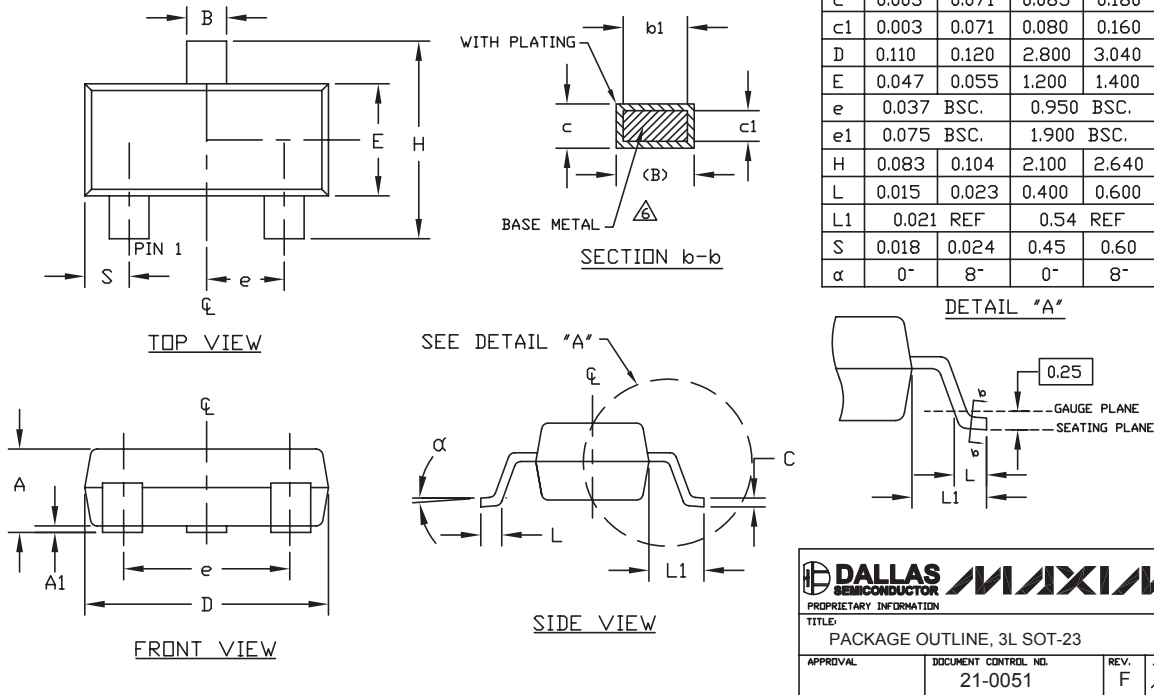
Package Information

(The package drawing(s) in this data sheet may not reflect the most current specifications. For the latest package outline information, go to www.maxim-ic.com/packages.)

MAX6375-MAX6380

NOTES:

1. D&E DO NOT INCLUDE MOLD FLASH.
 2. MOLD FLASH OR PROTRUSIONS NOT TO EXCEED .15mm (.006").
 3. CONTROLLING DIMENSION: MILLIMETERS.
 4. REFERENCE JEDEC TO236-VARIATION AB.
 5. LEADS TO BE COPLANAR WITHIN 0.10mm.
- △ DIMENSIONS MEASURED AT FLAT SECTION OF LEAD BETWEEN 0.08mm AND 0.15mm FROM LEAD TIP.



Maxim cannot assume responsibility for use of any circuitry other than circuitry entirely embodied in a Maxim product. No circuit patent licenses are implied. Maxim reserves the right to change the circuitry and specifications without notice at any time.

Maxim Integrated Products, 120 San Gabriel Drive, Sunnyvale, CA 94086 408-737-7600 7

Looking for pricing, stock, or lifecycle information?

Click below to explore more details on WIN SOURCE:

 [View MAX6377XR27 on WIN SOURCE](#)

 [Analog Devices Inc. Information](#)

Optimize Your Supply Chain with WIN SOURCE Solutions

-  Global Sourcing Solution
-  Obsolete Management
-  Cost Control Management
-  Shortage Management
-  Alternative Solution
-  Excess Inventory Management