



THE DATASHEET OF

C-ARA1-AK512

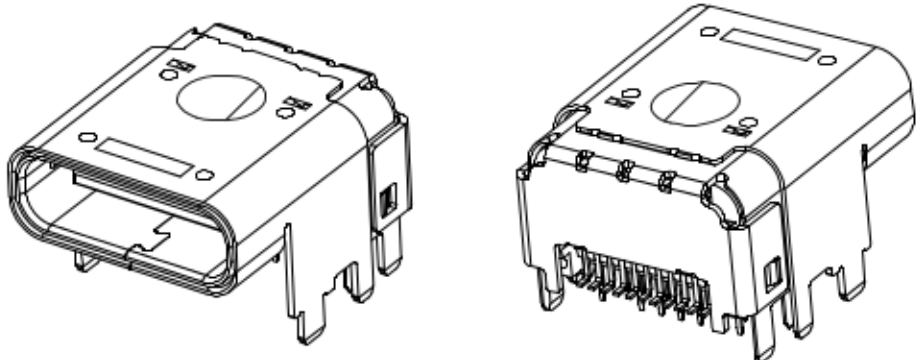
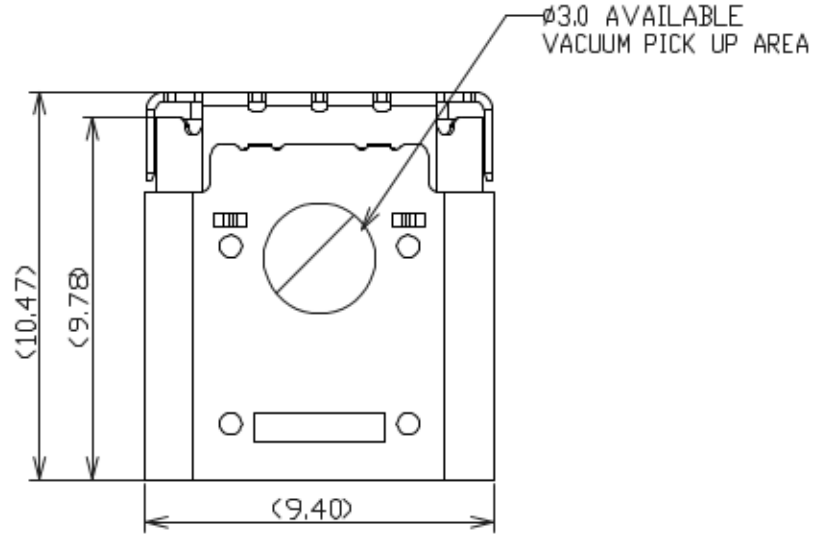
win-source.net



0086-755-83957316

HALOGEN FREE

REV.	EC#	DESCRIPTION	DATE	DRAWN	CHECKED	APPROVED
X2	SZECR14457	NEW RELEASE	8/09/18'	Alr.Chen	Alan.Tsal	



PRODUCT NUMBERING CODE
 C-ARA1 - A K X X X
 ① ② ③ ④ ⑤ ⑥

- CONNECTOR TYPE:
ARA1: USB TYPE-C FULL FEATURE CONN. RECEPTACLE - TOP MOUNT TYPE
- NO. OF POSITION:
A: 24 POSITIONS.
- COLOR OF INSULATOR:
K: BLACK.
- PLATING OF CONTACT:
1: GOLD FLASH ON CONTACT AREA,
5: Au 30u" PLATING ON CONTACT AREA
- PLATING OF FRONT SHELL
1: SOLDERING NICKEL

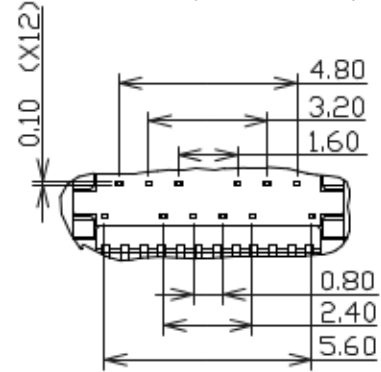
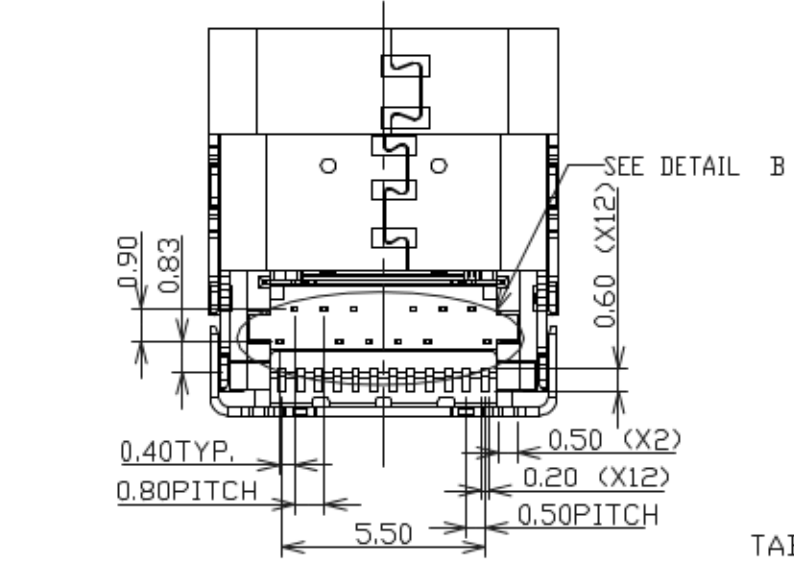
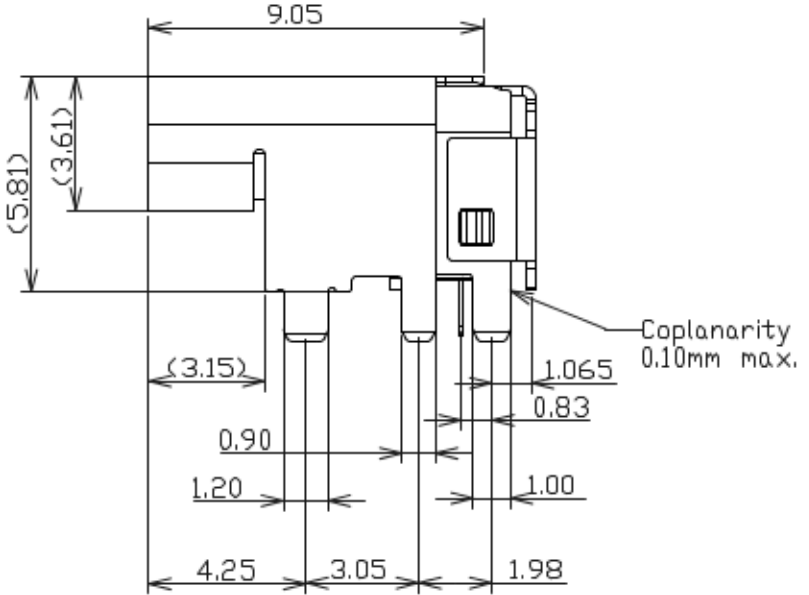
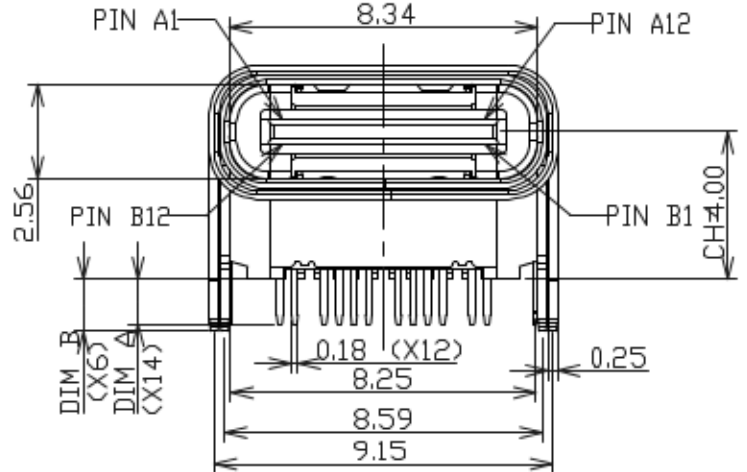


TABLE A:

PIN NO.	A1	A2	A3	A4	A5	A6	A7	A8	A9	A10	A11	A12
SIGNAL NAME	GND	SSTXp1	SSTXn1	VBUS	CC1	Dp1	Dn1	SBU1	VBUS	SSRXn2	SSRXp2	GND
PIN NO.	B12	B11	B10	B9	B8	B7	B6	B5	B4	B3	B2	B1
SIGNAL NAME	GND	SSRXp1	SSRXn1	VBUS	SBU2	Dn1	Dp1	CC2	VBUS	SSTXn2	SSTXp2	GND

PART NUMBER	DIM A	DIM B
C-ARA1-AK510	1.20mm	1.40mm
C-ARA1-AK511	1.60mm	1.80mm
C-ARA1-AK512	1.40mm	1.40mm
C-ARA1-AK515	1.20mm	1.80mm

ITEM	NAME	Q'TY	PART #	MATERIAL / FINISH
6	EMI RING	2	~	METAL / Ni PLATED
5	GROUND PLATE	1	~	METAL / NI PLATED
4	OUTER SHELL	1	~	METAL / NI PLATED
3	SHELL	1	~	METAL / NI PLATED
2	CONTACT	24	~	COPPER ALLOY / Au PLATED
1	HALF PRODUCT	3	~	HI-TEMP G.F., UL94V-0

ITEM	NAME	Q'TY	PART #	MATERIAL / FINISH
TOLERANCES UNLESS OTHERWISE SPECIFIED		DRAWN DATE		CnC Tech, LLC
GENERAL	X, .X, .XX, .XXX	±0.25, ±0.25, ±0.19, ±0.05	AVEN 08/09/18'	
ANGLES		X°, .X°, .XX°	±30°, ±20°, ±1.0°	TITLE USB TYPE- C FULL FEATURE CONN. RECPTACLE TOP MOUNT TYPE
SCALE	7:1	CHECKED DATE	ROGER 08/09/18'	
SHEET 1 OF 2		APPROVED DATE	ROGER 08/09/18'	SERIES C-ARA1-AK5XX
UNIT	MM			
				SIZE A3
				REV. X2
				DWG NO. C-ARA1-00-03

Looking for pricing, stock, or lifecycle information?

Click below to explore more details on WIN SOURCE:

- [View C-ARA1-AK512 on WIN SOURCE](#)
- [CNC Tech Information](#)

Optimize Your Supply Chain with WIN SOURCE Solutions

- ✓ Global Sourcing Solution
- ✓ Obsolete Management
- ✓ Cost Control Management
- ✓ Shortage Management
- ✓ Alternative Solution
- ✓ Excess Inventory Management