



**THE DATASHEET OF
AD5334BRU**





2.5 V to 5.5 V, 500 μ A, Parallel Interface Quad Voltage-Output 8-/10-/12-Bit DACs

AD5334/AD5335/AD5336/AD5344*

FEATURES

- AD5334: Quad 8-Bit DAC in 24-Lead TSSOP
- AD5335: Quad 10-Bit DAC in 24-Lead TSSOP
- AD5336: Quad 10-Bit DAC in 28-Lead TSSOP
- AD5344: Quad 12-Bit DAC in 28-Lead TSSOP
- Low Power Operation: 500 μ A @ 3 V, 600 μ A @ 5 V
- Power-Down to 80 nA @ 3 V, 200 nA @ 5 V via PD Pin
- 2.5 V to 5.5 V Power Supply
- Double-Buffered Input Logic
- Guaranteed Monotonic by Design Over All Codes
- Output Range: 0- V_{REF} or 0- $2 V_{REF}$
- Power-On Reset to Zero Volts
- Simultaneous Update of DAC Outputs via LDAC Pin
- Asynchronous CLR Facility
- Low Power Parallel Data Interface
- On-Chip Rail-to-Rail Output Buffer Amplifiers
- Temperature Range: -40°C to +105°C

APPLICATIONS

- Portable Battery-Powered Instruments
- Digital Gain and Offset Adjustment
- Programmable Voltage and Current Sources
- Programmable Attenuators
- Industrial Process Control

GENERAL DESCRIPTION

The AD5334/AD5335/AD5336/AD5344 are quad 8-, 10-, and 12-bit DACs. They operate from a 2.5 V to 5.5 V supply consuming just 500 μ A at 3 V, and feature a power-down mode that further reduces the current to 80 nA. These devices incorporate an on-chip output buffer that can drive the output to both supply rails.

The AD5334/AD5335/AD5336/AD5344 have a parallel interface. \overline{CS} selects the device and data is loaded into the input registers on the rising edge of \overline{WR} .

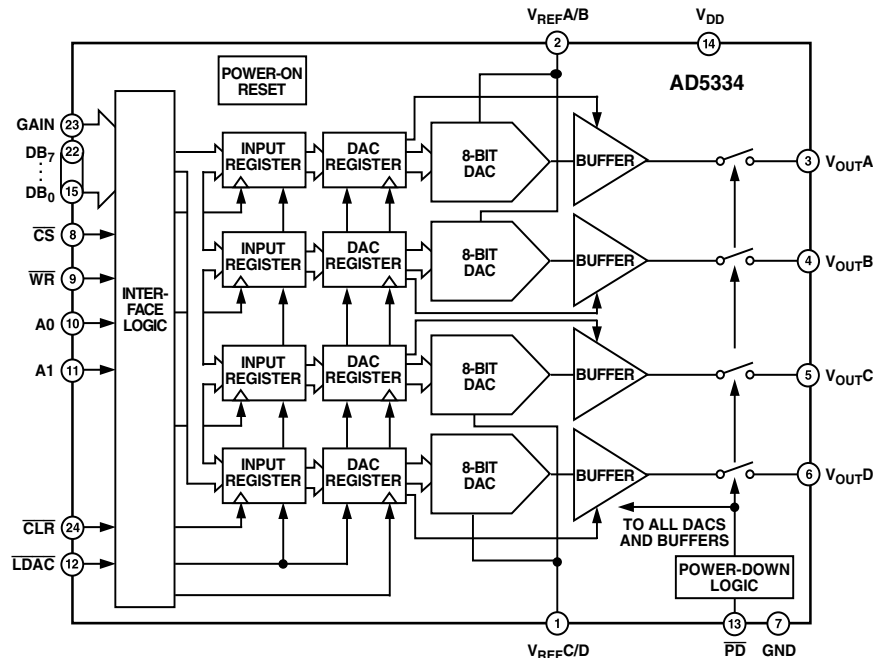
The GAIN pin on the AD5334 and AD5336 allows the output range to be set at 0 V to V_{REF} or 0 V to $2 \times V_{REF}$.

Input data to the DACs is double-buffered, allowing simultaneous update of multiple DACs in a system using the LDAC pin.

On the AD5334, AD5335 and AD5336 an asynchronous CLR input is also provided. This resets the contents of the Input Register and the DAC Register to all zeros. These devices also incorporate a power-on-reset circuit that ensures that the DAC output powers on to 0 V and remains there until valid data is written to the device.

The AD5334/AD5335/AD5336/AD5344 are available in Thin Shrink Small Outline Packages (TSSOP).

AD5334 FUNCTIONAL BLOCK DIAGRAM
(Other Diagrams Inside)



*Protected by U.S. Patent Number 5,969,657.

REV. 0

Information furnished by Analog Devices is believed to be accurate and reliable. However, no responsibility is assumed by Analog Devices for its use, nor for any infringements of patents or other rights of third parties which may result from its use. No license is granted by implication or otherwise under any patent or patent rights of Analog Devices.

AD5334/AD5335/AD5336/AD5344—SPECIFICATIONS

($V_{DD} = 2.5\text{ V to }5.5\text{ V}$, $V_{REF} = 2\text{ V}$, $R_L = 2\text{ k}\Omega$ to GND; $C_L = 200\text{ pF}$ to GND; all specifications T_{MIN} to T_{MAX} unless otherwise noted.)

| Parameter ¹ | B Version ² | | | Unit | Conditions/Comments | |
|----------------------------------------------|------------------------|------------------|------------|--------------------------------|--------------------------------------------------------------------------------------------------------------------------------------------------------------------------------------------------------------------|----------------------------------------------------------------------------------------------------------|
| | Min | Typ | Max | | | |
| DC PERFORMANCE^{3, 4} | | | | | | |
| AD5334 | | | | | | |
| Resolution | | 8 | | Bits | Guaranteed Monotonic By Design Over All Codes | |
| Relative Accuracy | | ± 0.15 | ± 1 | LSB | | |
| Differential Nonlinearity | | ± 0.02 | ± 0.25 | LSB | | |
| AD5335/AD5336 | | | | | | |
| Resolution | | 10 | | Bits | Guaranteed Monotonic By Design Over All Codes | |
| Relative Accuracy | | ± 0.5 | ± 4 | LSB | | |
| Differential Nonlinearity | | ± 0.05 | ± 0.5 | LSB | | |
| AD5344 | | | | | | |
| Resolution | | 12 | | Bits | Guaranteed Monotonic By Design Over All Codes | |
| Relative Accuracy | | ± 2 | ± 16 | LSB | | |
| Differential Nonlinearity | | ± 0.2 | ± 1 | LSB | | |
| Offset Error | | ± 0.4 | ± 3 | % of FSR | Lower Deadband Exists Only if Offset Error Is Negative $V_{DD} = 5\text{ V}$. Upper Deadband Exists Only if $V_{REF} = V_{DD}$ | |
| Gain Error | | ± 0.1 | ± 1 | % of FSR | | |
| Lower Deadband ⁵ | | 10 | 60 | mV | | |
| Upper Deadband | | 10 | 60 | mV | | |
| Offset Error Drift ⁶ | | -12 | | ppm of FSR/ $^{\circ}\text{C}$ | | |
| Gain Error Drift ⁶ | | -5 | | ppm of FSR/ $^{\circ}\text{C}$ | | |
| DC Power Supply Rejection Ratio ⁶ | | -60 | | dB | | |
| DC Crosstalk ⁶ | | 200 | | μV | | |
| | | | | | | $\Delta V_{DD} = \pm 10\%$ |
| | | | | | | $R_L = 2\text{ k}\Omega$ to GND, $2\text{ k}\Omega$ to V_{DD} ; $C_L = 200\text{ pF}$ to GND; Gain = 0 |
| DAC REFERENCE INPUT⁶ | | | | | | |
| V_{REF} Input Range | 0.25 | | V_{DD} | V | Gain = 1. Input Impedance = R_{DAC} (AD5336/AD5344) Gain = 2. Input Impedance = R_{DAC} (AD5336) Gain = 1. Input Impedance = R_{DAC} (AD5334/AD5335) Gain = 2. Input Impedance = R_{DAC} (AD5334) | |
| V_{REF} Input Impedance | | 180 | | k Ω | | |
| | | 90 | | k Ω | | |
| | | 90 | | k Ω | | |
| | | 45 | | k Ω | | |
| Reference Feedthrough | | -90 | | dB | Frequency = 10 kHz | |
| Channel-to-Channel Isolation | | -90 | | dB | Frequency = 10 kHz | |
| OUTPUT CHARACTERISTICS⁶ | | | | | | |
| Minimum Output Voltage ^{4, 7} | | 0.001 | | V min | Rail-to-Rail Operation | |
| Maximum Output Voltage ^{4, 7} | | $V_{DD} - 0.001$ | | V max | | |
| DC Output Impedance | | 0.5 | | Ω | $V_{DD} = 5\text{ V}$ | |
| Short Circuit Current | | 50 | | mA | | |
| | | 20 | | mA | | $V_{DD} = 3\text{ V}$ |
| Power-Up Time | | 2.5 | | μs | Coming Out of Power-Down Mode. $V_{DD} = 5\text{ V}$ | |
| | | 5 | | μs | Coming Out of Power-Down Mode. $V_{DD} = 3\text{ V}$ | |
| LOGIC INPUTS⁶ | | | | | | |
| Input Current | | ± 1 | | μA | $V_{DD} = 5\text{ V} \pm 10\%$ $V_{DD} = 3\text{ V} \pm 10\%$ $V_{DD} = 2.5\text{ V}$ $V_{DD} = 5\text{ V} \pm 10\%$ $V_{DD} = 3\text{ V} \pm 10\%$ $V_{DD} = 2.5\text{ V}$ | |
| V_{IL} , Input Low Voltage | | | 0.8 | V | | |
| | | | 0.6 | V | | |
| | | | 0.5 | V | | |
| V_{IH} , Input High Voltage | 2.4 | | | V | | |
| | 2.1 | | | V | | |
| | 2.0 | | | V | | |
| Pin Capacitance | | 3.5 | | pF | | |
| POWER REQUIREMENTS | | | | | | |
| V_{DD} | 2.5 | | 5.5 | V | All DACs active and excluding load currents. $V_{IH} = V_{DD}$, $V_{IL} = \text{GND}$. I_{DD} increases by 50 μA at $V_{REF} > V_{DD} - 100\text{ mV}$. | |
| I_{DD} (Normal Mode) | | | | | | |
| $V_{DD} = 4.5\text{ V to }5.5\text{ V}$ | | 600 | 900 | μA | | |
| $V_{DD} = 2.5\text{ V to }3.6\text{ V}$ | | 500 | 700 | μA | | |
| I_{DD} (Power-Down Mode) | | | | | | |
| $V_{DD} = 4.5\text{ V to }5.5\text{ V}$ | | 0.2 | 1 | μA | | |
| $V_{DD} = 2.5\text{ V to }3.6\text{ V}$ | | 0.08 | 1 | μA | | |

NOTES

¹See Terminology section.

²Temperature range: B Version: -40°C to $+105^{\circ}\text{C}$; typical specifications are at 25°C .

³Linearity is tested using a reduced code range: AD5334 (Code 8 to 255); AD5335/AD5336 (Code 28 to 1023); AD5344 (Code 115 to 4095).

⁴DC specifications tested with outputs unloaded.

⁵This corresponds to x codes. x = Deadband voltage/LSB size.

⁶Guaranteed by design and characterization, not production tested.

⁷In order for the amplifier output to reach its minimum voltage, Offset Error must be negative. In order for the amplifier output to reach its maximum voltage, $V_{REF} = V_{DD}$ and "Offset plus Gain" Error must be positive.

Specifications subject to change without notice.

AC CHARACTERISTICS¹ ($V_{DD} = 2.5\text{ V to }5.5\text{ V}$, $R_L = 2\text{ k}\Omega\text{ to GND}$; $C_L = 200\text{ pF to GND}$. All specifications T_{MIN} to T_{MAX} unless otherwise noted.)

| Parameter ² | B Version ³ | | | Unit | Conditions/Comments |
|-------------------------------------|------------------------|-----|-----|--------------------------|--------------------------------------------------------------------|
| | Min | Typ | Max | | |
| Output Voltage Settling Time | | | | | $V_{REF} = 2\text{ V}$. See Figure 20 |
| AD5334 | | 6 | 8 | μs | 1/4 Scale to 3/4 Scale Change (40 H to C0 H) |
| AD5335 | | 7 | 9 | μs | 1/4 Scale to 3/4 Scale Change (100 H to 300 H) |
| AD5336 | | 7 | 9 | μs | 1/4 Scale to 3/4 Scale Change (100 H to 300 H) |
| AD5344 | | 8 | 10 | μs | 1/4 Scale to 3/4 Scale Change (400 H to C00 H) |
| Slew Rate | | 0.7 | | $\text{V}/\mu\text{s}$ | |
| Major Code Transition Glitch Energy | | 8 | | $\text{nV}\cdot\text{s}$ | 1 LSB Change Around Major Carry |
| Digital Feedthrough | | 0.5 | | $\text{nV}\cdot\text{s}$ | |
| Digital Crosstalk | | 3 | | $\text{nV}\cdot\text{s}$ | |
| Analog Crosstalk | | 0.5 | | $\text{nV}\cdot\text{s}$ | |
| DAC-to-DAC Crosstalk | | 3.5 | | $\text{nV}\cdot\text{s}$ | |
| Multiplying Bandwidth | | 200 | | kHz | $V_{REF} = 2\text{ V} \pm 0.1\text{ V p-p}$. Unbuffered Mode |
| Total Harmonic Distortion | | -70 | | dB | $V_{REF} = 2.5\text{ V} \pm 0.1\text{ V p-p}$. Frequency = 10 kHz |

NOTES

¹Guaranteed by design and characterization, not production tested.

²See Terminology section.

³Temperature range: B Version: $-40^\circ\text{C to }+105^\circ\text{C}$; typical specifications are at 25°C .

Specifications subject to change without notice.

TIMING CHARACTERISTICS^{1, 2, 3} ($V_{DD} = 2.5\text{ V to }5.5\text{ V}$, All specifications T_{MIN} to T_{MAX} unless otherwise noted.)

| Parameter | Limit at T_{MIN} , T_{MAX} | Unit | Condition/Comments |
|-----------|--------------------------------|--------|---------------------------------------------------------------------------------------|
| t_1 | 0 | ns min | $\overline{\text{CS}}$ to $\overline{\text{WR}}$ Setup Time |
| t_2 | 0 | ns min | $\overline{\text{CS}}$ to $\overline{\text{WR}}$ Hold Time |
| t_3 | 20 | ns min | $\overline{\text{WR}}$ Pulsewidth |
| t_4 | 5 | ns min | Data, GAIN, HBEN Setup Time |
| t_5 | 4.5 | ns min | Data, GAIN, HBEN Hold Time |
| t_6 | 5 | ns min | Synchronous Mode. $\overline{\text{WR}}$ Falling to $\overline{\text{LDAC}}$ Falling. |
| t_7 | 5 | ns min | Synchronous Mode. $\overline{\text{LDAC}}$ Falling to $\overline{\text{WR}}$ Rising. |
| t_8 | 4.5 | ns min | Synchronous Mode. $\overline{\text{WR}}$ Rising to $\overline{\text{LDAC}}$ Rising. |
| t_9 | 5 | ns min | Asynchronous Mode. $\overline{\text{LDAC}}$ Rising to $\overline{\text{WR}}$ Rising. |
| t_{10} | 4.5 | ns min | Asynchronous Mode. $\overline{\text{WR}}$ Rising to $\overline{\text{LDAC}}$ Falling. |
| t_{11} | 20 | ns min | $\overline{\text{LDAC}}$ Pulsewidth |
| t_{12} | 20 | ns min | $\overline{\text{CLR}}$ Pulsewidth |
| t_{13} | 50 | ns min | Time Between $\overline{\text{WR}}$ Cycles |
| t_{14} | 20 | ns min | A0, A1 Setup Time |
| t_{15} | 0 | ns min | A0, A1 Hold Time |

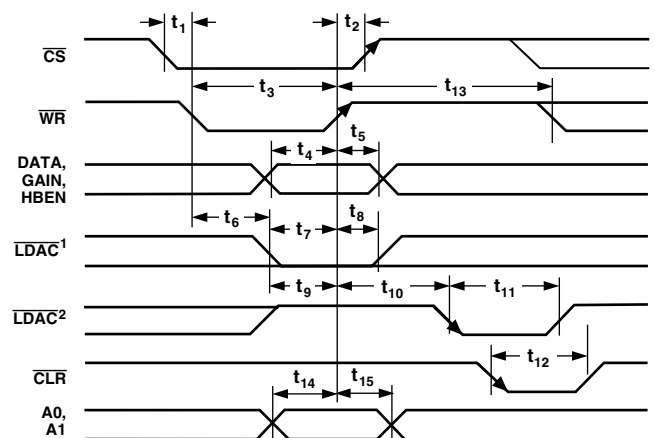
NOTES

¹Guaranteed by design and characterization, not production tested.

²All input signals are specified with $t_r = t_f = 5\text{ ns}$ (10% to 90% of V_{DD}) and timed from a voltage level of $(V_{IL} + V_{IH})/2$.

³See Figure 1.

Specifications subject to change without notice.



NOTES:

- ¹ SYNCHRONOUS $\overline{\text{LDAC}}$ UPDATE MODE
- ² ASYNCHRONOUS $\overline{\text{LDAC}}$ UPDATE MODE

Figure 1. Parallel Interface Timing Diagram

AD5334/AD5335/AD5336/AD5344

ABSOLUTE MAXIMUM RATINGS*

(T_A = 25°C unless otherwise noted)

| | |
|---------------------------------------------------|-----------------------------------------------------------|
| V _{DD} to GND | −0.3 V to +7 V |
| Digital Input Voltage to GND | −0.3 V to V _{DD} + 0.3 V |
| Digital Output Voltage to GND | −0.3 V to V _{DD} + 0.3 V |
| Reference Input Voltage to GND | −0.3 V to V _{DD} + 0.3 V |
| V _{OUT} to GND | −0.3 V to V _{DD} + 0.3 V |
| Operating Temperature Range | |
| Industrial (B Version) | −40°C to +105°C |
| Storage Temperature Range | −65°C to +150°C |
| Junction Temperature | 150°C |
| TSSOP Package | |
| Power Dissipation | (T _J max − T _A)/θ _{JA} mW |
| θ _{JA} Thermal Impedance (24-Lead TSSOP) | 128°C/W |
| θ _{JA} Thermal Impedance (28-Lead TSSOP) | 97.9°C/W |
| θ _{JC} Thermal Impedance (24-Lead TSSOP) | 42°C/W |
| θ _{JC} Thermal Impedance (28-Lead TSSOP) | 14°C/W |

Reflow Soldering

| | |
|--------------------------|------------------|
| Peak Temperature | 220 +5/−0°C |
| Time at Peak Temperature | 10 sec to 40 sec |

*Stresses above those listed under Absolute Maximum Ratings may cause permanent damage to the device. This is a stress rating only; functional operation of the device at these or any other conditions above those listed in the operational sections of this specification is not implied. Exposure to absolute maximum rating conditions for extended periods may affect device reliability.

ORDERING GUIDE

| Model | Temperature Range | Package Description | Package Option |
|-----------|-------------------|-------------------------------------------|----------------|
| AD5334BRU | −40°C to +105°C | TSSOP (Thin Shrink Small Outline Package) | RU-24 |
| AD5335BRU | −40°C to +105°C | TSSOP (Thin Shrink Small Outline Package) | RU-24 |
| AD5336BRU | −40°C to +105°C | TSSOP (Thin Shrink Small Outline Package) | RU-28 |
| AD5344BRU | −40°C to +105°C | TSSOP (Thin Shrink Small Outline Package) | RU-28 |

CAUTION

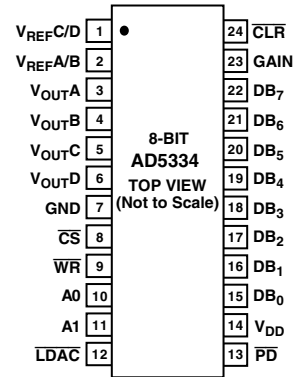
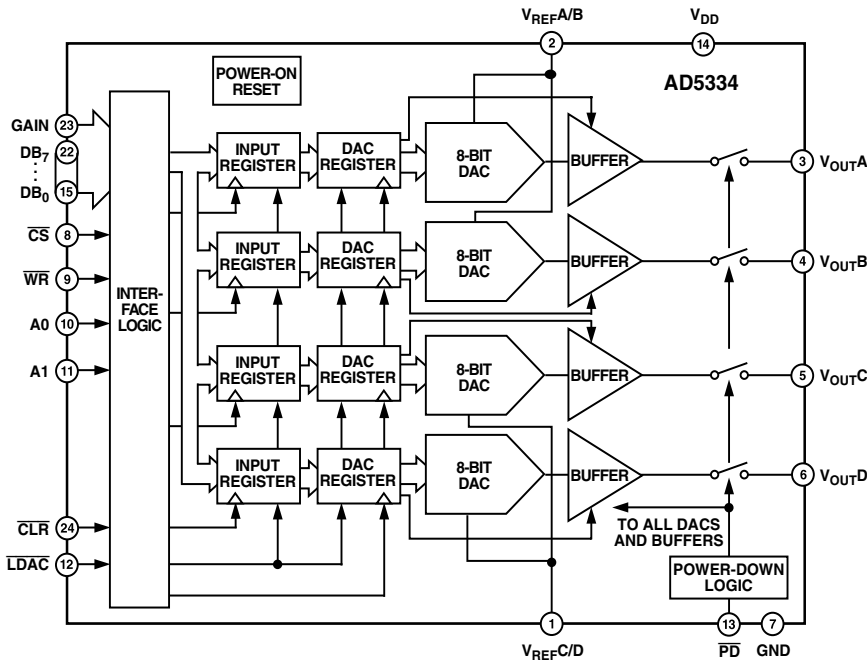
ESD (electrostatic discharge) sensitive device. Electrostatic charges as high as 4000 V readily accumulate on the human body and test equipment and can discharge without detection. Although the AD5334/AD5335/AD5336/AD5344 features proprietary ESD protection circuitry, permanent damage may occur on devices subjected to high-energy electrostatic discharges. Therefore, proper ESD precautions are recommended to avoid performance degradation or loss of functionality.



AD5334/AD5335/AD5336/AD5344

AD5334 FUNCTIONAL BLOCK DIAGRAM

AD5334 PIN CONFIGURATION

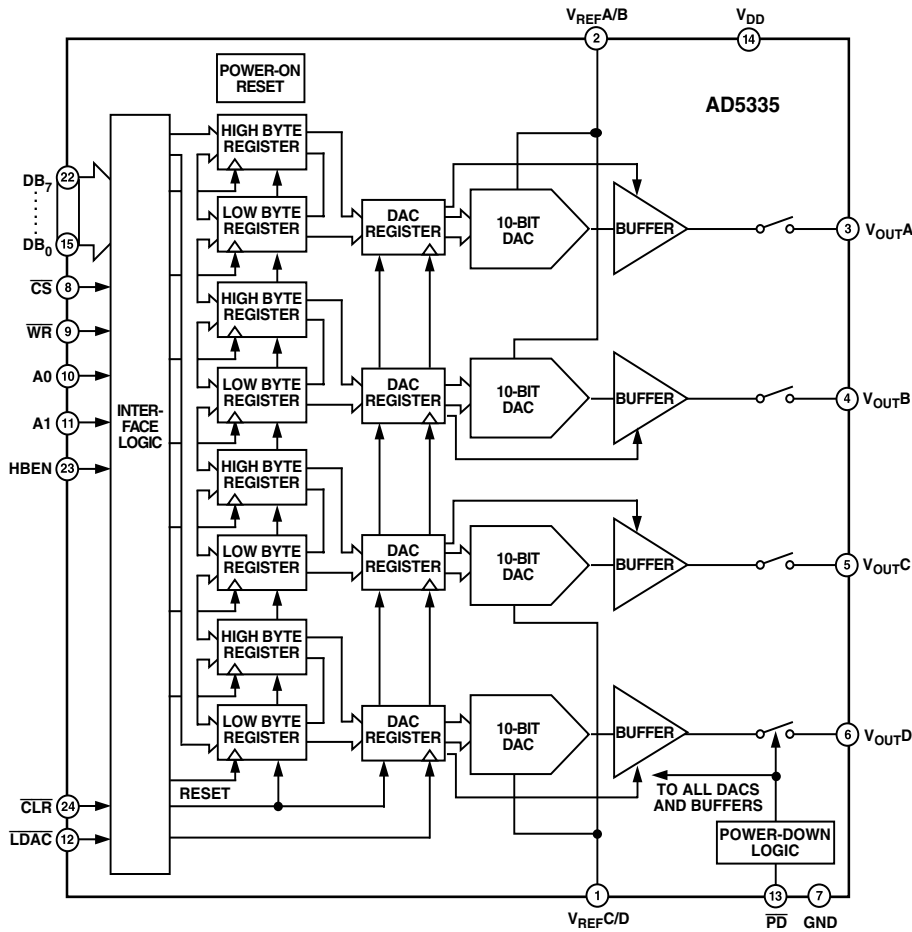


AD5334 PIN FUNCTION DESCRIPTIONS

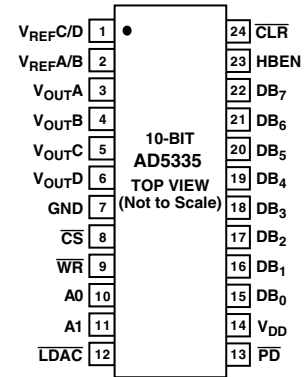
| Pin No. | Mnemonic | Function |
|---------|----------------------------------|-----------------------------------------------------------------------------------------------------------------------------------------------------------------------------|
| 1 | $V_{REFC/D}$ | Unbuffered Reference Input for DACs C and D. |
| 2 | $V_{REFA/B}$ | Unbuffered Reference Input for DACs A and B. |
| 3 | V_{OUTA} | Output of DAC A. Buffered Output with Rail-to-Rail Operation. |
| 4 | V_{OUTB} | Output of DAC B. Buffered Output with Rail-to-Rail Operation. |
| 5 | V_{OUTC} | Output of DAC C. Buffered Output with Rail-to-Rail Operation. |
| 6 | V_{OUTD} | Output of DAC D. Buffered Output with Rail-to-Rail Operation. |
| 7 | GND | Ground Reference Point for All Circuitry on the Part. |
| 8 | \overline{CS} | Active Low Chip Select Input. This is used in conjunction with \overline{WR} to write data to the parallel interface. |
| 9 | \overline{WR} | Active Low Write Input. This is used in conjunction with \overline{CS} to write data to the parallel interface. |
| 10 | A0 | LSB Address Pin for Selecting which DAC Is to Be Written to. |
| 11 | A1 | MSB Address Pin for Selecting which DAC Is to Be Written to. |
| 12 | \overline{LDAC} | Active Low Control Input that Updates the DAC Registers with the Contents of the Input Registers. This allows all DAC outputs to be simultaneously updated. |
| 13 | \overline{PD} | Power-Down Pin. This active low control pin puts all DACs into power-down mode. |
| 14 | V_{DD} | Power Supply Pin. This part can operate from 2.5 V to 5.5 V and the supply should be decoupled with a 10 μ F capacitor in parallel with a 0.1 μ F capacitor to GND. |
| 15–22 | DB ₀ –DB ₇ | Eight Parallel Data Inputs. DB ₇ is the MSB of these eight bits. |
| 23 | GAIN | Gain Control Pin. This controls whether the output range from the DAC is 0– V_{REF} or 0–2 V_{REF} . |
| 24 | \overline{CLR} | Asynchronous Active Low Control Input that Clears All Input Registers and DAC Registers to Zeros. |

AD5334/AD5335/AD5336/AD5344

AD5335 FUNCTIONAL BLOCK DIAGRAM



AD5335 PIN CONFIGURATION



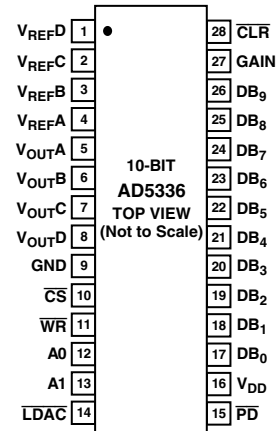
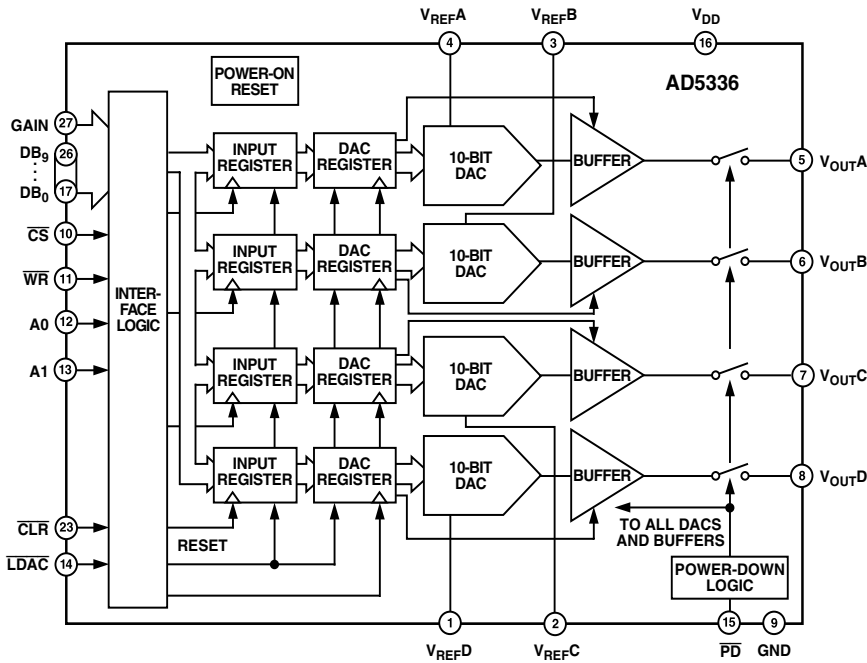
AD5335 PIN FUNCTION DESCRIPTIONS

| Pin No. | Mnemonic | Function |
|---------|----------------------------------|-----------------------------------------------------------------------------------------------------------------------------------------------------------------------------|
| 1 | $V_{REFC/D}$ | Unbuffered Reference Input for DACs C and D. |
| 2 | $V_{REFA/B}$ | Unbuffered Reference Input for DACs A and B. |
| 3 | V_{OUTA} | Output of DAC A. Buffered output with rail-to-rail operation. |
| 4 | V_{OUTB} | Output of DAC B. Buffered output with rail-to-rail operation. |
| 5 | V_{OUTC} | Output of DAC C. Buffered output with rail-to-rail operation. |
| 6 | V_{OUTD} | Output of DAC D. Buffered output with rail-to-rail operation. |
| 7 | GND | Ground Reference Point for All Circuitry on the Part. |
| 8 | \overline{CS} | Active Low Chip Select Input. This is used in conjunction with \overline{WR} to write data to the parallel interface. |
| 9 | \overline{WR} | Active Low Write Input. This is used in conjunction with \overline{CS} to write data to the parallel interface. |
| 10 | A0 | LSB Address Pin for Selecting which DAC Is to Be Written to. |
| 11 | A1 | MSB Address Pin for Selecting which DAC Is to Be Written to. |
| 12 | \overline{LDAC} | Active Low Control Input that Updates the DAC Registers with the Contents of the Input Registers. This allows all DAC outputs to be simultaneously updated. |
| 13 | \overline{PD} | Power-Down Pin. This active low control pin puts all DACs into power-down mode. |
| 14 | V_{DD} | Power Supply Pin. This part can operate from 2.5 V to 5.5 V and the supply should be decoupled with a 10 μ F capacitor in parallel with a 0.1 μ F capacitor to GND. |
| 15–22 | DB ₀ –DB ₇ | Eight Parallel Data Inputs. DB ₇ is the MSB of these eight bits. |
| 23 | HBEN | This pin is used when writing to the device to determine if data is written to the high byte register or the low byte register. |
| 24 | \overline{CLR} | Asynchronous Active Low Control Input that Clears All Input Registers and DAC Registers to Zeros. |

AD5334/AD5335/AD5336/AD5344

AD5336 FUNCTIONAL BLOCK DIAGRAM

AD5336 PIN CONFIGURATION



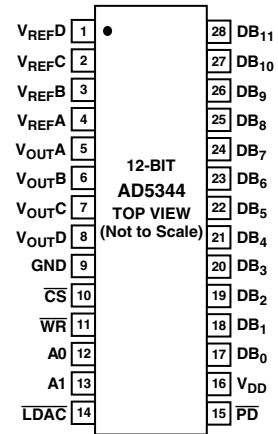
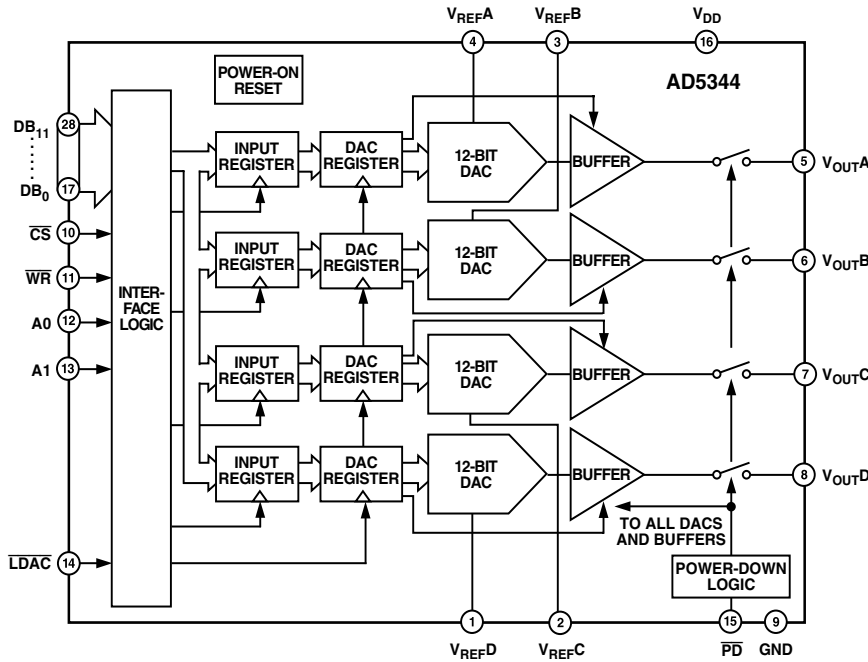
AD5336 PIN FUNCTION DESCRIPTIONS

| Pin No. | Mnemonic | Function |
|---------|----------------------------------|-----------------------------------------------------------------------------------------------------------------------------------------------------------------------------|
| 1 | V _{REFD} | Unbuffered Reference Input for DAC D. |
| 2 | V _{REFC} | Unbuffered Reference Input for DAC C. |
| 3 | V _{REFB} | Unbuffered Reference Input for DAC B. |
| 4 | V _{REFA} | Unbuffered Reference Input for DAC A. |
| 5 | V _{OUTA} | Output of DAC A. Buffered output with rail-to-rail operation. |
| 6 | V _{OUTB} | Output of DAC B. Buffered output with rail-to-rail operation. |
| 7 | V _{OUTC} | Output of DAC C. Buffered output with rail-to-rail operation. |
| 8 | V _{OUTD} | Output of DAC D. Buffered output with rail-to-rail operation. |
| 9 | GND | Ground Reference Point for All Circuitry on the Part. |
| 10 | \overline{CS} | Active Low Chip Select Input. This is used in conjunction with \overline{WR} to write data to the parallel interface. |
| 11 | \overline{WR} | Active Low Write Input. This is used in conjunction with \overline{CS} to write data to the parallel interface. |
| 12 | A0 | LSB Address Pin for Selecting which DAC Is to Be Written to. |
| 13 | A1 | MSB Address Pin for Selecting which DAC is to Be Written to. |
| 14 | \overline{LDAC} | Active Low Control Input that Updates the DAC Registers with the Contents of the Input Registers. This allows all DAC outputs to be simultaneously updated. |
| 15 | \overline{PD} | Power-Down Pin. This active low control pin puts all DACs into power-down mode. |
| 16 | V _{DD} | Power Supply Pin. This part can operate from 2.5 V to 5.5 V and the supply should be decoupled with a 10 μ F capacitor in parallel with a 0.1 μ F capacitor to GND. |
| 17-26 | DB ₀ -DB ₉ | 10 Parallel Data Inputs. DB ₉ is the MSB of these 10 bits. |
| 27 | GAIN | Gain Control Pin. This controls whether the output range from the DAC is 0-V _{REF} or 0-2 V _{REF} . |
| 28 | \overline{CLR} | Asynchronous Active Low Control Input that Clears All Input Registers and DAC Registers to Zeros. |

AD5334/AD5335/AD5336/AD5344

AD5344 FUNCTIONAL BLOCK DIAGRAM

AD5344 PIN CONFIGURATION



AD5344 PIN FUNCTION DESCRIPTIONS

| Pin No. | Mnemonic | Function |
|---------|-----------------------------------|-----------------------------------------------------------------------------------------------------------------------------------------------------------------------------------------|
| 1 | V _{REFD} | Unbuffered Reference Input for DAC D. |
| 2 | V _{REFC} | Unbuffered Reference Input for DAC C. |
| 3 | V _{REFB} | Unbuffered Reference Input for DAC B. |
| 4 | V _{REFA} | Unbuffered Reference Input for DAC A. |
| 5 | V _{OUTA} | Output of DAC A. Buffered output with rail-to-rail operation. |
| 6 | V _{OUTB} | Output of DAC B. Buffered output with rail-to-rail operation. |
| 7 | V _{OUTC} | Output of DAC C. Buffered output with rail-to-rail operation. |
| 8 | V _{OUTD} | Output of DAC D. Buffered output with rail-to-rail operation. |
| 9 | GND | Ground Reference Point for All Circuitry on the Part. |
| 10 | $\overline{\text{CS}}$ | Active Low Chip Select Input. This is used in conjunction with $\overline{\text{WR}}$ to write data to the parallel interface. |
| 11 | $\overline{\text{WR}}$ | Active Low Write Input. This is used in conjunction with $\overline{\text{CS}}$ to write data to the parallel interface. |
| 12 | A0 | LSB Address Pin for Selecting which DAC Is to Be Written to. |
| 13 | A1 | MSB Address Pin for Selecting which DAC Is to Be Written to. |
| 14 | $\overline{\text{LDAC}}$ | Active Low Control Input that Updates the DAC Registers with the Contents of the Input Registers. This allows all DAC outputs to be simultaneously updated. |
| 15 | $\overline{\text{PD}}$ | Power-Down Pin. This active low control pin puts all DACs into power-down mode. |
| 16 | V _{DD} | Power Supply Pin. This part can operate from 2.5 V to 5.5 V and the supply should be decoupled with a 10 μF capacitor in parallel with a 0.1 μF capacitor to GND. |
| 17–28 | DB ₀ –DB ₁₁ | 12 Parallel Data Inputs. DB ₁₁ is the MSB of these 12 bits. |

TERMINOLOGY

RELATIVE ACCURACY

For the DAC, Relative Accuracy or Integral Nonlinearity (INL) is a measure of the maximum deviation, in LSBs, from a straight line passing through the actual endpoints of the DAC transfer function. Typical INL versus Code plot can be seen in Figures 5, 6, and 7.

DIFFERENTIAL NONLINEARITY

Differential Nonlinearity (DNL) is the difference between the measured change and the ideal 1 LSB change between any two adjacent codes. A specified differential nonlinearity of ± 1 LSB maximum ensures monotonicity. This DAC is guaranteed monotonic by design. Typical DNL versus Code plot can be seen in Figures 8, 9, and 10.

OFFSET ERROR

This is a measure of the offset error of the DAC and the output amplifier. It is expressed as a percentage of the full-scale range.

If the offset voltage is positive, the output voltage will still be positive at zero input code. This is shown in Figure 3. Because the DACs operate from a single supply, a negative offset cannot appear at the output of the buffer amplifier. Instead, there will be a code close to zero at which the amplifier output saturates (amplifier footroom). Below this code there will be a deadband over which the output voltage will not change. This is illustrated in Figure 4.

GAIN ERROR

This is a measure of the span error of the DAC (including any error in the gain of the buffer amplifier). It is the deviation in slope of the actual DAC transfer characteristic from the ideal expressed as a percentage of the full-scale range. This is illustrated in Figure 2.

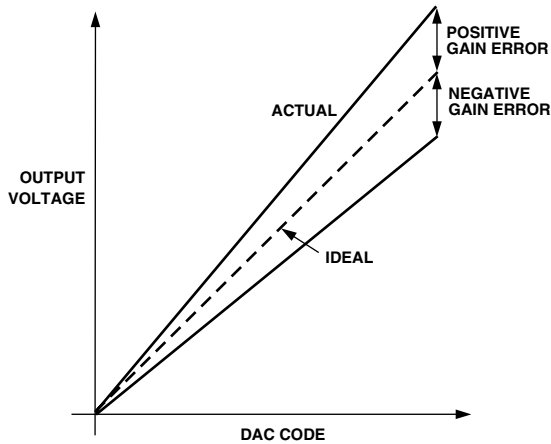


Figure 2. Gain Error

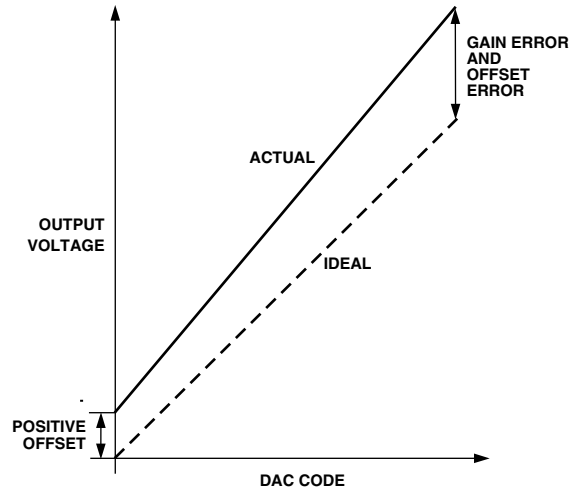


Figure 3. Positive Offset Error and Gain Error

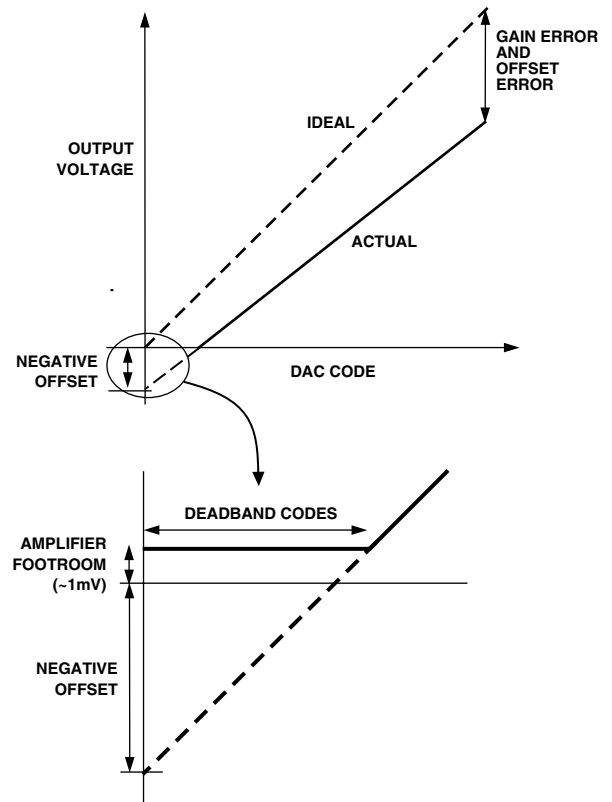


Figure 4. Negative Offset Error and Gain Error

AD5334/AD5335/AD5336/AD5344

OFFSET ERROR DRIFT

This is a measure of the change in Offset Error with changes in temperature. It is expressed in (ppm of full-scale range)/°C.

GAIN ERROR DRIFT

This is a measure of the change in Gain Error with changes in temperature. It is expressed in (ppm of full-scale range)/°C.

DC POWER-SUPPLY REJECTION RATIO (PSRR)

This indicates how the output of the DAC is affected by changes in the supply voltage. PSRR is the ratio of the change in V_{OUT} to a change in V_{DD} for full-scale output of the DAC. It is measured in dBs. V_{REF} is held at 2 V and V_{DD} is varied $\pm 10\%$.

DC CROSSTALK

This is the dc change in the output level of one DAC at mid-scale in response to a full-scale code change (all 0s to all 1s and vice versa) and output change of another DAC. It is expressed in μV .

REFERENCE FEEDTHROUGH

This is the ratio of the amplitude of the signal at the DAC output to the reference input when the DAC output is not being updated (i.e., \overline{LDAC} is high). It is expressed in dBs.

CHANNEL-TO-CHANNEL ISOLATION

This is a ratio of the amplitude of the signal at the output of one DAC to a sine wave on the reference inputs of the other DACs. It is measured by grounding one V_{REF} pin and applying a 10 kHz, 4 V peak-to-peak sine wave to the other V_{REF} pins. It is expressed in dBs.

MAJOR-CODE TRANSITION GLITCH ENERGY

Major-Code Transition Glitch Energy is the energy of the impulse injected into the analog output when the DAC changes state. It is normally specified as the area of the glitch in nV secs and is measured when the digital code is changed by 1 LSB at the major carry transition (011 . . . 11 to 100 . . . 00 or 100 . . . 00 to 011 . . . 11).

DIGITAL FEEDTHROUGH

Digital Feedthrough is a measure of the impulse injected into the analog output of the DAC from the digital input pins of the device but is measured when the DAC is not being written to (\overline{CS} held high). It is specified in nV-secs and is measured with a full-scale change on the digital input pins, i.e. from all 0s to all 1s and vice versa.

DIGITAL CROSSTALK

This is the glitch impulse transferred to the output of one DAC at mid-scale in response to a full-scale code change (all 0s to all 1s and vice versa) in the input register of another DAC. It is expressed in nV secs.

ANALOG CROSSTALK

This is the glitch impulse transferred to the output of one DAC due to a change in the output of another DAC. It is measured by loading one of the input registers with a full-scale code change (all 0s to all 1s and vice versa) while keeping \overline{LDAC} high. Then pulse \overline{LDAC} low and monitor the output of the DAC whose digital code was not changed. The area of the glitch is expressed in nV secs.

DAC-TO-DAC CROSSTALK

This is the glitch impulse transferred to the output of one DAC due to a digital code change and subsequent output change of another DAC. This includes both digital and analog crosstalk. It is measured by loading one of the DACs with a full-scale code change (all 0s to all 1s and vice versa) with the \overline{LDAC} pin set low and monitoring the output of another DAC. The energy of the glitch is expressed in nV secs.

MULTIPLYING BANDWIDTH

The amplifiers within the DAC have a finite bandwidth. The Multiplying Bandwidth is a measure of this. A sine wave on the reference (with full-scale code loaded to the DAC) appears on the output. The Multiplying Bandwidth is the frequency at which the output amplitude falls to 3 dB below the input.

TOTAL HARMONIC DISTORTION

This is the difference between an ideal sine wave and its attenuated version using the DAC. The sine wave is used as the reference for the DAC and the THD is a measure of the harmonics present on the DAC output. It is measured in dBs.

Typical Performance Characteristics—AD5334/AD5335/AD5336/AD5344

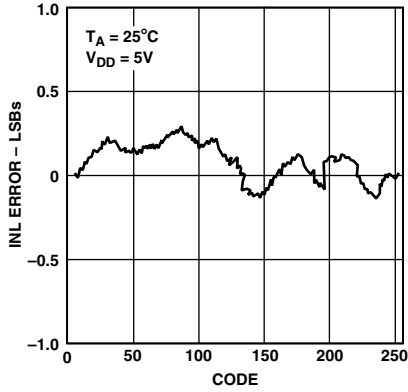


Figure 5. AD5334 Typical INL Plot

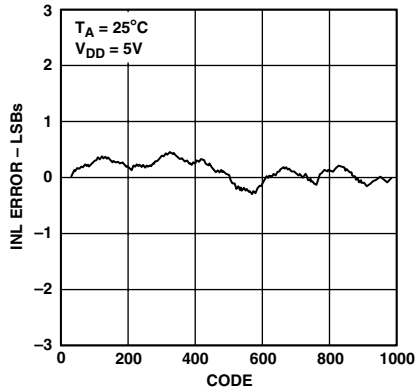


Figure 6. AD5335 Typical INL Plot

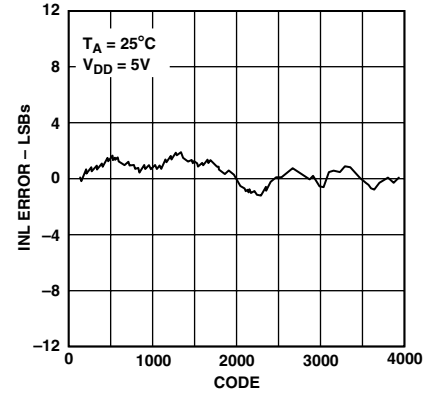


Figure 7. AD5336 Typical INL Plot

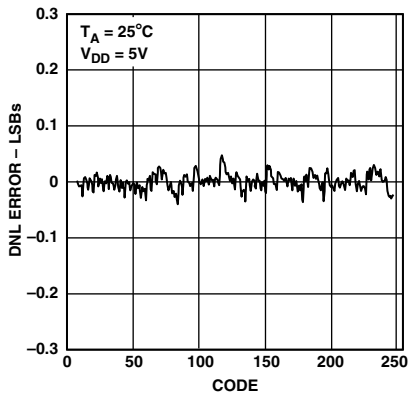


Figure 8. AD5334 Typical DNL Plot

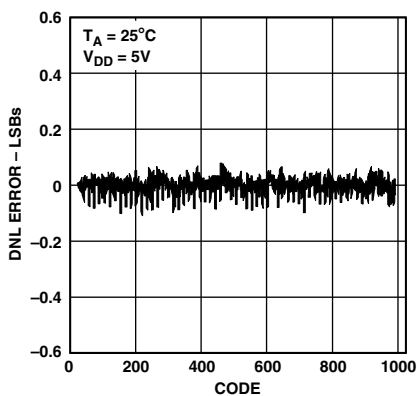


Figure 9. AD5335 Typical DNL Plot

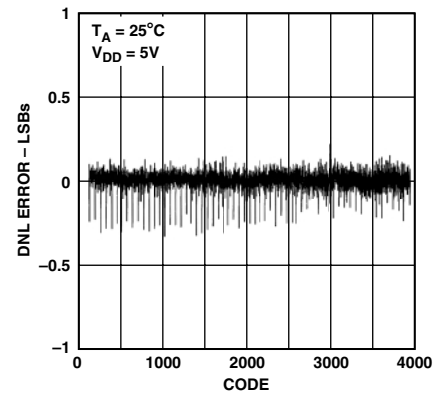


Figure 10. AD5336 Typical DNL Plot

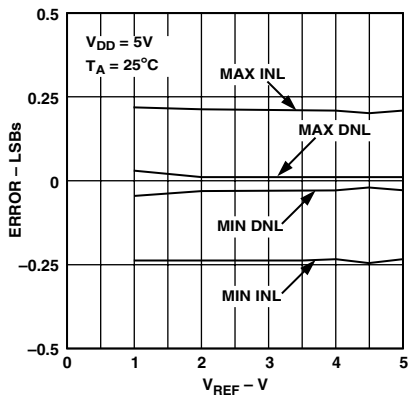


Figure 11. AD5334 INL and DNL Error vs. V_{REF}

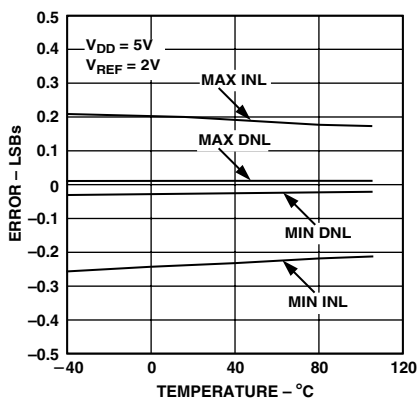


Figure 12. AD5334 INL Error and DNL Error vs. Temperature

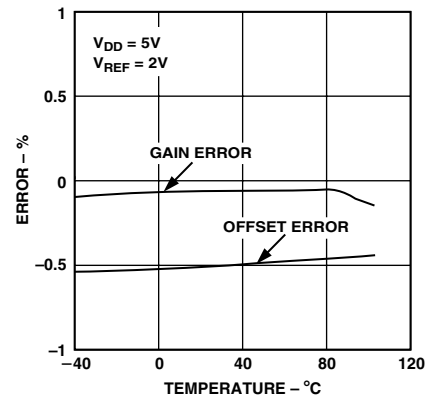


Figure 13. AD5334 Offset Error and Gain Error vs. Temperature

AD5334/AD5335/AD5336/AD5344

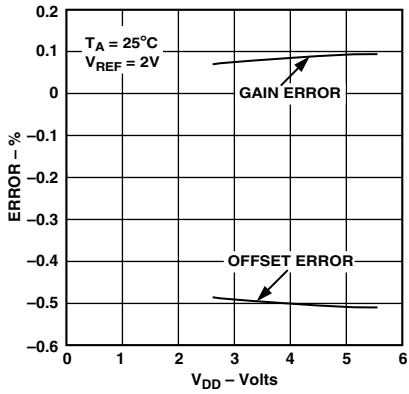


Figure 14. Offset Error and Gain Error vs. V_{DD}

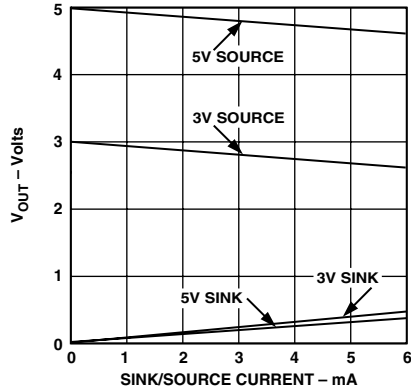


Figure 15. V_{OUT} Source and Sink Current Capability

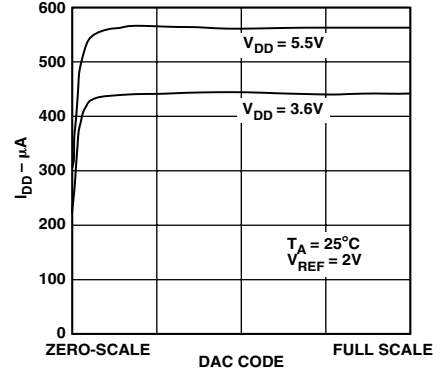


Figure 16. Supply Current vs. DAC Code

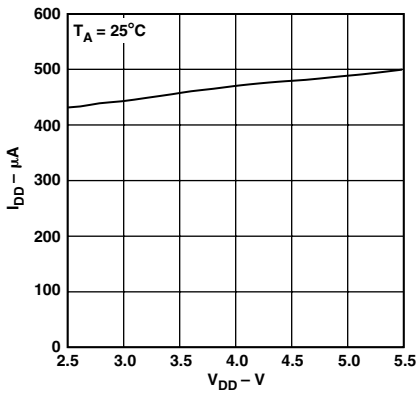


Figure 17. Supply Current vs. Supply Voltage

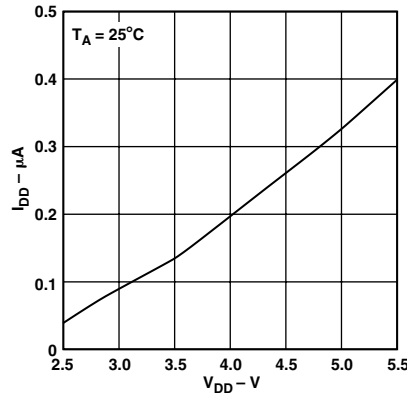


Figure 18. Power-Down Current vs. Supply Voltage

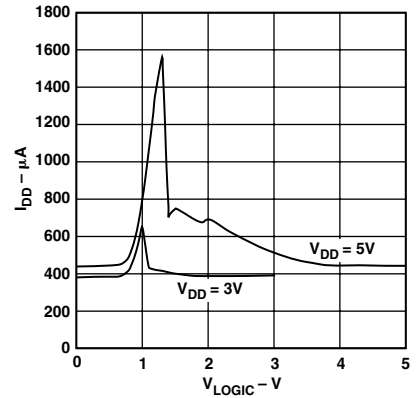


Figure 19. Supply Current vs. Logic Input Voltage

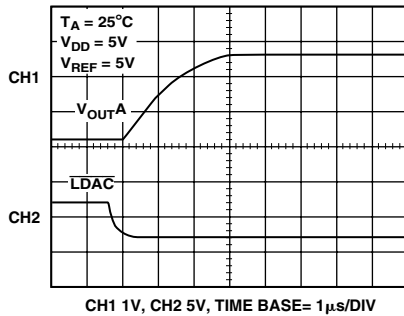


Figure 20. Half-Scale Settling (1/4 to 3/4 Scale Code Change)

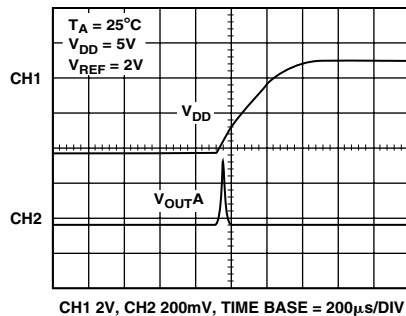


Figure 21. Power-On Reset to 0V

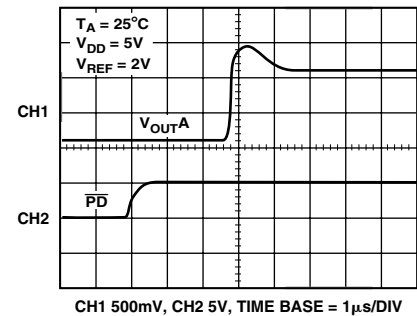


Figure 22. Exiting Power-Down to Midscale

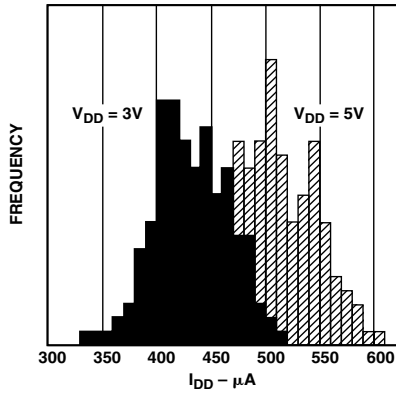


Figure 23. I_{DD} Histogram with $V_{DD} = 3\text{ V}$ and $V_{DD} = 5\text{ V}$

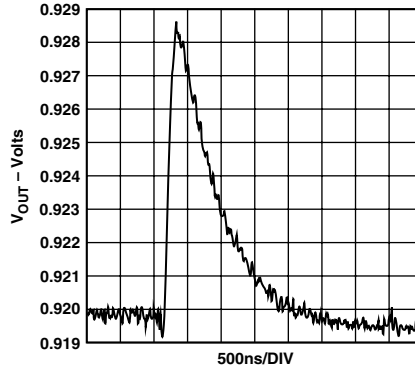


Figure 24. AD5344 Major-Code Transition Glitch Energy

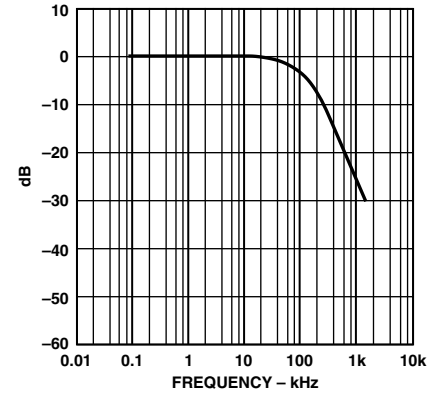


Figure 25. Multiplying Bandwidth (Small-Signal Frequency Response)

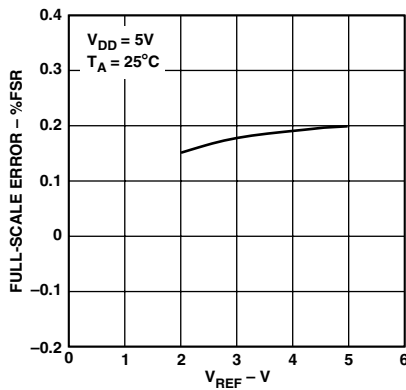


Figure 26. Full-Scale Error vs. V_{REF}

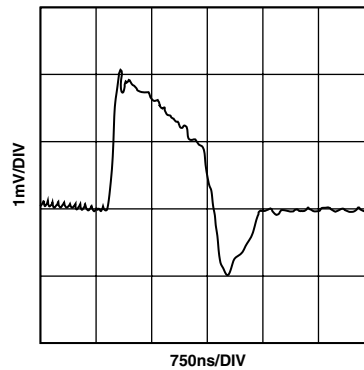


Figure 27. DAC-DAC Crosstalk

FUNCTIONAL DESCRIPTION

The AD5334/AD5335/AD5336/AD5344 are quad resistor-string DACs fabricated on a CMOS process with resolutions of 8, 10, 10, and 12 bits, respectively. They are written to using a parallel interface. They operate from single supplies of 2.5 V to 5.5 V and the output buffer amplifiers offer rail-to-rail output swing. The gain of the buffer amplifiers in the AD5334 and AD5336 can be set to 1 or 2 to give an output voltage range of 0 to V_{REF} or 0 to $2 V_{REF}$. The AD5335 and AD5344 have output buffers with unity gain.

The devices have a power-down feature that reduces current consumption to only 80 nA @ 3 V.

Digital-to-Analog Section

The architecture of one DAC channel consists of a reference buffer and a resistor-string DAC followed by an output buffer amplifier. The voltage at the V_{REF} pin provides the reference voltage for the DAC. Figure 28 shows a block diagram of the DAC architecture. Since the input coding to the DAC is straight binary, the ideal output voltage is given by:

$$V_{OUT} = V_{REF} \times \frac{D}{2^N} \times Gain$$

where:

D = decimal equivalent of the binary code which is loaded to the DAC register:

- 0–255 for AD5334 (8 Bits)
- 0–1023 for AD5335/AD5336 (10 Bits)
- 0–4095 for AD5344 (12 Bits)

N = DAC resolution

Gain = Output Amplifier Gain (1 or 2)

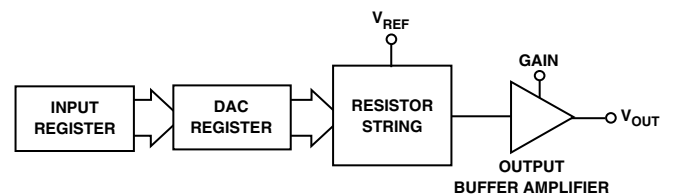


Figure 28. Single DAC Channel Architecture

AD5334/AD5335/AD5336/AD5344

Resistor String

The resistor string section is shown in Figure 29. It is simply a string of resistors, each of value R . The digital code loaded to the DAC register determines at what node on the string the voltage is tapped off to be fed into the output amplifier. The voltage is tapped off by closing one of the switches connecting the string to the amplifier. Because it is a string of resistors, it is guaranteed monotonic.

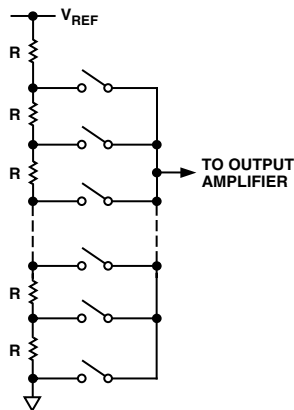


Figure 29. Resistor String

DAC Reference Input

The DACs operate with an external reference. The reference inputs are unbuffered and have an input range of 0.25 V to V_{DD} . The impedance per DAC is typically 180 k Ω for 0– V_{REF} mode and 90 k Ω for 0–2 V_{REF} mode. The AD5336 and AD5344 have separate reference inputs for each DAC, while the AD5334 and AD5335 have a reference inputs for each pair of DACs (A/B and C/D).

Output Amplifier

The output buffer amplifier is capable of generating output voltages to within 1 mV of either rail. Its actual range depends on V_{REF} , GAIN, the load on V_{OUT} , and offset error.

If a gain of 1 is selected (GAIN = 0), the output range is 0.001 V to V_{REF} .

If a gain of 2 is selected (GAIN = 1), the output range is 0.001 V to 2 V_{REF} . However because of clamping the maximum output is limited to $V_{DD} - 0.001$ V.

The output amplifier is capable of driving a load of 2 k Ω to GND or V_{DD} , in parallel with 500 pF to GND or V_{DD} . The source and sink capabilities of the output amplifier can be seen in Figure 15.

The slew rate is 0.7 V/ μ s with a half-scale settling time to ± 0.5 LSB (at 8 bits) of 6 μ s with the output unloaded. See Figure 20.

PARALLEL INTERFACE

The AD5334, AD5336, and AD5344 load their data as a single 8-, 10-, or 12-bit word, while the AD5335 loads data as a low byte of 8 bits and a high byte containing 2 bits.

Double-Buffered Interface

The AD5334/AD5335/AD5336/AD5344 DACs all have double-buffered interfaces consisting of an input register and a DAC register. DAC data and GAIN inputs (when available) are written to the input register under control of the Chip Select (\overline{CS}) and Write (\overline{WR}).

Access to the DAC register is controlled by the \overline{LDAC} function. When \overline{LDAC} is high, the DAC register is latched and the input register may change state without affecting the contents of the DAC register. However, when \overline{LDAC} is brought low, the DAC register becomes transparent and the contents of the input register are transferred to it. The gain control signal is also double-buffered and is only updated when \overline{LDAC} is taken low.

This is useful if the user requires simultaneous updating of all DACs and peripherals. The user may write to all input registers individually and then, by pulsing the \overline{LDAC} input low, all outputs will update simultaneously.

Double-buffering is also useful where the DAC data is loaded in two bytes, as in the AD5335, because it allows the whole data word to be assembled in parallel before updating the DAC register. This prevents spurious outputs that could occur if the DAC register were updated with only the high byte or the low byte.

These parts contain an extra feature whereby the DAC register is not updated unless its input register has been updated since the last time that \overline{LDAC} was brought low. Normally, when \overline{LDAC} is brought low, the DAC registers are filled with the contents of the input registers. In the case of the AD5334/AD5335/AD5336/AD5344, the part will only update the DAC register if the input register has been changed since the last time the DAC register was updated. This removes unnecessary crosstalk.

Clear Input (\overline{CLR})

\overline{CLR} is an active low, asynchronous clear that resets the input and DAC registers. Note that the AD5344 has no \overline{CLR} function.

Chip Select Input (\overline{CS})

\overline{CS} is an active low input that selects the device.

Write Input (\overline{WR})

\overline{WR} is an active low input that controls writing of data to the device. Data is latched into the input register on the rising edge of \overline{WR} .

Load DAC Input (\overline{LDAC})

\overline{LDAC} transfers data from the input register to the DAC register (and hence updates the outputs). Use of the \overline{LDAC} function enables double buffering of the DAC and GAIN data. There are two \overline{LDAC} modes:

Synchronous Mode: In this mode the DAC register is updated after new data is read in on the rising edge of the \overline{WR} input. \overline{LDAC} can be tied permanently low or pulsed as in Figure 1.

Asynchronous Mode: In this mode the outputs are not updated at the same time that the input register is written to. When \overline{LDAC} goes low the DAC register is updated with the contents of the input register.

High-Byte Enable Input (HBEN)

High-Byte Enable is a control input on the AD5335 only that determines if data is written to the high-byte input register or the low-byte input register.

The low data byte of the AD5335 consists of data bits 0 to 7 at data inputs DB_0 to DB_7 , while the high byte consists of Data Bits 8 and 9 at data inputs DB_0 and DB_1 . DB_2 to DB_7 are ignored during a high byte write. See Figure 30.

AD5334/AD5335/AD5336/AD5344

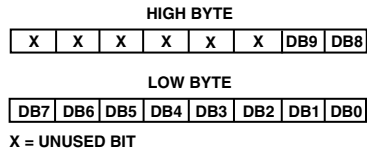


Figure 30. Data Format For AD5335

POWER-ON RESET

The AD5334/AD5335/AD5336/AD5344 are provided with a power-on reset function, so that they power up in a defined state. The power-on state is:

- Normal operation
- $0 - V_{REF}$ output range
- Output voltage set to 0 V

Both input and DAC registers are filled with zeros and remain so until a valid write sequence is made to the device. This is particularly useful in applications where it is important to know the state of the DAC outputs while the device is powering up.

POWER-DOWN MODE

The AD5334/AD5335/AD5336/AD5344 have low power consumption, dissipating typically 1.5 mW with a 3 V supply and 3 mW with a 5 V supply. Power consumption can be further reduced when the DACs are not in use by putting them into power-down mode, which is selected by taking pin \overline{PD} low.

When the \overline{PD} pin is high, the DACs work normally with a typical power consumption of 600 μ A at 5 V (500 μ A at 3 V). In power-down mode, however, the supply current falls to 200 nA at 5 V (80 nA at 3 V) when the DACs are powered down. Not only does the supply current drop, but the output stage is also internally switched from the output of the amplifier, making it open-circuit. This has the advantage that the outputs are three-state while the part is in power-down mode, and provides a defined input condition for whatever is connected to the outputs of the DAC amplifiers. The output stage is illustrated in Figure 31.

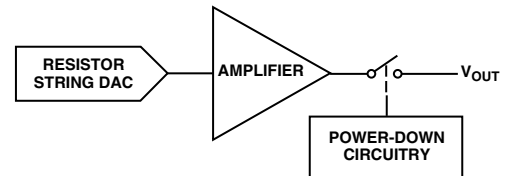


Figure 31. Output Stage During Power-Down

The bias generator, the output amplifier, the resistor string, and all other associated linear circuitry are all shut down when the power-down mode is activated. However, the contents of the registers are unaffected when in power-down. The time to exit power-down is typically 2.5 μ s for $V_{DD} = 5$ V and 5 μ s when $V_{DD} = 3$ V. This is the time from a rising edge on the \overline{PD} pin to when the output voltage deviates from its power-down voltage. See Figure 22.

Table I. AD5334/AD5336/AD5344 Truth Table

| \overline{CLR} | \overline{LDAC} | \overline{CS} | \overline{WR} | A1 | A0 | Function |
|------------------|-------------------|-----------------|-------------------|----|----|---------------------------------------------------|
| 1 | 1 | 1 | X | X | X | No Data Transfer |
| 1 | 1 | X | 1 | X | X | No Data Transfer |
| 0 | X | X | X | X | X | Clear All Registers |
| 1 | 1 | 0 | 0 \rightarrow 1 | 0 | 0 | Load DAC A Input Register, GAIN A (AD5334/AD5336) |
| 1 | 1 | 0 | 0 \rightarrow 1 | 0 | 1 | Load DAC B Input Register, GAIN B (AD5334/AD5336) |
| 1 | 1 | 0 | 0 \rightarrow 1 | 1 | 0 | Load DAC C Input Register, GAIN C (AD5334/AD5336) |
| 1 | 1 | 0 | 0 \rightarrow 1 | 1 | 1 | Load DAC D Input Register, GAIN D (AD5334/AD5336) |
| 1 | 0 | X | X | X | X | Update DAC Registers |

X = don't care.

Table II. AD5335 Truth Table

| \overline{CLR} | \overline{LDAC} | \overline{CS} | \overline{WR} | A1 | A0 | HBEN | Function |
|------------------|-------------------|-----------------|-------------------|----|----|------|-------------------------------------|
| 1 | 1 | 1 | X | X | X | X | No Data Transfer |
| 1 | 1 | X | 1 | X | X | X | No Data Transfer |
| 0 | X | X | X | X | X | X | Clear All Registers |
| 1 | 1 | 0 | 0 \rightarrow 1 | 0 | 0 | 0 | Load DAC A Low Byte Input Register |
| 1 | 1 | 0 | 0 \rightarrow 1 | 0 | 0 | 1 | Load DAC A High Byte Input Register |
| 1 | 1 | 0 | 0 \rightarrow 1 | 0 | 1 | 0 | Load DAC B Low Byte Input Register |
| 1 | 1 | 0 | 0 \rightarrow 1 | 0 | 1 | 1 | Load DAC B High Byte Input Register |
| 1 | 1 | 0 | 0 \rightarrow 1 | 1 | 0 | 0 | Load DAC C Low Byte Input Register |
| 1 | 1 | 0 | 0 \rightarrow 1 | 1 | 0 | 1 | Load DAC C High Byte Input Register |
| 1 | 1 | 0 | 0 \rightarrow 1 | 1 | 1 | 0 | Load DAC D Low Byte Input Register |
| 1 | 1 | 0 | 0 \rightarrow 1 | 1 | 1 | 1 | Load DAC D High Byte Input Register |
| 1 | 0 | X | X | X | X | X | Update DAC Registers |

X = don't care.

Decoding Multiple AD5334/AD5335/AD5336/AD5344

The \overline{CS} pin on these devices can be used in applications to decode a number of DACs. In this application, all DACs in the system receive the same data and \overline{WR} pulses, but only the \overline{CS} to one of the DACs will be active at any one time, so data will only be written to the DAC whose \overline{CS} is low. If multiple AD5343s are being used, a common HBEN line will also be required to determine if the data is written to the high-byte or low-byte register of the selected DAC.

The 74HC139 is used as a 2- to 4-line decoder to address any of the DACs in the system. To prevent timing errors from occurring, the enable input should be brought to its inactive state while the coded address inputs are changing state. Figure 36 shows a diagram of a typical setup for decoding multiple devices in a system. Once data has been written sequentially to all DACs in a system, all the DACs can be updated simultaneously using a common LDAC line. A common CLR line can also be used to reset all DAC outputs to zero (except on the AD5344).

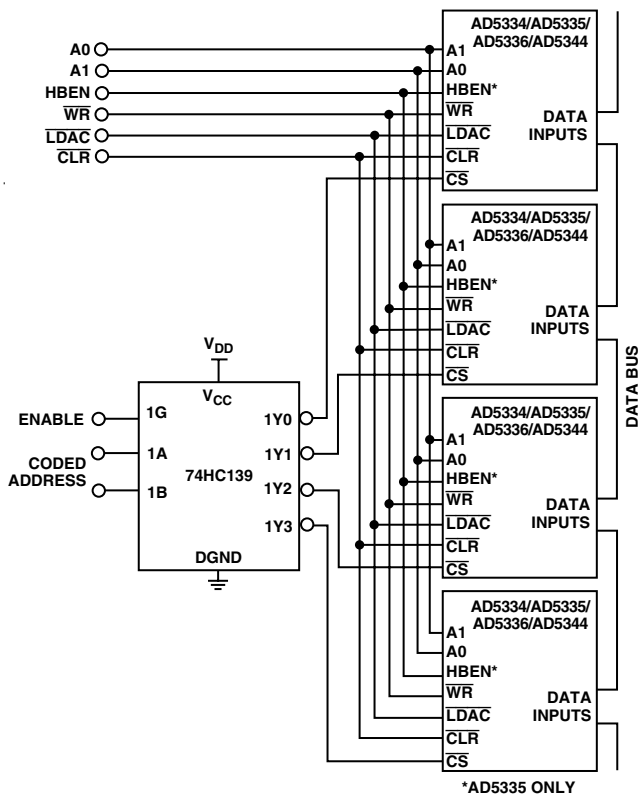


Figure 36. Decoding Multiple DAC Devices

AD5334/AD5335/AD5336/AD5344 as a Digitally Programmable Window Detector

A digitally programmable upper/lower limit detector using two of the DACs in the AD5334/AD5335/AD5336/AD5344 is shown in Figure 37.

Any pair of DACs in the device may be used, but for simplicity the description will refer to DACs A and B.

Care must be taken to connect the correct reference inputs to the reference source. The AD5334 and AD5335 have only two reference inputs, $V_{REFA/B}$ for DACs A and B and $V_{REFC/D}$ for DACs C and D. If DACs A and B are used (for example) then only $V_{REFA/B}$ is needed. DACs C and D and $V_{REFC/D}$ may be

used for some other purpose. The AD5336 and AD5344 have separate reference inputs for each DAC.

The upper and lower limits for the test are loaded to DACs A and B which, in turn, set the limits on the CMP04. If a signal at the V_{IN} input is not within the programmed window, an LED will indicate the fail condition.

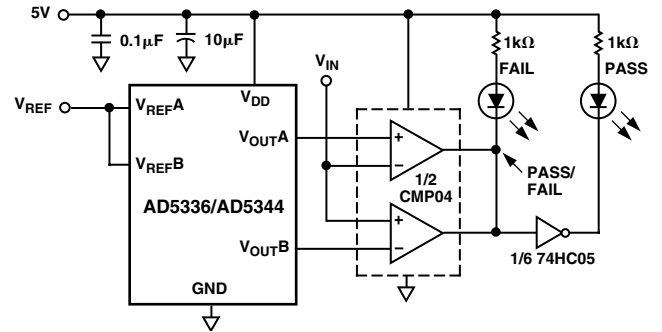


Figure 37. Programmable Window Detector

Programmable Current Source

Figure 38 shows the AD5334/AD5335/AD5336/AD5344 used as the control element of a programmable current source. In this example, the full-scale current is set to 1 mA. The output voltage from the DAC is applied across the current setting resistor of 4.7 kΩ in series with the 470 Ω adjustment potentiometer, which gives an adjustment of about ±5%. Suitable transistors to place in the feedback loop of the amplifier include the BC107 and the 2N3904, which enable the current source to operate from a minimum V_{SOURCE} of 6 V. The operating range is determined by the operating characteristics of the transistor. Suitable amplifiers include the AD820 and the OP295, both having rail-to-rail operation on their outputs. The current for any digital input code and resistor value can be calculated as follows:

$$I = G \times V_{REF} \times \frac{D}{(2^N \times R)} \text{ mA}$$

Where:

G is the gain of the buffer amplifier (1 or 2)

D is the digital input code

N is the DAC resolution (8, 10, or 12 bits)

R is the sum of the resistor plus adjustment potentiometer in kΩ

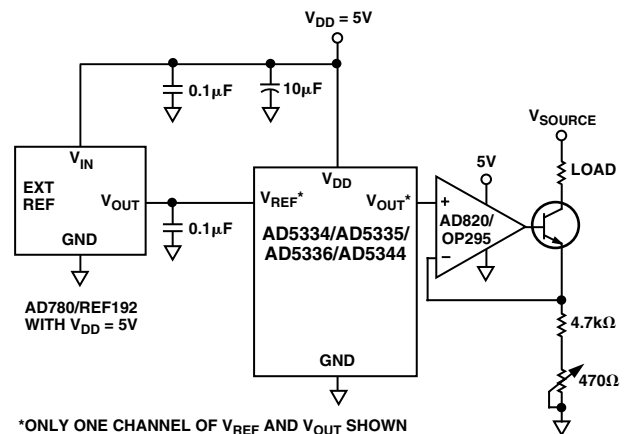


Figure 38. Programmable Current Source

AD5334/AD5335/AD5336/AD5344

Coarse and Fine Adjustment Using the AD5334/AD5335/AD5336/AD5344

Two of the DACs in the AD5334/AD5335/AD5336/AD5344 can be paired together to form a coarse and fine adjustment function, as shown in Figure 39. As with the window comparator previously described, the description will refer to DACs A, and B and the reference connections will depend on the actual device used.

DAC A is used to provide the coarse adjustment while DAC B provides the fine adjustment. Varying the ratio of R1 and R2 will change the relative effect of the coarse and fine adjustments. With the resistor values shown the output amplifier has unity gain for the DAC A output, so the output range is zero to $(V_{REF} - 1 \text{ LSB})$. For DAC B the amplifier has a gain of 7.6×10^{-3} , giving DAC B a range equal to 2 LSBs of DAC A.

The circuit is shown with a 2.5 V reference, but reference voltages up to V_{DD} may be used. The op amps indicated will allow a rail-to-rail output swing.

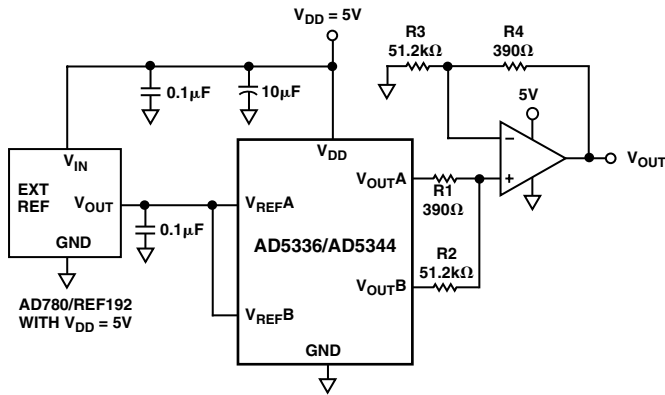


Figure 39. Coarse and Fine Adjustment

Power Supply Bypassing and Grounding

In any circuit where accuracy is important, careful consideration of the power supply and ground return layout helps to ensure the rated performance. The printed circuit board on which the AD5334/AD5335/AD5336/AD5344 is mounted should be designed so that the analog and digital sections are separated, and confined to certain areas of the board. If the device is in a system where multiple devices require an AGND-to-DGND connection, the connection should be made at one point only. The star ground point should be established as closely as possible to the device. The AD5334/AD5335/AD5336/AD5344 should have ample supply bypassing of $10 \mu\text{F}$ in parallel with $0.1 \mu\text{F}$ on the supply located as close to the package as possible, ideally right up against the device. The $10 \mu\text{F}$ capacitors are the tantalum bead type. The $0.1 \mu\text{F}$ capacitor should have low Effective Series Resistance (ESR) and Effective Series Inductance (ESI), like the common ceramic types that provide a low impedance path to ground at high frequencies to handle transient currents due to internal logic switching.

The power supply lines of the device should use as large a trace as possible to provide low impedance paths and reduce the effects of glitches on the power supply line. Fast switching signals such as clocks should be shielded with digital ground to avoid radiating noise to other parts of the board, and should never be run near the reference inputs. Avoid crossover of digital and analog signals. Traces on opposite sides of the board should run at right angles to each other. This reduces the effects of feedthrough through the board. A microstrip technique is by far the best, but not always possible with a double-sided board. In this technique, the component side of the board is dedicated to ground plane while signal traces are placed on the solder side.

AD5334/AD5335/AD5336/AD5344

Table III. Overview of AD53xx Parallel Devices

| Part No. | Resolution | DNL | V _{REF} Pins | Settling Time | Additional Pin Functions | | | | Package | Pins |
|----------------|------------|-------|-----------------------|---------------|--------------------------|------|------|-----|---------|------|
| | | | | | BUF | GAIN | HBEN | CLR | | |
| SINGLES | | | | | | | | | | |
| AD5330 | 8 | ±0.25 | 1 | 6 μs | ✓ | ✓ | | ✓ | TSSOP | 20 |
| AD5331 | 10 | ±0.5 | 1 | 7 μs | | ✓ | | ✓ | TSSOP | 20 |
| AD5340 | 12 | ±1.0 | 1 | 8 μs | ✓ | ✓ | | ✓ | TSSOP | 24 |
| AD5341 | 12 | ±1.0 | 1 | 8 μs | ✓ | ✓ | ✓ | ✓ | TSSOP | 20 |
| DUALS | | | | | | | | | | |
| AD5332 | 8 | ±0.25 | 2 | 6 μs | | | | ✓ | TSSOP | 20 |
| AD5333 | 10 | ±0.5 | 2 | 7 μs | ✓ | ✓ | | ✓ | TSSOP | 24 |
| AD5342 | 12 | ±1.0 | 2 | 8 μs | ✓ | ✓ | | ✓ | TSSOP | 28 |
| AD5343 | 12 | ±1.0 | 1 | 8 μs | | | ✓ | ✓ | TSSOP | 20 |
| QUADS | | | | | | | | | | |
| AD5334 | 8 | ±0.25 | 2 | 6 μs | | ✓ | | ✓ | TSSOP | 24 |
| AD5335 | 10 | ±0.5 | 2 | 7 μs | | | ✓ | ✓ | TSSOP | 24 |
| AD5336 | 10 | ±0.5 | 4 | 7 μs | | ✓ | | ✓ | TSSOP | 28 |
| AD5344 | 12 | ±1.0 | 4 | 8 μs | | | | ✓ | TSSOP | 28 |

Table IV. Overview of AD53xx Serial Devices

| Part No. | Resolution | No. of DACS | DNL | Interface | Settling Time | Package | Pins |
|----------------|------------|-------------|-------|-----------|---------------|-------------------|------|
| SINGLES | | | | | | | |
| AD5300 | 8 | 1 | ±0.25 | SPI | 4 μs | SOT-23, MicroSOIC | 6, 8 |
| AD5310 | 10 | 1 | ±0.5 | SPI | 6 μs | SOT-23, MicroSOIC | 6, 8 |
| AD5320 | 12 | 1 | ±1.0 | SPI | 8 μs | SOT-23, MicroSOIC | 6, 8 |
| AD5301 | 8 | 1 | ±0.25 | 2-Wire | 6 μs | SOT-23, MicroSOIC | 6, 8 |
| AD5311 | 10 | 1 | ±0.5 | 2-Wire | 7 μs | SOT-23, MicroSOIC | 6, 8 |
| AD5321 | 12 | 1 | ±1.0 | 2-Wire | 8 μs | SOT-23, MicroSOIC | 6, 8 |
| DUALS | | | | | | | |
| AD5302 | 8 | 2 | ±0.25 | SPI | 6 μs | MicroSOIC | 8 |
| AD5312 | 10 | 2 | ±0.5 | SPI | 7 μs | MicroSOIC | 8 |
| AD5322 | 12 | 2 | ±1.0 | SPI | 8 μs | MicroSOIC | 8 |
| AD5303 | 8 | 2 | ±0.25 | SPI | 6 μs | TSSOP | 16 |
| AD5313 | 10 | 2 | ±0.5 | SPI | 7 μs | TSSOP | 16 |
| AD5323 | 12 | 2 | ±1.0 | SPI | 8 μs | TSSOP | 16 |
| QUADS | | | | | | | |
| AD5304 | 8 | 4 | ±0.25 | SPI | 6 μs | MicroSOIC | 10 |
| AD5314 | 10 | 4 | ±0.5 | SPI | 7 μs | MicroSOIC | 10 |
| AD5324 | 12 | 4 | ±1.0 | SPI | 8 μs | MicroSOIC | 10 |
| AD5305 | 8 | 4 | ±0.25 | 2-Wire | 6 μs | MicroSOIC | 10 |
| AD5315 | 10 | 4 | ±0.5 | 2-Wire | 7 μs | MicroSOIC | 10 |
| AD5325 | 12 | 4 | ±1.0 | 2-Wire | 8 μs | MicroSOIC | 10 |
| AD5306 | 8 | 4 | ±0.25 | 2-Wire | 6 μs | TSSOP | 16 |
| AD5316 | 10 | 4 | ±0.5 | 2-Wire | 7 μs | TSSOP | 16 |
| AD5326 | 12 | 4 | ±1.0 | 2-Wire | 8 μs | TSSOP | 16 |
| AD5307 | 8 | 4 | ±0.25 | SPI | 6 μs | TSSOP | 16 |
| AD5317 | 10 | 4 | ±0.5 | SPI | 7 μs | TSSOP | 16 |
| AD5327 | 12 | 4 | ±1.0 | SPI | 8 μs | TSSOP | 16 |

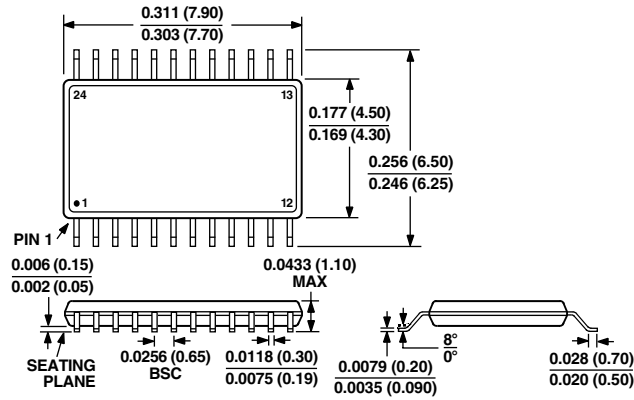
Visit our web-page at http://www.analog.com/support/standard_linear/selection_guides/AD53xx.html

AD5334/AD5335/AD5336/AD5344

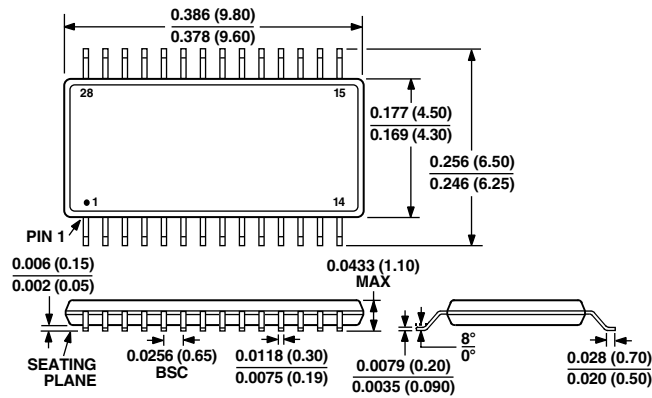
OUTLINE DIMENSIONS

Dimensions shown in inches and (mm).

24-Lead Thin Shrink Small Outline Package TSSOP (RU-24)



28-Lead Thin Shrink Small Outline Package TSSOP (RU-28)



Looking for pricing, stock, or lifecycle information?

Click below to explore more details on WIN SOURCE:

 [View AD5334BRU on WIN SOURCE](#)

 [Analog Devices Inc. Information](#)

Optimize Your Supply Chain with WIN SOURCE Solutions

-  Global Sourcing Solution
-  Obsolete Management
-  Cost Control Management
-  Shortage Management
-  Alternative Solution
-  Excess Inventory Management