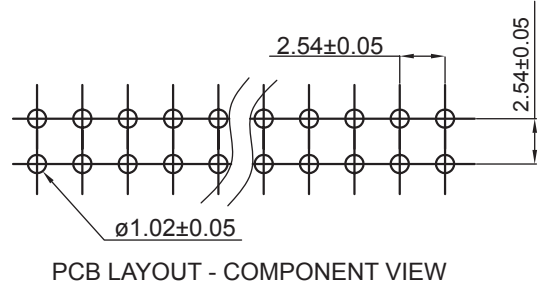
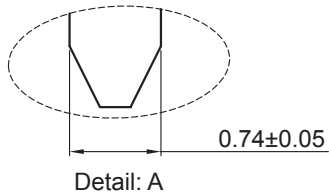




THE DATASHEET OF
61301021821





TECHNICAL CHARACTERISTICS

MATERIAL
 INSULATOR: PBT
 COLOR: BLACK
 CONTACT MATERIAL: COPPER ALLOY
 CONTACT TYPE: STAMPED
 CONTACT PLATING: GOLD
 QUALITY CLASS: 3 AS PER CECC 75 301-802
 PITCH: 2.54 MM

ENVIRONMENTAL
 OPERATING TEMPERATURE: -40 UP TO 125°C
 FLAMABILITY RATING: UL94-V0
 COMPLIANCE: LEAD FREE AND ROHS

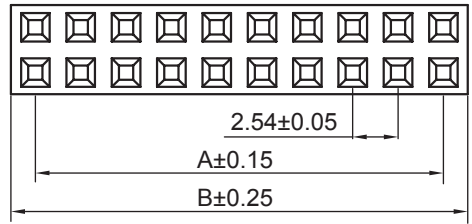
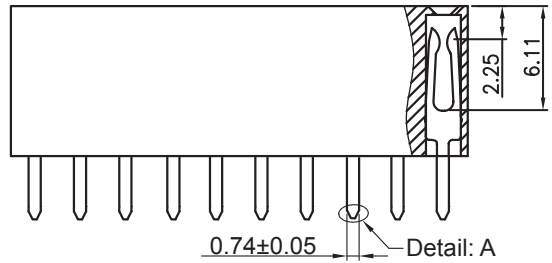
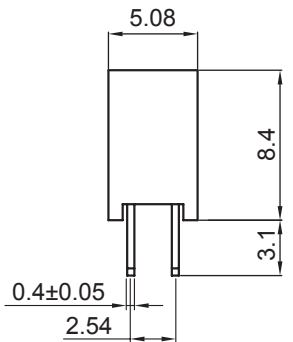
ELECTRICAL
 CURRENT RATING: 3 A
 WORKING VOLTAGE: 250 VAC
 INSULATOR RESISTANCE: >1000 mOHM
 DIELECTRIC WITHSTANDING VOLTAGE: 500 VAC/MN
 CONTACT RESISTANCE: 20 mOHM MAX

STANDARD
 CERTIFIED: E323964

SOLDERING
 JEDEC LEAD FREE WAVE SOLDERING PROCESS

PACKAGING
 TRAY

DIMENSION
 A= 2.54 x (NB. PIN / 2-1)
 B= 2.54 x (NB. PIN / 2) + 0.5



RoHS Compliant				PROJECTION:	GENERAL TOLERANCE		DESCRIPTION: 2.54MM DUAL SOCKET HEADER WERI PART NO: 613 0xx 218 21	SIZE A4
					.X = +/- 0.2 .XX = +/- 0.15			
J	22-APR-16	TPK	AK	APPROVAL: GMo	UNIT: MM	DESCRIPTION: 2.54MM DUAL SOCKET HEADER WERI PART NO: 613 0xx 218 21	SIZE A4	
I	28-AUG-14	DIMENSION	AS		SCALE:			
H	08-APR-13	DIMENSION	AR		SHEET: 1/3			
REV	DATE	FILE	BY		DRAW: PEARL			

Note:

1. 4~6Pin Packing:

Box Size:128(L)x100(W)x15(H) (mm)

Inner Carton Size:254(L)x190(W)x260(H) (mm)

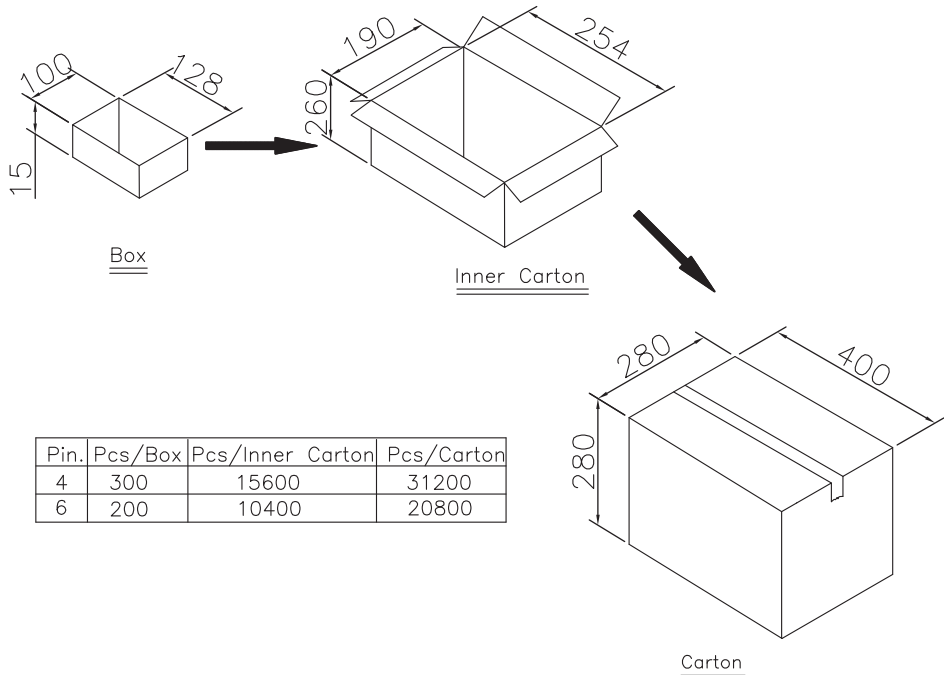
Carton Size:400(L)x280(W)x280(H) mm

2. 8~80Pin Packing

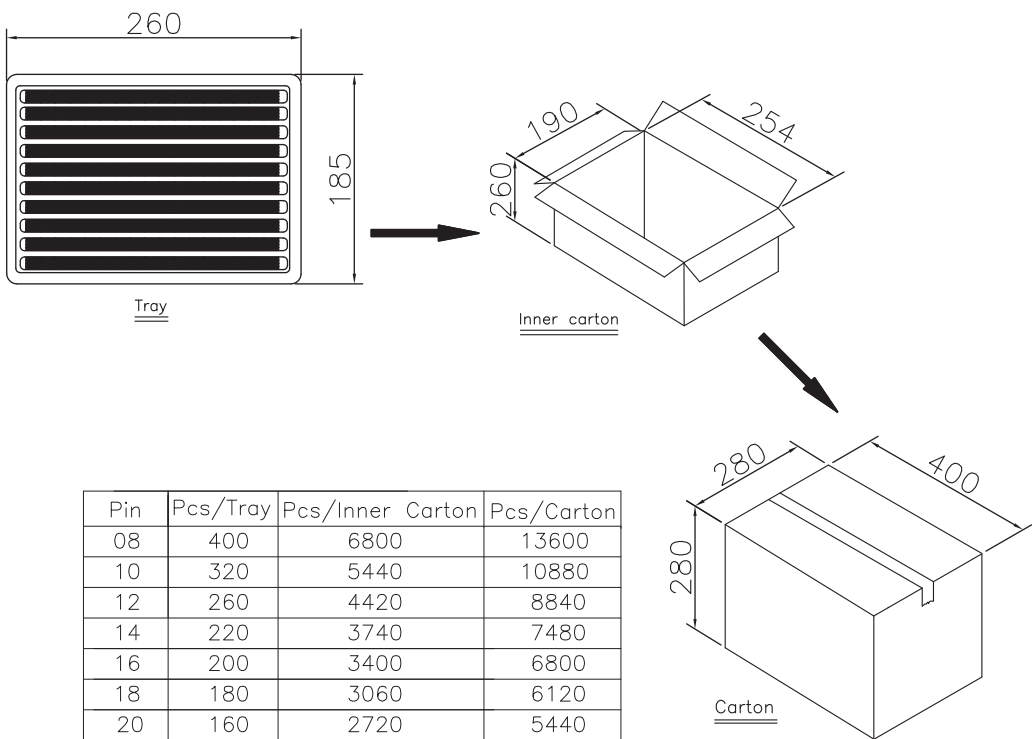
Tray Size:260(L)x185(W)x15.5(H) (mm)

Inner Carton Size:254(L)x190(W)x260(H) (mm)

Carton Size:400(L)x280(W)x280(H) mm

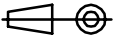


Pin.	Pcs/Box	Pcs/Inner Carton	Pcs/Carton
4	300	15600	31200
6	200	10400	20800




Pin	Pcs/Tray	Pcs/Inner Carton	Pcs/Carton
08	400	6800	13600
10	320	5440	10880
12	260	4420	8840
14	220	3740	7480
16	200	3400	6800
18	180	3060	6120
20	160	2720	5440
22-24	140	2380	4760
26-28	120	2040	4080
30-32	100	1700	3400
34-40	80	1360	2720
42-54	60	1020	2040
56-80	40	680	1360

RoHS Compliant			
G			
F			
E			
D			
C			
B			
A			
REV	DATE	FILE	BY

PROJECTION:

 APPROVAL: Gmo

GENERAL TOLERANCE
 .X = +/- 0.2
 .XX = +/- 0.15
 UNIT: MM
 SCALE:
 SHEET: 2/3
 DRAW: PEARL


DESCRIPTION: 2.54MM DUAL SOCKET HEADER
WERI PART NO: 613 0xx 218 21

SIZE
A4

1

2

3

4

5

Cautions and Warnings:

This electronic component is designed and developed with the intention for use in general electronics equipments.

Before incorporating the components into any equipments in the field such as aerospace, aviation, nuclear control, submarine, transportation, (automotive control, train control, ship control), transportation signal, disaster prevention, medical, public information network etc. where higher safety and reliability are especially required or if there is possibility of direct damage or injury to human body, Würth Elektronik must be asked for a written approval.

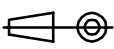

In addition, even electronic component in general electronic equipments, when used in electrical circuits that require high safety, reliability functions or performance, the sufficient reliability evaluation-check for the safety must be performed before by the user before usage.

A

B

C

RoHS Compliant

G				PROJECTION: 	GENERAL TOLERANCE .X = +/- 0.2 .XX = +/- 0.15		
F							
E							
D							
C				APPROVAL: JC	UNIT: MM	DESCRIPTION: DISCLAIMER	SIZE A4
B					SCALE:		
A	10-SEP-14	PDF	QL		SHEET: 3/3	WERI PART NO: DISCLAIMER	
REV	DATE	FILE	BY		DRAW: QL		

D

Looking for pricing, stock, or lifecycle information?

Click below to explore more details on WIN SOURCE:

 [View 61301021821 on WIN SOURCE](#)

 [Wurth Electronics Inc](#) Information

Optimize Your Supply Chain with WIN SOURCE Solutions

-  Global Sourcing Solution
-  Obsolete Management
-  Cost Control Management
-  Shortage Management
-  Alternative Solution
-  Excess Inventory Management