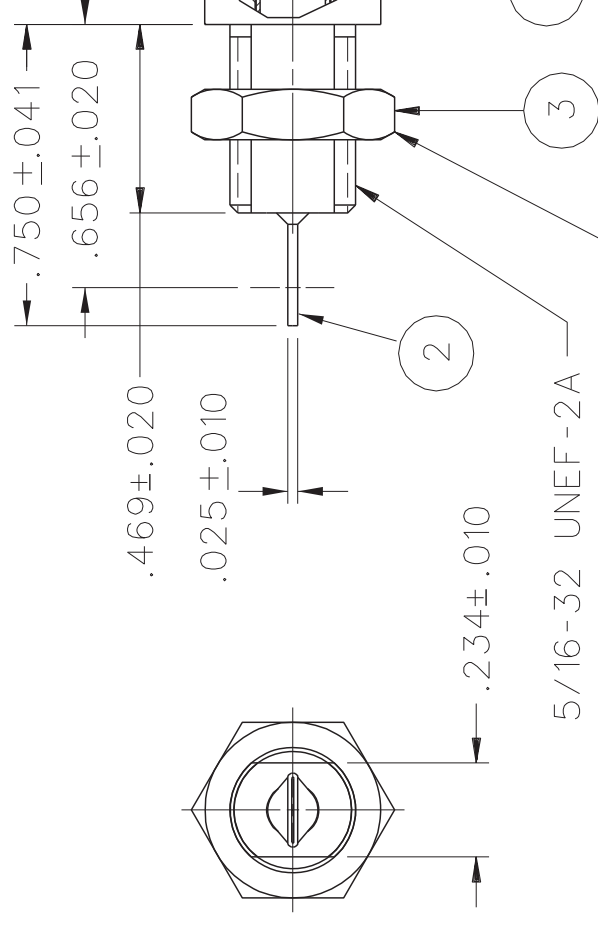
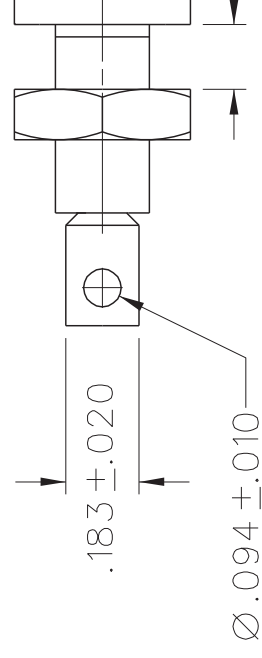




THE DATASHEET OF
108-0902-001



PART NUMBER	ITEM ①		ITEM ②	ITEM ③
	BODY	COLOR		
108-0901-001	NYLON	WHITE	CONTACT	MOUNTING NUT
108-0902-001		RED	BRASS TIN PL .0001 MIN OVER	BRASS NICKEL PL .0001 MIN
108-0903-001		BLACK	NICKEL PL .00005 MIN	
108-0904-001		GREEN		
108-0905-001				
108-0906-001		ORANGE		
108-0907-001		YELLOW		
108-0908-001		BROWN		
108-0909-001				
108-0910-001		BLUE		
108-0911-001				
108-0912-001		VIOLET		
108-0913-001		GRAY		
108-0914-001				
108-0915-001				
108-0916-001				
108-0917-001				
108-0918-001				
108-0919-001				
108-0920-001				



5/16-32 UNEF-2A
.438 HEX REF X .125 THICK REF

NOTES:

SPECIFICATIONS:

ELECTRICAL:

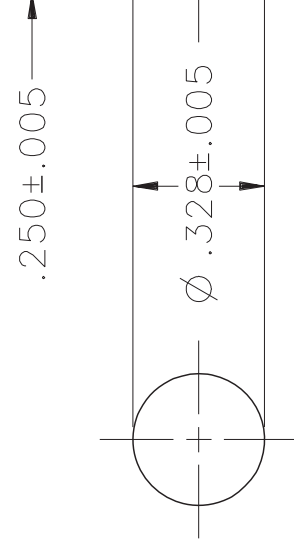
CURRENT RATING: 15 AMPS DC MAXIMUM
DIELECTRIC WITHSTANDING VOLTAGE: 7000 VRMS MINIMUM AT SEA LEVEL
RECOMMENDED WORKING VOLTAGE: 3500 VRMS MAXIMUM AT SEA LEVEL
INSULATION RESISTANCE: 5000 MEGOHMS MINIMUM
CONTACT RESISTANCE: 10 MILLIOHMS MAXIMUM
CAPACITANCE: 2.4 pF NOMINAL

MECHANICAL:

CONTACT RETENTION IN INSULATOR FORCE: 30 LBS MINIMUM
CONTACT RETENTION IN INSULATOR TORQUE: 2 IN OZ MINIMUM
INSULATOR RETENTION IN .062 PANEL FORCE: NOT APPLICABLE
INSULATOR RETENTION IN .062 PANEL TORQUE: NOT APPLICABLE
PLASTIC MOUNTING THREAD STRIPPING TORQUE: 6 IN LB MINIMUM
WIRE ACCEPTABILITY: 12 AWG OR SMALLER
WIRE ATTACHMENT: SOLDER
MATING BANANA PLUG SPRING WIDTH: .175 NOMINAL
DURABILITY: 1000 CYCLES MINIMUM

ENVIRONMENTAL:

(MEETS OR EXCEEDS THE APPLICABLE PARAGRAPH OF MIL-PRF-39024)
OPERATING TEMPERATURE: -55 DEG C TO 85 DEG C
TEMPERATURE RISE AT RATED CURRENT: 10 DEG C MAXIMUM
CORROSION: MIL-STD-1344, METHOD 1001, CONDITION B
SHOCK: MIL-STD-1344, METHOD 2004, CONDITION G
VIBRATION: MIL-STD-1344, METHOD 2005, CONDITION I
HUMIDITY: MIL-STD-1344, METHOD 1002, CONDITION B



MOUNTING HOLE

TOLERANCE UNLESS OTHERWISE SPECIFIED		UNIT
DECIMALS	mm	C
.XX	_____	
.XXX	_____	AP
MATL	_____	
FINISH	_____	RE
		U/A

Looking for pricing, stock, or lifecycle information?

Click below to explore more details on WIN SOURCE:

- [View 108-0902-001 on WIN SOURCE](#)
- [Cinch Connectivity Solutions Information](#)

Optimize Your Supply Chain with WIN SOURCE Solutions

- ✓ Global Sourcing Solution
- ✓ Obsolete Management
- ✓ Cost Control Management
- ✓ Shortage Management
- ✓ Alternative Solution
- ✓ Excess Inventory Management