



**THE DATASHEET OF
PTS526 SK15 SMTR2 LFS**



NEW

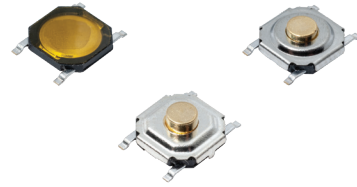
PTS526 Series Microminiature SMT Top Actuated

Features/Benefits

- 5.2 x 5.2 mm footprint
- Variable thickness
- Commercial grade

Typical Applications

- IoT devices
- Home automation
- Remote controls



Specifications

FUNCTION: momentary action
 CONTACT ARRANGEMENT: 1 make contact = SPST N.O.
 TERMINALS: J and G type for SMT
 TRAVEL: 0.25 mm +/- 0.1 mm

Item Description	Operation Force (gf)	Operating Life	Ground Pin
PTS526SM***SMTR2 LFS	160 ± 50	500,000	Without ground pin
PTS526SK***SMTR2 LFS	250 ± 50	200,000	Without ground pin
PTS526SP***SMTR2 LFS	320 ± 50	100,000	Without ground pin
PTS526SMG***SMTR2 LFS	160 ± 50	500,000	With ground pin
PTS526SKG***SMTR2 LFS	250 ± 50	200,000	With ground pin
PTS526SPG***SMTR2 LFS	320 ± 50	100,000	With ground pin
PTS526SM****SMTR21 LFS	160 ± 50	1,000,000	Without ground pin
PTS526SMG****SMTR21 LFS	160 ± 50	1,000,000	With ground pin

* PTS526SX08 SMTR2 LFS 160gf version with 200,000 life cycles

Environmental

OPERATING TEMPERATURE: -40°C to 85°C

Electrical

MAXIMUM VOLTAGE: 12 VDC
 MAXIMUM CURRENT DC: 50 mA
 DIELECTRIC STRENGTH: 250 VA C (1mn)
 CONTACT RESISTANCE: ≤ 100 mΩ initial
 INSULATION RESISTANCE: ≥ 100 MΩ
 BOUNCE TIME: ≤ 10 ms

Process

SOLDERING: This component is suited to the following methods:
 Infrared Reflow Soldering in accordance with IEC61760-1

Packaging

In reels of 5,000 pieces for 0.8 mm height
 In reels of 4,000 pieces for 1.5 ; 1.7 and 2.0 mm height
 Dimensions of reels according to EIA 481B
 External diameter 330 mm

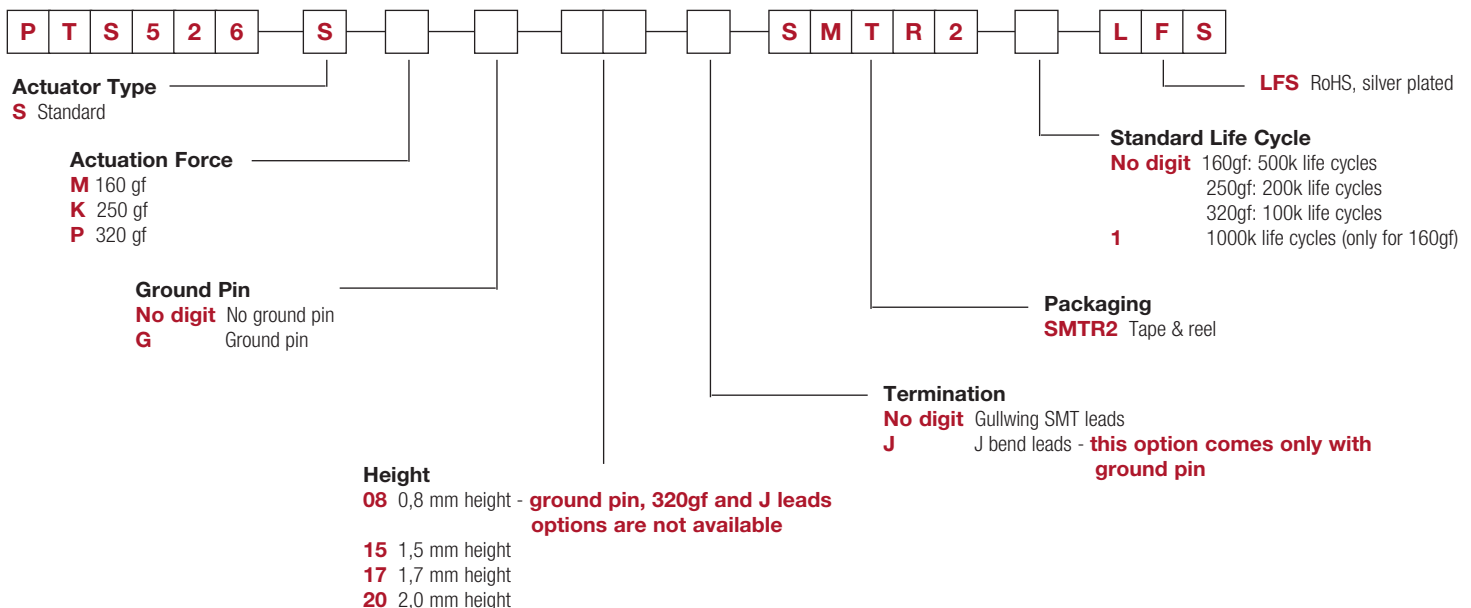
NOTE:

- Specifications listed above are for switches with standard options. For information on specific and custom switches, consult Customer Service Center.
- The PTS series is not certified for using in Automotive application and no PPAP. However, in the case of some automotive accessories and specific applications for 2 and 3 wheeled vehicles the PTS is widely used and very suitable. Please contact your local C&K representative to discuss your application and the best switch solution.

How To Order

Our easy build-a-switch concept allows you to mix and match options to create the switch you need. To order, select desired option from each category and place it in the appropriate box.

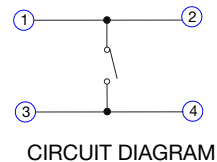
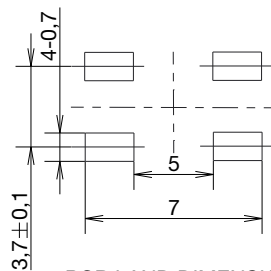
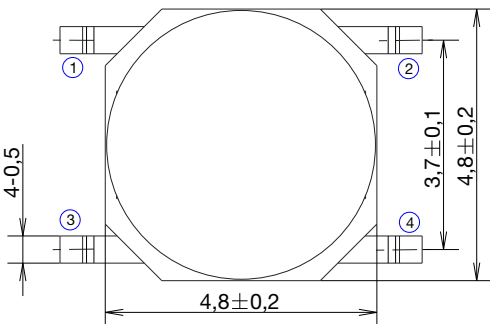
For any part number different from those listed above, please consult your local representative.



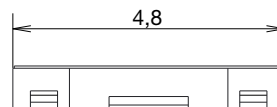
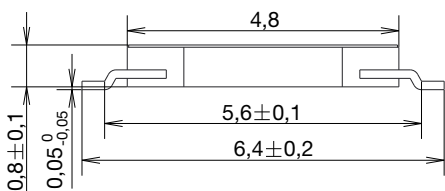
PTS526 Series Microminiature SMT Top Actuated

NEW

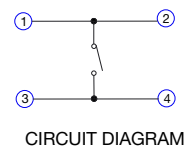
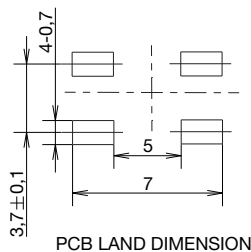
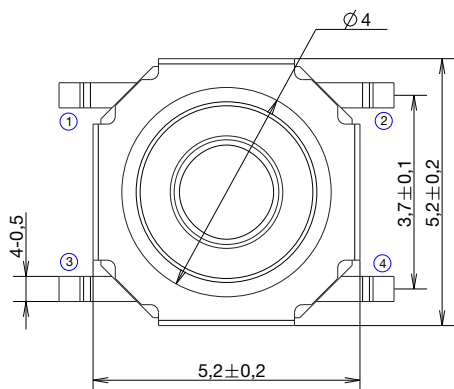
0.8 mm height – G leads lead only, no ground pin



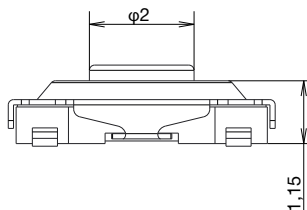
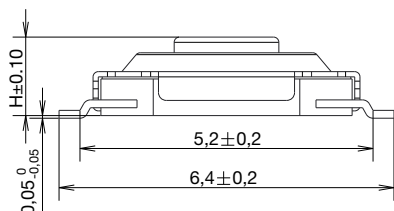
PCB LAND DIMENSION



1.5 ; 1.7 and 2.0 mm height – G leads, no ground pin



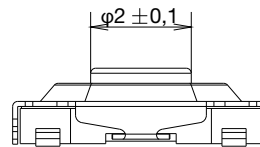
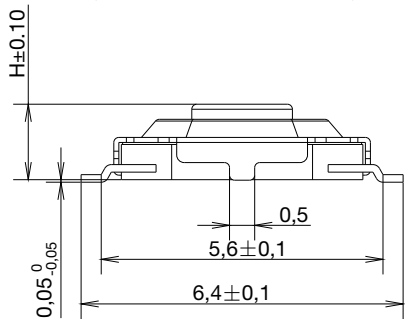
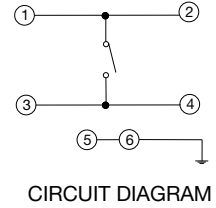
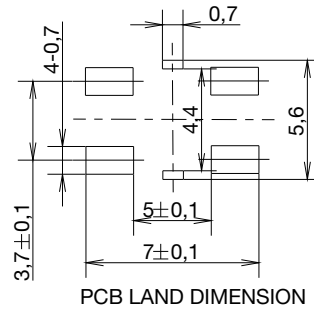
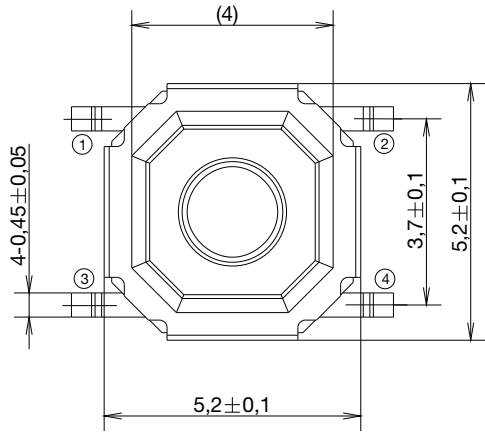
PCB LAND DIMENSION



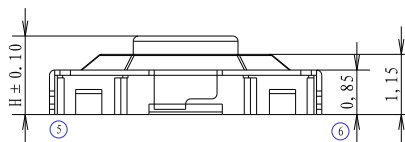
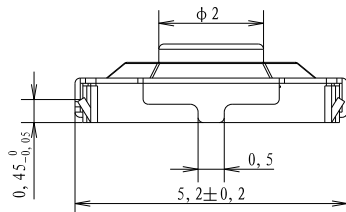
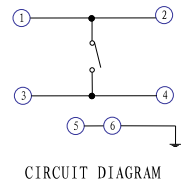
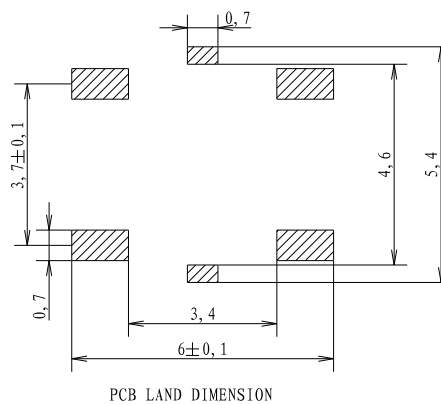
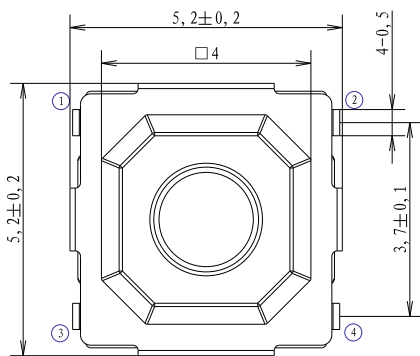
NEW

PTS526 Series Microminiature SMT Top Actuated

1.5 ; 1.7 and 2.0 mm height – G leads, with ground pin





1.5 ; 1.7 and 2.0 mm height – J leads, with ground pin



Looking for pricing, stock, or lifecycle information?

Click below to explore more details on WIN SOURCE:

-  [View PTS526 SK15 SMTR2 LFS](#) on WIN SOURCE
-  [C&K Components](#) Information

Optimize Your Supply Chain with WIN SOURCE Solutions

-  Global Sourcing Solution
-  Obsolete Management
-  Cost Control Management
-  Shortage Management
-  Alternative Solution
-  Excess Inventory Management