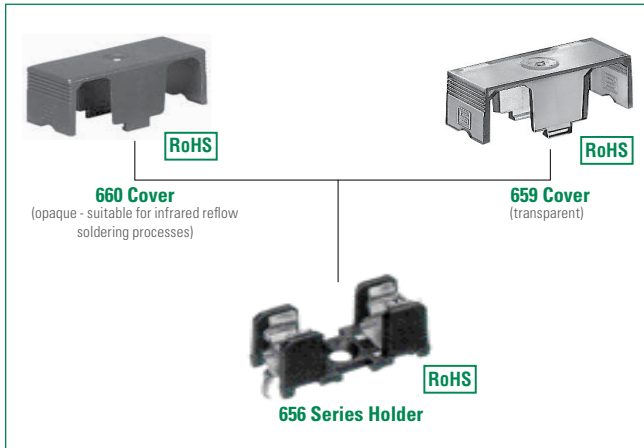




**THE DATASHEET OF**  
**65900000009**



### 656 Series Molded Base PC Mount Fuse Block For 5x20mm Fuses



#### Agency Approval

| Agency | Agency File Number |
|--------|--------------------|
|        | 40001499           |
|        | E70164             |

#### Additional Information



Datasheet

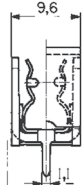
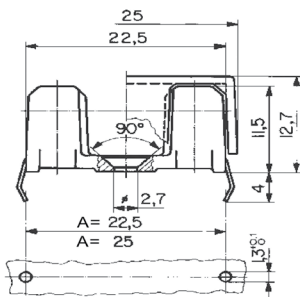


Resources



Samples

#### Dimensions



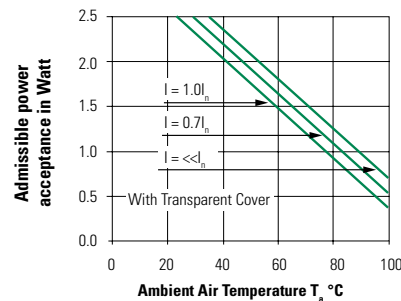
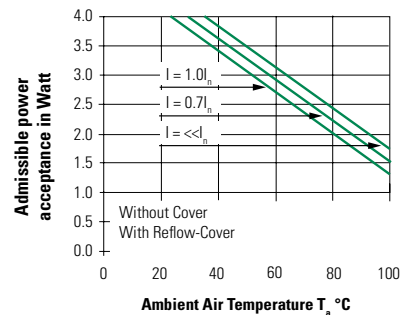
Max. dimension for removal of cover  
Dimensions in Millimeters

#### Product Characteristics

|                                  |  |
|----------------------------------|--|
| <b>Compatible Fuse Size</b>      | <b>5x20mm</b>  |
| <b>Materials</b>                 | <b>Holder:</b> Black Thermoplastic UL94 V-0<br><b>Metal Parts:</b> Tin plated copper alloy   |
| <b>Electrical Data</b>           | <b>Rated Voltage:</b><br>VDE 250 VAC<br>UL 500 VAC/DC<br><b>Rated Current:</b> 16 A (UL)/10 A (VDE)<br><b>Rated Power Acceptance</b> (at ambient air temp 23 °C):<br>- 4 W without cover<br>- 4 W with 660 cover<br>- 2.5 W with 659 cover |
| <b>Mounting</b>                  | 656: Solder pins 0.4mmx1.1mm<br>Ø 2.7mm screw hole may be used optionally  |
| <b>Operating Temperature</b>     | -40 °C to +85 °C   |
| <b>Climatic Category</b>         | 40/085/21 according to IEC 60068-1   |
| <b>Stock Conditions</b>          | 0 °C to 60 °C, at max. 70% relative humidity   |
| <b>Vibration Resistance</b>      | According to IEC 60068-2-6, Test Fc  |
| <b>Contact Resistance</b>        | <5 mΩ  |
| <b>Dielectric Strength</b>       | > 3 kV, 50 Hz, 1 min.  |
| <b>Impulse withstand Voltage</b> | > 4 kV between live parts  |
| <b>Insulation Resistance</b>     | (500 V DC/1 min): >10 MΩ between live parts of different potentials  |
| <b>Solderability</b>             | 245 °C/3 sec. according to IEC 60068-2-20, Test Ta, method 1   |
| <b>Soldering Heat Resistance</b> | 260 °C/10 sec. according to IEC 60068-2-20, test Tb method 1   |
| <b>Minimum Cross Section</b>     | Conducting path - 0.2 mm <sup>2</sup>  |
| <b>Torque/fixing screw</b>       | Max. 0.3 Nm  |

Note: If used with covers, refer to [Fuseology](#) for information on proper fuse block re-rating.

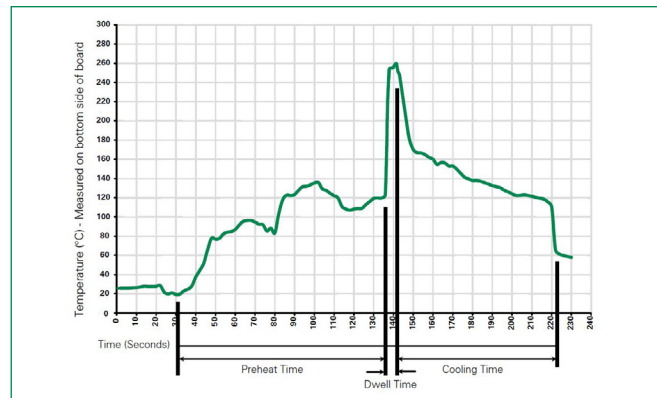
#### Re-rating Curves



### Soldering Parameters—Wave Soldering

| Wave Parameter  | Lead-Free Recommendation          |
|---|-----------------------------------|
| <b>Preheat:</b><br>(Depends on Flex Activation Temperature) | (Typical Industry Recommendation) |
| Temperature Minimum   | 100 °C                            |
| Temperature Maximum   | 150 °C                            |
| Preheat Time  | 60–180 seconds                    |
| <b>Solder Pot Temperature</b>                               | 260 °C Maximum                    |
| <b>Solder Dwell Time</b>                                    | 2–5 seconds                       |

**Recommended Hand-Solder Parameters:**  
 Solder Iron Temperature: 350 °C +/- 5 °C  
 Heating Time: 5 seconds max.



### Ordering Information

| Part Number        | Description   | Packaging           |
|--------------------|---|---------------------|
| <b>65600001009</b> | Fuse Block - "A" dimension 22.5mm   | Bulk Pack (100 Pcs) |
| <b>65600001409</b> | Fuse Block - "A" dimension 25mm   | Bulk Pack (100 Pcs) |
| <b>65900000009</b> | Fuse Holder Cover - Transparent plastic   | Bulk Pack (100 Pcs) |
| <b>66000001009</b> | Fuse Holder Cover - Opaque plastic, suitable for infrared (IR) reflow soldering process | Bulk Pack (100 Pcs) |

## Looking for pricing, stock, or lifecycle information?

Click below to explore more details on WIN SOURCE:

 [View 65900000009 on WIN SOURCE](#)

 [Littelfuse Inc. Information](#)

## Optimize Your Supply Chain with WIN SOURCE Solutions

-  Global Sourcing Solution
-  Obsolete Management
-  Cost Control Management
-  Shortage Management
-  Alternative Solution
-  Excess Inventory Management