



**THE DATASHEET OF  
AL5810QD-13**



## Description

The AL5810Q is an automotive AEC-Q100 linear LED driver offering an excellent temperature and voltage current stability with output adjustable handling capability. The AL5810Q simplifies the design of LED drivers by setting the LED current with an external resistor using standard value resistors.

The AL5810Q has an open-drain output that can swing from 2.0V up to 60V supply voltage enabling it to drive long LED chains for high-side or low-side LED strings. Its low 0.5V  $R_{SET}$  pin is outside of the LED current path and can maintain current accuracy while minimizing the required overheads to regulate the LED current. This reduces its power dissipation when compared to traditional linear LED drivers. It makes it ideal for driving LEDs up to 200mA.

The AL5810Q is available in the wettable flank W-DFN2020-3/SWP (Type A) (2mm x 2mm) package featuring power dissipation ( $P_D$ ) up to 2W and TO252 (DPAK) package with  $P_D$  up to 3.85W. The AL5810Q is qualified to AEC-Q100 Grade 2 with automotive compliance supporting PPAPs.

## Features

- AEC-Q100 Grade 2 Qualified
- 2.0V to 60V Wide Input Voltage Range
- An External Resistor for Setting Current
- Low Reference Voltage ( $V_{RSET} = 0.5V$ )
- Adjustable Sink or Source LED Current up to 200mA/200mA (W-DFN2020-3/SWP (Type A)/TO252 (DPAK))
- $\pm 3\%$  LED Current Tolerance at Room Temperature
- Parallel Devices to Increase Regulated Current
- Overtemperature Shutdown
- $-40^\circ C$  to  $+105^\circ C$  Ambient Temperature Range
- Wettable W-DFN2020-3/SWP (Type A) (2mm x 2mm),  $P_D$  up to 2W; TO252 (DPAK),  $P_D$  up to 3.85W
- **Totally Lead-Free & Fully RoHS Compliant (Notes 1 & 2)**
- **Halogen and Antimony Free. "Green" Device (Note 3)**
- **The AL5810Q is suitable for automotive applications requiring specific change control; this part is AEC-Q100 qualified, PPAP capable, and manufactured in IATF16949 certified facilities.**

<https://www.diodes.com/quality/product-definitions/>

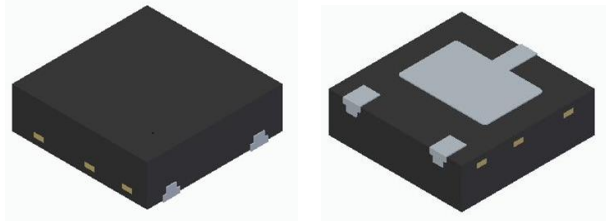
## Applications

- Interior and exterior automotive LED lighting
- Puddle lighting
- Side marker lights
- Automotive mirror turning lights
- LED strings for dome and mood lighting
- Instrumentation illumination

Notes: 1. No purposely added lead. Fully EU Directive 2002/95/EC (RoHS), 2011/65/EU (RoHS 2) & 2015/863/EU (RoHS 3) compliant.  
 2. See <https://www.diodes.com/quality/lead-free/> for more information about Diodes Incorporated's definitions of Halogen- and Antimony-free, "Green" and Lead-free.  
 3. Halogen- and Antimony-free "Green" products are defined as those which contain <900ppm bromine, <900ppm chlorine (<1500ppm total Br + Cl) and <1000ppm antimony compounds.

## Pin Assignments

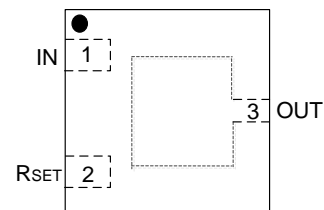
W-DFN2020-3/SWP (Type A)



Top View

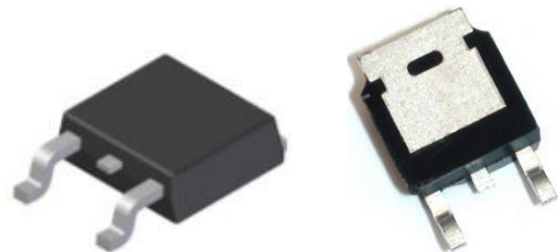
Bottom View

(Top View)



W-DFN2020-3/SWP (Type A)

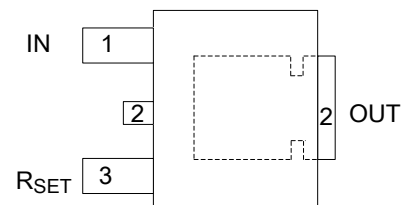
TO252 (DPAK)



Top View

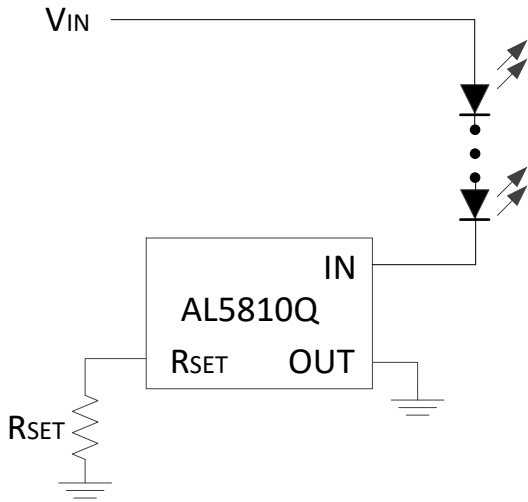
Bottom View

(Top View)

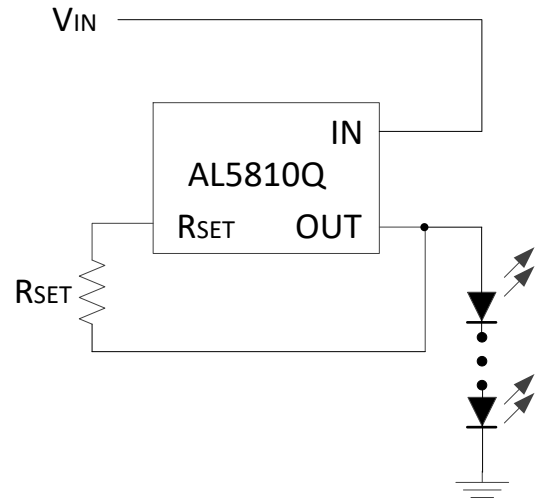


TO252 (DPAK)

**Typical Applications Circuit**



**Figure 1. Low-Side Application**

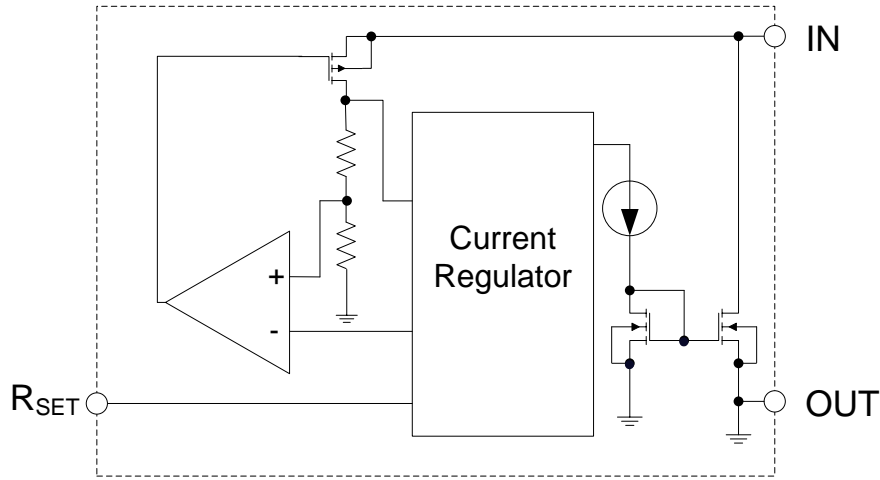


**Figure 2. High-Side Application**

**Pin Descriptions**

Pin Name	Pin Number		Function
	W-DFN2020-3/SWP (Type A)	TO252 (DPAK)	
IN	1	1	LED Current Input Terminal Current flows <b>IN</b> to this pin. For low-side application, connect the LED cathode terminal to the IN terminal. For high-side application, connect VIN to the IN terminal.
RSET	2	3	LED Current Setting Pin For low-side application, connect a resistor from this pin to GND. For high-side application, connect a resistor in between the RSET and OUT terminal.  LED current is determined by this equation: $I_{LED} = 750 / R_{SET}$
OUT	3	2	LED Current Output Terminal Current flows <b>OUT</b> of this pin. For low-side application, connect the OUT terminal to GND. For high-side application, connect the LED anode terminal to the OUT terminal.

**Functional Block Diagram**



**Figure 3. Functional Block Diagram**

**Absolute Maximum Ratings** (@T<sub>A</sub> = +25°C, unless otherwise specified.)

Symbol	Parameters	Ratings	Unit
V <sub>INOUT</sub>	IN Pin Voltage Relative to OUT Pin	-0.3 to +66	V
V <sub>RSET</sub>	R <sub>SET</sub> Pin Voltage Relative to OUT Pin	-0.3 to +6	V
I <sub>INOUT</sub>	LED Current from IN to OUT	250	mA
ESD HBM	Human Body Model ESD Protection	4,000	V
ESD CDM	Charged Device Model ESD Protection	1,000	V
T <sub>J</sub>	Operating Junction Temperature	-40 to +150	°C
T <sub>ST</sub>	Storage Temperature	-55 to +150	°C

Caution: Stresses greater than those listed under *Absolute Maximum Ratings* can cause permanent damage to the device. These are stress ratings only, and functional operation of the device at these or any other conditions beyond those indicated under *Recommended Operating Conditions* is not implied. Exposure to *Absolute Maximum Ratings* for extended periods can affect device reliability. Semiconductor devices are ESD sensitive and may be damaged by exposure to ESD events. Suitable ESD precautions should be taken when handling and transporting these devices.

**Package Thermal Data**

Package	θ <sub>Jc</sub> Thermal Resistance Junction-to-Case	θ <sub>JA</sub> Thermal Resistance Junction-to-Ambient	P <sub>D</sub> T <sub>A</sub> = +25°C, T <sub>J</sub> = +150°C
W-DFN2020-3/SWP (Type A)	10.76°C/W	61.66°C/W (Note 4)	2W
TO252 (DPAK)	2.81°C/W	31.46°C/W (Note 4)	3.85W

Note: 4. Test condition: device mounted on FR-4 PCB (51mm x 51mm 2oz copper, minimum recommended pad layout on top layer and thermal vias to bottom layer with maximum area ground plane. For better thermal performance, larger copper pad for heatsink is needed.

**Recommended Operating Conditions** (@ $T_A = +25^\circ\text{C}$ , unless otherwise specified.)

Symbol	Parameter	Min	Max	Unit
$V_{\text{INOUT}}$	IN Voltage Range Relative to OUT Pin	2.5	60	V
$I_{\text{INOUT}}$	LED Current (Notes 5 & 6)	1	200	mA
$t_{\text{PWM(ON)}}$	PWM Pulse Width in Dimming Mode On-Time	500	—	$\mu\text{s}$
$t_{\text{PWM(OFF)}}$	PWM Pulse Width in Dimming Mode Off-Time	500	—	$\mu\text{s}$
$T_J$	Operating Junction Temperature Range (Note 7)	-40	+150	$^\circ\text{C}$
$T_A$	Operating Ambient Temperature Range AEC-Q100 Grade 2 (Note 7)	-40	+105	$^\circ\text{C}$

**Electrical Characteristics** (@ $T_A = +25^\circ\text{C}$ ,  $V_{\text{INOUT}} = 3.5\text{V}$  (Note 8),  $R_{\text{SET}} = 7.5\text{k}\Omega$ , unless otherwise specified.)

Symbol	Parameter	Conditions	Min	Typ	Max	Unit		
$V_{\text{INOUT}}$	In-Out Supply Voltage	$I_{\text{OUT}} \geq 100\text{mA}$ (Note 9)	$T_A = -40^\circ\text{C}$ to $+105^\circ\text{C}$	2.5	—	60	V	
		$I_{\text{OUT}} < 100\text{mA}$ (Note 9)		2.0	—	60	V	
$V_{\text{RSET}}$	$R_{\text{SET}}$ Voltage	—	$T_A = -40^\circ\text{C}$ to $+105^\circ\text{C}$	—	0.5	—	V	
$I_{\text{INOUT}}$	INOUT Current Accuracy	$R_{\text{SET}} = 3.75\text{k}\Omega$	$T_A = +25^\circ\text{C}$	186	200	222	mA	
				$R_{\text{SET}} = 5\text{k}\Omega$	141	150		163
				$R_{\text{SET}} = 7.5\text{k}\Omega$	95	100		105
		$R_{\text{SET}} = 7.5\text{k}\Omega$	$T_A = -40^\circ\text{C}$ to $+105^\circ\text{C}$	92	100	108		
				$R_{\text{SET}} = 15\text{k}\Omega$	43	50		56
				$R_{\text{SET}} = 75\text{k}\Omega$	6	10		14
$R_{\text{SET}} = 150\text{k}\Omega$	3	5	7					
$I_{\text{TEMCO}}$	Temperature Coefficient of Current Accuracy	$I_{\text{OUT}} = 100\text{mA}$	$T_A = -40^\circ\text{C}$ to $+105^\circ\text{C}$	—	1	—	%	
$I_{\text{LINE}}$	INOUT Current Line Regulation	$V_{\text{IN}} = 3.5\text{V}$ to $60\text{V}$ (Note 7)	$T_A = +25^\circ\text{C}$	—	1	—	%	
$I_{\text{CC}}$	IN Pin Operating Current	$V_{\text{IN}} = 60\text{V}$ $R_{\text{SET}} = 1\text{M}\Omega$	$T_A = -40^\circ\text{C}$ to $+105^\circ\text{C}$	300	685	1000	$\mu\text{A}$	
$V_{\text{MIN}}$	Minimum Power up Voltage	Increase $V_{\text{INOUT}}$ (Note 10)	$T_A = -40^\circ\text{C}$ to $+105^\circ\text{C}$	1	1.5	2	V	
$t_{\text{ON\_MIN}}$	Minimum On Pulse Width for PWM Dimming	PWM Dimming with External MOSFET Connected to $R_{\text{SET}}$ , See PWM Dimming Section. (Notes 11 & 12)	—	500	—	—	$\mu\text{s}$	
$t_{\text{OFF\_MIN}}$	Minimum Off Pulse Width for PWM Dimming	PWM Dimming with External MOSFET Connected to $R_{\text{SET}}$ , See PWM Dimming Section. (Notes 11 & 12)	—	500	—	—	$\mu\text{s}$	
$T_{\text{SHDN}}$	Thermal Shutdown	Junction Temperature (Note 13)	—	—	+165	—	$^\circ\text{C}$	
$T_{\text{HYS}}$	Thermal Shutdown Hysteresis	—	—	—	+30	—	$^\circ\text{C}$	

- Notes:
- For improved accuracy LED current should be greater than 60mA.
  - Maximum LED current is also limited by ambient temperature and power dissipation such that junction temperature should be kept less than or equal to  $+150^\circ\text{C}$ .
  - Measured by the percentage of LED current variation when  $V_{\text{INOUT}}$  varies from 3.5V to 60V.
  - All voltages unless otherwise stated are measured with respect to OUT pin.
  - Subject to maximum junction temperature of  $+150^\circ\text{C}$  not being exceeded. The Maximum ambient temperature range is limited by device power dissipation; such that its junction temperature should be kept less than or equal to  $+150^\circ\text{C}$ . See Page 3 for more information on power dissipation. Devices have been qualified to AEC-Q100 Grade 2.
  - Apply the power linearly to the chip until the device starts to turn on.
  - $t_{\text{ON\_MIN}}$  time includes the delay and the rise time needed for  $I_{\text{OUT}}$  to reach 90% of its final value.  $t_{\text{OFF\_MIN}}$  time is the time needed for  $I_{\text{OUT}}$  to drop below 10% of its final value.
  - This parameter only guaranteed by design, not tested in production.
  - Ambient temperature at which OTP is triggered may vary depending on application, PCB layout and material used.

**Typical Performance Characteristics** (W-DFN2020-3/SWP (Type A) 100mA, 150mA, 200mA Settings)

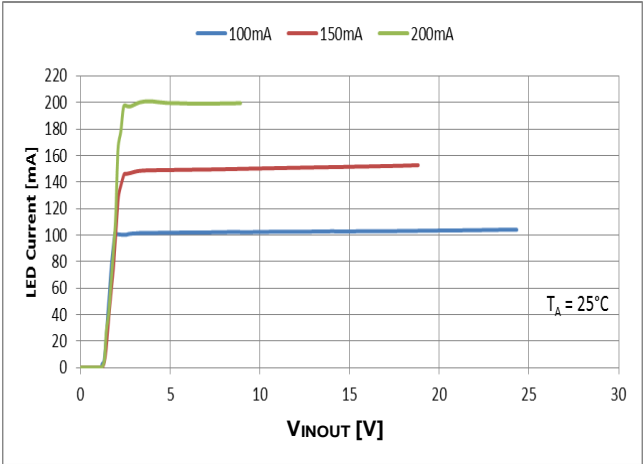


Figure 4. LED Current vs. VINOUT

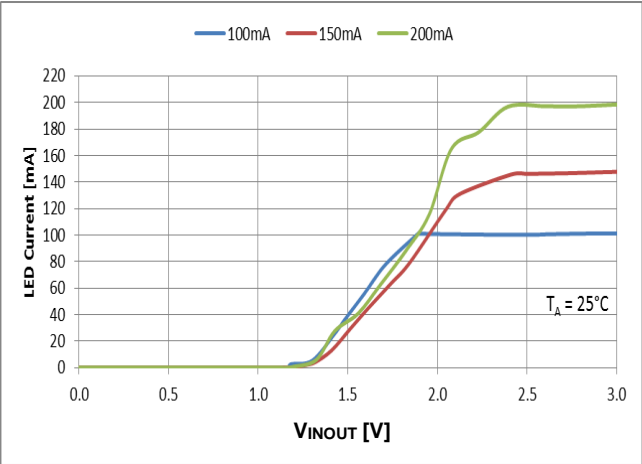


Figure 5. Startup Minimum Operating Voltage

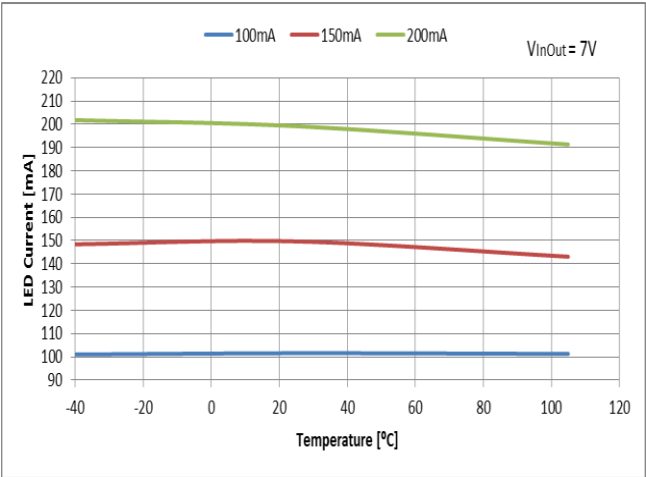
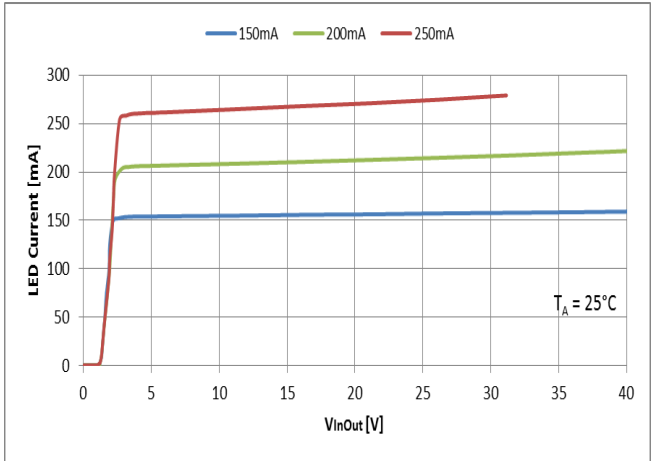
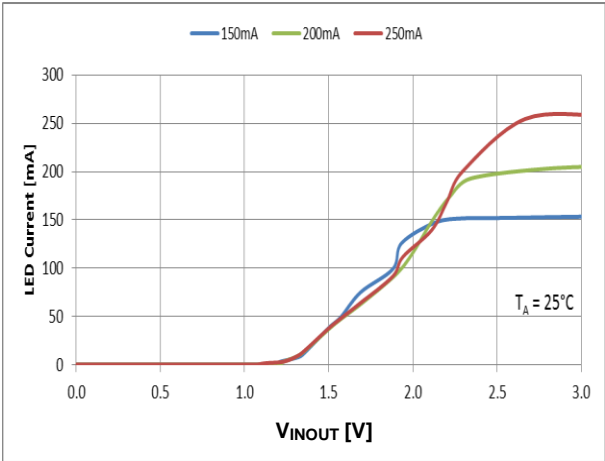


Figure 6. LED Current vs. Ambient Temperature

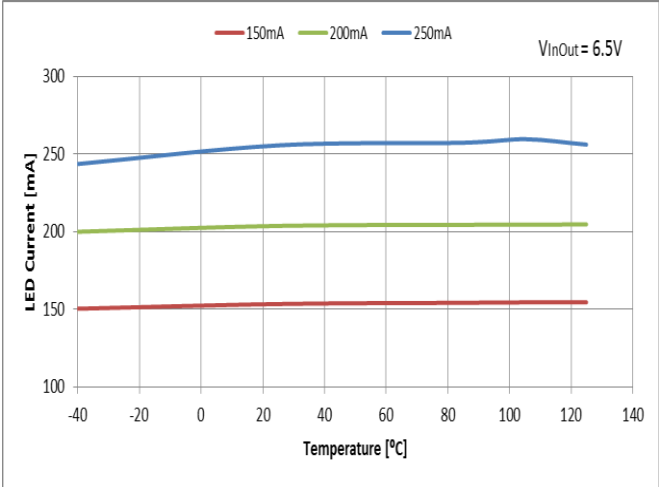
**Typical Performance Characteristics** (TO252 (DPAK) 150mA, 200mA, 250mA (Note 14) Settings)



**Figure 7. LED Current vs. V<sub>OUT</sub>**



**Figure 8. Startup Minimum Operating Voltage**



**Figure 9. LED Current vs. Ambient Temperature**

Note: 14. 250mA data are for reference only, not guaranteed by design and not tested in production.

**Application Information**

**Description**

The AL5810Q is a linear LED driver and regulates the LED current by sinking current into the IN pin. The AL5810Q can support up to 200mA LED current, with ±3% accuracy at +25°C. The LED current is set by an external resistor, R<sub>SET</sub>, connected from the R<sub>SET</sub> pin to the OUT pin. This resistor supplies the bias current of the AL5810Q together with current regulator to set the LED current.

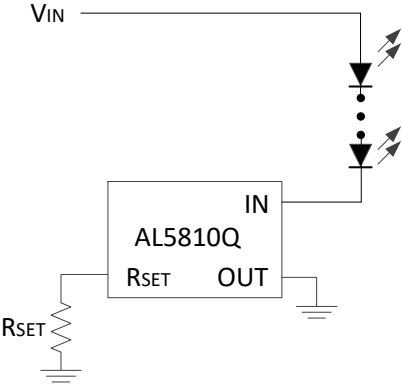
The LED current is determined by this equation:

$$I_{LED} = 1500 * \frac{0.5}{R_{SET}} \quad \text{where 1500 is the current ratio between the IN pin current and RSET pin current.}$$

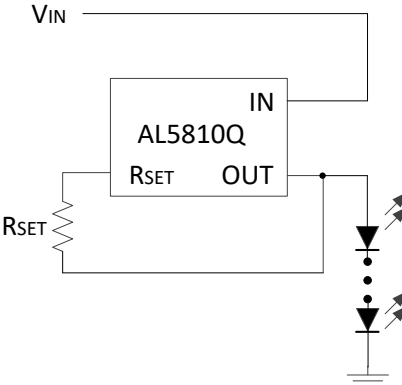
With R<sub>SET</sub> = 15k

$$I_{LED} = 1500 * \frac{0.5}{15k} = 50mA$$

The AL5810Q, with its 60V capability on the IN pin, allows supply rails up to 60V directly driving LED chains as shown in Figures 10 and 11.

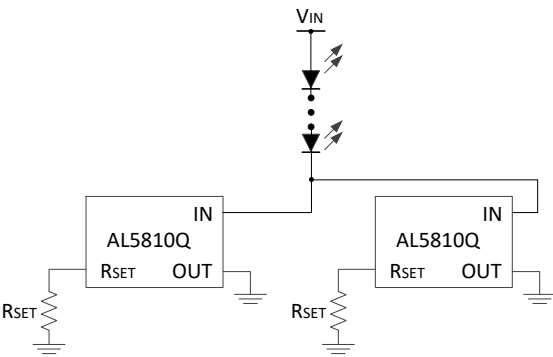


**Figure 10. Low-Side Configuration**

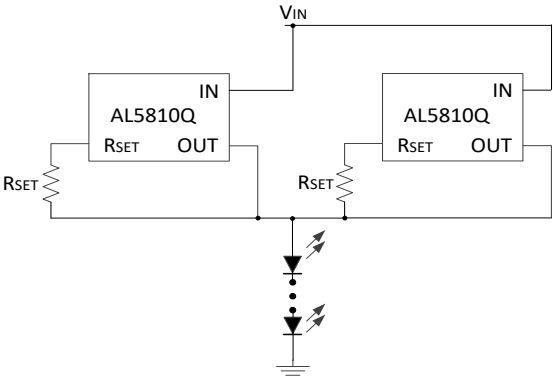


**Figure 11. High-Side Configuration**

The LED current can be increased by connecting two or more AL5810Q in parallel shown in Figure 12.



**(a) Low-Side Parallel Configuration**



**(b) High-Side Parallel Configuration**

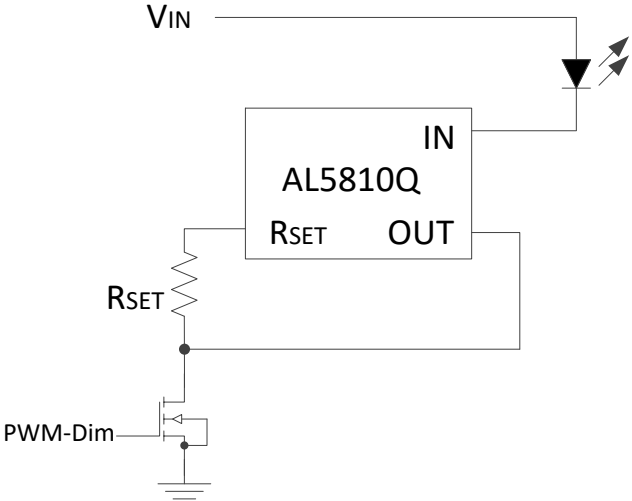
**Figure 12. Higher LED Current by Parallel Configuration of AL5810Q**

**Application Information** (continued)

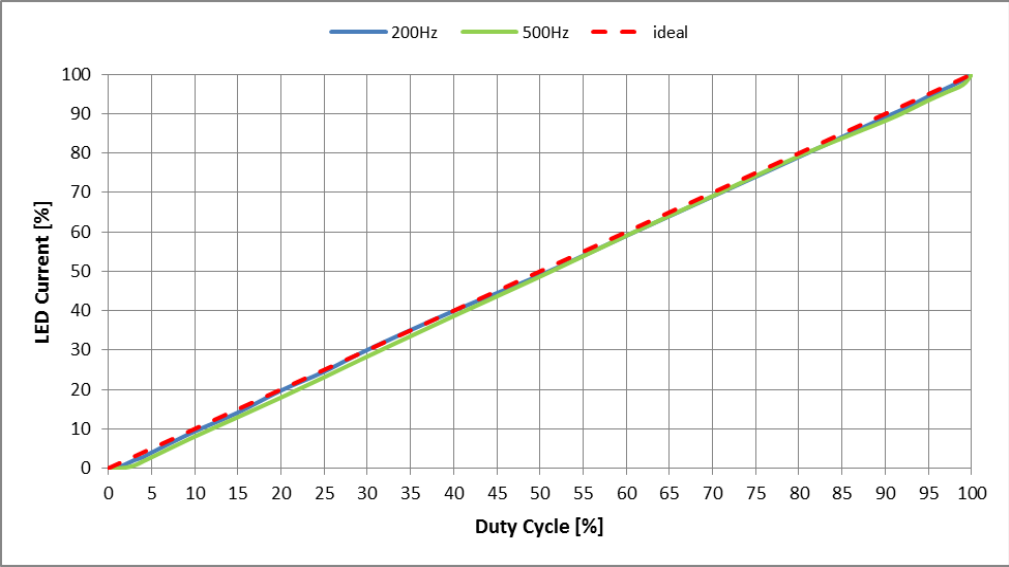
**PWM Dimming**

The AL5810Q can be used to provide LED current dimming by driving the R<sub>SET</sub> pin via the current setting resistor (R<sub>SET</sub>) and a series MOSFET switch to ground (Figure 13). The R<sub>SET</sub> pin current is then effectively switched on and off causing the LED current to turn on and off. The linearity is shown in Figure 14.

Test conditions (Figure 14): V<sub>IN</sub> = 6V, 1 LED low side configuration, R<sub>SET</sub> = 7.5kΩ, I<sub>LED</sub> = 100mA, n-channel MOSFET, PWM frequency 200Hz to 500Hz square wave, 0 to 4V gate voltage.



**Figure 13. PWM Dimming by External MOSFET**



**Figure 14. PWM Dimming Linearity**

**Application Information** (continued)

**Recommended PWM Frequency and Dimming Range**

PWM Frequency (Hz)	Duty Cycle (%)	
	Min	Max
200	10	90
500	25	75

Use the following formula to calculate the Min and Max duty cycle:

Min. duty cycle (%) = (t<sub>ON\_MIN</sub>) / (time period of the PWM signal)  
 Max. duty cycle (%) = 100% - ((t<sub>OFF\_MIN</sub>) / (time period of the PWM signal))

Note: t<sub>ON\_MIN</sub> = 500µs (Min. value), and t<sub>OFF\_MIN</sub> = 500µs (Min. value) are listed in the *Electrical Characteristics* table on page 4.

**Thermal Considerations**

When designing linear LED drivers careful consideration must be given to the power dissipation within the LED driver and PCB layout/heat sinking. A Linear LED driver has to be able to handle the large potential input voltage variations due to the supply voltage tolerance and also the variation in LED forward voltage due to binning and temperature. This can cause a large potential difference across the LED driver resulting in a larger than anticipated power dissipation.

In automotive applications when the engine is running, the typical input voltage range varies from 13.5V to 14.7V.

The recommended minimum V<sub>INOUT</sub> voltage of 2.5V enables the AL5810Q to drive 2 LEDs in series from the 12V battery voltage (assuming V<sub>LED</sub> < 3.25V).

The AL5810Q's power dissipation under these conditions will be:

$$V_{INOUT} * I_{LED} = 2.5 * I_{LED}$$

So for the 100mA AL5810Q under these conditions this equals:

$$2.5V * 100mA = 250mW$$

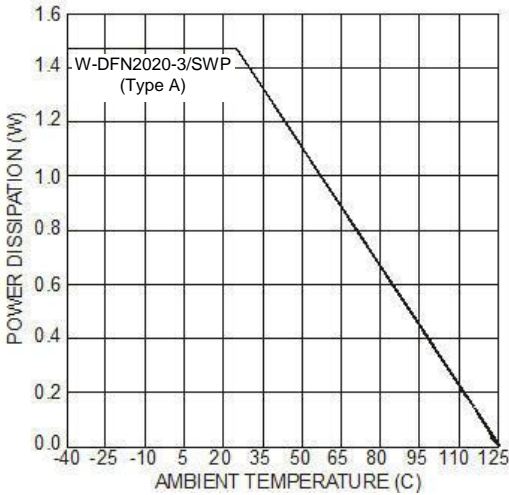
Under maximum input conditions (14.7V), V<sub>INOUT</sub> = 14.7V – 6.5V (2 LEDs voltage) the AL5810Q's power dissipation will be:

$$V_{INOUT} * I_{LED} = 8.2 * I_{LED}$$

So for the 100mA AL5810Q this equals:

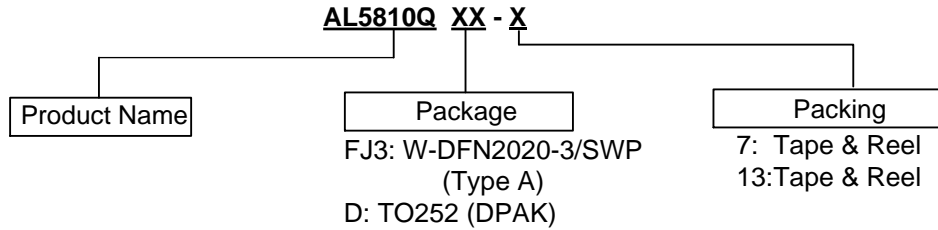
$$8.2V * 100mA = 820mW$$

Figure 15 shows the AL5810Q's power dissipation capability, which varies with PCB size and area of metal associated with the ground plane used for heat sinking. By increasing the area on the top layer, the thermal impedance could be improved.



**Figure 15. Power Dissipation Derating**

### Ordering Information (Note 15)



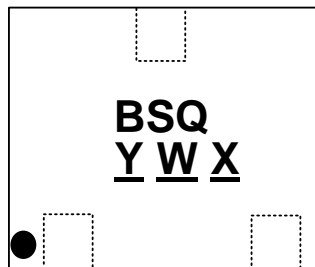
Part Number	Part Number Suffix	Package Code	Package	Packing	
				Qty.	Carrier
AL5810QFJ3-7	-7	FJ3	W-DFN2020-3/SWP (Type A)	3000	Tape & Reel
AL5810QD-13	-13	D	TO252 (DPAK)	2500	Tape & Reel

Note: 15. For packaging details, go to our website at <https://www.diodes.com/design/support/packaging/diodes-packaging/>.

### Marking Information

Package: W-DFN2020-3/SWP (Type A)

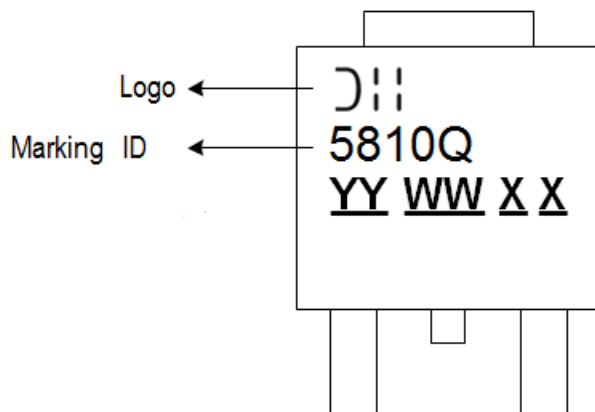
( Top View )



**BSQ** : Identification Code  
Y : Year: 0 to 9 (ex: 3 = 2023)  
W : Week: A to Z: Week 1 to 26;  
 a to z; Week 27 to 52; z Represents  
 Week 52 and 53  
X : Internal Code

Package: TO252 (DPAK)

( Top View )

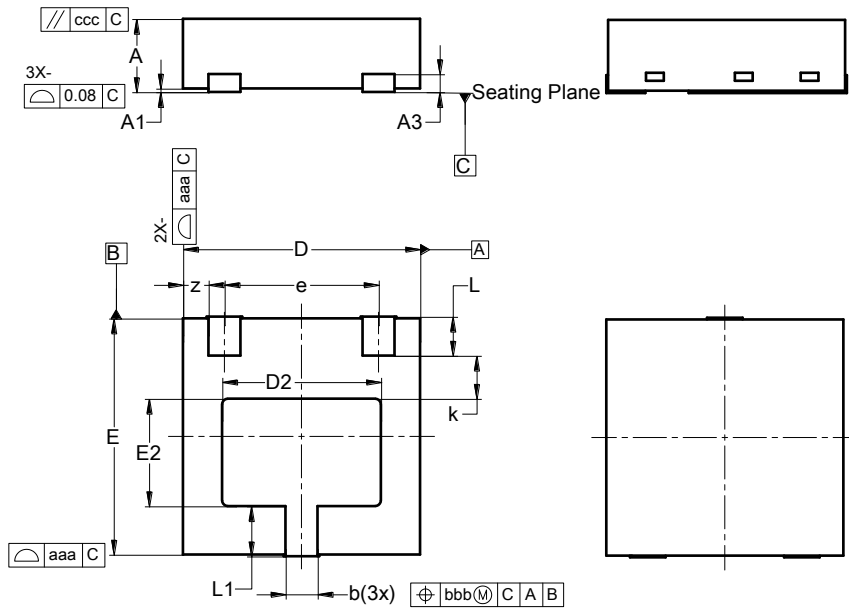


YY : Year: 01 to 09 (ex: 03 = 2023)  
WW : Week: 01 to 52, 52 Represents  
 Week 52 and 53  
XX : Internal Code

**Package Outline Dimensions**

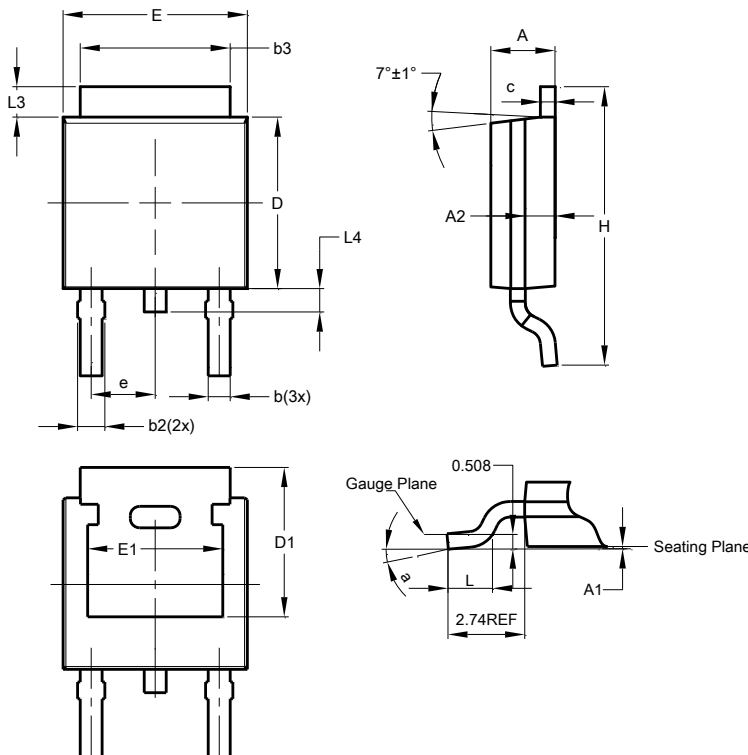
Please see <http://www.diodes.com/package-outlines.html> for the latest version.

**Package: W-DFN2020-3/SWP (Type A)**



W-DFN2020-3 /SWP (Type A)			
Dim	Min	Max	Typ
A	0.57	0.67	0.62
A1	0.00	0.05	0.03
A3	0.100	--	0.152
b	0.22	0.32	0.27
D	1.95	2.05	2.00
D2	1.24	1.44	1.34
E	1.95	2.05	2.00
E2	0.81	1.01	0.91
e	--	--	1.30
k	--	--	0.365
L	0.28	0.38	0.33
L1	0.375	0.475	0.425
z	--	--	0.215
aaa	0.25		
bbb	0.10		
ccc	0.10		
All Dimensions in mm			

**Package: TO252 (DPAK)**

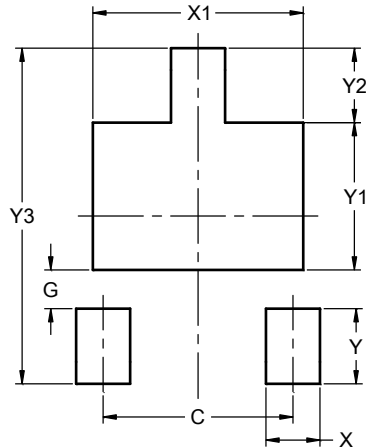


TO252 (DPAK)			
Dim	Min	Max	Typ
A	2.19	2.39	2.29
A1	0.00	0.13	0.08
A2	0.97	1.17	1.07
b	0.64	0.88	0.783
b2	0.76	1.14	0.95
b3	5.21	5.50	5.33
c	0.45	0.58	0.531
D	6.00	6.20	6.10
D1	5.21	--	--
e	2.286 BSC		
E	6.45	6.70	6.58
E1	4.32	--	--
H	9.40	10.41	9.91
L	1.40	1.78	1.59
L3	0.88	1.27	1.08
L4	0.64	1.02	0.83
a	0°	10°	--
All Dimensions in mm			

## Suggested Pad Layout

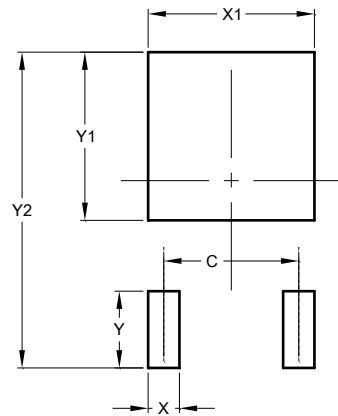
Please see <http://www.diodes.com/package-outlines.html> for the latest version.

### Package: W-DFN2020-3/SWP (Type A)



Dimensions	Value (in mm)
C	1.300
G	0.265
X	0.370
X1	1.440
Y	0.515
Y1	1.010
Y2	0.510
Y3	2.300

### Package: TO252 (DPAK)



Dimensions	Value (in mm)
C	4.572
X	1.060
X1	5.632
Y	2.600
Y1	5.700
Y2	10.700

## Mechanical Data

### Package: W-DFN2020-3/SWP (Type A)

- Moisture Sensitivity: Level 1 per J-STD-020
- Terminals: Finish - Matte Tin Plated Leads, Solderable per JESD22-B102 (e3)
- Weight: 0.0071 grams (Approximate)

### Package: TO252 (DPAK)

- Moisture Sensitivity: Level 1 per J-STD-020
- Terminals: Finish - Matte Tin Plated Leads, Solderable per JESD22-B102 (e3)
- Weight: 0.33 grams (Approximate)

**IMPORTANT NOTICE**

1. DIODES INCORPORATED (Diodes) AND ITS SUBSIDIARIES MAKE NO WARRANTY OF ANY KIND, EXPRESS OR IMPLIED, WITH REGARDS TO ANY INFORMATION CONTAINED IN THIS DOCUMENT, INCLUDING, BUT NOT LIMITED TO, THE IMPLIED WARRANTIES OF MERCHANTABILITY, FITNESS FOR A PARTICULAR PURPOSE OR NON-INFRINGEMENT OF THIRD PARTY INTELLECTUAL PROPERTY RIGHTS (AND THEIR EQUIVALENTS UNDER THE LAWS OF ANY JURISDICTION).
2. The Information contained herein is for informational purpose only and is provided only to illustrate the operation of Diodes' products described herein and application examples. Diodes does not assume any liability arising out of the application or use of this document or any product described herein. This document is intended for skilled and technically trained engineering customers and users who design with Diodes' products. Diodes' products may be used to facilitate safety-related applications; however, in all instances customers and users are responsible for (a) selecting the appropriate Diodes products for their applications, (b) evaluating the suitability of Diodes' products for their intended applications, (c) ensuring their applications, which incorporate Diodes' products, comply the applicable legal and regulatory requirements as well as safety and functional-safety related standards, and (d) ensuring they design with appropriate safeguards (including testing, validation, quality control techniques, redundancy, malfunction prevention, and appropriate treatment for aging degradation) to minimize the risks associated with their applications.
3. Diodes assumes no liability for any application-related information, support, assistance or feedback that may be provided by Diodes from time to time. Any customer or user of this document or products described herein will assume all risks and liabilities associated with such use, and will hold Diodes and all companies whose products are represented herein or on Diodes' websites, harmless against all damages and liabilities.
4. Products described herein may be covered by one or more United States, international or foreign patents and pending patent applications. Product names and markings noted herein may also be covered by one or more United States, international or foreign trademarks and trademark applications. Diodes does not convey any license under any of its intellectual property rights or the rights of any third parties (including third parties whose products and services may be described in this document or on Diodes' website) under this document.
5. Diodes' products are provided subject to Diodes' Standard Terms and Conditions of Sale (<https://www.diodes.com/about/company/terms-and-conditions/terms-and-conditions-of-sales/>) or other applicable terms. This document does not alter or expand the applicable warranties provided by Diodes. Diodes does not warrant or accept any liability whatsoever in respect of any products purchased through unauthorized sales channel.
6. Diodes' products and technology may not be used for or incorporated into any products or systems whose manufacture, use or sale is prohibited under any applicable laws and regulations. Should customers or users use Diodes' products in contravention of any applicable laws or regulations, or for any unintended or unauthorized application, customers and users will (a) be solely responsible for any damages, losses or penalties arising in connection therewith or as a result thereof, and (b) indemnify and hold Diodes and its representatives and agents harmless against any and all claims, damages, expenses, and attorney fees arising out of, directly or indirectly, any claim relating to any noncompliance with the applicable laws and regulations, as well as any unintended or unauthorized application.
7. While efforts have been made to ensure the information contained in this document is accurate, complete and current, it may contain technical inaccuracies, omissions and typographical errors. Diodes does not warrant that information contained in this document is error-free and Diodes is under no obligation to update or otherwise correct this information. Notwithstanding the foregoing, Diodes reserves the right to make modifications, enhancements, improvements, corrections or other changes without further notice to this document and any product described herein. This document is written in English but may be translated into multiple languages for reference. Only the English version of this document is the final and determinative format released by Diodes.
8. Any unauthorized copying, modification, distribution, transmission, display or other use of this document (or any portion hereof) is prohibited. Diodes assumes no responsibility for any losses incurred by the customers or users or any third parties arising from any such unauthorized use.
9. This Notice may be periodically updated with the most recent version available at <https://www.diodes.com/about/company/terms-and-conditions/important-notice>

The Diodes logo is a registered trademark of Diodes Incorporated in the United States and other countries.  
All other trademarks are the property of their respective owners.  
© 2023 Diodes Incorporated. All Rights Reserved.

[www.diodes.com](http://www.diodes.com)

## Looking for pricing, stock, or lifecycle information?

Click below to explore more details on WIN SOURCE:

 [View AL5810QD-13 on WIN SOURCE](#)

 [Diodes Incorporated Information](#)

## Optimize Your Supply Chain with WIN SOURCE Solutions

-  Global Sourcing Solution
-  Obsolete Management
-  Cost Control Management
-  Shortage Management
-  Alternative Solution
-  Excess Inventory Management