

FEATURES

Ultracompact solution

- Small, 2 mm × 1.5 mm, 12-ball WLCSP package
- Smallest footprint, 1 mm height, 1 μH power inductor
- LED current source for local LED grounding
- Simplified routing to and from the LED
- Improved LED thermals

Synchronous 3 MHz PWM boost converter, no external diode

High efficiency: 90% peak

- Reduces high levels of input battery current during flash
- Limits battery current drain in torch mode

I²C programmable

- Currents of up to 1000 mA in flash mode for 1 LED with ±7% accuracy over all conditions
- Currents of up to 200 mA in torch mode
- Programmable dc battery current limit (4 settings)
- Programmable flash timer up to 1600 ms
- Low VBAT mode to reduce LED current automatically
- 4-bit ADC for LED V_F, die/LED temperature readback

Control

- I²C-compatible control registers
- External strobe and torch input pins
- 2 transmitter mask (TxMASK) inputs

Safety

- Thermal overload protection
- Inductor fault detection
- LED short-circuit and open-circuit protection

APPLICATIONS

- Camera enabled cellular phones and smart phones
- Digital still cameras, camcorders, and PDAs

GENERAL DESCRIPTION

The ADP1649 is a very compact, highly efficient, single white LED flash driver for high resolution camera phones that improves picture and video quality in low light environments. The device integrates a programmable 1.5 MHz or 3 MHz synchronous inductive boost converter, an I²C-compatible interface, and a 1000 mA current source. The high switching frequency enables the use of a tiny, 1 mm high, low cost, 1 μH power inductor, and the current source permits LED cathode grounding for thermally enhanced, low EMI, and compact layouts.

The LED driver maximizes efficiency over the entire battery voltage range to maximize the input power-to-LED power conversion and to minimize battery current draw during flash

FUNCTIONAL BLOCK DIAGRAM

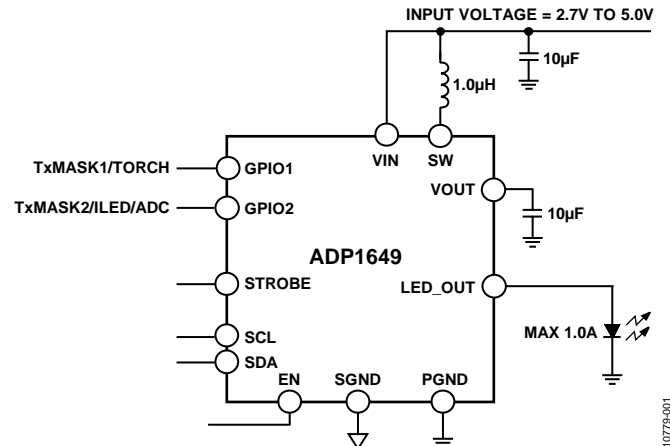


Figure 1.

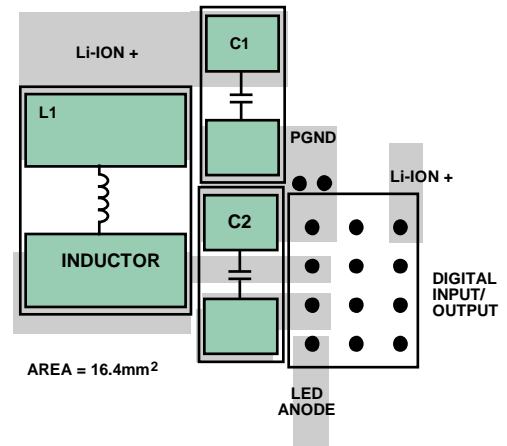


Figure 2. PCB Layout (WLCSP)

events. A programmable dc battery current limit safely maximizes LED current for all LED V_F and battery voltage conditions.

Two independent TxMASK inputs permit the flash LED current and battery current to reduce quickly during a power amplifier current burst. The I²C-compatible interface enables the programmability of timers, currents, and status bit readback for monitoring the operation and for safety control.

The ADP1649 is available in a compact 12-ball, 0.5 mm pitch WLCSP package, and operates within specification over the full -40°C to +125°C junction temperature range.

Rev. 0

Information furnished by Analog Devices is believed to be accurate and reliable. However, no responsibility is assumed by Analog Devices for its use, nor for any infringements of patents or other rights of third parties that may result from its use. Specifications subject to change without notice. No license is granted by implication or otherwise under any patent or patent rights of Analog Devices. Trademarks and registered trademarks are the property of their respective owners.

TABLE OF CONTENTS

Features	1	Indicator LED Driver.....	13
Applications.....	1	Low Battery LED Current Foldback.....	13
Functional Block Diagram	1	Programmable Battery DC Current Limit.....	14
General Description	1	Analog-to-Digital Converter Operation	15
Revision History	2	5 V Output Operation	15
Specifications.....	3	Safety Features.....	17
Recommended Specifications: Input and Output Capacitance and Inductance	5	Short-Circuit Fault	17
I ² C-Compatible Interface Timing Specifications	5	Overvoltage Fault	17
Absolute Maximum Ratings	6	Dynamic Overvoltage Mode (DOVP)	17
Thermal Data	6	Timeout Fault.....	17
Thermal Resistance	6	Overtemperature Fault	17
ESD Caution.....	6	Indicator LED Fault	17
Pin Configuration and Function Descriptions.....	7	Current Limit.....	17
Typical Performance Characteristics	8	Input Undervoltage.....	17
Theory of Operation	11	Soft Start	17
White LED Driver	11	Reset Using the Enable (EN) Pin	17
Modes of Operation	11	Clearing Faults.....	17
Assist Light	12	I ² C Interface	18
Flash Mode	12	I ² C Register Map.....	19
Assist to Flash Operation	12	Applications Information	25
Torch Mode	12	External Component Selection	25
Torch to Flash Mode	13	PCB Layout.....	27
TxMASK Operation.....	13	Packaging and Ordering Information	28
Frequency Foldback	13	Outline Dimensions	28
		Ordering Guide	28

REVISION HISTORY

7/12—Revision 0: Initial Version

SPECIFICATIONS

$V_{IN}^1 = 3.6\text{ V}$, $T_J = -40^\circ\text{C}$ to $+125^\circ\text{C}$ for minimum/maximum specifications, and $T_A = 25^\circ\text{C}$ for typical specifications, unless otherwise noted.

Table 1.

Parameter ²	Test Conditions/Comments	Min	Typ	Max	Unit
SUPPLY					
Input Voltage Range		2.7		5.0	V
Undervoltage Lockout Threshold	V_{IN} falling	2.3	2.4	2.5	V
Hysteresis		50	100	150	mV
Shutdown Current (I_Q), EN = 0 V	$T_J = -40^\circ\text{C}$ to $+85^\circ\text{C}$, current into VIN pin, $V_{IN} = 2.7\text{ V}$ to 4.5 V		0.2	1	μA
Standby Current (I_{STBY}), EN = 1.8 V	$T_J = -40^\circ\text{C}$ to $+85^\circ\text{C}$, current into VIN pin, $V_{IN} = 2.7\text{ V}$ to 4.5 V		3	10	μA
Operating Quiescent Current	Torch mode, LED current = 100 mA		5.3		mA
Switch Leakage, SW	$T_J = -40^\circ\text{C}$ to $+85^\circ\text{C}$, $V_{SW}^3 = 4.5\text{ V}$			2	μA
	$T_J = 25^\circ\text{C}$, $V_{SW}^3 = 4.5\text{ V}$			0.5	μA
LED DRIVER					
LED Current					
Assist Light, Torch	Assist light value setting = 0 (000 binary)		25		mA
	Assist light value setting = 7 (111 binary)		200		mA
Flash	Flash value setting = 0 (00000 binary)		300		mA
	Flash value setting = 14 (01110 binary)		1000		mA
LED Current Error	$I_{LED} = 700\text{ mA}$ to 1000 mA	-6		+6	%
	$I_{LED} = 300\text{ mA}$ to 650 mA	-7		+7	%
	$I_{LED} = 75\text{ mA}$ to 200 mA	-10		+10	%
	$I_{LED} = 25\text{ mA}$ to 50 mA	-15		+15	%
LED Current Source Headroom	Flash, 1000 mA LED current		265		mV
	Torch, 200 mA LED current		190		mV
LED_OUT Ramp-Up Time				0.6	ms
LED_OUT Ramp-Down Time				0.1	ms
SWITCHING REGULATOR					
Switching Frequency	Switching frequency = 3 MHz	2.8	3	3.2	MHz
	Switching frequency = 1.5 MHz	1.4	1.5	1.6	MHz
Minimum Duty Cycle	Switching frequency = 3 MHz		14		%
	Switching frequency = 1.5 MHz		7		%
NFET Resistance			60		m Ω
PFET Resistance			50		m Ω
Voltage Output Mode					
VOUT Voltage		4.575	5.000	5.425	V
Output Current				500	mA
Line Regulation	I_{LOAD} at VOUT = 300 mA		0.3		%/V
Load Regulation			-0.7		%/A
Pass Through Mode Transition, Flash					
VIN to LED_OUT					
Entry	1000 mA LED current		530		mV
Exit	1000 mA LED current		400		mV
Pass Through Mode Transition, Torch					
VIN to LED_OUT					
Entry	200 mA LED current		380		mV
Exit	200 mA LED current		285		mV

Parameter ²	Test Conditions/Comments	Min	Typ	Max	Unit
DIGITAL INPUTS/GPIOx					
Input Logic					
Low Voltage				0.54	V
High Voltage		1.26			V
GPIO1, GPIO2, STROBE Pull-Down			390		kΩ
Torch Glitch Filtering Delay	From torch rising edge to device start	5.5	7	7.5	ms
INDICATOR LED					
LED Current Accuracy		-22		+22	%
Short-Circuit Detection Threshold				1.2	V
Open-Circuit Detection Threshold		2.45			V
ADC					
Resolution		4			Bits
Error	External voltage mode		0	±1	LSB
	V _F mode, T _J = 25°C			±1	LSB
	V _F mode, T _J = -40°C to +125°C			±1.5	LSB
Input Voltage Range, GPIO2	External voltage mode	0		0.5	V
SAFETY FEATURES					
Maximum Timeout For Flash			1600		ms
Timer Accuracy		-7.0		+7.0	%
DC Current Limit	DC current value setting = 0 (00 binary)	1.35	1.5	1.65	A
	DC current value setting = 1 (01 binary)	1.55	1.75	1.95	A
	DC current value setting = 2 (10 binary)	1.8	2.0	2.2	A
Low VBAT Mode Transition Voltage					
Error				3.2	%
Hysteresis			50		mV
Coil Peak Current Limit	Peak current value setting = 0 (00 binary)	1.55	1.75	1.95	A
	Peak current value setting = 1 (01 binary)	2.02	2.25	2.5	A
	Peak current value setting = 2 (10 binary)	2.47	2.75	3.0	A
Overvoltage Detection Threshold		5.15	5.5	5.9	V
LED_OUT Short-Circuit Detection			1.2	1.3	V
Comparator Reference Voltage					
Thermal Shutdown Threshold					
T _J Rising			150		°C
T _J Falling			140		°C

¹ V_{IN} is the input voltage to the circuit.

² All limits at temperature extremes are guaranteed via correlation using standard statistical quality control (SQC).

³ V_{SW} is the voltage on the SW switch pin.

RECOMMENDED SPECIFICATIONS: INPUT AND OUTPUT CAPACITANCE AND INDUCTANCE

Table 2.

Parameter	Symbol	Test Conditions/Comments	Min	Typ	Max	Unit
CAPACITANCE	C_{MIN}	$T_A = -40^{\circ}C$ to $+125^{\circ}C$	4.0	10		μF
Input						
Output						
MINIMUM AND MAXIMUM INDUCTANCE	L	$T_A = -40^{\circ}C$ to $+125^{\circ}C$	0.6	1.0	1.5	μH

I²C-COMPATIBLE INTERFACE TIMING SPECIFICATIONS

Table 3.

Parameter ¹	Min	Max	Unit	Description
f_{SCL}		400	kHz	SCL clock frequency
t_{HIGH}	0.6		μs	SCL high time
t_{LOW}	1.3		μs	SCL low time
$t_{SU, DAT}$	100		ns	Data setup time
$t_{HD, DAT}$	0	0.9	μs	Data hold time
$t_{SU, STA}$	0.6		μs	Setup time for repeated start
$t_{HD, STA}$	0.6		μs	Hold time for start/repeated start
t_{BUF}	1.3		μs	Bus free time between a stop and a start condition
$t_{SU, STO}$	0.6		μs	Setup time for a stop condition
t_R	$20 + 0.1 C_B^2$	300	ns	Rise time of SCL and SDA
t_F	$20 + 0.1 C_B^2$	300	ns	Fall time of SCL and SDA
t_{SP}	0	50	ns	Pulse width of suppressed spike
C_B^2		400	pF	Capacitive load for each bus line

¹ Guaranteed by design.

² C_B is the total capacitance of one bus line in picofarads.

Timing Diagram

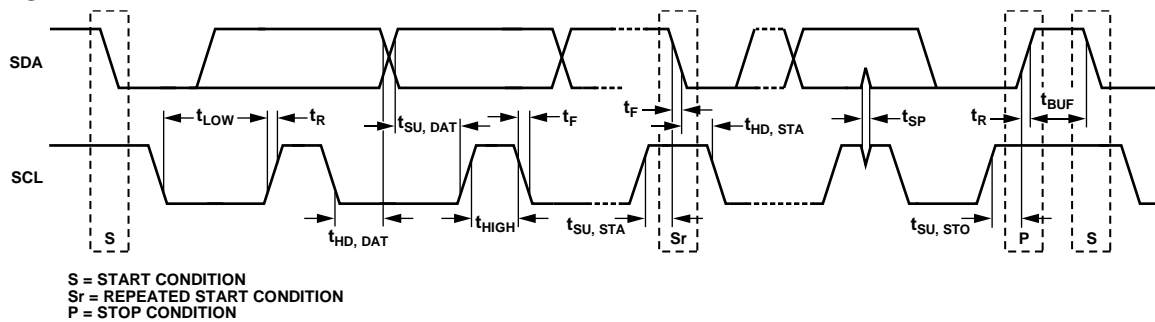


Figure 3. I²C-Compatible Interface Timing Diagram

10779-003

ABSOLUTE MAXIMUM RATINGS

Table 4.

Parameter	Rating
VIN, SDA, SCL, EN, GPIO1, GPIO2, STROBE, LED_OUT, SW, VOUT to Power Ground	−0.3 V to +6 V
PGND to SGND	−0.3 V to +0.3 V
Ambient Temperature Range (T _A)	−40°C to +85°C
Junction Temperature Range (T _J)	−40°C to +125°C
Storage Temperature	JEDEC J-STD-020
ESD Models	
Human Body	±2000 V
Charged Device	±500 V
Machine	±150 V

Stresses above those listed under Absolute Maximum Ratings may cause permanent damage to the device. This is a stress rating only; functional operation of the device at these or any other conditions above those indicated in the operational section of this specification is not implied. Exposure to absolute maximum rating conditions for extended periods may affect device reliability.

THERMAL DATA

Exceeding the junction temperature limits may damage the ADP1649. Monitoring T_A does not guarantee that T_J is within the specified temperature limits. In applications with high power dissipation and poor thermal resistance, the maximum T_A may need to be derated. In applications with moderate power dissipation and low printed circuit board (PCB) thermal resistance, the maximum T_A can exceed the maximum limit as long as the T_J is within specification limits. T_J of the device is dependent on the T_A, the power dissipation (PD) of the device, and the junction-to-ambient thermal resistance (θ_{JA}) of the package. Maximum T_J is calculated from T_A and PD using the following formula:

$$T_J = T_A + (PD \times \theta_{JA})$$

THERMAL RESISTANCE

θ_{JA} of the package is based on modeling and calculation using a 4-layer board. θ_{JA} is highly dependent on the application and board layout. In applications where high maximum power dissipation exists, attention to thermal board design is required. The value of θ_{JA} may vary, depending on PCB material, layout, and environmental conditions. The specified value of θ_{JA} is based on a 4-layer, 4 in × 3 in, 2½ oz copper board, per JEDEC standards. For more information, see the [AN-617 Application Note, MicroCSP™ Wafer Level Chip Scale Package](#).

θ_{JA} is specified for a device mounted on a JEDEC 2s2p PCB.

Table 5. Thermal Resistance

Package Type	θ _{JA}	Unit
12-Ball WLCS	75	°C/W

ESD CAUTION



ESD (electrostatic discharge) sensitive device. Charged devices and circuit boards can discharge without detection. Although this product features patented or proprietary protection circuitry, damage may occur on devices subjected to high energy ESD. Therefore, proper ESD precautions should be taken to avoid performance degradation or loss of functionality.

PIN CONFIGURATION AND FUNCTION DESCRIPTIONS

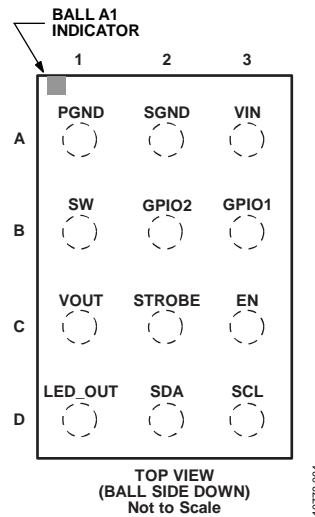


Figure 4. Pin Configuration

Table 6. Pin Function Descriptions

Pin No.	Mnemonic	Description
A1	PGND	Power Ground.
A2	SGND	Signal Ground.
A3	VIN	Input Voltage for the Device. Connect an input bypass capacitor close to this pin.
B1	SW	Boost Switch. Connect the power inductor between SW and the input capacitor.
B2	GPIO2	General-Purpose Input/Output for the ILED/TxMASK2/ADC Modes. These modes are register selectable. This is a multifunction pin for the red indicator LED current source, TxMASK2, or ADC input. ILED Mode. For the ILED mode, connect this pin to the red LED anode. Connect the LED cathode to power ground. TxMASK2 Mode. The TxMASK2 function of this pin reduces the current to the programmable TxMASK2 current. ADC Mode. The ADC function of this pin is used as the input pin for the ADC.
B3	GPIO1	General-Purpose Input/Output for the Torch/TxMASK1 Modes. These modes are register selectable. This is a multifunction pin for the external torch mode or TxMASK1 input. Torch Mode. Enables the integrated circuit (IC) in direct torch mode. TxMASK1 Mode. Reduces the flash current to the programmable TxMASK1 current.
C1	VOUT	Boost Output. Connect an output bypass capacitor very close to this pin. VOUT is the output for the 5 V external voltage mode.
C2	STROBE	Strobe Signal Input. STROBE synchronizes the flash pulse to the image capture. In most cases, this signal comes directly from the image sensor.
C3	EN	Enable. Set EN low to bring the quiescent current (I_Q) to $<1 \mu\text{A}$. Registers are set to their defaults when EN is brought from low to high.
D1	LED_OUT	LED Current Source. Connect the LED_OUT pin to the anode of the flash LED.
D2	SDA	I ² C Data Signal in I ² C Mode.
D3	SCL	I ² C Clock Signal in I ² C Mode.

TYPICAL PERFORMANCE CHARACTERISTICS

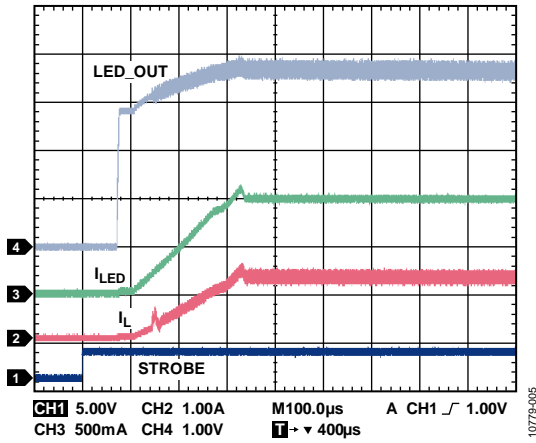


Figure 5. Start-Up Flash Mode, $V_{IN} = 3.6\text{ V}$, $I_{LED} = 1000\text{ mA}$

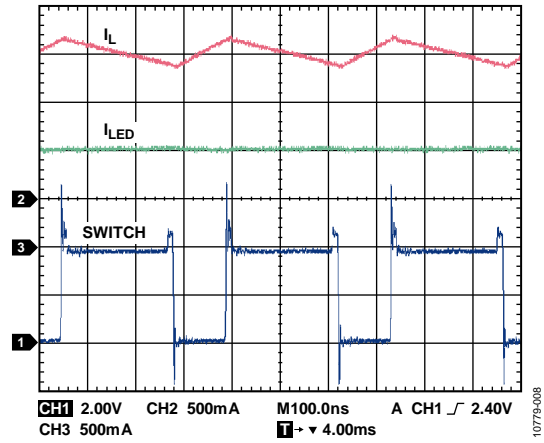


Figure 8. Switching Waveforms, Flash Mode, $I_{LED} = 1000\text{ mA}$

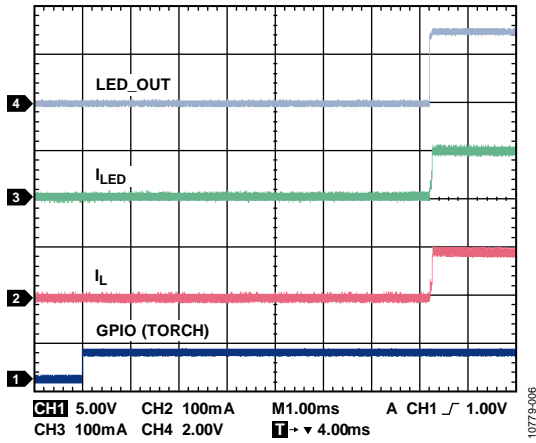


Figure 6. Start-Up Torch Mode, $V_{IN} = 3.6\text{ V}$, $I_{LED} = 100\text{ mA}$

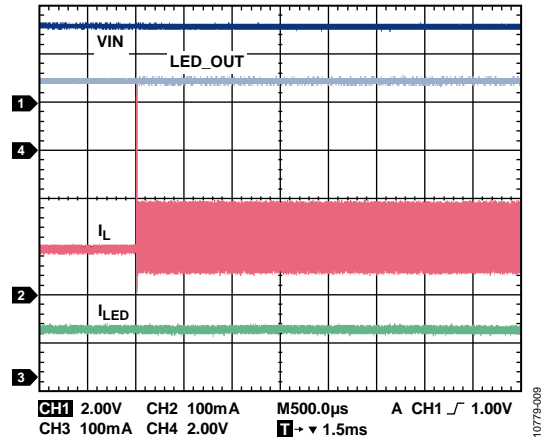


Figure 9. Pass Through to Boost Mode Transition, $I_{LED} = 100\text{ mA}$

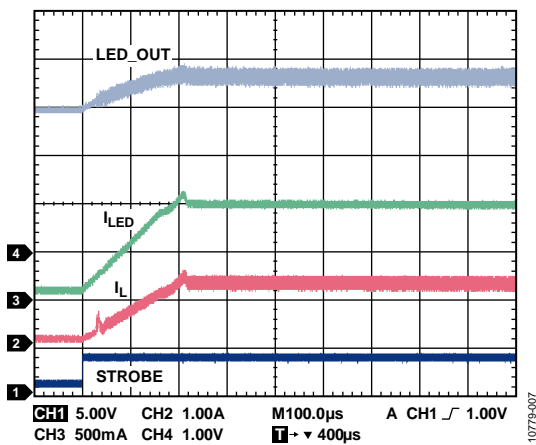


Figure 7. 100 mA Torch to 1000 mA Flash Transition

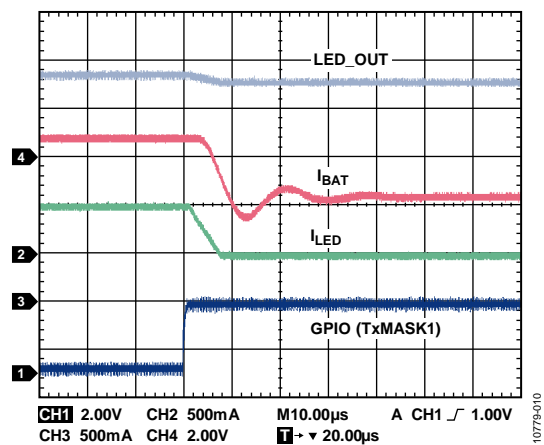


Figure 10. Entry into TxMASK1 Mode

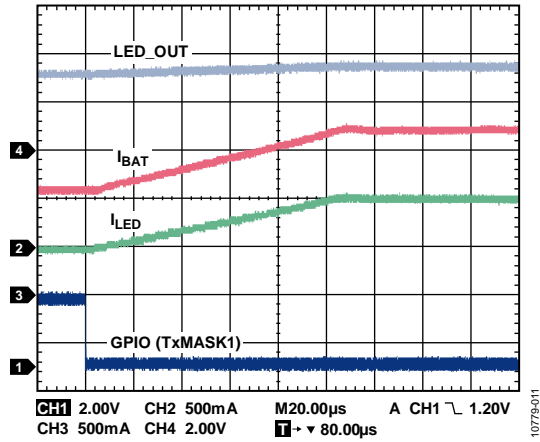


Figure 11. Exit from TxMASK1 Mode

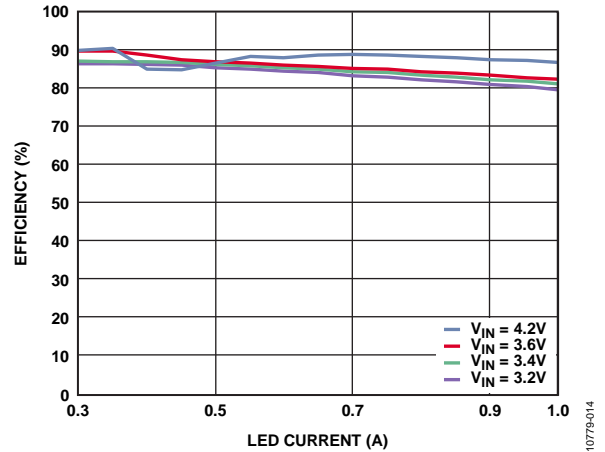


Figure 14. Flash Mode Efficiency vs. LED Current

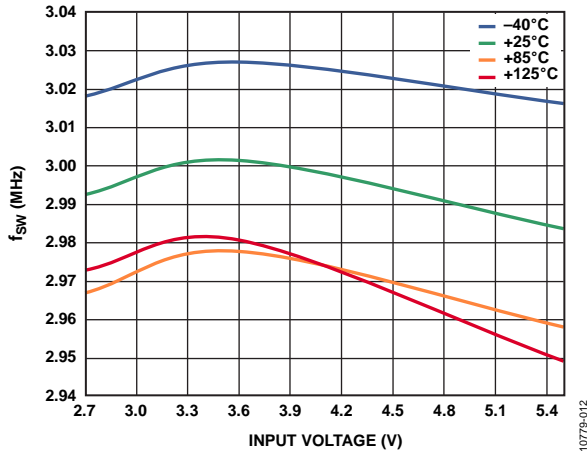


Figure 12. Switching Frequency vs. Supply Voltage (3 MHz Mode)

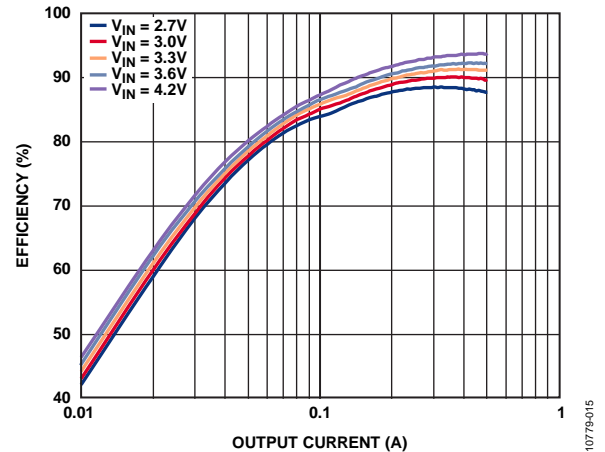


Figure 15. Voltage Regulation Mode Efficiency vs. Load Current

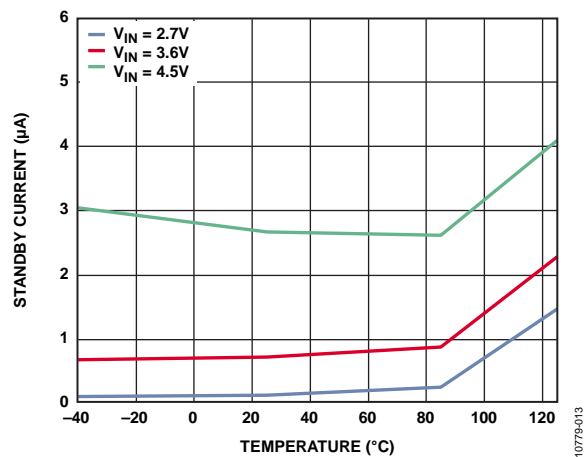


Figure 13. Standby Current vs. Temperature

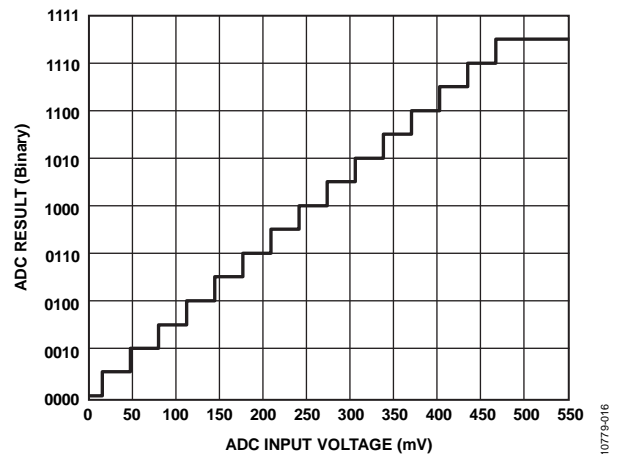


Figure 16. ADC External Voltage Mode Transfer Characteristic

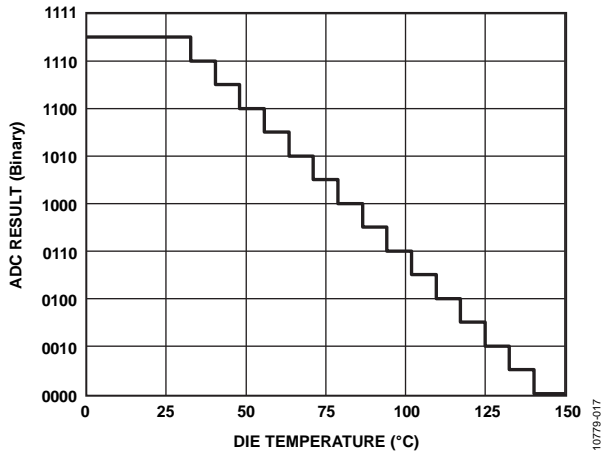


Figure 17. ADC Die Temperature Mode Transfer Characteristic

10779-017

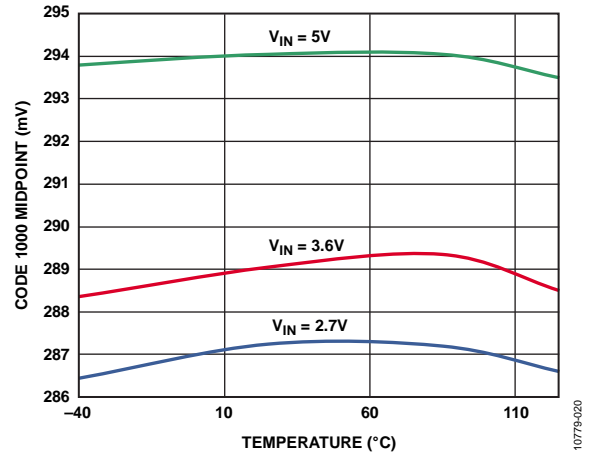


Figure 20. ADC External Voltage Mode, Code 1000, Midpoint vs. Temperature

10779-020

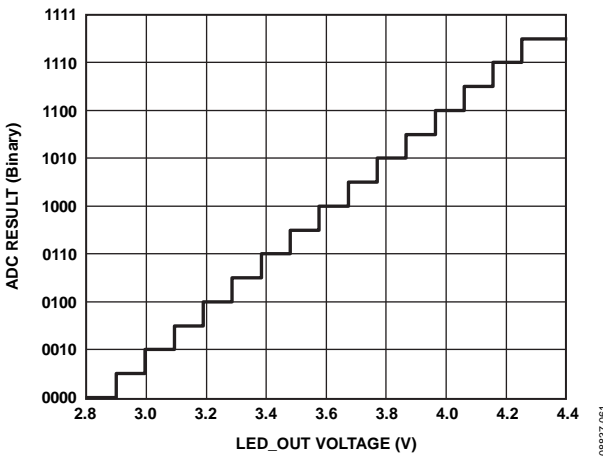


Figure 18. ADC LED V_f Mode Transfer Characteristic

08837-061

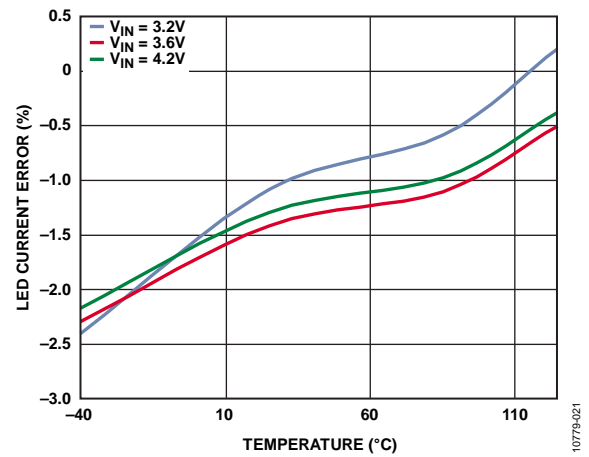


Figure 21. LED Current Error vs. Temperature, $I_{LED} = 800$ mA

10779-021

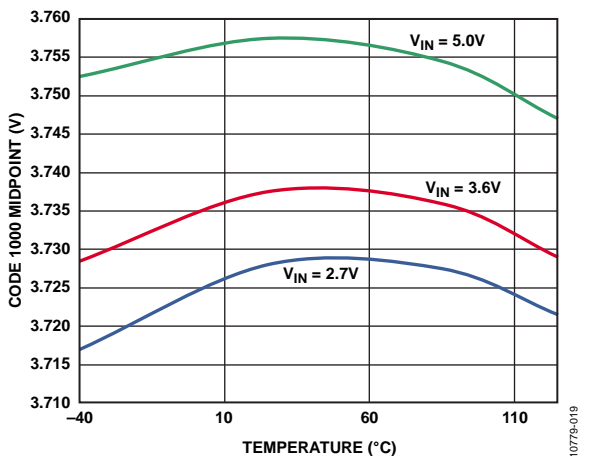


Figure 19. ADC LED V_f Mode, Code 1000, Midpoint vs. Temperature

10779-019

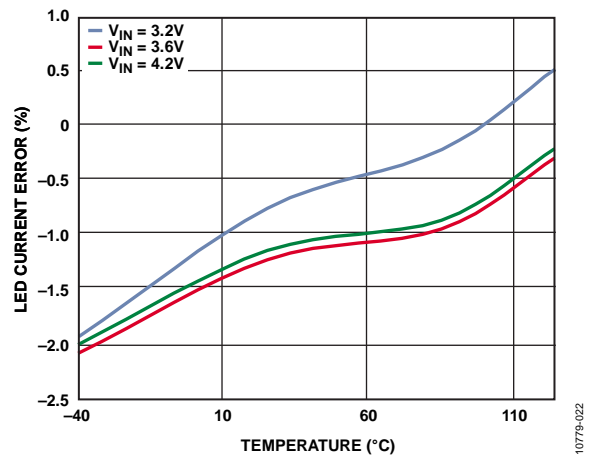


Figure 22. LED Current Error vs. Temperature, $I_{LED} = 1000$ mA

10779-022

THEORY OF OPERATION

The ADP1649 is a high power, I²C programmable, white LED driver ideal for driving white LEDs for use as a camera flash. The ADP1649 includes a boost converter and a current regulator suitable for powering one high power white LED.

WHITE LED DRIVER

The ADP1649 drives a synchronous 3 MHz boost converter as required to power the high power LED. If the sum of the LED forward voltage and current regulator voltage is higher than the battery voltage, the boost turns on. If the battery voltage is higher than the sum of the LED V_F and current regulator voltage, the boost is disabled and the part operates in pass through mode. The ADP1649 uses an integrated PFET high-side current regulator for accurate brightness control.

MODES OF OPERATION

After the enable pin is high, the device can be set into the four modes of operation using the LED_MOD bits in Register 0x04, via the I²C-compatible interface.

Table 7. LED_MOD Bit Settings, I²C-Compatible Interface

LED_MOD Setting	Description
00	Sets the device to standby mode, consuming 3 μ A typical.
01	Sets the device to fixed V _{OUT} = 5 V output mode.
10	Sets the device to assist light mode with continuous LED current.
11	Sets the device to flash mode with an available current of up to 1 A for 1.6 sec.

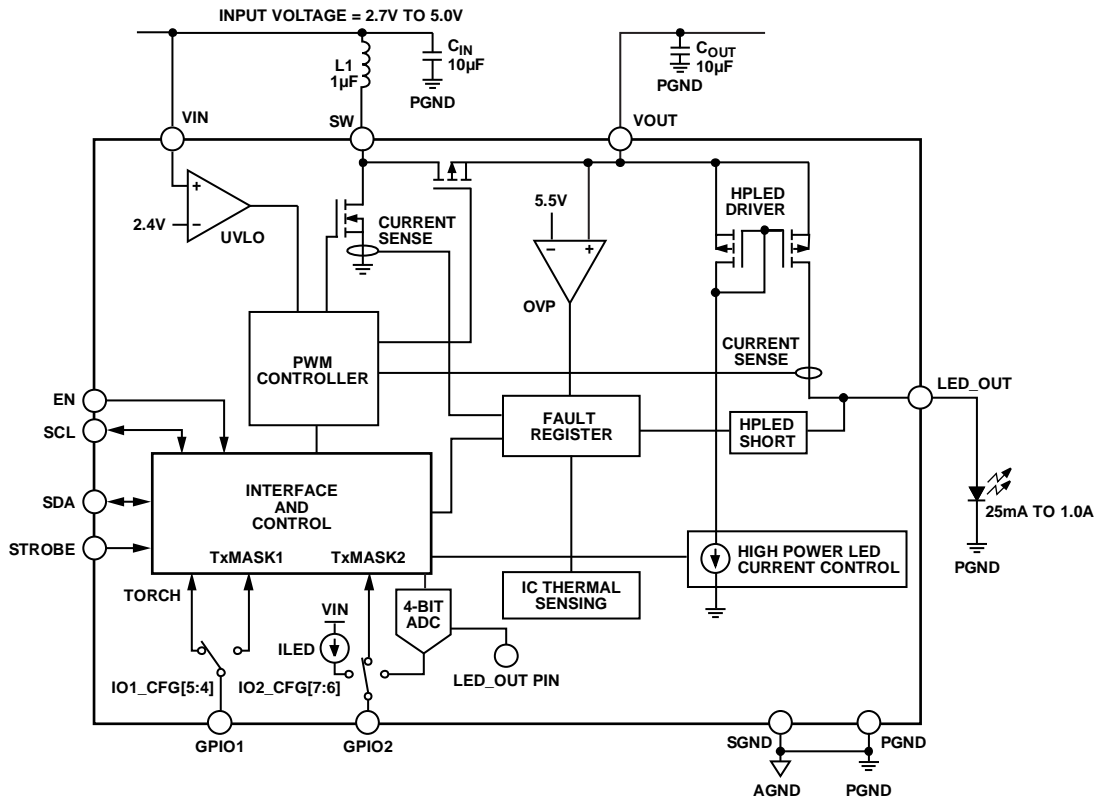


Figure 23. Detailed Block Diagram

10779-023

ASSIST LIGHT

The assist light mode provides a continuous current that is programmable from 25 mA to 200 mA. Set the assist light current using the I_TOR bits (in Register 0x03).

To enable assist, set LED_MOD to assist light mode and set OUTPUT_EN = 1 (in Register 0x04). Disable assist light mode by setting LED_MOD to standby mode or setting OUTPUT_EN = 0.

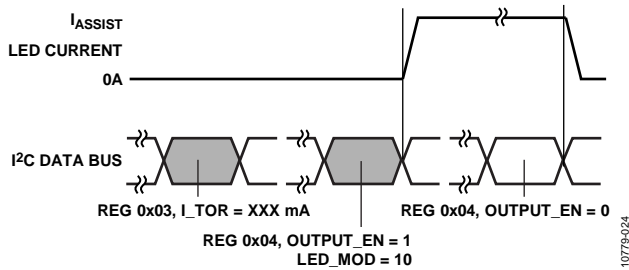


Figure 24. Enabling and Disabling Assist Light Mode

FLASH MODE

Flash mode provides 300 mA to 1 A for a programmable time of up to 1.6 seconds. Set the flash current using the I_FL bits (in Register 0x03) and the maximum flash duration with the FL_TIM bits (in Register 0x02). To enable flash mode, set LED_MOD to flash mode and set OUTPUT_EN = 1. Enable flash without the STROBE pin by setting STR_MODE (in Register 0x04) to 0 (software strobe).

When STR_MODE is in hardware strobe mode, setting the STROBE pin high enables flash and synchronizes it to the image sensor. Hardware strobe mode has two modes for timeout: level sensitive (STR_LV = 1, Register 0x04) and edge sensitive (STR_LV = 0, Register 0x04).

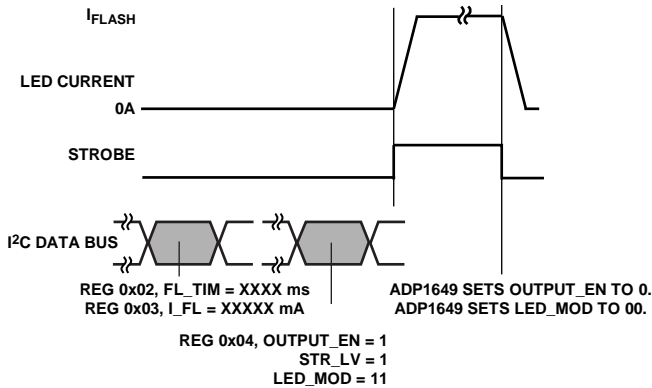


Figure 25. Flash Operation: Level Sensitive Mode

In level sensitive mode, the duration of the STROBE pin set to high sets the duration of the flash up to the maximum time indicated by the FL_TIM timeout. If STROBE remains high longer than the duration set by FL_TIM, a timeout fault disables the flash.

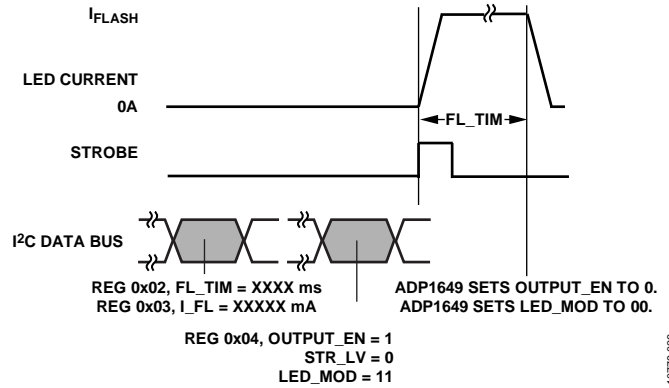


Figure 26. Flash Operation: Edge Sensitive Mode

In edge sensitive mode, a positive edge on the STROBE pin enables the flash, and the FL_TIM bits set the flash duration.

ASSIST TO FLASH OPERATION

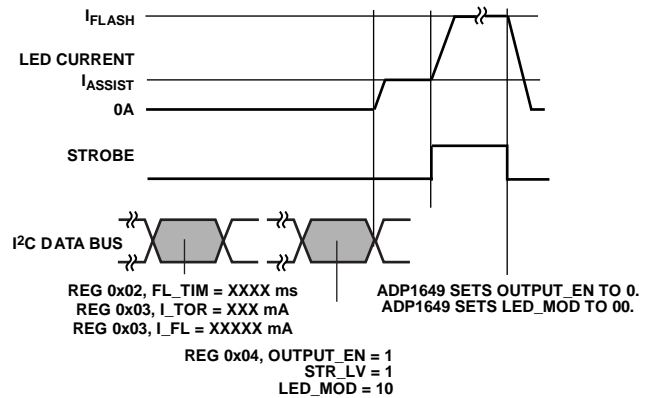


Figure 27. Enabling Assist to Flash (Level Sensitive) Mode

The STR_POL bit in Register 0x07 changes the default enable of the STROBE pin from low to high and from high to low. Additional image sensor specific assist/flash enable modes are included in the device, and information on these modes is available by request from the Analog Devices, Inc., sales team.

TORCH MODE

Set the assist/torch light current modes using the I_TOR bits. To enable torch mode using a logic signal, set LED_MOD to standby mode, set OUTPUT_EN = 1, and bring GPIO1 high. Disable the external torch mode by setting GPIO1 low or programming OUTPUT_EN = 0. Bringing GPIO1 low during torch mode automatically sets OUTPUT_EN = 0. To reen able torch mode, program OUTPUT_EN = 1 and bring GPIO high again.

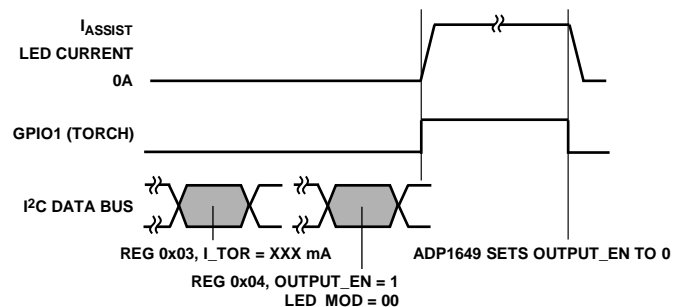


Figure 28. Enabling External Torch Mode Using GPIO1

TORCH TO FLASH MODE

The driver can move directly from external torch mode (using GPIO1) to flash mode by bringing the STROBE pin high before bringing the GPIO1 pin (set for the torch mode) low. Bringing torch low before the STROBE pin goes high prevents the flash from firing when the STROBE pin goes high.

The ADP1649 returns to standby mode after a successful flash and sets OUTPUT_EN = 0.

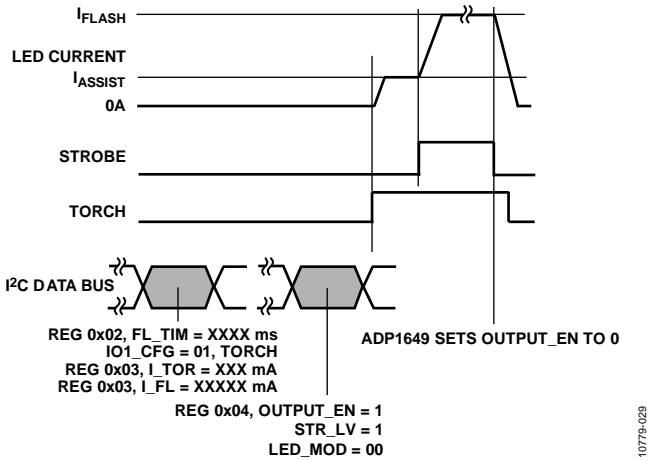


Figure 29. Enabling Flash Mode from External Torch Mode

TxMASK OPERATION

When the ADP1649 is in flash mode, the TxMASK1 and the TxMASK2 functions reduce the battery load in response to the system enabling a power amplifier. The device remains in flash mode, but the LED driver output current reduces to the programmed TxMASK light level in less than 21 μs.

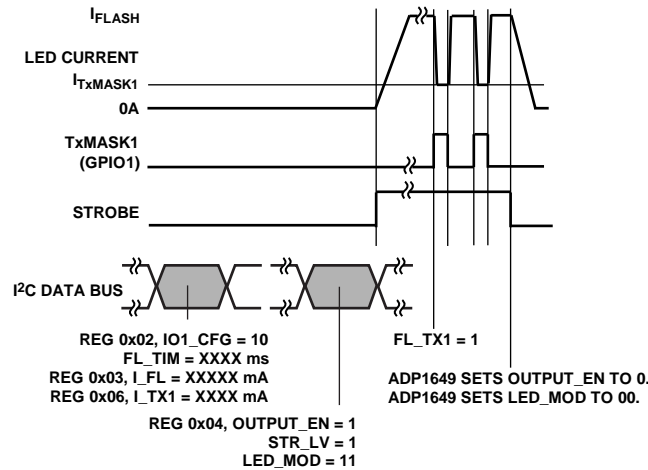


Figure 30. TxMASK1 Operation During Flash (Level Sensitive) Mode

The device selects the TxMASK1 or TxMASK2 current level based on whether the TxMASK1 or TxMASK2 input is used. Anytime TxMASK1 or TxMASK2 is brought high during a flash event, a flag is set in the fault information register. To avoid overshoots on the battery current, when the TxMASK signal goes

low again, the LED current returns to the full flash level in a controlled manner. If both TxMASK inputs are set high simultaneously, the TxMASK1 current level is used.

FREQUENCY FOLDBACK

Frequency foldback is an optional mode that optimizes efficiency by reducing the switching frequency to 1.5 MHz when VIN is slightly less than VOUT. Enable frequency foldback by setting FREQ_FB = 1 in Register 0x04.

INDICATOR LED DRIVER

The indicator LED driver on GPIO2 provides a programmable current source of between 2.75 mA and 11 mA for driving a red privacy LED; the I_ILED bits in Register 0x07 program the current level. The circuit consists of a programmable current source and a monitoring circuit that uses comparators to determine whether the indicator LED is short circuit or open circuit. The threshold for detection of a short circuit is 1.2 V (maximum), and for an open circuit, the threshold is 2.45 V (minimum). The indicator LED must not be used at the same time as a flash or an assist/torch event.

LOW BATTERY LED CURRENT FOLDBACK

As the battery discharges, the lower battery voltage results in higher peak currents through the battery ESR, which may cause early shutdown of the phone. The ADP1649 features an optional low battery detection option that reduces the flash current (to a programmable level) when the battery voltage falls below a programmable level. Set V_VB_LO = 000 to disable the low battery current foldback (see Table 8 for details).

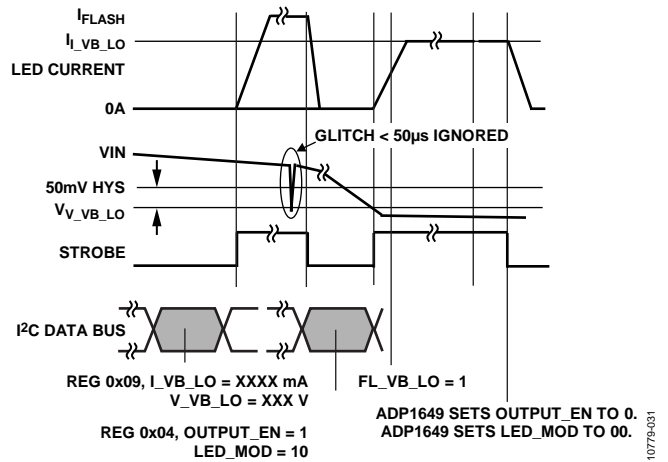


Figure 31. Register 0x09 Sets the Battery Voltage Threshold Level and the Reduced LED Current Level

Table 8. V_{DD} Level at Which the V_{BAT} Low Function Is Enabled

Bit Name	V _{DD} Level
V_VB_LO	000 = disabled (default)
	001 = 3.3 V
	010 = 3.35 V
	011 = 3.4 V
	100 = 3.45 V
	101 = 3.5 V
	110 = 3.55 V
	111 = 3.6 V

PROGRAMMABLE BATTERY DC CURRENT LIMIT

The ADP1649 has four optional programmable input dc current limits that limit the maximum input battery current over all conditions. This allows use of higher LED currents in a system with significant variation in LED forward voltage (V_F) and supply battery voltage without risk of exceeding the current allocated to the flash.

Table 9. Input DC Current Limit Setting the LED Current

Bit Name	Current Limit
IL_DC	00 = 1.5 A
	01 = 1.75 A
	10 = 2.0 A (default)
	11 = reserved

During startup of the flash, if the battery current does not reach the dc current limit, the LED current is set to the current value of the I_{FL} bits. If the battery current reaches the programmed dc current limit on startup, the LED current does not increase further. The dc current limit flag is set in the fault information register. The I_{FL} bits in Register 0x03 are set to the automatically reduced current-limit LED current and are available for readback.

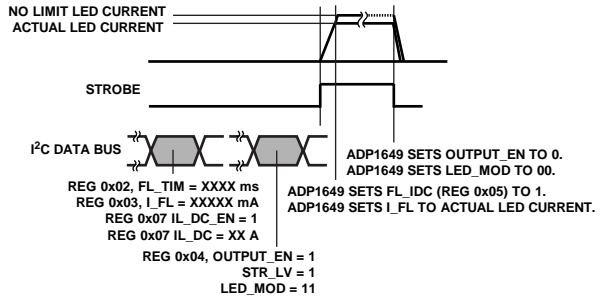


Figure 32. DC Current-Limit Operation in a Low Battery, High LED V_F Case

The camera system shown in Figure 33 can adjust the image sensor settings based on the known reduced LED current for a low battery and a high V_F LED.

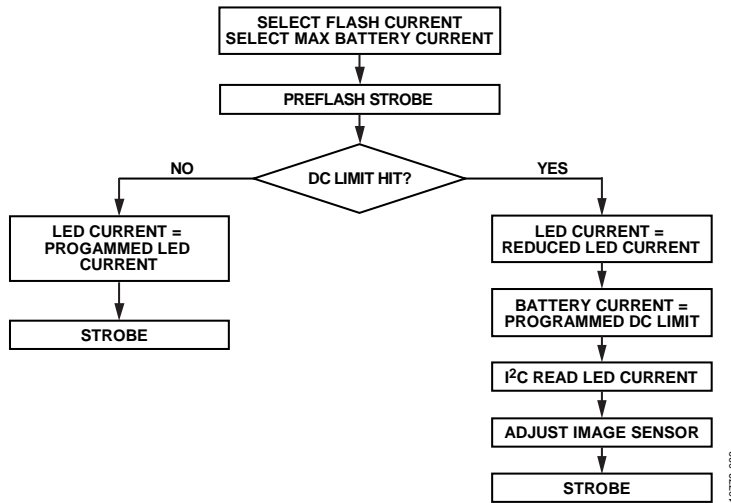


Figure 33. Use of the DC Current Limit in an Optimized Camera System

ANALOG-TO-DIGITAL CONVERTER OPERATION

The internal 4-bit analog-to-digital converter (ADC) is configurable to measure the LED V_F , the integrated circuit (IC) die temperature, or to measure an external voltage using the GPIO2 pin. Read the 4-bit resolution output code from Register 0x08 using the I²C interface.

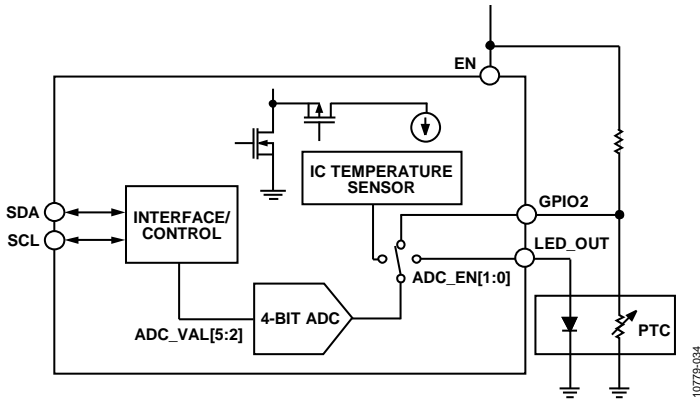


Figure 34. Available ADC Modes

The ADC can perform the conversion immediately on an I²C command or it can delay the conversion until the next time the ADP1649 exits an active mode. Delayed conversion can be useful, for example, for measuring the IC temperature at the end of a timed flash period.

To set up a delayed conversion, set ADC_EN to the required mode while OUTPUT_EN = 0. Next, set the ADP1649 to the desired output mode (torch, flash assist light, or 5 V output) and set OUTPUT_EN = 1. The ADC conversion is performed when the ADP1649 exits the chosen mode.

To perform an immediate conversion, set ADC_EN to the required mode during ADP1649 operation (OUTPUT_EN = 1). Note that an ADC conversion cannot be performed when the ADP1649 is idle. This is interpreted as an attempt to set up a delayed conversion.

LED V_F Mode

The ADC can measure the LED V_F in both flash and assist/torch modes. In torch mode, set ADC_EN = 01 to begin a conversion. The value can be read back from the ADC_VAL[5:2] bits 1 ms after the conversion has started. Assist/torch mode, rather than flash mode, is best in the handset production test to verify the LED V_F .

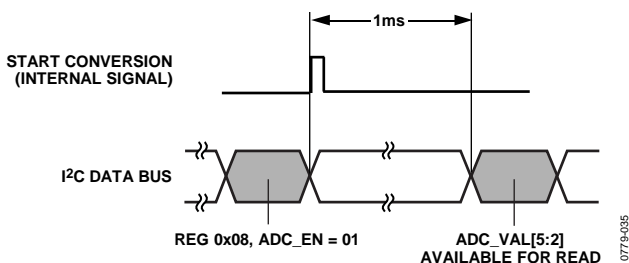


Figure 35. ADC Timing for All Modes Except V_F Measurement in Flash Mode

In flash mode, set ADC_EN = 01. The conversion occurs immediately before the timeout; therefore, the FL_TIM bits set when the ADC sample occurs. This allows the V_F to settle from the initial peak as the junction temperature of the LED stabilizes. An LED temperature vs. flash time profile for the handset PCB design can be generated during the design phase by varying the FL_TIM bits from the lowest to the highest setting and collecting a V_F sample on each flash.

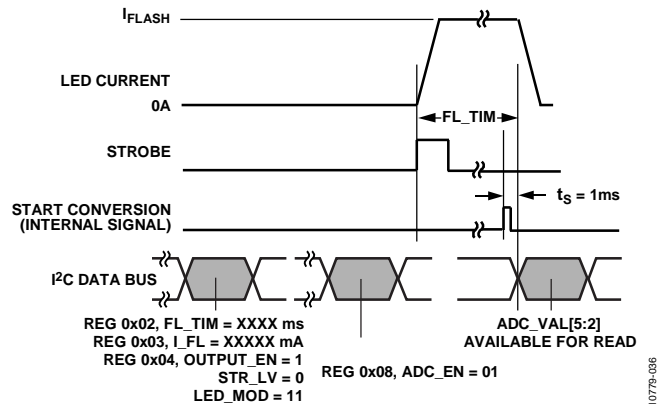


Figure 36. ADC Timing for V_F Measurement in Flash Mode

Die Temperature Mode

The ADC measures the IC die temperature and provides the result to the I²C interface. This is useful during the design phase of the flash system to optimize PCB layout for the best thermal design.

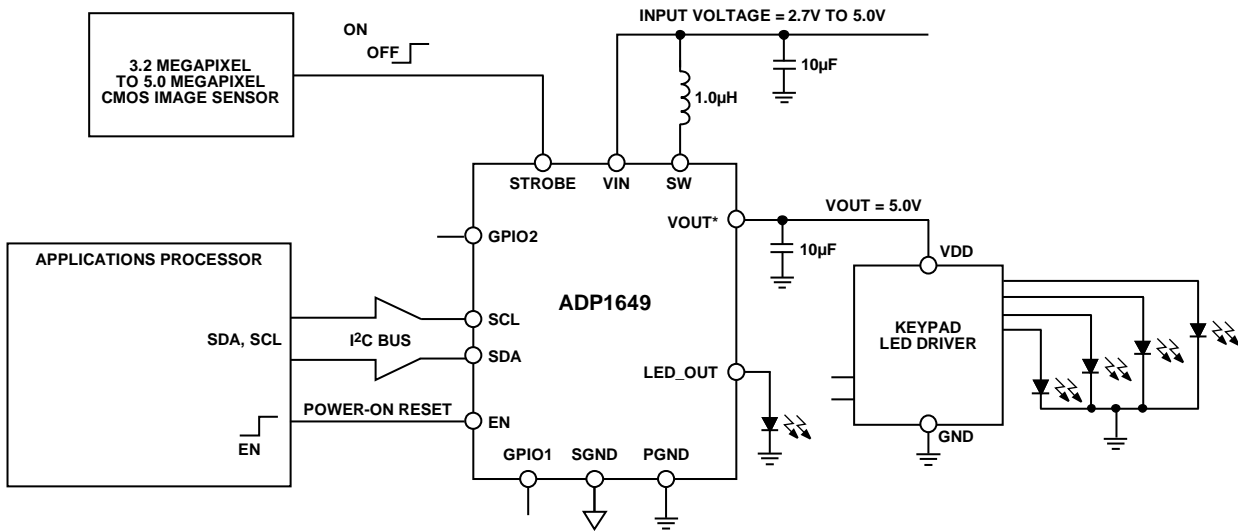
Write ADC_EN = 10 to begin a die temperature measurement. The value can be read back from the ADC_VAL[5:2] bits 1 ms after the conversion has started. The most stable and accurate value of the die temperature is available at the end of the flash pulse.

External Voltage Mode

The ADC measures the voltage on the GPIO2 pin when the GPIO2 is configured as an ADC input by setting IO2_CFG = 11. One example is using an external temperature dependent resistor to create a voltage based on the temperature of the flash LED. The EN line can be used for biasing to reduce leakage current when the flash is not being used.

5 V OUTPUT OPERATION

The ADP1649 can be used as a 5 V boost to supply up to 500 mA for an audio voltage rail or keypad LED driver voltage. To move into voltage regulation mode, the OUTPUT_EN bit must be set to 0. To enable the 5 V output, set LED_MOD[1:0] = 01, and set OUTPUT_EN = 1. The ADP1649 sets the VOUT pin to 5 V and disconnects VOUT from LED_OUT. The VOUT pin is connected to the SW node when the ADP1649 is not enabled. Do not connect VOUT directly to a positive external voltage source because this causes current to flow from VOUT to the battery.



*THE VOUT PIN IS CONNECTED TO THE SW NODE WHEN THE ADP1649 IS NOT ENABLED. VOUT SHOULD NOT BE CONNECTED DIRECTLY TO A POSITIVE EXTERNAL VOLTAGE SOURCE BECAUSE THIS CAUSES CURRENT TO FLOW FROM VOUT TO THE BATTERY.

Figure 37. Voltage Regulation Mode: LED Driver Application

10779-037

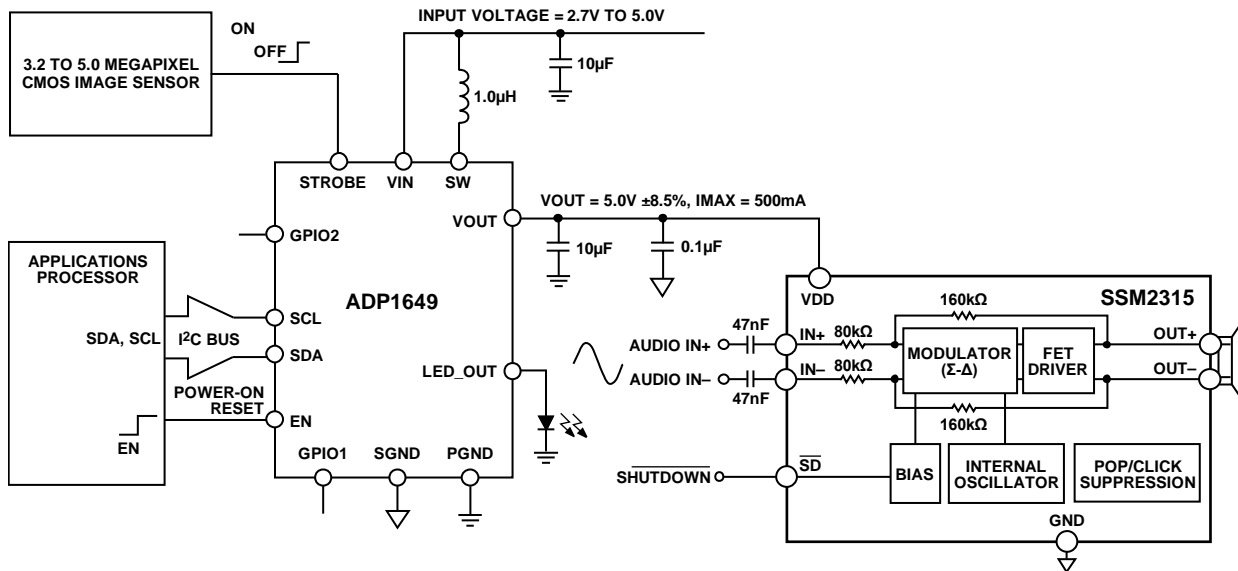


Figure 38. Voltage Regulation Mode: Class-D Audio Application

10779-038

SAFETY FEATURES

For critical fault conditions, such as output overvoltage, flash timeout, LED output short-circuit, and overtemperature conditions, the ADP1649 has built-in protection modes. If a critical fault occurs, OUTPUT_EN (Register 0x04) is set to 0, and the driver shuts down. The appropriate fault bit is set in the fault information register (Register 0x05). The processor can read the fault information register through the I²C interface to determine the nature of the fault condition. When the fault register is read, the corresponding fault bit is cleared.

If a noncritical event such as an indicator LED open-circuit, short-circuit, TxMASK1, or TxMASK2 event occurs, or if the dc or soft inductor current limit is reached, the LED driver continues operating. The corresponding information bits are set in the fault information register until the processor reads them.

SHORT-CIRCUIT FAULT

When the flash driver is disabled, the high-side current regulator disconnects the dc path between the battery and the LED, protecting the system from an LED short circuit. The LED_OUT pin features short-circuit protection that monitors the LED voltage when the LED driver is enabled. If the LED_OUT pin remains below the short-circuit detection threshold, a short circuit is detected. Bit 6 of the fault information register is set high. The ADP1649 remains disabled until the processor clears the fault register.

OVERVOLTAGE FAULT

The ADP1649 contains a comparator at the VOUT pin that monitors the voltage between VOUT and GND. If the voltage exceeds 5.5 V (typical), the ADP1649 shuts down. Bit 7 in the fault information register is read back as high. The ADP1649 is disabled until the fault is cleared, ensuring protection against an open circuit.

DYNAMIC OVERVOLTAGE MODE (DOVP)

Dynamic OVP mode is a programmable feature that limits the VOUT voltage exceeding the OVP level while maintaining as much current as possible through the LED. This mode prevents an overvoltage fault in the case of a much higher than expected LED forward voltage. If the LED forward voltage reduces due to the LED temperature rising, the ADP1649 moves out of DOVP mode and regulates the LED at the programmed current level. Set Bit 7 of Register 0x07 high to enable the DOVP mode.

TIMEOUT FAULT

When the external strobe mode is enabled (Register 0x04, Bit 2) and the strobe enable bit is set to the level sensitive mode (Register 0x04, Bit 5), then, if the STROBE pin remains high for longer than the programmed timeout period, the timeout fault bit (Register 0x05, Bit 4) is read back as high. The ADP1649 remains disabled until the processor clears the fault register.

OVERTEMPERATURE FAULT

When the junction temperature of the ADP1649 rises above 150°C, a thermal protection circuit shuts down the device. Bit 5 of the fault information register is set high. The ADP1649 remains disabled until the processor clears the fault register.

INDICATOR LED FAULT

The GPIO2 pin features open-circuit and short-circuit protection in the indicator LED mode. If a short circuit or open circuit occurs, Bit 2 of the fault information register is set high. The indicator LED regulator ensures that no damage occurs to the IC during a fault.

CURRENT LIMIT

The internal switch limits battery current by ensuring that the peak inductor current does not exceed the programmed limit (Bit 6 and Bit 7 in Register 0x04 set the current limit). The default mode of the ADP1649 is soft current-limit mode. If the peak inductor current limit is reached, Bit 1 of the fault information register is set, and the inductor and LED current cannot increase further although the ADP1649 continues to operate. If the ADP1649 has soft current limit disabled and the peak inductor current exceeds the limit, the device shuts down and Bit 1 of the fault information register is set high. In this case, the ADP1649 remains disabled until the processor clears the fault register.

INPUT UNDERVOLTAGE

The ADP1649 includes a battery undervoltage lockout circuit. During 5 V or LED operation, the battery voltage dropping below the 2.4 V (typical) input UVLO threshold shuts down the ADP1649. A power-on reset circuit resets the registers to their default conditions when the voltage rises above the UVLO rising threshold.

SOFT START

The ADP1649 has a soft start mode that controls the rate of increase of battery current at startup by digitally controlling the output current ramp. The maximum soft start time is 0.6 ms.

RESET USING THE ENABLE (EN) PIN

A low to high transition on the EN pin resets all registers to their default values. Bringing EN low reduces the I_Q to 0.2 μA (typical).

CLEARING FAULTS

The information bits and faults in Register 0x05 automatically clear when the processor reads the fault register.

I²C INTERFACE

The ADP1649 includes an I²C-compatible serial interface for control of the LED current, as well as for readback of the system status registers. The I²C chip address is 0x30 (0x60 in write mode and 0x61 in read mode). Additional I²C addresses are available on request.

Figure 39 illustrates the I²C write sequence to a single register. The subaddress content selects which of the nine ADP1649 registers is written to. The ADP1649 sends an acknowledgment to the master after the 8-bit data byte has been written. Figure 40 shows the I²C read sequence of a single register. See the I²C Register Map section for a list of register definitions.

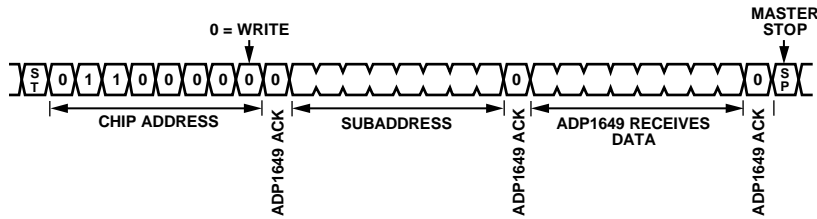


Figure 39. I²C Single Register Write Sequence

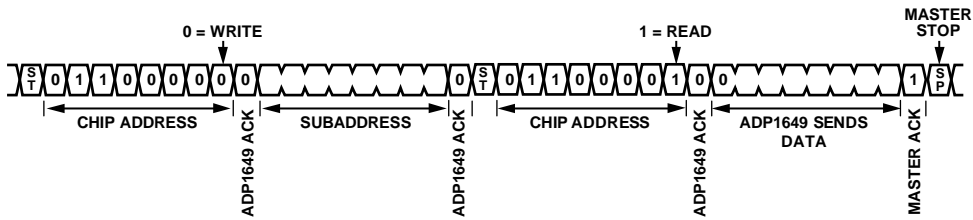


Figure 40. I²C Single Register Read Sequence

I²C REGISTER MAP

The lowest bit number (0) represents the least significant bit, the highest bit number (7) represents the most significant bit, and R/W indicates whether the bit is read only (R), write only (W), or both read and write (R/W).

Table 10. Design Information Register (Register 0x00)

Bit	Bit Name	R/W	Reset State
[7:0]	Manufacturer Information	R	00100010

Table 11. VREF and Timer Register (Register 0x02)

Bit	Bit Name	R/W	Description
[7:6]	IO2_CFG	R/W	GPIO2 configuration 00 = high impedance (default) 01 = indicator LED 10 = TxMASK2 operation mode 11 = analog input (to ADC)
[5:4]	IO1_CFG	R/W	GPIO1 configuration 00 = high impedance (default) 01 = torch 10 = TxMASK1 operation mode 11 = reserved
[3:0]	FL_TIM	R/W	Flash timer value setting 0000 = 100 ms 0001 = 200 ms 0010 = 300 ms 0011 = 400 ms 0100 = 500 ms 0101 = 600 ms 0110 = 700 ms 0111 = 800 ms 1000 = 900 ms 1001 = 1000 ms 1010 = 1100 ms 1011 = 1200 ms 1100 = 1300 ms 1101 = 1400 ms 1110 = 1500 ms 1111 = 1600 ms (default)

Table 12. Current Set Register (Register 0x03)

Bit	Bit Name	R/W	Description
[7:3]	I_FL	R/W	Flash current value setting 00000 = 300 mA 00001 = 350 mA 00010 = 400 mA 00011 = 450 mA 00100 = 500 mA 00101 = 550 mA 00110 = 600 mA 00111 = 650 mA 01000 = 700 mA 01001 = 750 mA 01010 = 800 mA 01011 = 850 mA 01100 = 900 mA 01101 = 950 mA 01110 = 1000 mA (default) Codes above 01110 are reserved
[2:0]	I_TOR	R/W	Torch and assist light current value setting 000 = 25 mA 001 = 50 mA 010 = 75 mA 011 = 100 mA (default) 100 = 125 mA 101 = 150 mA 110 = 175 mA 111 = 200 mA

Table 13. Output Mode Register (Register 0x04)

Bit	Bit Name	R/W	Description
[7:6]	IL_PEAK	R/W	Inductor peak current-limit setting 00 = 1.75 A 01 = 2.25 A 10 = 2.75 A (default) 11 = reserved
5	STR_LV	R/W	0 = edge sensitive 1 = level sensitive (default)
4	FREQ_FB	R/W	0 = frequency foldback to 1.5 MHz not allowed (default) 1 = frequency foldback to 1.5 MHz allowed
3	OUTPUT_EN	R/W	0 = output off (default) 1 = output on
2	STR_MODE	R/W	0 = software strobe mode (software flash occurs when output is enabled in flash mode) 1 = hardware strobe mode (the STROBE pin must go high for flash) (default)
[1:0]	LED_MOD	R/W	Configures LED output mode 00 = standby mode (default) 01 = voltage output mode, VOUT = 5 V 10 = assist light mode 11 = flash mode

Table 14. Fault Information Register (Register 0x05)

Bit	Bit Name	R/W	Description
7	FL_OVP	R	0 = no fault (default) 1 = overvoltage fault
6	FL_SC	R	0 = no fault (default) 1 = short-circuit fault
5	FL_OT	R	0 = no fault (default) 1 = overtemperature fault
4	FL_TO	R	0 = no fault (default) 1 = timeout fault
3	FL_TX1	R	0 = no TxMASK1 operation mode during last flash (default) 1 = TxMASK1 operational mode occurred during last flash
2	FL_IO2	R	If GPIO2 is configured as TxMASK2 0 = no TxMASK2 operation mode during last flash (default) 1 = TxMASK2 operational mode occurred during last flash If GPIO2 is configured as ILED 0 = no fault (default) 1 = indicator LED fault
1	FL_IL	R	0 = no fault (default) 1 = inductor peak current-limit fault
0	FL_IDC	R	0 = programmed dc current limit is not hit (default) 1 = programmed dc current limit is hit

Table 15. Input Control Register (Register 0x06)

Bit	Bit Name	R/W	Description
[7:4]	L_TX2	R/W	TxMASK2 operational mode foldback current 0000 = 100 mA 0001 = 150 mA 0010 = 200 mA 0011 = 250 mA 0100 = 300 mA 0101 = 350 mA 0110 = 400 mA (default) 0111 = 450 mA 1000 = 500 mA 1001 = 550 mA 1010 = 600 mA 1011 = 650 mA 1100 = 700 mA 1101 = 750 mA 1110 = 800 mA 1111 = 850 mA
[3:0]	L_TX1	R/W	TxMASK1 operational mode foldback current 0000 = 100 mA 0001 = 150 mA 0010 = 200 mA 0011 = 250 mA 0100 = 300 mA 0101 = 350 mA 0110 = 400 mA (default) 0111 = 450 mA 1000 = 500 mA 1001 = 550 mA 1010 = 600 mA 1011 = 650 mA 1100 = 700 mA 1101 = 750 mA 1110 = 800 mA 1111 = 850 mA

Table 16. Additional Mode Register, AD_MOD (Register 0x07)

Bit	Bit Name	R/W	Description
7	DYN_OVP	R/W	Dynamic overvoltage protection (DOVP) 0 = DOVP off (default) 1 = DOVP on
6	SW_LO	R/W	Force 1.5 MHz switching frequency 0 = disabled (default) 1 = enabled
5	STR_POL	R/W	Strobe polarity 0 = active low 1 = active high (default)
[4:3]	I_ILED	R/W	Indicator LED current 00 = 2.75 mA (default) 01 = 5.5 mA 10 = 8.25 mA 11 = 11 mA
[2:1]	IL_DC	R/W	Input dc current limit setting the LED current 00 = 1.5 A 01 = 1.75 A 10 = 2.0 A (default) 11 = reserved
0	IL_DC_EN	R/W	Input dc current limit 0 = disabled (default) 1 = enabled

Table 17. Additional Mode Register, ADC (Register 0x08)

Bit	Bit Name	R/W	Description
7	Reserved	R/W	Test mode 0 = disabled (default) 1 = enabled
6	FL_VB_LO	R	Programmed V_{BAT} low threshold status; low battery mode must be enabled in Register 0x09 0 = V_{DD} is greater than the V_{BAT} low threshold (default) 1 = V_{DD} is less than the V_{BAT} low threshold
[5:2]	ADC_VAL	R/W	ADC readback value; four bits (see Figure 16, Figure 17, and Figure 18)
[1:0]	ADC_EN	R/W	ADC enable mode 00 = disabled (default) 01 = LED V_f measurement 10 = die temperature measurement 11 = external voltage mode

Table 18. Battery Low Mode Register (Register 0x09)

Bit	Bit Name	R/W	Description
7	CL_SOFT	R/W	Soft inductor peak current limit 0 = disabled (ADP1649 is disabled when the inductor peak current limit is reached) 1 = enabled (default)
[6:3]	I_VB_LO	R	Current setting for V_{BAT} low mode 0000 = 300 mA 0001 = 350 mA 0010 = 400 mA 0011 = 450 mA 0100 = 500 mA 0101 = 550 mA 0110 = 600 mA 0111 = 650 mA 1000 = 700 mA 1001 = 750 mA 1010 = 800 mA (default) 1011 = 850 mA 1100 = 900 mA 1101 = 950 mA 1110 = 1000 mA 1111 = reserved
[2:0]	V_VB_LO	R/W	V_{DD} level where V_{BAT} low function is enabled 000 = disabled (default) 001 = 3.3 V 010 = 3.35 V 011 = 3.4 V 100 = 3.45 V 101 = 3.5 V 110 = 3.55 V 111 = 3.6 V

APPLICATIONS INFORMATION

EXTERNAL COMPONENT SELECTION

Selecting the Inductor

The ADP1649 boost converter increases the battery voltage to allow driving of one LED, whose voltage drop is higher than the battery voltage plus the current source headroom voltage. This allows the converter to regulate the LED current over the entire battery voltage range and with a wide variation of LED forward voltage.

The inductor saturation current should be greater than the sum of the dc input current and half of the inductor ripple current. A reduction in the effective inductance due to saturation increases the inductor current ripple. Table 19 provides a list of recommended inductors.

Selecting the Input Capacitor

The ADP1649 requires an input bypass capacitor to supply transient currents while maintaining constant input and output voltages. The input capacitor carries the input ripple current, allowing the input power source to supply only the dc current. Increased input capacitance reduces the amplitude of the switching frequency ripple on the battery. Due to the dc bias characteristics of ceramic capacitors, the use of a 0603, 6.3 V, X5R/X7R, 10 μ F ceramic capacitor is preferable. Higher value input capacitors help to reduce the input voltage ripple and improve transient response.

To minimize supply noise, place the input capacitor as close to the VIN pin of the ADP1649 as possible. A low ESR capacitor is required. Table 20 provides a list of suggested input capacitors.

Selecting the Output Capacitor

The output capacitor maintains the output voltage and supplies the LED current during the period when the NFET power switch is on. The output capacitor also stabilizes the loop. The recommended output capacitor is a 10 μ F, 6.3 V, X5R/X7R ceramic capacitor with low ESR.

Note that dc bias characterization data is available from capacitor manufacturers and should be taken into account when selecting input and output capacitors. The 6.3 V capacitors are best for most designs. Table 21 provides a list of recommended output capacitors.

Higher output capacitor values reduce the output voltage ripple and improve load transient response. When choosing this value, it is also important to account for the loss of capacitance caused by output voltage dc bias.

Ceramic capacitors have a variety of dielectrics, each with different behavior over temperature and applied voltage. Capacitors must have a dielectric that ensures the minimum capacitance over the necessary temperature range and dc bias conditions. X5R or X7R dielectrics with a voltage rating of 6.3 V or 10 V are recommended for best performance. Y5V and Z5U dielectrics are not recommended for use with any dc-to-dc converter because of their poor temperature and dc bias characteristics.

Table 19. Suggested Inductors

Vendor	Value (μ H)	Part No.	DCR (m Ω)	I _{SAT} (A)	Dimensions L x W x H (mm)
Coilcraft	1.0	XFL3010	43	2.4	3.0 x 3.0 x 1.0
Murata	1.0	LQM32P_G0	60	3	3.2 x 2.5 x 1.0
Würth	1.0	744028001	65	1.5	2.8 x 2.8 x 1.1
Taiyo Yuden	1.0	NR 3015T 1R0N	36	2.1	3.0 x 3.0 x 1.5
FDK	1.0	MIP3226D	40	3	2.5 x 2.0 x 1.2

Table 20. Suggested Input Capacitors

Vendor	Value	Part No.	Dimensions L x W x H (mm)
Murata	10 μ F, 6.3 V	GRM188R60J106ME47	1.6 x 0.8 x 0.8
TDK	10 μ F, 6.3 V	C1608JB0J106K	1.6 x 0.8 x 0.8
Taiyo Yuden	10 μ F, 6.3 V	JMK107BJ106MA	1.6 x 0.8 x 0.8

Table 21. Suggested Output Capacitors

Vendor	Value	Part No.	Dimensions L x W x H (mm)
Murata	10 μ F, 6.3 V	GRM188R60J106ME47	1.6 x 0.8 x 0.8
TDK	10 μ F, 6.3 V	C1608JB0J106K	1.6 x 0.8 x 0.8
Taiyo Yuden	10 μ F, 6.3 V	JMK107BJ106MA	1.6 x 0.8 x 0.8

The worst-case capacitance accounting for capacitor variation over temperature, component tolerance, and voltage is calculated using the following equation:

$$C_{EFF} = C_{OUT} \times (1 - TEMPCO) \times (1 - TOL)$$

where:

C_{EFF} is the effective capacitance at the operating voltage.

$TEMPCO$ is the worst-case capacitor temperature coefficient.

TOL is the worst-case component tolerance.

In this example, the 10 μ F X5R capacitor has the following characteristics:

- $TEMPCO$ from -40°C to $+85^{\circ}\text{C}$ is 15%.
- TOL is 10%.
- C_{OUT} at $V_{OUT}(\text{max}) = 5\text{ V}$, is 3 μF , as shown in Figure 41.

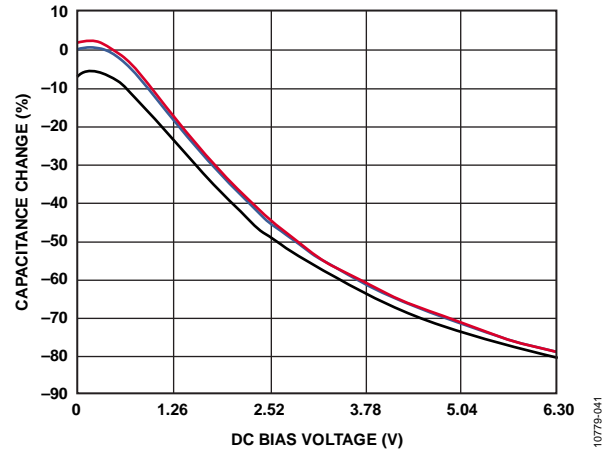


Figure 41. DC Bias Characteristic of a 6.3 V, 10 μF Ceramic Capacitor

Substituting these values in the equation yields

$$C_{EFF} = 3\ \mu\text{F} \times (1 - 0.15) \times (1 - 0.1) = 2.3\ \mu\text{F}$$

The effective capacitance needed for stability, which includes temperature and dc bias effects, is 3.0 μF .

PCB LAYOUT

Poor layout can affect performance, causing electromagnetic interference (EMI) and electromagnetic compatibility (EMC) problems, ground bounce, and power losses. Poor layout can also affect regulation and stability. Figure 42 shows an optimized layout implemented using the following guidelines:

- Place the inductor, input capacitor, and output capacitor close to the IC using short tracks. These components carry high switching frequencies and large currents.
- Route the trace from the inductor to the SW pin, providing as wide a trace as possible. The easiest path is through the center of the output capacitor.
- Route the LED_OUT path away from the inductor and the SW node to minimize noise and magnetic interference.
- Maximize the size of ground metal on the component side to help with thermal dissipation.
- Use a ground plane with two to three vias connected to the component side ground near the output capacitor to reduce noise interference on sensitive circuit nodes.

Analog Devices applications engineers can be contacted through the Analog Devices sales team to discuss different layouts based on system design constraints.

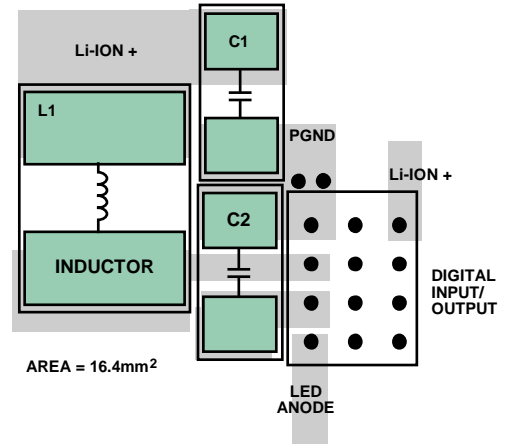


Figure 42. Layout of the ADP1649 Driving a High Power White LED (WLCSP)

PACKAGING AND ORDERING INFORMATION

OUTLINE DIMENSIONS

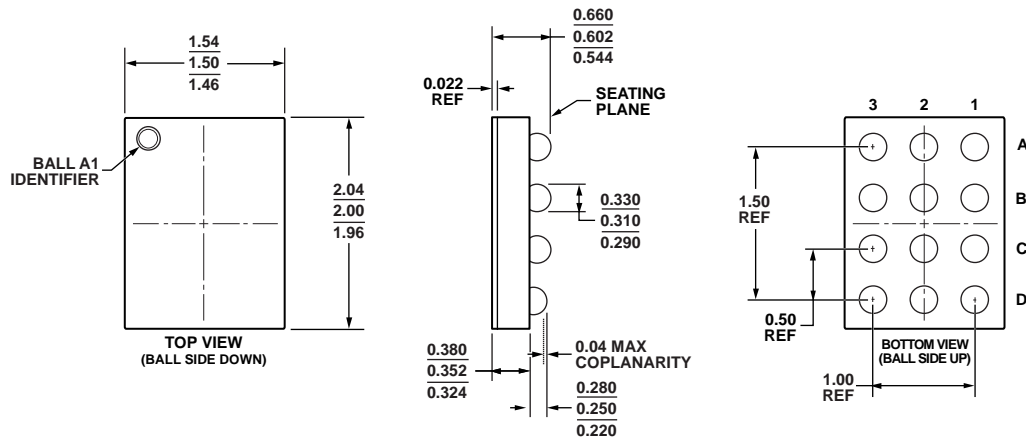


Figure 43. 12-Ball Wafer Level Chip Scale Package [WLCSP] (CB-12-4)

Dimensions shown in millimeters

ORDERING GUIDE

Model ¹	Temperature Range	Package Description	Package Option ²
ADP1649ACBZ-R7	-40°C to +125°C	12-Ball Wafer Level Chip Scale Package [WLCSP]	CB-12-4
ADP1649CB-EVALZ		Evaluation Board WLCSP Package	

¹ Z = RoHS Compliant Part.

² This package option is halide free.

²C refers to a communications protocol originally developed by Philips Semiconductors (now NXP Semiconductors).

Looking for pricing, stock, or lifecycle information?

Click below to explore more details on WIN SOURCE:

 [View ADP1649ACBZ-R7 on WIN SOURCE](#)

 [Analog Devices Inc. Information](#)

Optimize Your Supply Chain with WIN SOURCE Solutions

-  Global Sourcing Solution
-  Obsolete Management
-  Cost Control Management
-  Shortage Management
-  Alternative Solution
-  Excess Inventory Management