



**THE DATASHEET OF
JC0-0351NL**

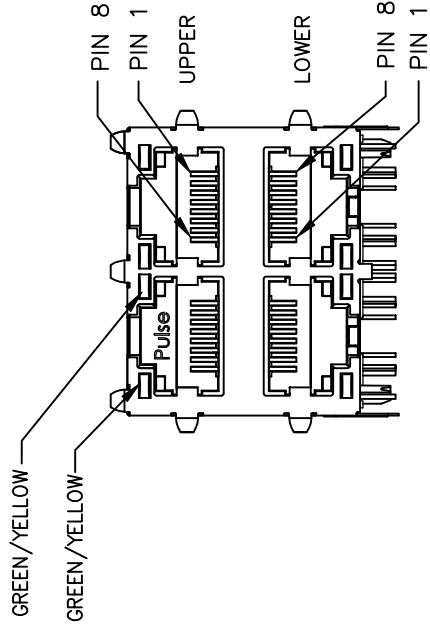
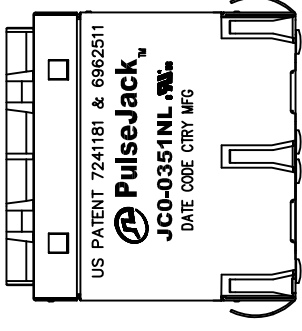


NOTES: UNLESS OTHERWISE SPECIFIED

- THIS COMPONENT CONFORMS TO UL60950 UL FILE NO. IS: E216117.

	ESD APPROVAL
	UL APPROVAL
WARNING: THIS COMPONENT IS RECOGNIZED BY ONE OR MORE SAFETY AGENCIES SUCH AS UL, VDE, CSA AND/OR TUV. ALL ENGINEERING CHANGES MUST HAVE PRIOR APPROVAL BY THE DESIGN CENTER PRODUCT SAFETY DEPARTMENT FOR SAFETY AGENCY COMPLIANCE.	
DATE	

- | | |
|---------|--|
| NOTICE: | THIS IS A RoHS COMPLIANT COMPONENT/PRODUCT. ALL ENGINEERING CHANGES MUST HAVE PRIOR APPROVAL BY THE DESIGN CENTER. |
| | |
- PLASTIC HOUSING: THERMOPLASTIC MATERIAL WITH FLAMMABILITY RATING UL 94V-0 OR BETTER.
- CONTACT BASE MATERIAL: PHOSPHOR BRONZE.
- CONTACTS UNDERPLATE: 30-50 MICRONS DUCTILE NICKEL.
- CONTACTS PLATING: 30 MICRO-INCH GOLD PLATING.
- SOLDER TAIL PLATING MATERIAL: 200-500 μINCHES 100% TIN, MATTE FINISH.
- METAL SHIELD: NICKEL PLATING ON COPPER ALLOY.
- JACK CAVITY CONFORMS TO FCC RULES AND REGULATIONS PART 68 SUBPART F.
- PCB PLATING: HASL (TOP PCB)
ENIG (BOTTOM PCB)
- SOLDERABILITY: CONFORMS TO ANSI/J-STD-002, IPC/EIA J-STD-003A.
- OPERATING TEMPERATURE: 0°C TO +70°C
- STORAGE TEMPERATURE: -20°C TO +125°C
- JEDEC MOISTURE: LEVEL 1.
- DIMENSIONS ARE IN INCHES [MILLIMETERS] WITH THE FOLLOWING TOLERANCES: [MILLIMETERS] ARE FOR REFERENCE ONLY.
.XX± ±.02 [±0.5]
.XXX± ±.010 [±0.25]



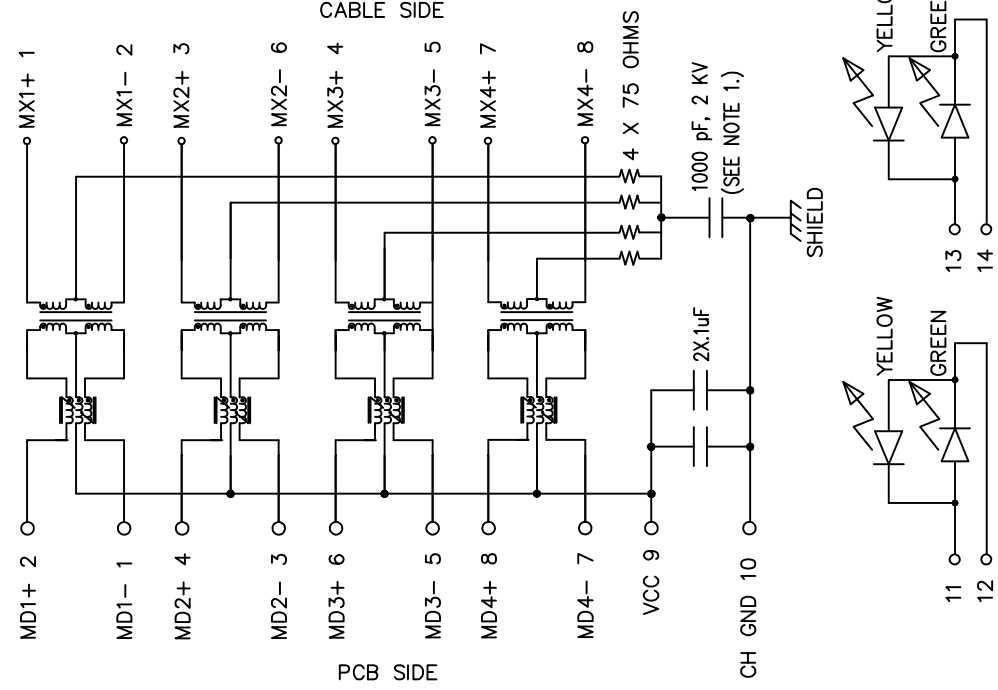
FINAL

© Copyright, 2017, Pulse Electronics Corp. All rights reserved. Pulse confidential & proprietary. (11/06/17)

PRODUCT DESCRIPTION	TLA DRAWING	PS DRAWING	SHEET
CONN,RJ45,2X2,1GD,1:1,TY	JCO-0351NL-16	PS-2416.121-A	1 OF 4

F-MAIL : PRODINFONETWORK@PULSEELECTRONICS.COM(US). ASIA@PULSEELECTRONICS.COM(ASIA)

PHONE: USA: 858 674 8100. GERMANY: 49 7032 78060. SINGAPORE: 65



SCHEMATIC
EACH PORT (4 PLACES)

NOTE 1: HIGH-VOLTAGE CAPACITOR IS COMMON FOR UPPER AND LOWER PORTS.

ELECTRICAL CHARACTERISTICS AT
(FOR REFERENCE ONLY. USED F

PARAMETER	
OPERATING TEMP	
TURNS RATIO	
POLARITY	
INSERTION LOSS	100 KHz -1.2 dB MAX
RETURN LOSS (Z OUT = 100 OHM ±15%)	.1-40 MHz -18 dB MIN
INDUCTANCE (OCL) (MEDIA SIDE, 0°C-70°C)	350 uH MIN
CROSSTALK, ADJACENT CHANNELS	1 MHz -50 dB MIN
COMMON MODE REJECTION RATIO	2 MHz -50 dB MIN
INPUT - OUTPUT ISOLATION	225

NOTE: f IS FREQUENCY IN MHZ.

EMMITTED COLOR	GREEN
WAVELENGTH (nm)	570 nm
BRIGHTNESS (mCD)	8 TYP. AT 20 m
VIEWING ANGLE	100°
POWER DISSIPATION (Pd)	80 mW MAX 2.0 TO 2.6 (UPPER PO 2.2 TO 2.8 (LOWER PO
FORWARD VOLTAGE (Vf)	5.0 V MAX

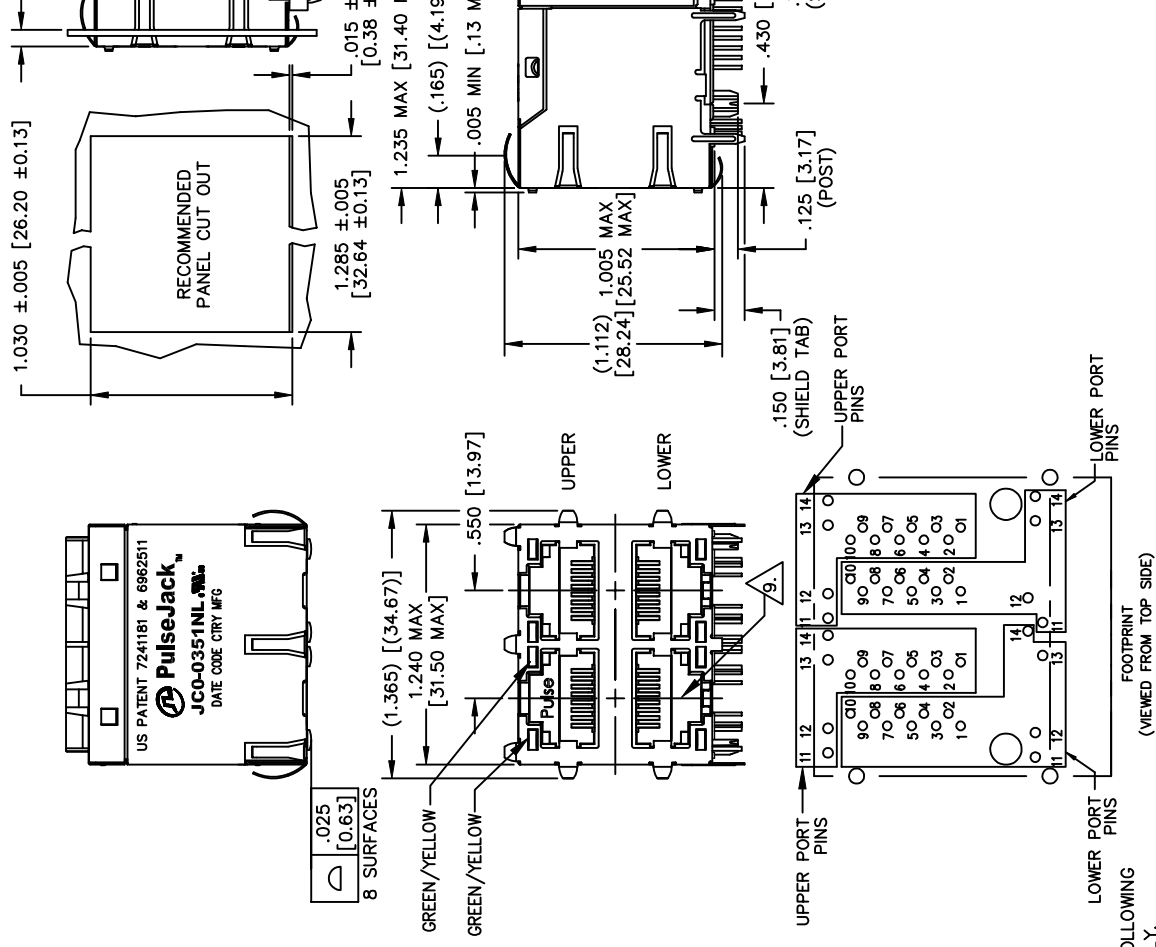
NOTE: PER VENDOR'S SPECIFICATIONS

© Copyright, 2017, Pulse Electronics Corp. All rights reserved. Pulse confidential & proprietary. (11/06/17)

PRODUCT DESCRIPTION	TLA DRAWING	PS DRAWING	SHEET
CONN,RJ45,2X2,1GD,1:1,TY	JCO-0351NL-16	PS-2416.121-A	2 OF 4

F-MAIL: PRODINFONETWORK@PULSEELECTRONICS.COM(US). ASIA@PULSEELECTRONICS.COM(Asia)

PHONE: USA: 858 674 8100. GERMANY: 49 7032 78060. SINGAPORE: 65

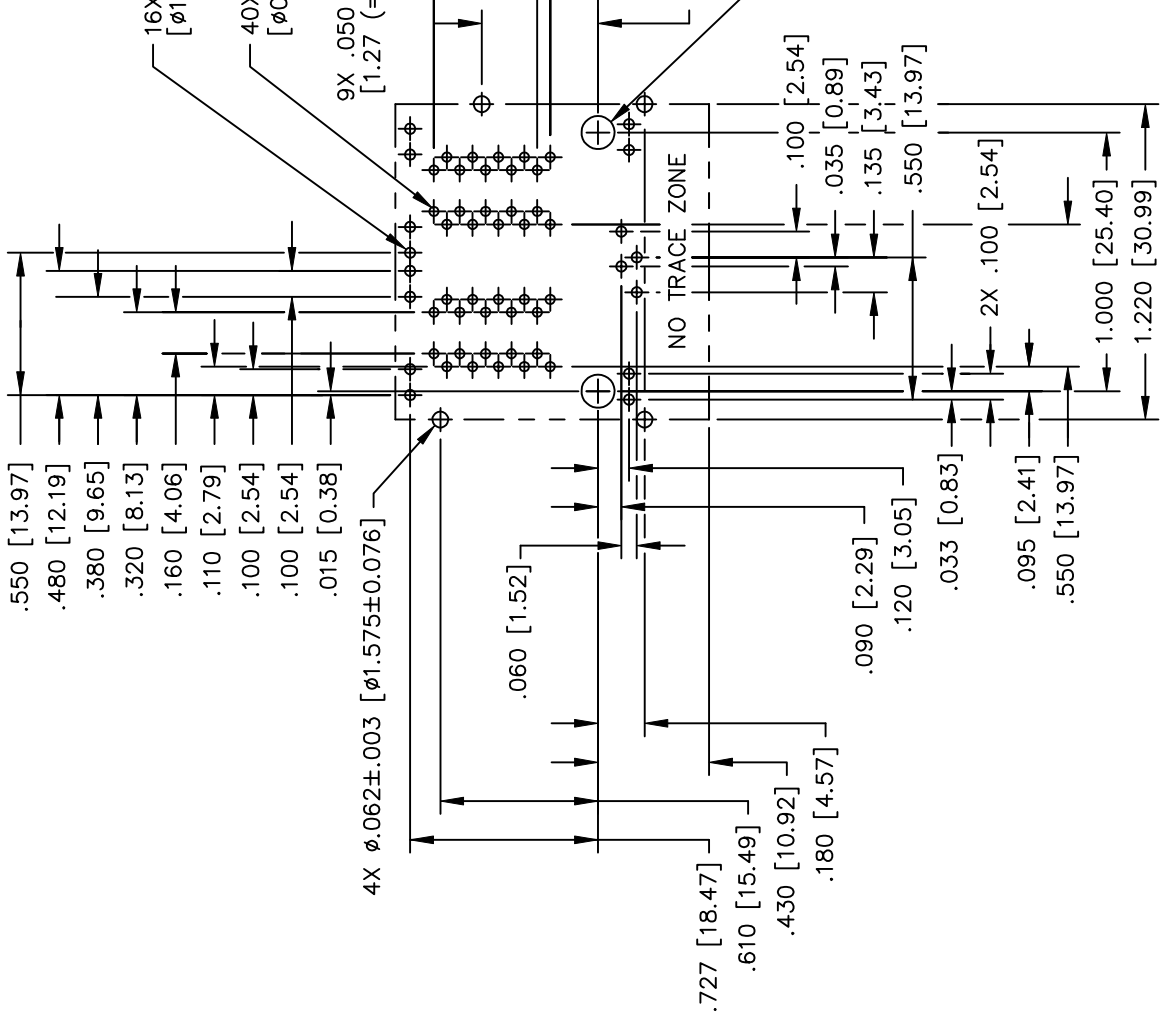


DIMENSIONS ARE IN INCHES [MILLIMETERS] WITH THE FOLLOWING TOLERANCES: [MILLIMETERS] ARE FOR REFERENCE ONLY.
 .XX= ±.02 [±0.5]
 .XXX= ±.010 [±0.25]

© Copyright, 2017. Pulse Electronics Corp. All rights reserved. Pulse confidential & proprietary. (11/06/17)

PRODUCT DESCRIPTION	TLA DRAWING	PS DRAWING	SHEET
CONN,RJ45,2X2,1GD,1:1,TY	JCO-0351NL-16	PS-2416.121-A	3 OF 4

F-MAIL : PRODINFONETWORK@PULSEELECTRONICS.COM(US). ASIA@PULSEELECTRONICS.COM(Asia) PHONE:USA:858 674 8100. GERMANY:49 7032 78060. SINGAPORE:65



SUGGESTED PC BOARD LAYOUT VIEWED FROM COMPONENT
UNLESS OTHERWISE SPECIFIED DIMENSIONAL TOLERANCE



© Copyright, 2017. Pulse Electronics Corp. All rights reserved. Pulse confidential & proprietary. (11/06/17)

PRODUCT DESCRIPTION	TLA DRAWING	PS DRAWING	SHEET
CONN,RJ45,2X2,1GD,1:1,TY	JCO-0351NL-16	PS-2416.121-A	4 OF 4

F-MAIL : PRODINFONETWORK@PULSEELECTRONICS.COM(US). ASIA@PULSEELECTRONICS.COM(ASIA) PHONE: USA: 858 674 8100. GERMANY: 49 7032 78060. SINGAPORE: 65

Looking for pricing, stock, or lifecycle information?

Click below to explore more details on WIN SOURCE:

-  [View JC0-0351NL on WIN SOURCE](#)
-  [Pulse Information](#)

Optimize Your Supply Chain with WIN SOURCE Solutions

-  Global Sourcing Solution
-  Obsolete Management
-  Cost Control Management
-  Shortage Management
-  Alternative Solution
-  Excess Inventory Management