



**THE DATASHEET OF
JXC0-0351NL**



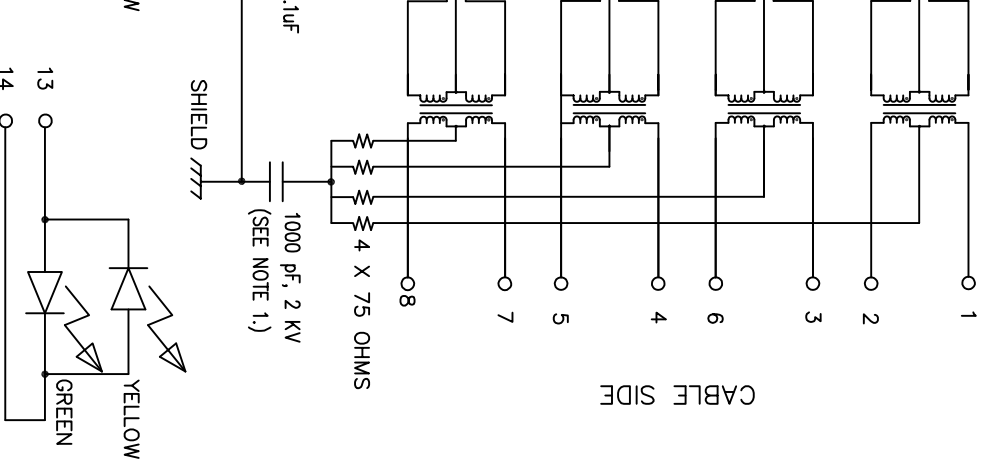
ELECTRICAL CHARACTERISTICS AT +25°C UNLESS OTHER SPECIFIED
(FOR REFERENCE ONLY. USED FOR CUSTOMER INFORMATION.)

PARAMETER	SPECIFICATIONS	
OPERATING TEMP	-40°C TO +85°C	
TURNS RATIO	1.00 ± 2%	
POLARITY	PER SCHEMATIC	
INSERTION LOSS	100 KHz	1-125 MHz
	-1.2 DB MAX	-0.2-0.002*f ^{1.4} DB MAX
RETURN LOSS	.1-40 MHz	40-100 MHz
(Z OUT = 100 OHM ±15%)	-18 DB MIN	-12+20*LOG ₁₀ (f/80 MHz) DB MIN
INDUCTANCE (OCL) (MEDIA SIDE, -40°C~+85°C)	350 uH MIN	(MEASURED AT 100 KHz, 100 mVRMS) (AND WITH 8 mA DC BIAS)
CROSSTALK, ADJACENT CHANNELS	1 MHz	10-100 MHz
	-50 DB MIN	-55+22*LOG ₁₀ (f/10) DB MIN
COMMON MODE REJECTION RATIO	2 MHz	30-200 MHz
	-50 DB MIN	-15+20*LOG ₁₀ (f/200) DB MIN
INPUT - OUTPUT ISOLATION	2250 VDC MIN @ 60 SECONDS	

NOTE: f IS FREQUENCY IN MHZ.

EMMITTED COLOR	GREEN	YELLOW
WAVELENGTH (nm)	570 nm	587 nm
BRIGHTNESS (mcd)	8 TYP. AT 20 mA	6.5 TYP. AT 20 mA
VIEWING ANGLE	100°	100°
POWER DISSIPATION (Pd)	80 mW MAX	80 mW MAX
FORWARD VOLTAGE (Vf)	2.0 TO 2.6 V (UPPER PORT) 2.2 TO 2.8 V (LOWER PORT)	2.1 TO 2.6 V (UPPER PORT) 2.15 TO 2.8 V (LOWER PORT)
REVERSE VOLTAGE (Vr)	5.0 V MAX	5.0 V MAX

NOTE: PER VENDOR'S SPECIFICATIONS

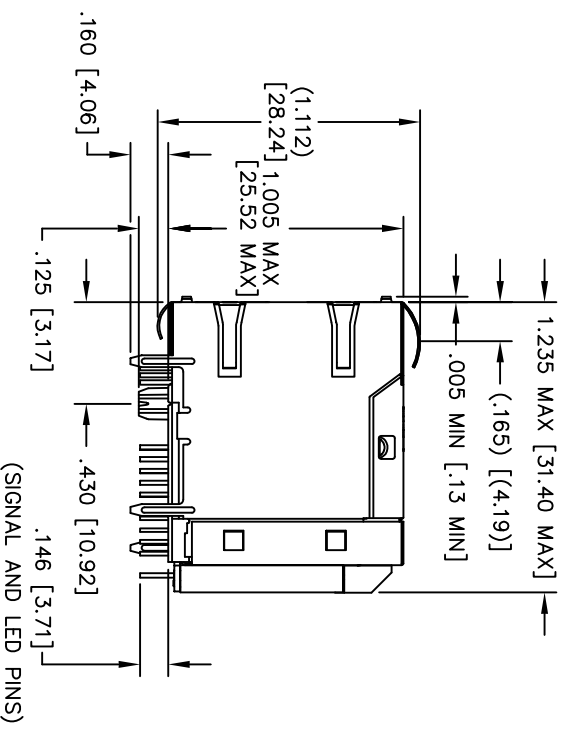
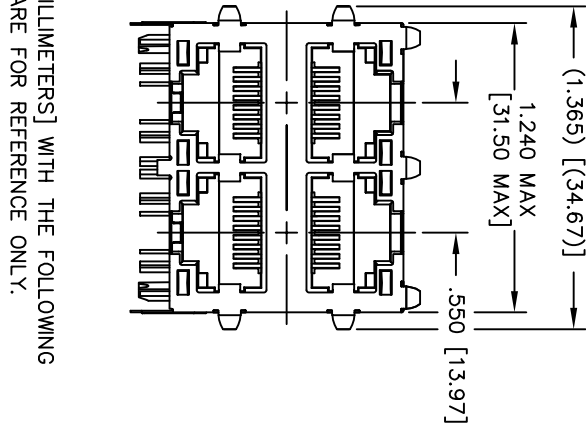
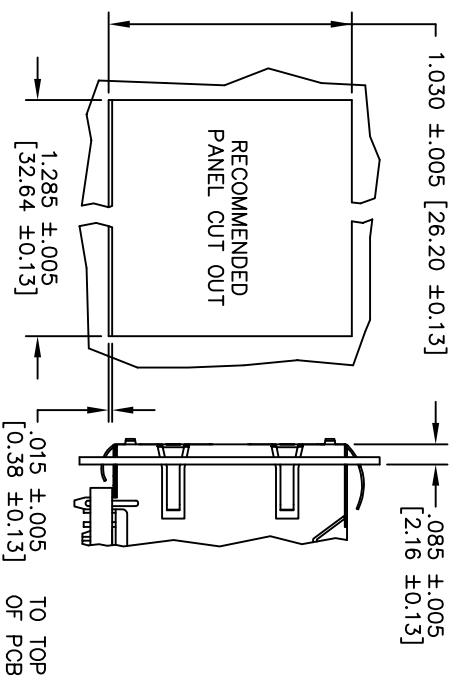
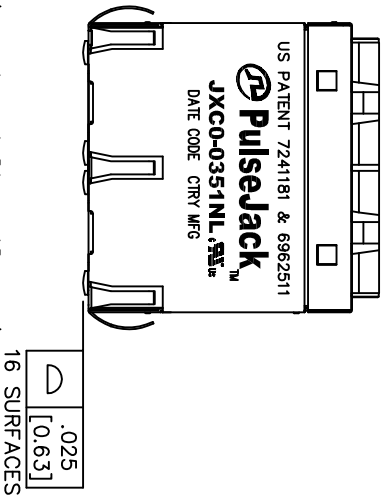


SCHEMATIC
PORT (4 PLACES)

FACTORY IS COMMON FOR UPPER AND LOWER PORTS.

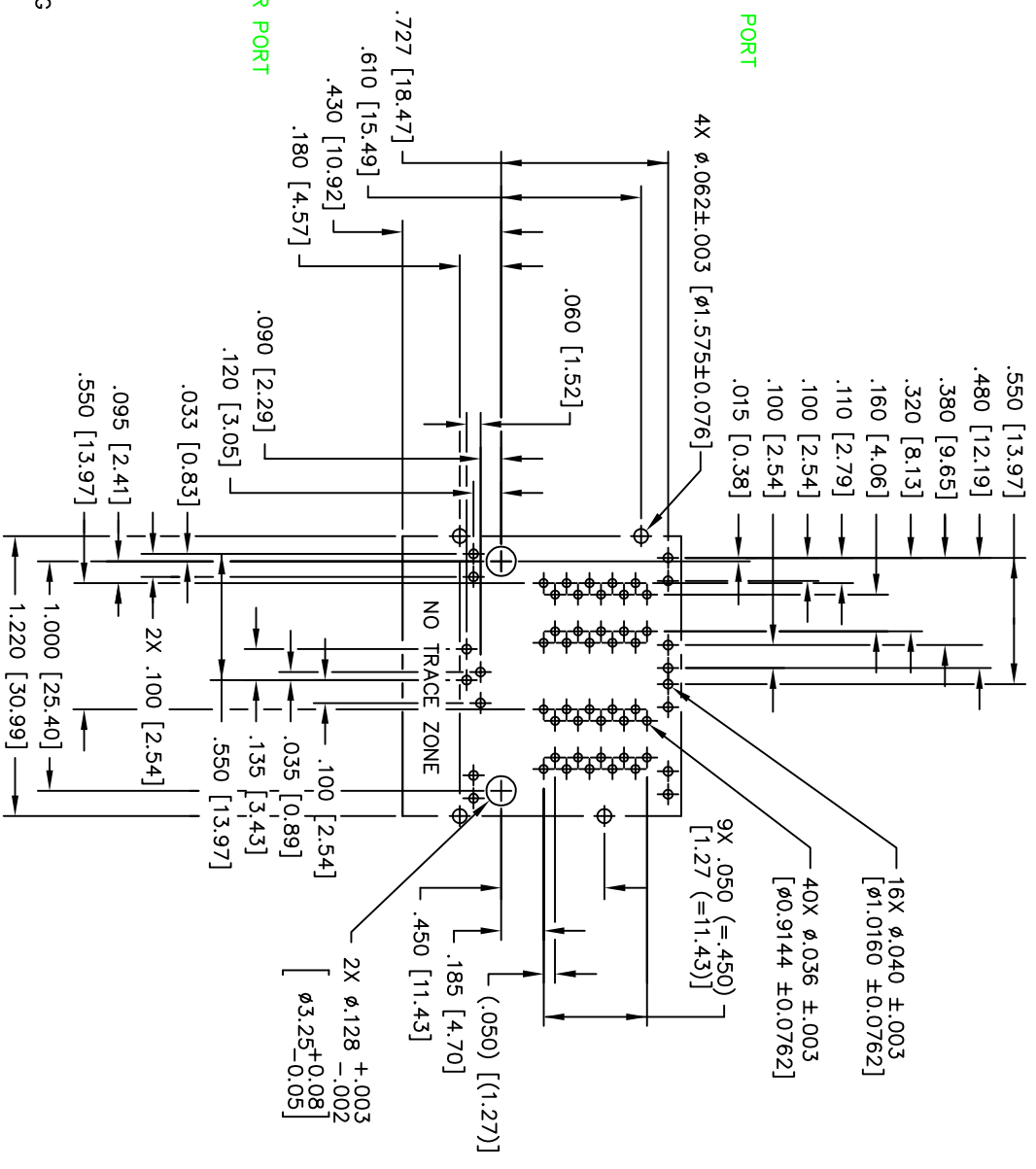
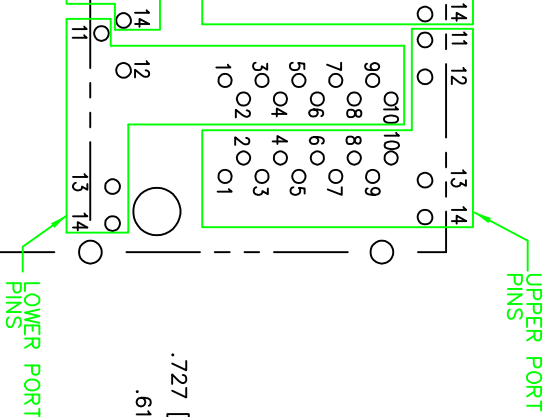
Pulse Corp. All rights reserved. Pulse confidential & proprietary. (12/18/15)

TLA DRAWING	PS DRAWING	SHEET	PART NO.	DATASHEET REV.
JXC0-0351NL-11	PS-2416.121-A	2 OF 4	JXC0-0351NL	A



electronics Corp. All rights reserved. Pulse confidential & proprietary. (12/18/15)

TLA DRAWING	PS DRAWING	SHEET	PART NO.	DATASHEET REV.
JXC0-0351NL-11	PS-2416.121-A	3 OF 4	JXC0-0351NL	A



ALL DIMENSIONS WITH THE FOLLOWING TOLERANCES ARE FOR REFERENCE ONLY.

Pulse Electronics Corp. All rights reserved. Pulse confidential & proprietary. (12/18/15)

TLA DRAWING	PS DRAWING	SHEET	PART NO.	DATE SHEET REV.
JXCO-0351NL-11	PS-2416.121-A	4 OF 4	JXCO-0351NL	A

Looking for pricing, stock, or lifecycle information?

Click below to explore more details on WIN SOURCE:

 [View JXC0-0351NL on WIN SOURCE](#)

 [Pulse Information](#)

Optimize Your Supply Chain with WIN SOURCE Solutions

-  Global Sourcing Solution
-  Obsolete Management
-  Cost Control Management
-  Shortage Management
-  Alternative Solution
-  Excess Inventory Management