



THE DATASHEET OF
979-009-030R121



HELL - DIE CAST

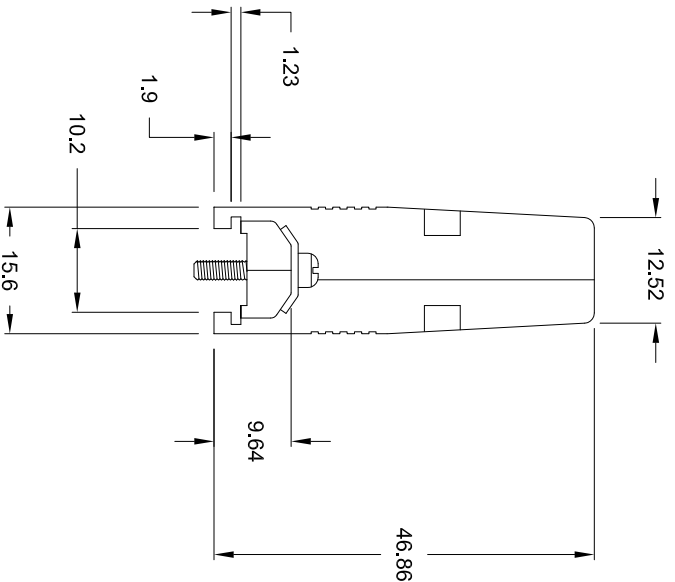
±0.3
INDICATED

DESIGNED TO ACCOMMODATE STANDARD:
D-SUB - Shell Size 1

BACKSHELL KIT INCLUDES:

- 2 - BACKSHELL HALVES
- 2 - 4-40 MATING SCREWS
- 2 - SADDLE WASHERS
- 2 - HOUSING SCREWS
- 2 - HOUSING NUTS
- 1 - GROMMET TREE - VARIOUS SIZES
(NON-CONDUCTIVE GROMMETS)

10.4
Max. CABLE Ø



MATERIAL: DIE-CAST ZINC ALLOY
 PLATING: NICKEL
 OPERATING TEMPERATURE: -45°C TO +120°C

SERIES _____
 POSITIONS _____
 009 _____

979-009-030 R 12 1

MATERIAL _____
 030 = ZINC
 ROHS COMPLIANT _____
 R = HIGH TEMP. PROCESS
 PLATING _____
 12 = NICKEL
 PUT-UPS _____
 1 = KIT

UNITS = mm

DO NOT SCALE FROM DRAWING



THESE DRAWINGS AND SPECIFICATIONS ARE THE PROPERTY OF NorComp AND SHALL NOT BE REPRODUCED, COPIED OR USED AS THE BASIS FOR THE MANUFACTURE OF SALE OF APPARATUS WITHOUT WRITTEN PERMISSION.

DRAWN: **C. SMITH** DATE: **04-20-10**

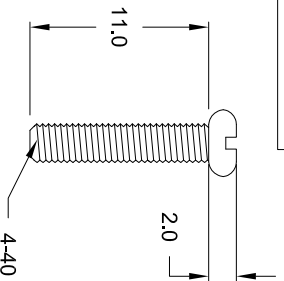
SCALE: **NTS** SHEET **1** OF **2** REV **6**

DWG NO. **979-009-030R121**

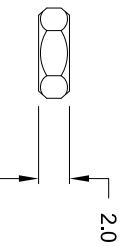
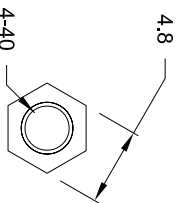
COMPLIANT

NorComp

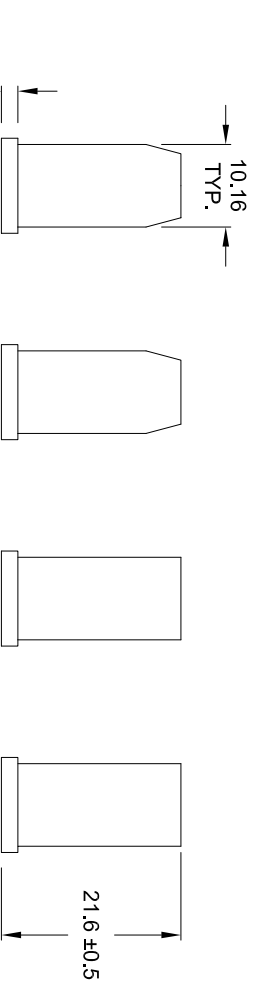
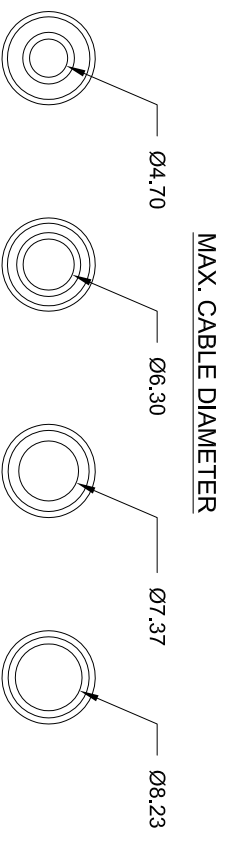
HELL - HARDWARE



HOUSING SCREW



HOUSING NUT



MATERIAL: NON CONDUCTIVE PVC - BLACK
P/N: 162-000-925R000

UNITS = mm

DO NOT SCALE FROM DRAWING

HARDWARE:

SERIAL = STEEL
FINISHING = NICKEL



THESE DRAWINGS AND SPECIFICATIONS ARE THE PROPERTY OF NorComp AND SHALL NOT BE REPRODUCED, COPIED OR USED AS THE BASIS FOR THE MANUFACTURE OF SALE OF APPARATUS WITHOUT WRITTEN PERMISSION.

DRAWN:

C. SMITH

DATE:

04-20-10

SCALE:

NTS

SHEET

2

OF

2

REV

6

DWG NO.

979-009-030R121

COMPLIANT

NorComp

Looking for pricing, stock, or lifecycle information?

Click below to explore more details on WIN SOURCE:

 [View 979-009-030R121 on WIN SOURCE](#)

 [NorComp Inc. Information](#)

Optimize Your Supply Chain with WIN SOURCE Solutions

-  Global Sourcing Solution
-  Obsolete Management
-  Cost Control Management
-  Shortage Management
-  Alternative Solution
-  Excess Inventory Management