



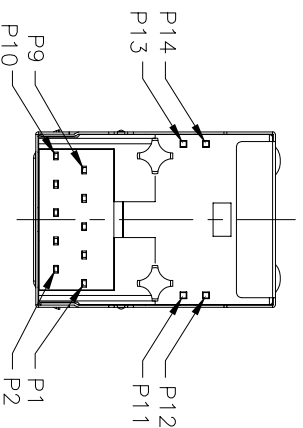
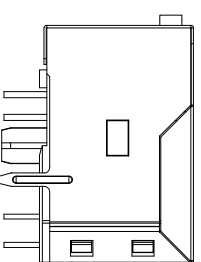
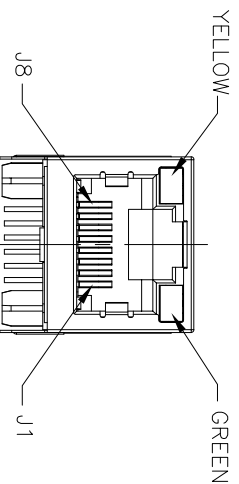
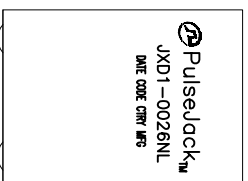
**THE DATASHEET OF
JXD1-0026NL**



ACK UL94 V-0

30 MICRO-INCHS MIN
 GOLD, 30 MICRO-INCHS MIN
 T AREA
 NECTED MAYBE OMITTED SEE
 OMITTED PINS
 FCC RULES AND REGULATION

D FOR WAVE SOLDERING
 TEMPERATURE IS
 -40°C TO +85°C.
 40°C TO +85°C.

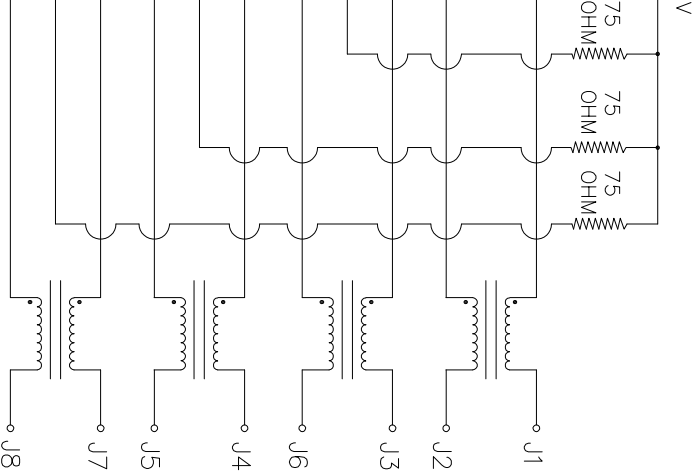


FINAL OUTLINE

electronics Corp. All rights reserved. Pulse confidential & proprietary. (05/17/17)

TLA DRAWING	PS DRAWING	SHEET	PART NO.	DATASHEET REV.
JXD1-0026NL-X1	-	1 OF 5	JXD1-0026NL	A

(USA), ASIA@PULSEELECTRONICS.COM(Asia) PHONE:USA:858 674 8100, GERMANY:49 7032 78060, SINGAPORE:65 6287 8998, SHANGHAI:86 21 62787060, TAIWAN:886 3 4356768



ELECTRONICAL SPECIFICATIONS:

- TURN RATIO @100KHZ: (P2~P3):(J1~J2) = 1:1±5%
(P4~P5):(J3~J6) = 1:1±5%
(P6~P7):(J4~J5) = 1:1±5%
(P8~P9):(J7~J8) = 1:1±5%
- PRIMARY INDUCTANCE: 350uH MIN @100KHZ,0.1V 8mA DC BIAS
- DC RESISTANCE: 1.2 OHMS MAX
- INSERTION LOSS: 1-100MHz -1.0dB MAX
100-125MHz -1.2dB MAX
- RETURN LOSS: 1-40MHz -16dB MIN
40-60MHz -12dB MIN
60-80MHz -10dB MIN
80-100MHz -8dB MIN
- CROSS TALK: 1-100MHz -30dB MIN
- COMMON TO COMMON MODE ATTENUATION: 1-100MHz -30dB MIN
- ISOLATION: PHY SIDE TO LINE SIDE: 2250VDC

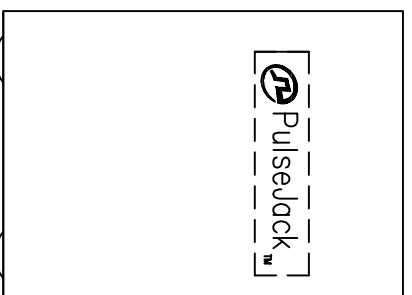
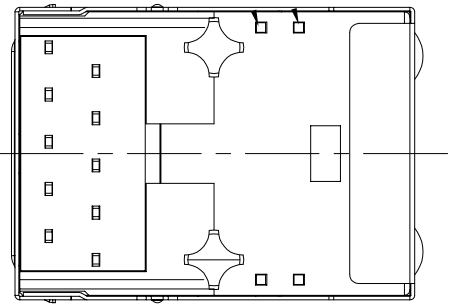
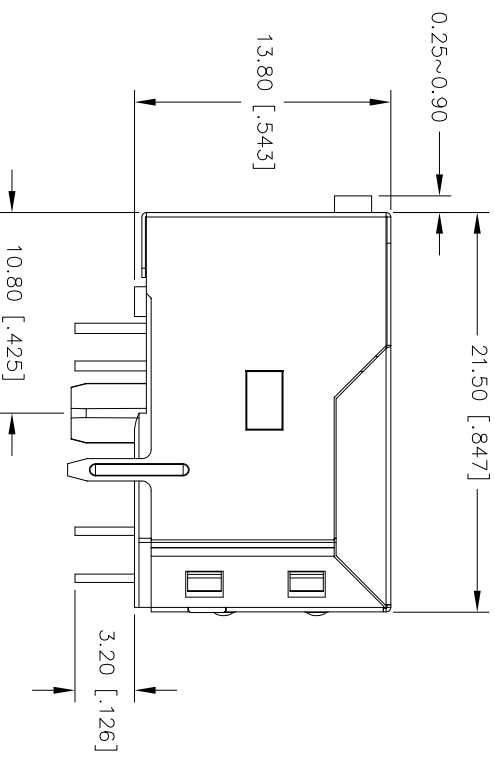
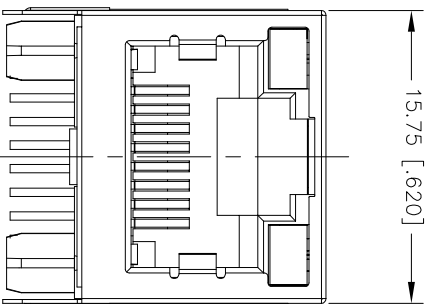
LED SPECIFICATION

STANDARD LED	WAVELENGTH	FORWARD V(max)	TYP
GREEN	565nm	2.4V	2.2V
YELLOW	590nm	2.5V	2.1V

*WITH A FORWARD CURRENT OF 20mA

Electronics Corp. All rights reserved. Pulse confidential & proprietary. (05/17/17)

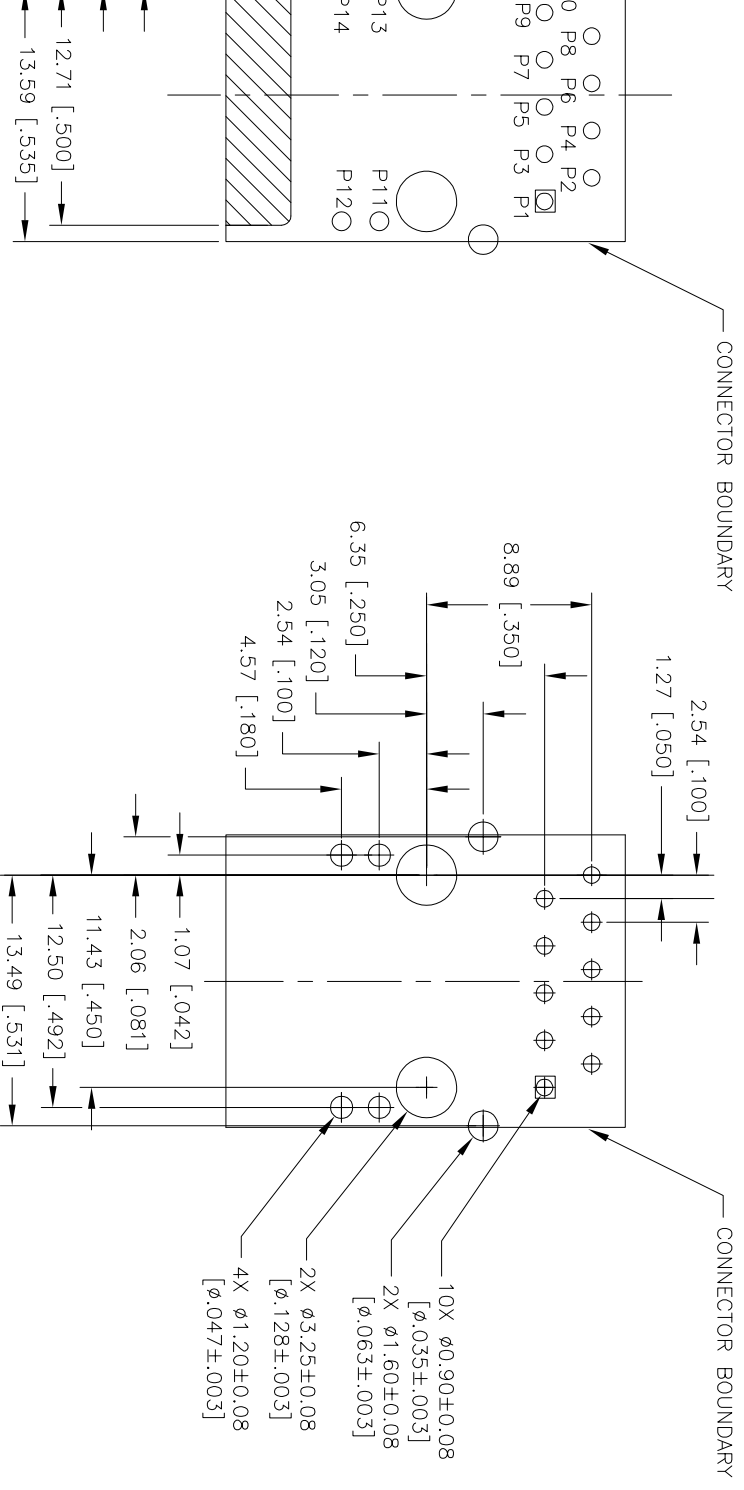
TLA DRAWING	PS DRAWING	SHEET	PART NO.	DATASHEET REV.
JXD1-0026NL-X1	-	2 OF 5	JXD1-0026NL	A



S [INCHES] WITH THE FOLLOWING
 OR REFERENCE ONLY.

nics Corp. All rights reserved. Pulse confidential & proprietary. (05/17/17)

TLA DRAWING	PS DRAWING	SHEET	PART NO.	DATASHEET REV.
JXD1-0026NL-X1	-	3 OF 5	JXD1-0026NL	A



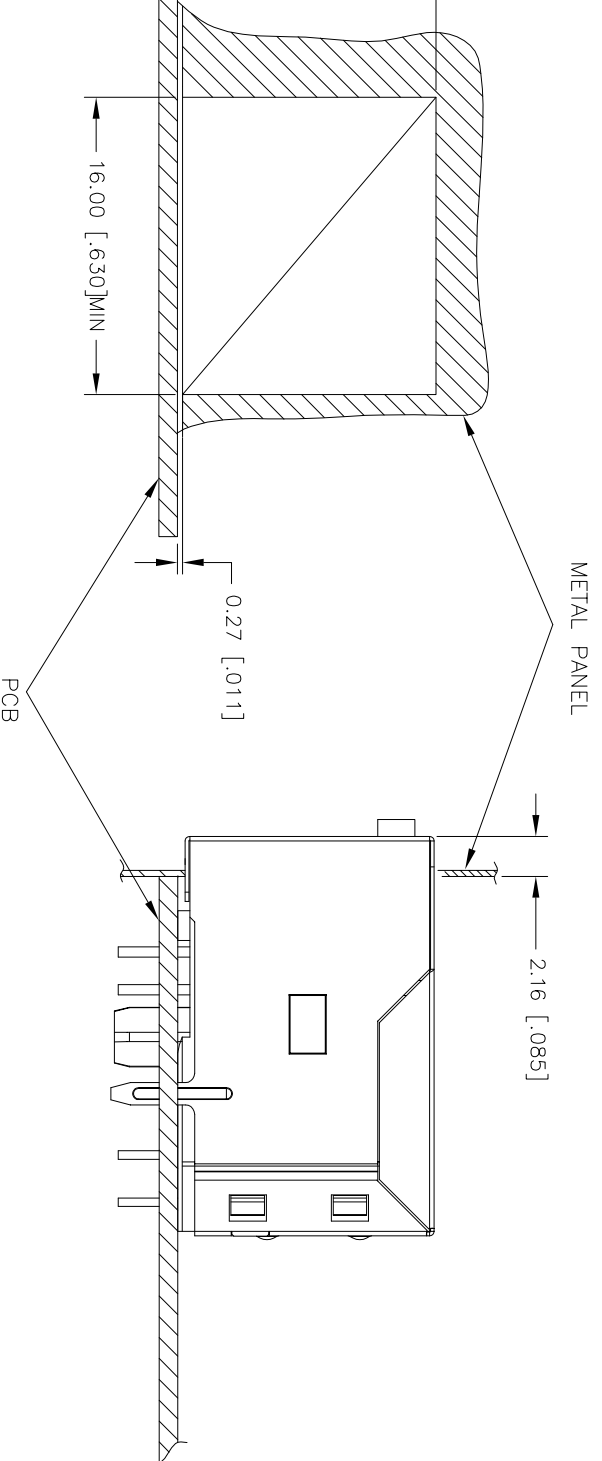
RECOMMENDED PWB LAYOUT
(COMPONENT SIDE SHOWN)

A (COMPONENT SIDE SHOWN)

AS [INCHES] WITH THE FOLLOWING
FOR REFERENCE ONLY.

electronics Corp. All rights reserved. Pulse confidential & proprietary. (05/17/17)

TLA DRAWING	PS DRAWING	SHEET	PART NO.	DATASHEET REV.
JXD1-0026NL-X1	-	4 OF 5	JXD1-0026NL	A



S [INCHES] WITH THE FOLLOWING
 OR REFERENCE ONLY.

nics Corp. All rights reserved. Pulse confidential & proprietary. (05/17/17)

TLA DRAWING	PS DRAWING	SHEET	PART NO.	DATASHEET REV.
JXD1-0026NL-X1	-	5 OF 5	JXD1-0026NL	A

Looking for pricing, stock, or lifecycle information?

Click below to explore more details on WIN SOURCE:

 [View JXD1-0026NL on WIN SOURCE](#)

 [Pulse Information](#)

Optimize Your Supply Chain with WIN SOURCE Solutions

-  Global Sourcing Solution
-  Obsolete Management
-  Cost Control Management
-  Shortage Management
-  Alternative Solution
-  Excess Inventory Management