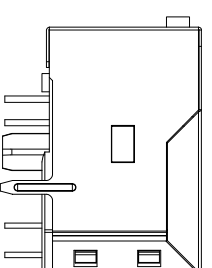
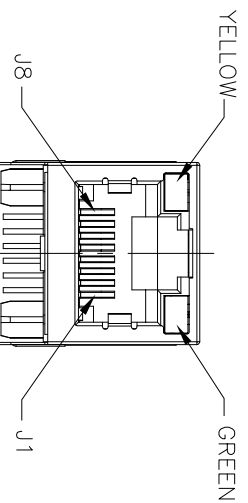
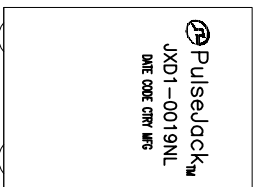


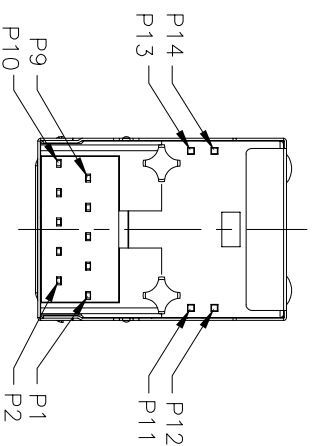


**THE DATASHEET OF
JXD1-0019NL**





MICRO-INCHS MIN
 TYPE OMITTED SEE
 S AND REGULATION
 E SOLDERING
 RE IS
 +85°C.
 85°C.



FINAL OUTLINE

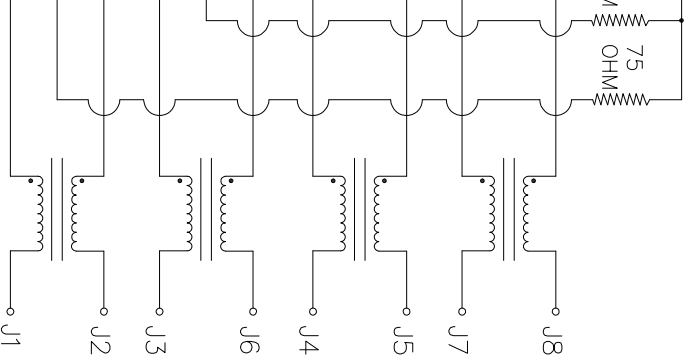
All rights reserved. Pulse confidential & proprietary. (04/21/17)

TLA DRAWING	PS DRAWING	SHEET	PART NO.	DATASHEET REV.
XD1-0019NL-X1	-	1 OF 5	JXD1-0019NL	A

PHONE: USA: 858 674 8100, GERMANY: 49 7032 78060, SINGAPORE: 65 6287 8998, SHANGHAI: 86 21 62787060, TAIWAN: 886 3 4356788

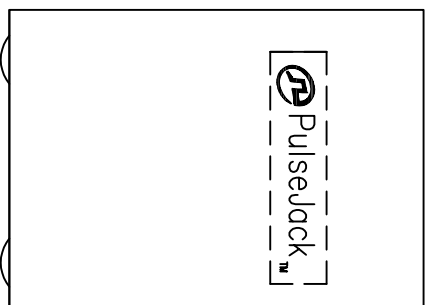
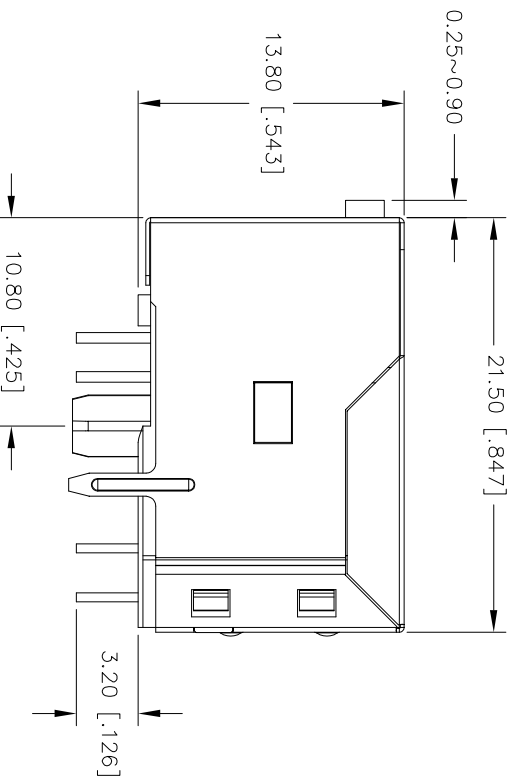
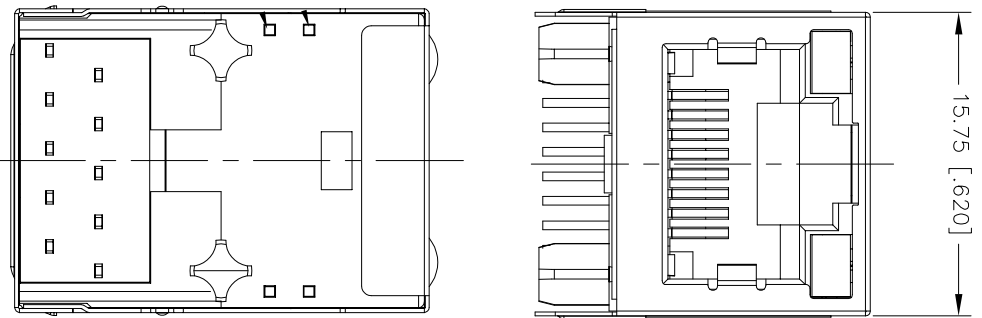
ELECTRONICAL SPECIFICATIONS:

1. TURN RATIO @100KHZ: (P9~P8):(J1~J2) = 1:1±5%
(P7~P6):(J3~J6) = 1:1±5%
(P5~P4):(J4~J5) = 1:1±5%
(P3~P2):(J7~J8) = 1:1±5%
2. PRIMARY INDUCTANCE: 350uH MIN @100KHZ,0.1V 8mA DC BIAS
3. DC RESISTANCE: 1.2 OHMS MAX
4. INSERTION LOSS: 1-100MHZ -1.0dB MAX
100-125MHZ -1.2dB MAX
5. RETURN LOSS: 1-40MHZ -16dB MIN
40-60MHZ -12dB MIN
60-80MHZ -10dB MIN
80-100MHZ -8dB MIN
6. CROSS TALK: 1-100MHZ -30dB MIN
7. COMMON TO COMMON MODE ATTENUATION: 1-100MHZ -30dB MIN
8. ISOLATION: PHY SIDE TO LINE SIDE: 2250VDC



STANDARD LED	WAVELENGTH	FORWARD V(max)	TYP
GREEN	565nm	2.4V	2.2V
YELLOW	590nm	2.5V	2.1V

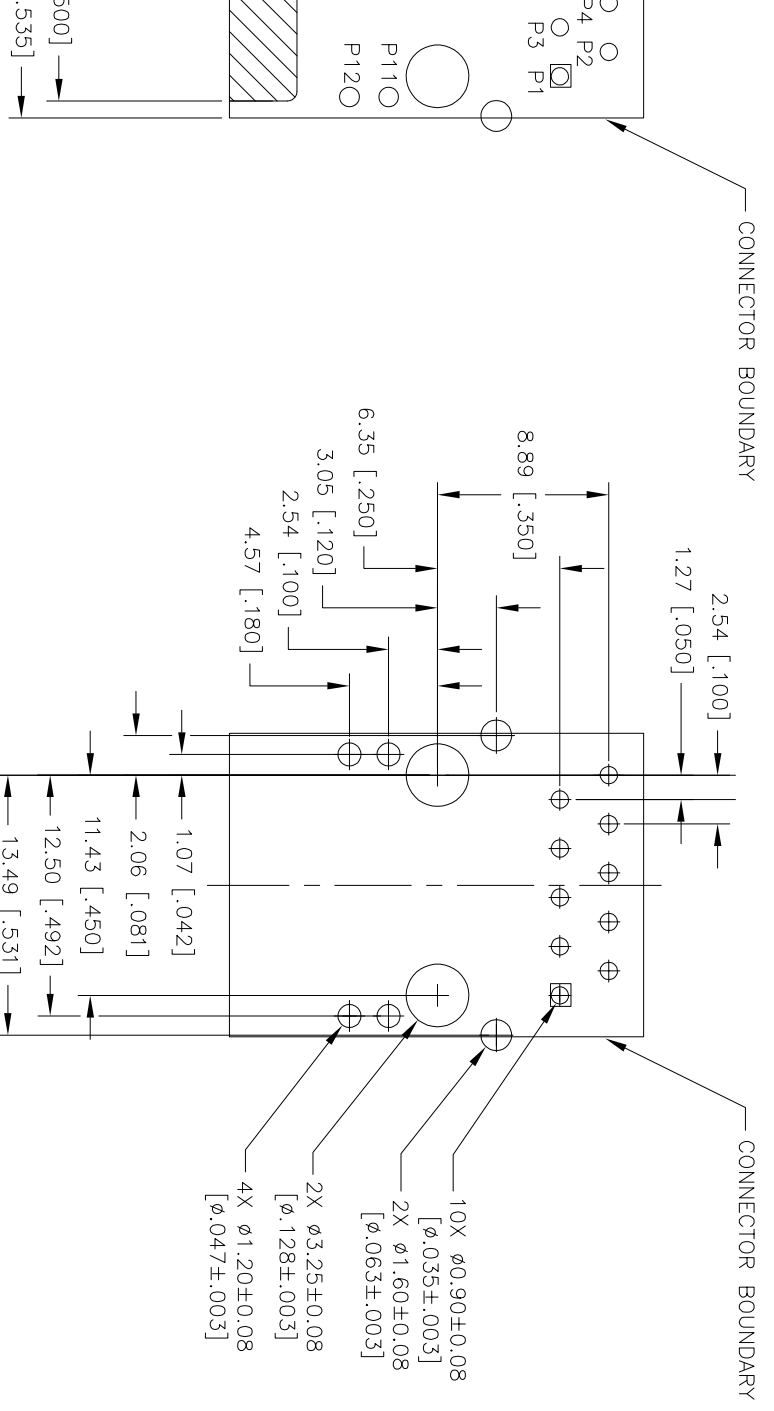
*WITH A FORWARD CURRENT OF 20mA



WITH THE FOLLOWING
 NCE ONLY.

All rights reserved. Pulse confidential & proprietary. (04/21/17)

TLA DRAWING	PS DRAWING	SHEET	PART NO.	DATASHEET REV.
XD1-0019NL-X1	-	3 OF 5	JXD1-0019NL	A



RECOMMENDED PWB LAYOUT
(COMPONENT SIDE SHOWN)

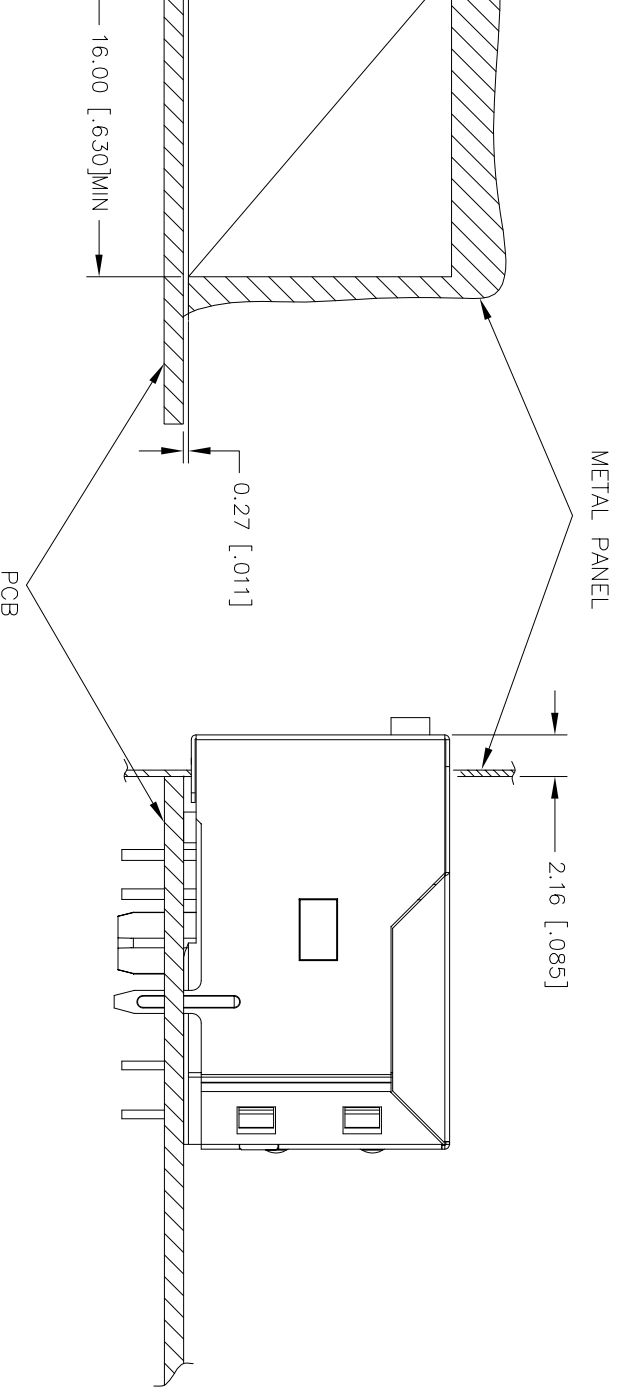
COMPONENT SIDE SHOWN)

WITH THE FOLLOWING
STATEMENT ONLY.

All rights reserved. Pulse confidential & proprietary. (04/21/17)

TLA DRAWING	PS DRAWING	SHEET	PART NO.	DATASHEET REV.
XD1-0019NL-X1	-	4 OF 5	JXD1-0019NL	A

ELECTRONICS.COM(Asia) PHONE:USA:858 674 8100, GERMANY:49 7032 78060, SINGAPORE:65 6287 8998, SHANGHAI:86 21 62787060, TAIWAN:886 3 4356788



SUGGESTED PANEL CUTOUT

WITH THE FOLLOWING
INFORMATION ONLY.

All rights reserved. Pulse confidential & proprietary. (04/21/17)


TLA DRAWING	PS DRAWING	SHEET	PART NO.	DATASHEET REV.
XD1-0019NL-X1	-	5 OF 5	JXD1-0019NL	A

PH: 651-281-8888 FAX: 651-281-8889
 PHONE: USA: 858 674 8100, GERMANY: 49 7032 78060, SINGAPORE: 65 6287 8998, SHANGHAI: 86 21 62787060, TAIWAN: 886 3 4356768

Looking for pricing, stock, or lifecycle information?

Click below to explore more details on WIN SOURCE:

 [View JXD1-0019NL on WIN SOURCE](#)

 [Pulse Information](#)

Optimize Your Supply Chain with WIN SOURCE Solutions

-  Global Sourcing Solution
-  Obsolete Management
-  Cost Control Management
-  Shortage Management
-  Alternative Solution
-  Excess Inventory Management