



**THE DATASHEET OF  
DL1-156R**



cannon

DL Series ZIF connectors



ITT

## *A Historical Achievement of Technology Leadership*

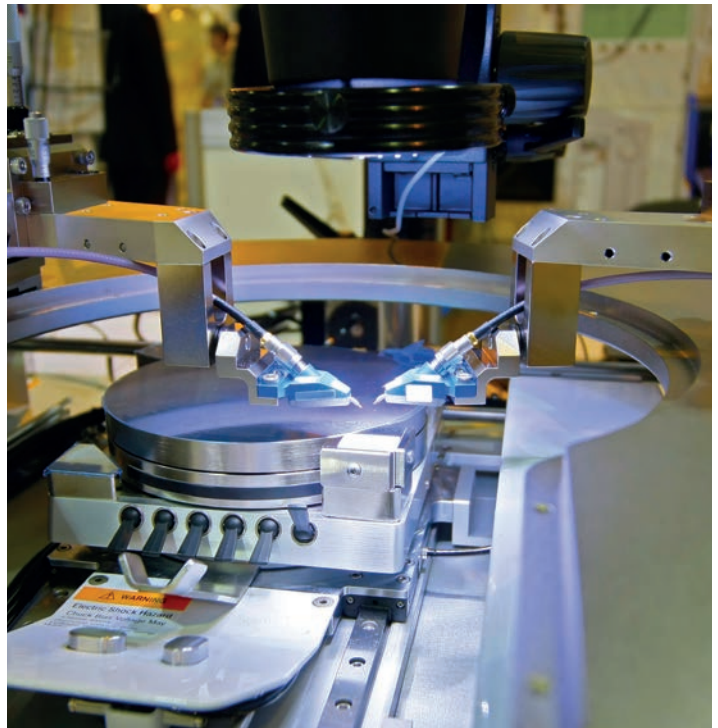
---

### Defining and Championing Innovation

Showcasing a portfolio of creativity, ITT's "Engineered For Life" execution embraces products which have become ubiquitous in a broad collection of markets including: Military/Aerospace, Civil Aircraft, Industrial Instrumentation, Medical, Oil & Gas, Energy, Transportation, Telecom/Handset, Computer, Consumer, and Automotive.

ITT's rich interconnect history embraces contributions to both technological breakthroughs and social movements. With one of the industry's broadest product offerings, ITT's interconnect products have supported:

- Every Free World space mission, bringing the universe to our doorstep.
- Motion picture, radio, and television equipment, serving laughter and entertainment to millions.
- Commercial and military communications systems, linking the voices of the world.
- Computerized tools, reshaping the information highway.
- Aircraft, rapid transit, and automobiles, mobilizing our expanding society.
- Oil and natural gas production, powering the world's economies.
- Agricultural equipment, attacking the roots of world hunger.



## ITT Cannon

ITT Cannon is a brand of the multi-national ITT Corporation. Our connector portfolio remains the most extensive in the industry offering the most reliable and cost effective range of interconnect solutions. These innovations have enabled ITT to provide products and technologies to such markets as:

- Automotive
- Computer/Consumer
- Industrial/Instrumentation
- Military/Aerospace
- Oil Fields
- Telecom/Handset
- Transportation

When you specify a Cannon, VEAM or BIW connector, you can rely on a product designed, developed, and manufactured to the highest quality and reliability standards. This tradition of excellence is based on ITT's corporate culture of operating its businesses under the principles of Six Sigma. At ITT, Six Sigma is not just a quality philosophy but a complete corporate culture that drives the entire business. Our Value Based Management and Value Based Product Development systems are two cornerstones that allow for the development of both leadership and product engineering principles, ensuring the correct industry leading products are developed to the accepted market driven lead times. These principles have allowed ITT to become the market leader in all of our business portfolios.

### Six Sigma Manufacturing

ITT operates manufacturing facilities in the United States, Germany, Italy, Mexico, China, Japan and the UK, all of which have particular product area strengths allowing ITT to offer a truly global footprint to our customers. Our facilities are world class and accommodate full vertical integration utilizing the latest manufacturing technologies including: automated and robotic machining centers, Super Market manufacturing cells, Kanban pull systems, and automated electrical, mechanical, and optical test and inspection equipment. The combination of our manufacturing strength and our advanced manufacturing facilities allows ITT to offer products at market driven prices. Our capabilities, especially in

robotics, computerized precision tooling, Kaizen Project Management, Six Sigma tools, and testing, give ITT the most optimized global manufacturing footprint in the interconnect industry.

### The Custom Difference

As the industry leader in harsh environment interconnect applications, ITT's world class engineering teams will work directly with our customers to design and develop cost effective solutions for their applications. In many cases we may modify one of our standard designs to ensure a highly reliable solution where timing is critical. Yet, in those cases where a complete custom interconnect solution is required, ITT will work with our customer's Engineers to design an interconnect solution which will be cost effective yet highly reliable. As professional consultants, our Engineering teams will provide a thorough systems and mechanical analysis of any proposed solution. These analyses provide our customers with sophisticated electrical signal and mechanical characterizations to determine the best solution for their application.

### RoHS Compliance Information

ITT has implemented a strict parts control plan for all ITT electronics plants worldwide that allows the Cannon, VEAM, and BIW connector product portfolios to meet the requirements of European Union Directive 2002/95/EC better known as the Reduction of Hazardous Substances initiative. As appropriate, specific Cannon, VEAM, and BIW products may be ordered with an R prefix number which insures our customers will receive RoHS compliant parts for their commercial electronics applications and equipment. Since most RoHS hazardous substances center around specific metal plating and lead solder coatings, ITT's products for RoHS compliance are available in the following plating finishes: black zinc electroless nickel, stainless steel, Anodize over aluminum and Gold plating. It should be noted that gold plating would be recommended as the replacement for tin-lead solder when ordering board mount connectors.



## DL



- Plastic Body
- 60, 96, 156, or 260 Contact Cavities
- Single Hand Actuation
- Crimp or Square Post Contacts

Introduction . . . . .	10
Product Specifications. . . . .	11
How to Order . . . . .	12

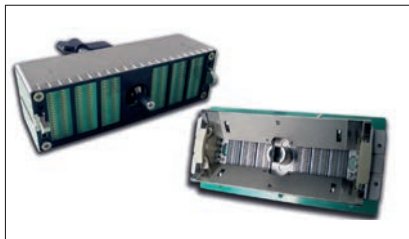
## DLM



- Metal Body
- EMI/RFI Shielding
- 60, 96, 156, 260 or 360 Contact Cavities
- Single Hand Actuation
- Crimp, Square Post or PC/RC Contacts

Introduction . . . . .	17
Product Specifications. . . . .	18
How to Order . . . . .	19
Layout Information . . . . .	20-24

## DLP



- Metal Body
- EMI/RFI Shielding
- Modular Landed Contact System  
(DLP-272- 34 Contacts/Module  
DLP-408 - 68 Contacts/Module)
- Single Hand Actuation

Introduction . . . . .	25
Product Specifications. . . . .	25
How to Order . . . . .	26
Layout Information . . . . .	27-28

## QLC



- Metal Body
- EMI / RFI Shielding
- 260 Contacts
- Small form factor.  
For portable equipment

Introduction . . . . . 29

Product Specifications. . . . . 29

Layout Information . . . . . 30

## Accessories



- Cannon offers a large selection of accessories to meet a variety of application requirements
- Allows customization using standard components

Introduction . . . . . 31

Selection Guide. . . . . 31

Junction Shells, Plastic. . . . . 32

Backshells, Metal. . . . . 34

Actuating Handles. . . . . 35

Protective Covering . . . . . 36

Polarizing Posts. . . . . 37

Shells (EMI/RFI) . . . . . 38

## Contacts



- Crimp and Buss contacts are available loose or reeled
- Accommodates wire sizes #42-#18AWG
- Customer installed. Field installable/removable

Introduction . . . . . 39

Buss Contacts . . . . . 40

Crimp Contacts-Loose / Reeled . . . . 41

## Tools and Assembly



- Cannon offers hand crimp tooling for low volume applications
- Contact extraction tools
- Automatic tooling can be leased for large volume applications

Introduction . . . . . 42

Hand Crimp Tools . . . . . 42

Extraction Tools. . . . . 43

Assembly Instructions . . . . . 44-46

Lease Automatic Tooling. . . . . 47-48

PCB Hole Pattern and Pad Layout . . . . . 49-56

Panel Cutouts . . . . . 57-59

Contact Cavity Arrangements . . . . . 60

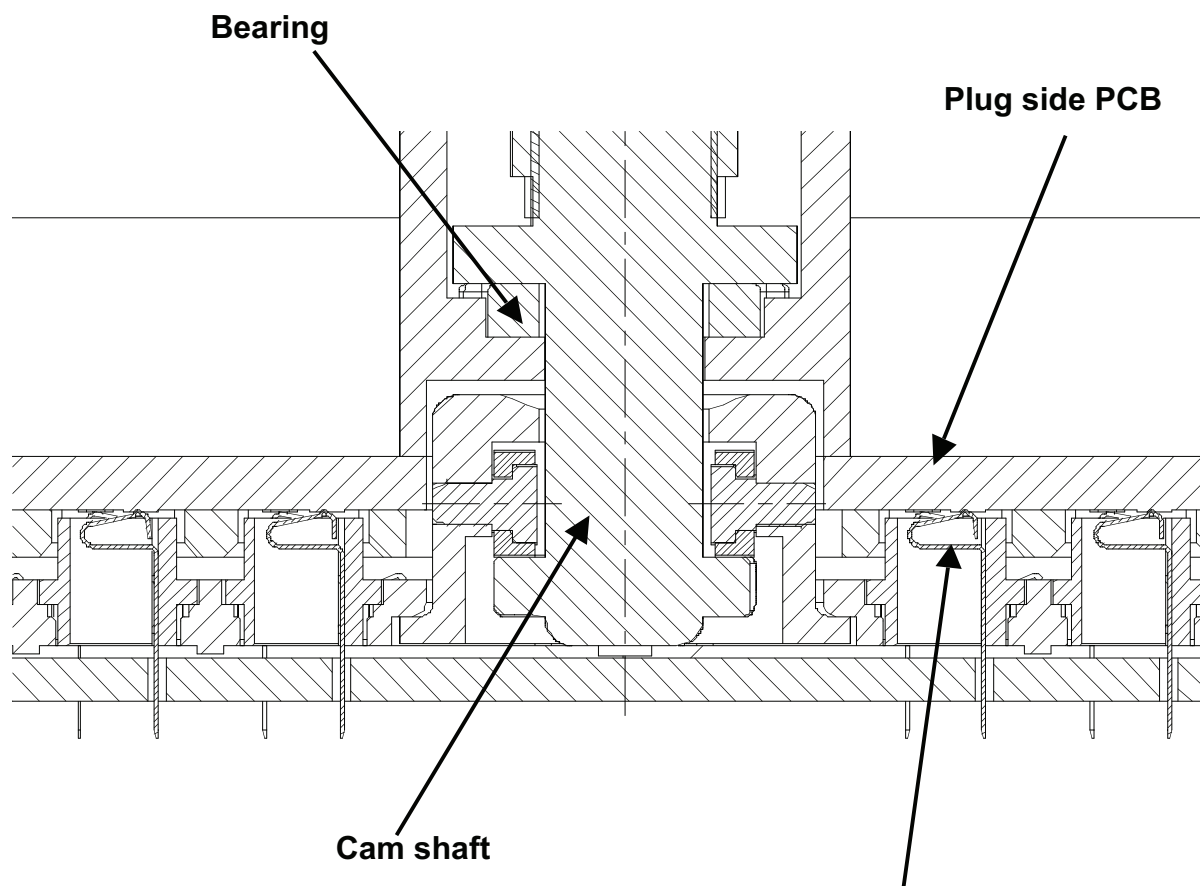
	DL	DLM	DLP 136 - 272	DLP 408	QLC
					
<b>Type</b>	Plug & Receptacle	Plug & Receptacle	Plug & Receptacle	Plug & Receptacle	Plug & Receptacle
<b>Body</b>	Plastic	Metal	Metal	Metal	Metal
<b>Body Material</b>	Thermoplastic	Aluminum	Aluminum	Zinc Alloy	Zinc
<b>Available Layouts</b>	60; 96; 156; and 260 signal	60; 96; 156 260 and 360 signal	136, 204 and 272 signal	408 signal	260 signal
<b>Crimp Contacts</b>	yes	yes	-	-	-
<b>Square Post Contacts</b>	yes	yes	-	-	-
<b>PC/RC Contacts</b>	-	yes	-	-	-
<b>Pressfit Contacts</b>	yes (1)	yes (2)	no	yes	no
<b>Current Rating</b>	5 A max. (3)	5 A max. (3) / 4 A max. (4)	0,5 A max.	0,3 A max	0,5A max
<b>Contact Resistance</b>	15 milliohms max.	15 milliohms max.	30 milliohms max. (Initial)	30 milliohms max. (Initial)	100 milliohms max (includes bulk resistance)
	20 milliohms max. (5)	20 milliohms max. (5)			
		30 milliohms max. (4)			
<b>Contact Material</b>	20 or 50 $\mu$ inches gold plated copper alloy	20 or 50 $\mu$ inches gold plated copper alloy	Gold plated copper Alloy	Gold plated copper Alloy	40 $\mu$ inch gold plated copper alloy
<b>Operating temperature</b>	-55°C to 105°C	-55°C to 105°C	-55°C to 85°C	-55°C to 85°C	-55°C to 85°C
<b>RoHS compliant</b>	yes	yes	yes	yes	yes
<b>Factory terminated</b>	Solder to PCB through hole	Solder to PCB through hole	Solder to PCB through hole	Press-fit	Solder to PCB through hole
<b>Mating cycles</b>	10.000 min.	10.000 min.	10,000 max	10,000 max	20,000 max
<b>EMI/RFI shielding</b>	-	yes	yes	yes	yes
<b>Accessories See Pages 31-38</b>					
<b>Actuating handles</b>	yes	yes	yes	yes	yes
<b>Protective Cover (Rubber) (6)</b>	yes	yes	-	-	-
<b>Protective Cover (Plastic) (7)</b>	yes	yes	yes	-	-
<b>Metals Shell for EMI/RFI shielding</b>	yes (5)	-	-	-	-
<b>Plastic Junction Shell</b>	yes	yes	-	-	-
<b>Cable Clamps</b>	yes	yes	-	-	-
<b>Metals Backshell</b>	yes	yes	-	-	-
<b>Polarizing Posts</b>	yes	yes	-	-	-
<b>Page number</b>	10-16	17-24	25-27	28	29-30

Notes:

- (1) DL5 only
- (2) DLM5 only
- (3) Crimp or Square Post Contacts
- (4) PC/RC contact
- (5) Specification for Crimp Contacts smaller than 28 AWG

## The mechanical function of the new DLP ZIF connector

A quarter turn of knob (shaft) mates all the contact at once by the function of cam and bearing.

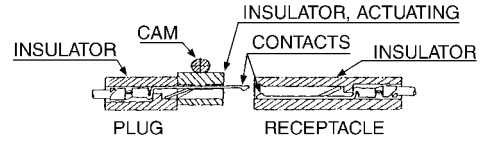
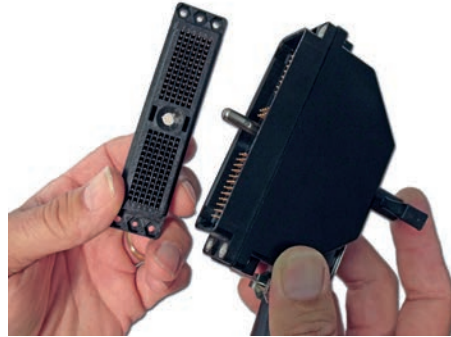


Our DLP connector uses our landed contact system. Modules of 34 or 68 contacts each are populated in to the receptacle to the customer's requirements. These contacts are positioned to land on pads that are designed into the customer supplied PCB and mounted to the plug connector housing. When mated, the contacts do not touch the pads on the plug PCB. Once the handle is rotated and locked, the shape of the receptacle contact generates a slight wipe on the plug PCB pads.

The long life and rapid mating are achieved through the use of our Zero Insertion Force design. Contact in the plug and receptacle do not touch each other while the connector halves are being engaged.

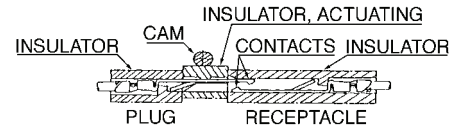
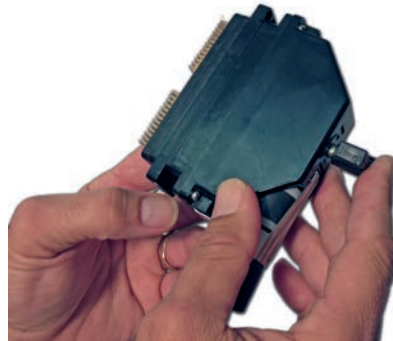
**Step 1:**

The plug is placed over the receptacle.



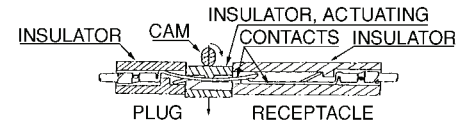
**Step 2:**

A "quarter turn" of an actuating shaft mates all contacts at once.



**Step 3:**

The same "quarter turn" also physically locks the connector halves together.



Connector engagement force is zero, and the only wear on the contacts occurs as they are pressed together and lightly wiped past each other during the camming and locking operation.



## Medical

- Ultrasound Diagnostic
- Patient Monitoring
- Hospital Equipment
- MRI (Non-Magnetic)
- Portable Equipment (Imaging)

## Commercial / Industrial Manufacturing

- Automation
- Robotics
- Electrical Controls

## Telecommunications

- Systems Interconnect
- Manufacturing Test Equipment
- Switching Systems

## Test & Instrument

- Avionics
- Automated Test Equipment
- Computer and Peripheral Equipment
- Semiconductor

## Entertainment

- Recording Studio Equipment
- Stage Lighting and Sound
- Broadcasting Equipment

## Transportation

- Locomotive Systems
- Automotive Electronics
- Aircraft Simulators

The Cannon DL Series of Zero Insertion Force (ZIF) connectors fill the need in the medical, commercial / industrial, computer, and peripheral equipment market places for low-cost, high performance, multiple-wire power and signal connectors.

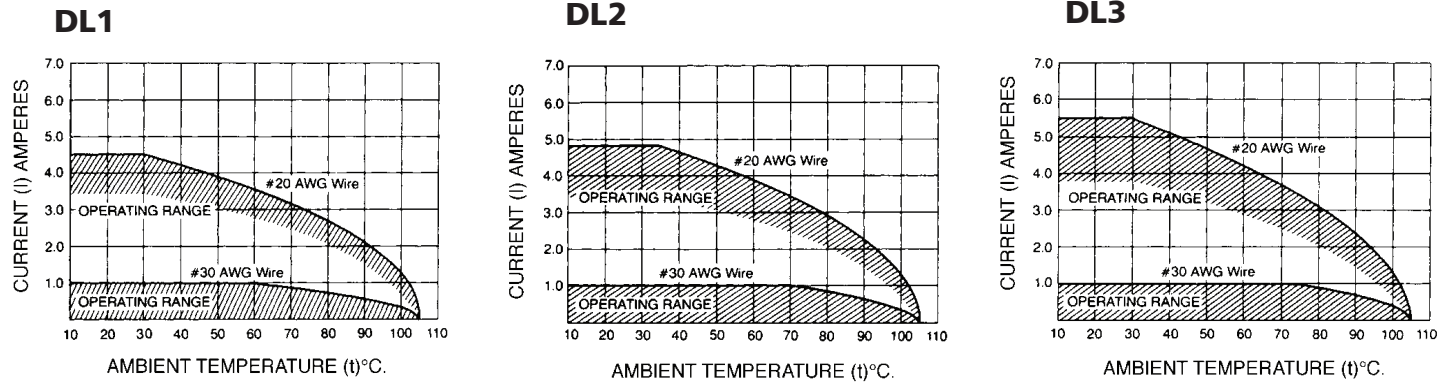
DL connectors feature: a minimum rated life of 10,000 complete mating and unmating cycles with no performance loss; can be mated and unmated in less than two seconds even with as many as 624 contacts; and they cost less (often as much as 25% less) per mated line than singular high-density rack-and-panel connectors.

**Simple. Effective. Reliable. Durable**

Combining their special design with commercial-grade materials and low cost crimp, PCB, and wrappable hermaphroditic contacts, that may be hand or machine terminated, makes the DL Series of ZIF connectors the finest low-cost-per-mated-line I/O connectors available today.



### Derating Curves



The ambient temperature curves shown represent the rated current carrying capacity of the Cannon DL1/2/3/4, electrical connectors, derated to 80% of the values recorded during the methods specified by International Electro-Technical Commission Document 48 (1975).

Current was applied to the total connector (all contacts) in one-half ampere increments and maintained at each current level until thermal stability was achieved. A thermocouple inserted into the "hottest area" of each connector then measured the connector temperature at the same time that an ambient temperature reading was taken. The difference between the two measured values is the heat rise or self-heating created solely by the current flow, and this temperature rise for the current level was deducted from the insulator material rated temperature. These values were then derated to 80% to obtain the curves shown.

## Standard Materials and Finishes

<b>DL Housing:</b>	Glass Filled Thermoplastic, UL 94V-1 rated, Color: Black
<b>Crimp Contacts and Square Post Contacts:</b>	- Copper alloy, 20 or 50 microinches gold over 50 microinches nickel in mated area, gold flash on balance
<b>Actuating Camshaft:</b>	Stainless steel, Passivated
<b>Insulator Retainer (Plug Only)</b>	Stainless steel, Passivated

## Electrical Data

<b>No. of Contacts:</b>	60, 96, 156, and 260 signal
<b>Wire Size:</b>	#18 AWG through #42 AWG
<b>Contact Termination:</b>	- Crimp - Square Post - Wrap Post - Buss - Pressfit

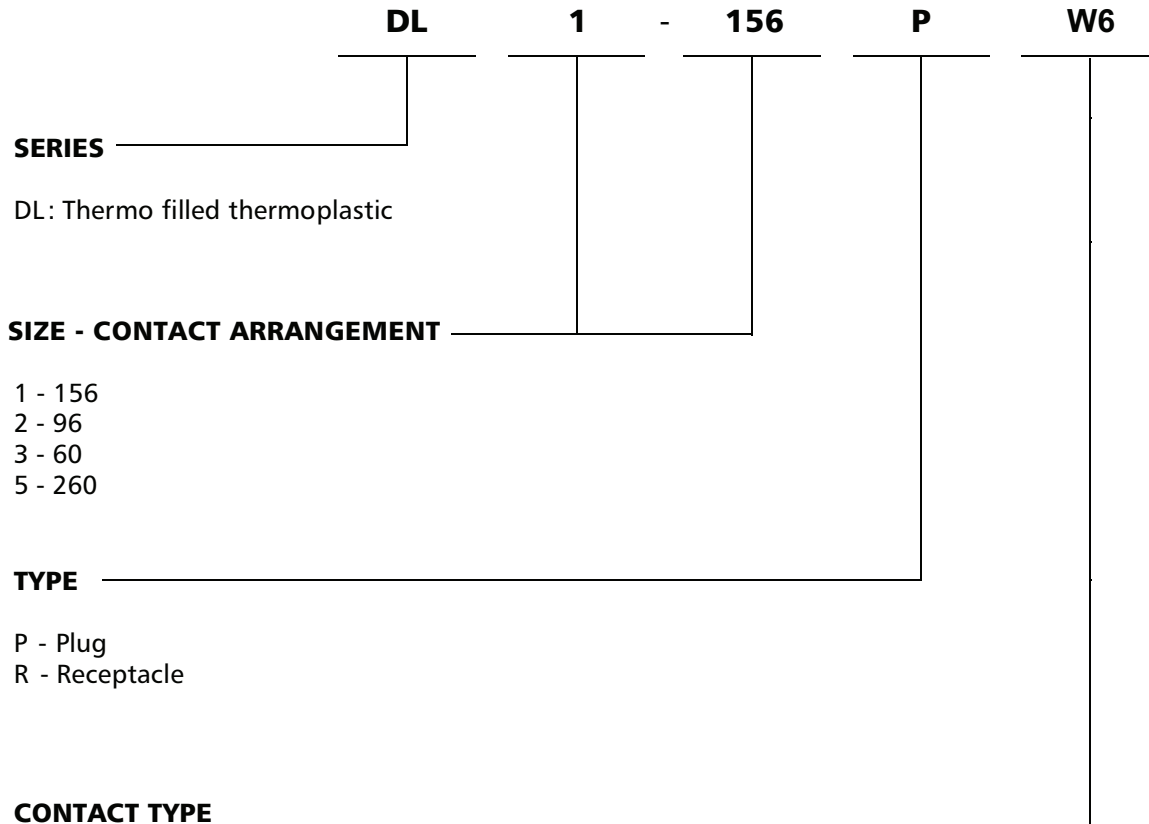
## Mechanical Data

<b>Actuation:</b>	Single Hand
<b>Coupling:</b>	Rotating latch
<b>Polarization:</b>	Polarizing Posts
<b>Contact Spacing:</b>	2,54 (0.100) Square Grid
<b>Shell Styles:</b>	Plug and Receptacle

## Performance Data

<b>Current Rating:</b>	5 A max - Crimp/Square Post/PCB contact 10 A, 20 A, 30 A, 40 A, 50 A, 60 A max - Buss contact
<b>Dielectric Withstanding Voltage:</b>	1200 VAC RMS - Crimp/Square Post Contact
<b>Operating Temperature:</b>	-55°C to 105°C (DL/DLM/DLD)
<b>Insulation Resistance:</b>	5000 Megaohms minimum
<b>Durability:</b>	10,000 Cycles minimum
<b>Contact Resistance:</b>	15 mΩ max. - Crimp/Square Post Contact 20 mΩ max. - Crimp #32 AWG - #30 AWG Contact
<b>Insulation Resistance:</b>	5000 MΩ min.
<b>Wire Accommodation:</b>	#42 AWG - #18 AWG
<b>Contact Retention:</b>	8 lb (35.585 N) minimum

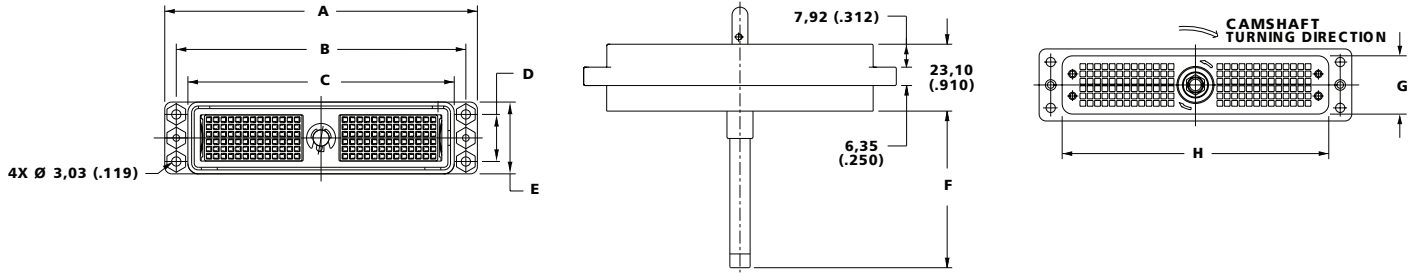
How to Order



### Plug



- Order Actuating Handle Kit sold separately, see page 35.
- Crimp Contacts are to be ordered separately and to be installed by customer, see pages 41-42.
- For contact cavity arrangements see page 60.
- For panel cutout and mounting hole pattern, see pages 57-59.
- For PC hole pattern, see pages 49-56.

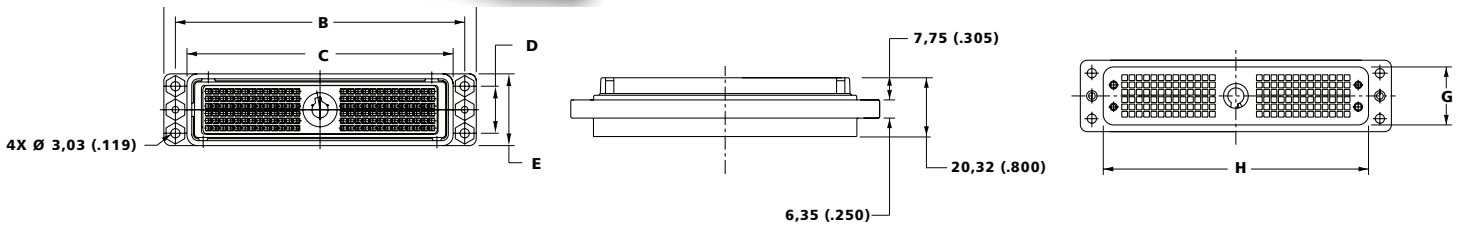


Description	A	B	C	D	E	F	G	H
<b>DL3-60P</b>	65,80 (2.592)	57,91 (2.280)	50,55 (1.992)	11,89 (0.466)	24,90 (0.981)	39,19 (1.543)	24,90 (0.981)	49,02 (1.931)
<b>DL2-96P</b>	65,80 (2.592)	57,91 (2.280)	50,60 (1.994)	19,38 (.763)	28,12 (1.108)	39,19 (1.543)	24,05 (0.947)	50,60 (1.994)
<b>DL1-156P</b>	108,00 (4.255)	100,03 (3.938)	92,26 (3.631)	16,26 (0.640)	24,90 (0.980)	54,81 (2.158)	20,10 (0.792)	92,10 (3.626)
<b>DL5-260P</b>	108,00 (4.255)	100,03 (3.938)	92,26 (3.631)	26,00 (1.024)	35,00 (1.378)	54.26 (2.136)	30,30 (1.193)	92,10 (3.626)

### Receptacle



- Crimp Contacts are to be ordered separately and to be installed by customer, see pages 41-42.
- For contact cavity arrangements see pages 60.
- For panel cutout and mounting hole pattern, see page 57-59.
- For PC hole pattern, see pages 49-56.



Description	A	B	C	D	E	G	H
<b>DL3-60R</b>	65,80 (2.592)	57,91 (2.280)	50,50 (1.988)	11,89 (0.468)	24,90 (0.981)	19,18 (0.755)	49,02 (1.931)
<b>DL2-96R</b>	65,80 (2.592)	57,91 (2.280)	50,60 (1.994)	19,38 (.763)	28,12 (1.108)	24,05 (0.947)	50,60 (1.994)
<b>DL1-156R</b>	108,00 (4.255)	100,03 (3.938)	92,10 (3.622)	16,26 (0.640)	24,90 (0.980)	20,10 (0.792)	92,10 (3.626)
<b>DL5-260R</b>	108,00 (4.255)	100,03 (3.938)	92,10 (3.622)	26,00 (1.024)	35,00 (1.378)	30,30 (1.193)	92,10 (3.626)

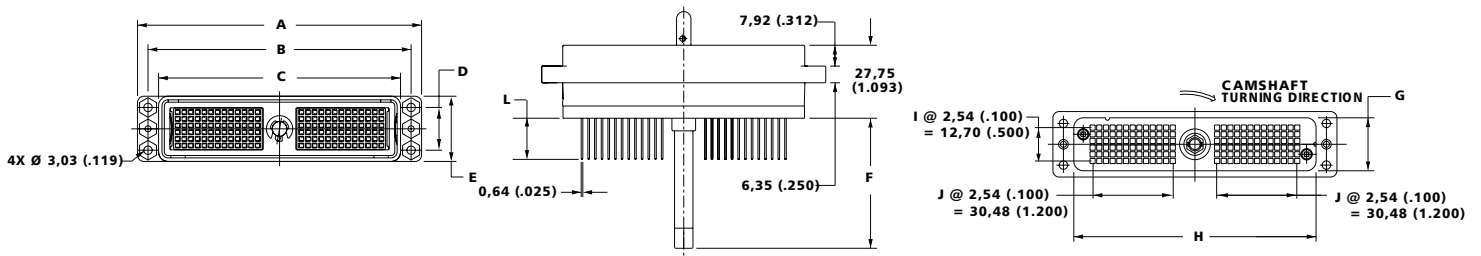
Notes:  
Crimp contacts are to be ordered separately and to be installed by customer, see pages 41-42

# Cannon ZIF Connectors DL - Plastic Body - Square / Wrap Post Contacts

## Plug



- Order Actuating Handle Kit sold separately, see page 35.
- For contact cavity arrangements see page 60.
- For panel cutout and mounting hole pattern, see pages 57-59.
- For PC hole pattern, see pages 49-56.



Description	A	B	C	D	E	F	G	H	I	J	L
<b>DL3-60PW4</b> <b>DL3-60PW4A</b>	65,80 (2.592)	57,91 (2.280)	50,55 (1.992)	11,89 (.468)	24,90 (.981)	34,54 (1.360)	19,94 (.785)	49,02 (1.931)	5 spaces	4 spaces	15,37 (.605)
<b>DL3-60PW6</b> <b>DL3-60PW6A</b>	65,80 (2.592)	57,91 (2.280)	50,55 (1.992)	11,89 (.468)	24,90 (.981)	34,54 (1.360)	19,94 (.785)	49,02 (1.931)	5 spaces	4 spaces	7,11 (.280)
<b>DL3-60PW9A</b>	65,80 (2.592)	57,91 (2.280)	50,55 (1.992)	11,89 (.468)	24,90 (.981)	34,54 (1.360)	19,94 (.785)	49,02 (1.931)	5 spaces	4 spaces	3,18 (.125)
<b>DL2-96PW4</b> <b>DL2-96PW4A</b>	65,80 (2.592)	57,91 (2.280)	50,60 (1.994)	19,38 (.763)	28,12 (1.108)	34,54 (1.360)	24,05 (.947)	50,60 (1.994)	7 spaces	6 spaces	15,37 (.605)
<b>DL2-96PW6</b> <b>DL2-96PW6A</b>	65,80 (2.592)	57,91 (2.280)	50,60 (1.994)	19,38 (.763)	28,12 (1.108)	34,54 (1.360)	24,05 (.947)	50,60 (1.994)	7 spaces	6 spaces	7,11 (.280)
<b>DL2-96PW9A</b>	65,80 (2.592)	57,91 (2.280)	50,60 (1.994)	19,38 (.763)	28,12 (1.108)	34,54 (1.360)	24,05 (.947)	50,60 (1.994)	7 spaces	6 spaces	3,18 (.125)
<b>DL1-156PW4</b> <b>DL1-156PW4A</b>	108,00 (4.255)	100,03 (3.983)	92,26 (3.631)	16,26 (.640)	24,90 (.981)	50,16 (1.975)	20,10 (0.792)	92,10 (3.626)	5 spaces	12 spaces	15,37 (.605)
<b>DL1-156PW6</b> <b>DL1-156PW6A</b>	108,00 (4.255)	100,03 (3.983)	92,26 (3.631)	16,26 (.640)	24,90 (.981)	50,16 (1.975)	20,10 (.792)	92,10 (3.626)	5 spaces	12 spaces	7,11 (.380)
<b>DL1-156PW9A</b>	108,00 (4.255)	100,03 (3.983)	92,26 (3.631)	16,26 (.640)	24,90 (.981)	50,16 (1.975)	20,10 (.792)	92,10 (3.626)	5 spaces	12 spaces	3,18 (.125)
<b>DL5-260PW4</b> <b>DL5-260PW4A</b>	108,00 (4.255)	100,03 (3.983)	92,26 (3.631)	26,00 (1.024)	35,00 (1.378)	49,61 (1.953)	30,30 (1.193)	92,10 (3.626)	9 spaces	12 spaces	15,37 (.604)
<b>DL5-260PW6</b> <b>DL5-260PW6A</b>	108,00 (4.255)	100,03 (3.983)	92,26 (3.631)	26,00 (1.024)	35,00 (1.378)	49,61 (1.953)	30,30 (1.193)	92,10 (3.626)	9 spaces	12 spaces	7,11 (.280)
<b>DL5-260PW9A</b>	108,00 (4.255)	100,03 (3.983)	92,26 (3.631)	26,00 (1.024)	35,00 (1.378)	49,61 (1.953)	30,30 (1.193)	92,10 (3.626)	9 spaces	12 spaces	3,18 (.125)

Notes:  
Front removable 0,64 (0.025) square posts 2,54 (0.100) Centers.  
1 space at 2,54 (0.100)



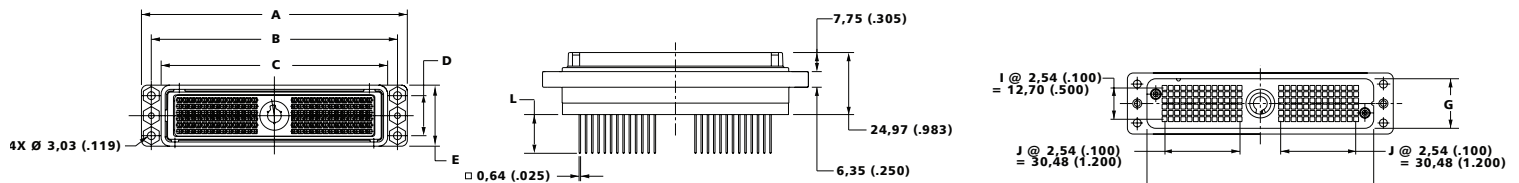
Dimensions shown in mm (inch)  
Specifications and dimensions subject to change

www.ittcannon.com

### Receptacle



- For contact cavity arrangements see page 60.
- For panel cutout and mounting hole pattern, see pages 57-59.
- For PC hole pattern, see pages 49-56.



Description	A	B	C	D	E	G	H	I	J	L
<b>DL3-60RW4</b> <b>DL3-60RW4B</b>	65,80 (2.592)	57,91 (2.280)	50,50 (1.988)	11,89 (.466)	24,90 (.980)	19,94 (0.785)	49,02 (1.931)	5 spaces	4 spaces	15,37 (.605)
<b>DL3-60RW6</b> <b>DL3-60RW6B</b>	65,80 (2.592)	57,91 (2.280)	50,50 (1.988)	11,89 (.466)	24,90 (1.360)	19,94 (.785)	49,02 (1.931)	5 spaces	4 spaces	7,11 (.280)
<b>DL3-60RW9B</b>	65,80 (2.592)	57,91 (2.280)	50,50 (1.988)	11,89 (0.466)	24,90 (1.360)	19,94 (.785)	49,02 (1.931)	5 spaces	4 spaces	3,18 (.125)
<b>DL2-96TW4</b> <b>DL2-96RW4B</b>	65,80 (2.592)	57,91 (2.280)	50,60 (1.994)	19,38 (.763)	28,12 (1.108)	24,05 (.947)	50,60 (1.994)	7 spaces	6 spaces	15,37 (.605)
<b>DL2-96RW6</b> <b>DL2-96RW6B</b>	65,80 (2.592)	57,91 (2.280)	50,60 (1.994)	19,38 (.763)	28,12 (1.108)	24,05 (.947)	50,60 (1.994)	7 spaces	6 spaces	7,11 (.280)
<b>DL2-96RW9B</b>	65,80 (2.592)	57,91 (2.280)	50,60 (1.994)	19,38 (.763)	28,12 (1.108)	24,05 (.947)	50,60 (1.994)	7 spaces	6 spaces	3,18 (.125)
<b>DL1-156RW4</b> <b>DL1-156RW4B</b>	108,00 (4.255)	100,03 (3.983)	92,00 (3.622)	16,26 (.640)	24,90 (.980)	20,10 (.792)	92,10 (3.626)	5 spaces	12 spaces	15,37 (.605)
<b>DL1-156RW6</b> <b>DL1-156RW6B</b>	108,00 (4.255)	100,03 (3.983)	92,00 (3.622)	16,26 (.640)	24,90 (.980)	20,10 (.792)	92,10 (3.626)	5 spaces	12 spaces	7,11 (.380)
<b>DL1-156RW9B</b>	108,00 (4.255)	100,03 (3.983)	92,00 (3.622)	16,26 (.640)	24,90 (.980)	20,10 (.792)	92,10 (3.626)	5 spaces	12 spaces	3,18 (.125)
<b>DL5-260RW4</b> <b>DL5-260RW4B</b>	108,00 (4.255)	100,03 (3.983)	92,00 (3.622)	26,00 (1.024)	35,00 (1.378)	30,30 (1.193)	92,10 (3.626)	9 spaces	12 spaces	15,37 (.604)
<b>DL5-260RW6</b> <b>DL5-260RW6B</b>	108,00 (4.255)	100,03 (3.983)	92,00 (3.622)	26,00 (1.024)	35,00 (1.378)	30,30 (1.193)	92,10 (3.626)	9 spaces	12 spaces	7,11 (.280)
<b>DL5-260RW9B</b>	108,00 (4.255)	100,03 (3.983)	92,00 (3.622)	26,00 (1.024)	35,00 (1.378)	30,30 (1.193)	92,10 (3.626)	9 spaces	12 spaces	3,18 (.125)

Notes:

Front removable 0,64 (0.025) square posts 2,54 (0.100) Centers.

1 space at 2,54 (0.100)

Dimensions shown in mm (inch)

Specifications and dimensions subject to change

www.ittcannon.com

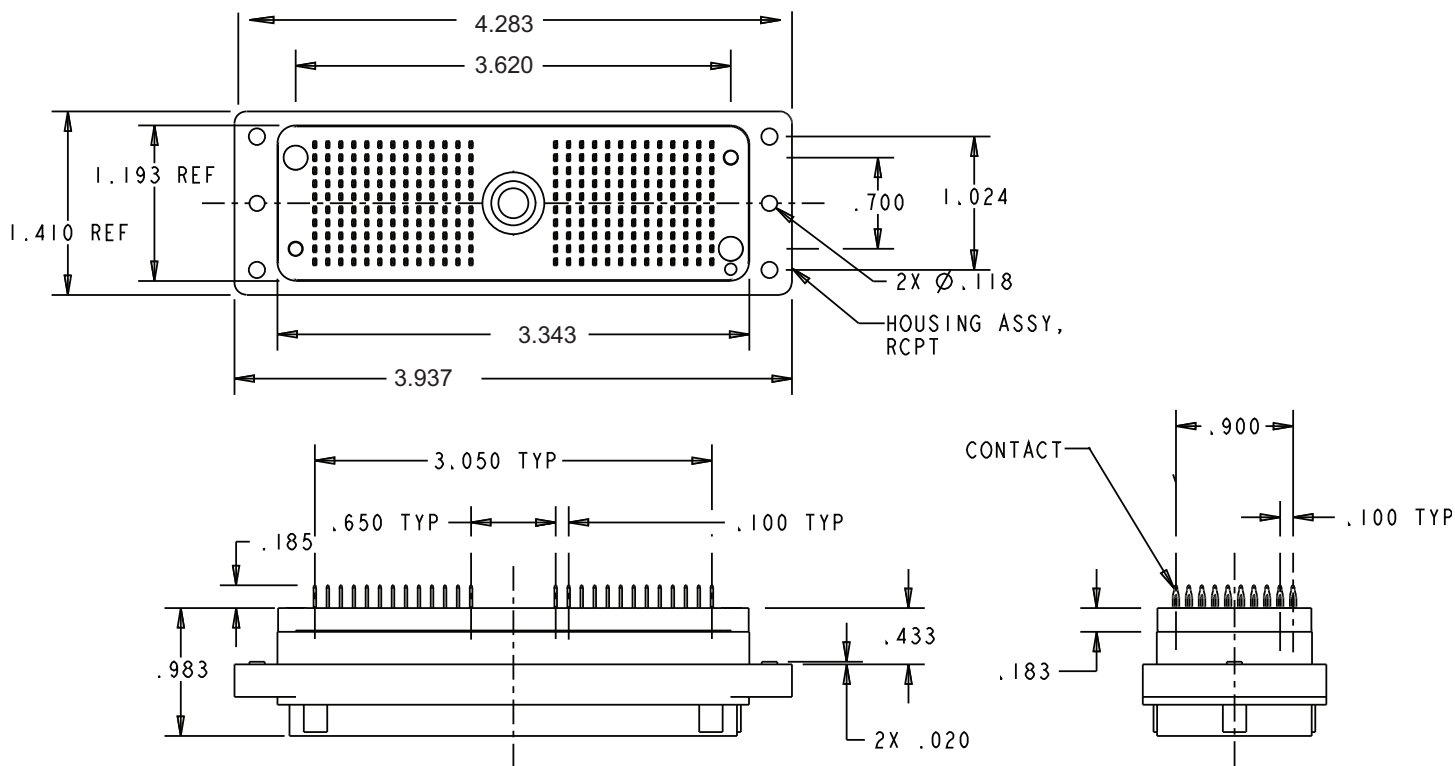


## Receptacle only



- For contact cavity arrangements see page 60.
- For panel cutout and mounting hole pattern, see pages 57-59.
- For PC hole pattern, see pages 49-56.

Part Number	Nomenclature
11987-0008	DL5-260R-F

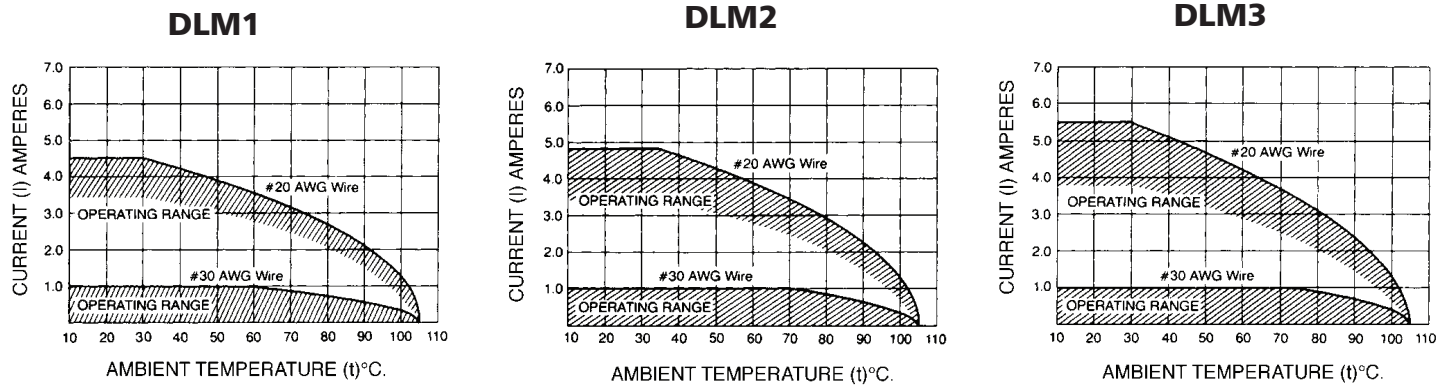


Cannon has expanded the DL-ZIF series offering with the addition of the DLM (Metal Shell) versions. The DLM uses a rugged nickel plated aluminum housing. The Shield-Locking Mechanism feature (see illustration below) ensures uniform mating pressure around the perimeter of the mated connector to create an EMI/RFI shield which facilitates compliance of equipment to CE EMC directives.



The DLM Series connectors are intermateable to the DL (Plastic) versions for backwards/forwards compatibility. The DLM Series are offered with all of the DL plastic contacts from crimp, square post, and round PL/RC tail contacts.

### Derating Curves



The ambient temperature curves shown represent the rated current carrying capacity of the Cannon DL1/2/3/4, DLM1/2/3 and DLD1/2 electrical connectors, derated to 80% of the values recorded during the methods specified by International Electro-Technical Commission Document 48 (1975).

Current was applied to the total connector (all contacts) in one-half ampere increments and maintained at each current level until thermal stability was achieved. A thermocouple inserted into the "hottest area" of each connector then measured the connector temperature at the same time that an ambient temperature reading was taken. The difference between the two measured values is the heat rise or self-heating created solely by the current flow, and this temperature rise for the current level was deducted from the insulator material rated temperature. These values were then derated to 80% to obtain the curves shown.

## Standard Materials and Finishes

<b>DLM Housing:</b>	Aluminum alloy, nickel plated
<b>DLM Insulator Crimp Contacts and Square Post Contacts:</b>	Copper alloy, 20 or 50 microinches gold over 50 microinches nickel in mated area, gold flash on balance
<b>PC/RC Contacts:</b>	Copper alloy, 20 microinches gold over nickel in mated area, Sn over Nickel in tail area
<b>Actuating Camshaft:</b>	Stainless steel, Passivated
<b>Insulator Retainer (Plug only):</b>	Stainless steel, Passivated

## Electrical Data

<b>No. of Contacts:</b>	60, 96, 156, 260 and 360 signal
<b>Wire Size:</b>	#18 AWG through #42 AWG
<b>Contact Termination:</b>	<ul style="list-style-type: none"> <li>- PC/RC</li> <li>- Crimp</li> <li>- Square Post</li> <li>- Wrap Post</li> <li>- Buss</li> <li>- Pressfit</li> </ul>

## Mechanical Data

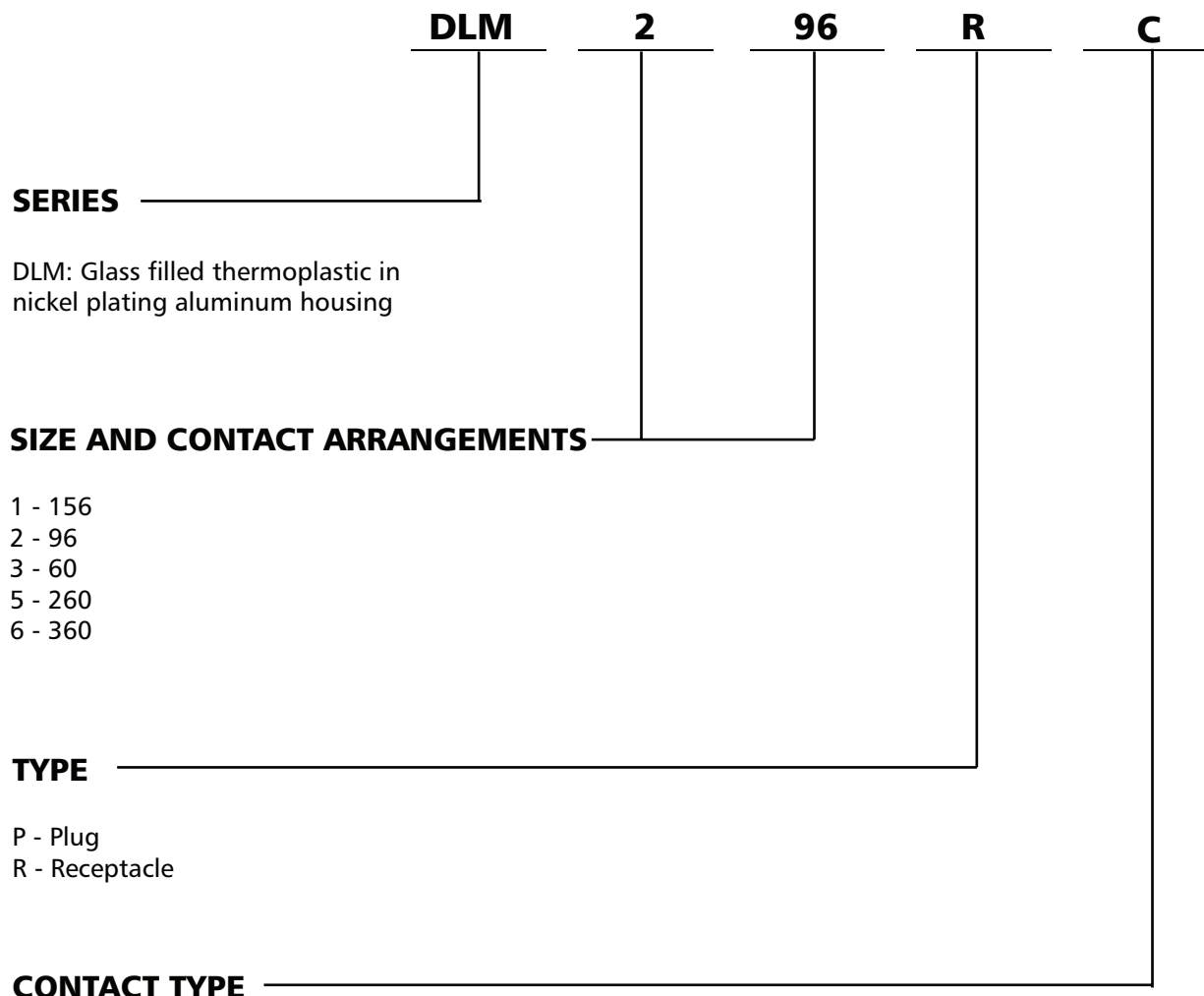
<b>Actuation:</b>	Single Hand
<b>Coupling:</b>	Rotating Latch
<b>Polarization:</b>	Polarizing Posts
<b>Contact Spacing:</b>	2,54 (.100) Square Grid
<b>Shell Styles:</b>	Plug and Receptacle
<b>Actuation:</b>	Single Hand

## Performance Data

<b>Dielectric Withstanding Voltage:</b>	1200 VAC RMS - Crimp/Square Post Contact 1000 VAC RMS - PC/RC Contacts
<b>Insulation Resistance</b>	5000 Megaohms minimum
<b>Durability:</b>	10,000 Cycles minimum
<b>Contact Resistance:</b>	<ul style="list-style-type: none"> <li>- 15 milliohms maximum - Crimp/Square Post Contact</li> <li>- 20 milliohms maximum - Crimp #30- #32 AWG contact</li> <li>- 30 milliohms maximum - PC/RC Contact</li> </ul>
<b>Contact Retention:</b>	8 lb (35,585 N) minimum



## How to Order



DLM: Glass filled thermoplastic in nickel plating aluminum housing

- 1 - 156
- 2 - 96
- 3 - 60
- 5 - 260
- 6 - 360

- P - Plug
- R - Receptacle

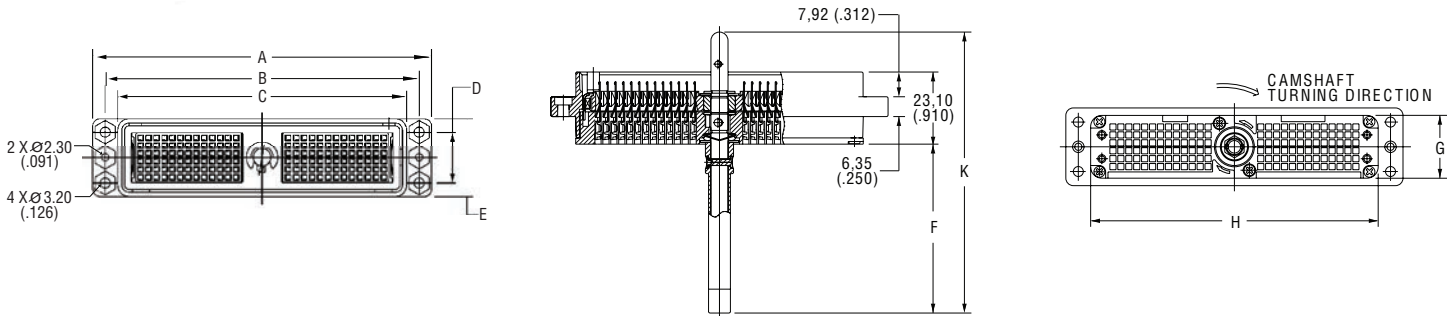
No letter - Crimp #18 thru #42 AWG.  
 TO BE ORDERED SEPARATELY AND INSTALLED BY CUSTOMER

- W4 - Wrap Post 15,37 (0.605) 20  $\mu$ inches Gold
- W4A - Wrap Post 15,37 (0.605) 50  $\mu$ inches Gold, Plug only
- W4B - Wrap Post 15,37 (0.605) 50  $\mu$ inches Gold, Receptacle only
- W6 - Square Post 7,11 (0.260) 20  $\mu$ inches Gold
- W6A - Square Post 7,11 (0.260) 50  $\mu$ inches Gold, Plug only
- W6B - Square Post 7,11 (0.260) 50  $\mu$ inches Gold, Receptacle only
- W9A - Square Post 3,18 (0.125), 50  $\mu$ iinches Gold, Plug only
- W9B - Square Post 3,18 (0.125), 50  $\mu$ inches Gold, Receptacle only
- C - F - PC / RC 4,50 (0.177), 20  $\mu$ inches Gold
- PF - Pressfit - DLM5 Plug and Receptacle only

### Plug



- Order Actuating Handle Kit sold separately, see page 35.
- Crimp contacts are to be ordered separately and to be installed by customer, see pages 41-42.
- For contact cavity arrangements see page 60.
- For panel cutout and mounting hole pattern, see pages 57-59.

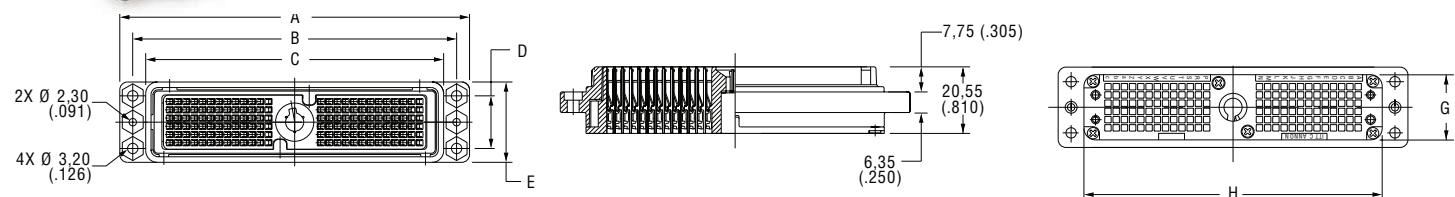


Description	A	B	C	D	E	F	G	H	K
<b>DLM3-60P</b>	65,80 (2.592)	57,91 (2.280)	50,55 (1.992)	11,89 (.468)	24,90 (.981)	38,85 (1.530)	24,90 (.981)	49,02 (1.931)	74,75 (2.945)
<b>DLM2-96P</b>	65,80 (2.592)	57,91 (2.280)	50,60 (1.994)	19,38 (.763)	28,12 (1.108)	38,85 (1.530)	24,05 (.947)	50,60 (1.994)	74,75 (2.945)
<b>DLM1-156P</b>	108,00 (4.255)	100,03 (3.983)	92,00 (3.622)	16,26 (.640)	24,80 (.977)	54,10 (2.132)	20,10 (0.792)	92,10 (3.626)	90,00 (3.546)
<b>DLM5-260P</b>	108,00 (4.255)	100,03 (3.983)	92,00 (3.622)	26,00 (1.024)	35,00 (1.378)	54,81 (2.158)	26,00 (1.024)	92,00 (3.626)	90,00 (3.546)
<b>DLM6-360P</b>	125,00 (4.921)	115,00 (4.528)	104,30 (4.106)	29,00 (1.142)	42,60 (1.677)	69,00 (2.717)	37,80 (1.488)	107,30 (4.224)	104,70 (4.122)

### Receptacle



- Crimp contacts are to be ordered separately and to be installed by customer, see pages 41-42.
- For contact cavity arrangement see page 60.
- For panel cutout and mounting hole pattern, see pages 57-59.



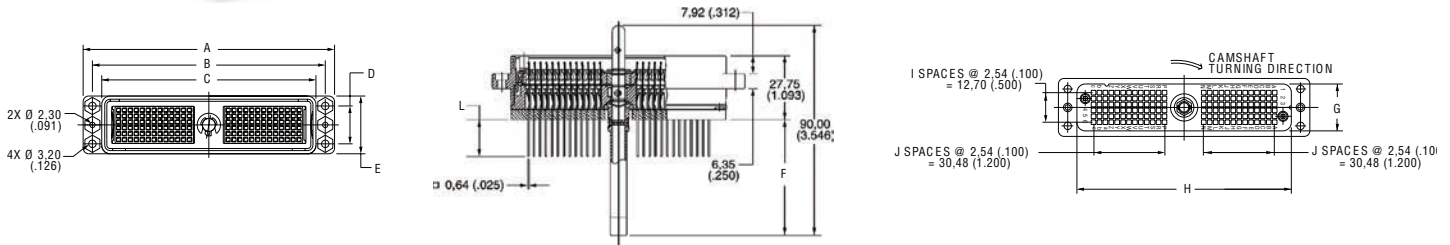
Description	A	B	C	D	E	G	H
<b>DLM3-60R</b>	65,80 (2.592)	57,91 (2.280)	50,55 (1.992)	11,89 (.468)	24,90 (.981)	19,94 (.785)	49,02 (1.931)
<b>DLM2-96R</b>	65,80 (2.592)	57,91 (2.280)	50,60 (1.994)	19,38 (.763)	28,12 (1.108)	24,05 (.947)	50,60 (1.994)
<b>DLM1-156R</b>	108,00 (4.255)	100,03 (3.983)	92,00 (3.622)	16,26 (.640)	24,80 (.977)	20,10 (.792)	92,10 (3.629)
<b>DLM5-260R</b>	108,00 (4.255)	100,03 (3.983)	92,00 (3.626)	26,00 (1.024)	35,00 (1.378)	30,30 (1.193)	92,10 (3.629)
<b>DLM6-360R</b>	125,00 (4.921)	115,00 (4.528)	104,30 (4.106)	29,00 (1.142)	42,60 (1.677)	37,80 (1.488)	107,30 (4.224)

# Cannon ZIF Connectors *DLM - Metal Body - Square / Wrap Post Contacts*

## Plug



- Order Actuating Handle Kit sold separately, see page 35.
- For contact cavity arrangements see page 60.
- For panel cutout and mounting hole pattern, see pages 57-59.
- For PC hole pattern, see pages 49-56.



Description	A	B	C	D	E	F	G	H	I	J	L
<b>DLM3-60PW4</b>	65,80	57,91	50,55	11,89	24,90	34,20	19,94	49,02	5	4	15,37
<b>DLM3-60PW4A</b>	(2.592)	(2.280)	(1.992)	(.468)	(.981)	(1.347)	(.785)	(1.931)	spaces	spaces	(.605)
<b>DLM3-60PW6</b>	65,80	57,91	50,55	11,89	24,90	34,20	19,94	49,02	5	4	15,37
<b>DLM3-60PW6A</b>	(2.592)	(2.280)	(1.992)	(.468)	(.981)	(1.347)	(.785)	(1.931)	spaces	spaces	(.605)
<b>DLM3-60PW9A</b>	65,80	57,91	50,55	11,89	24,90	34,20	19,94	49,02	5	4	7,11
	(2.592)	(2.280)	(1.992)	(.468)	(.981)	(1.347)	(.785)	(1.931)	spaces	spaces	(.280)
<b>DLM2-96PW4</b>	65,80	57,91	50,60	19,38	26,12	34,20	24,05	50,60	7	6	15,37
<b>DLM2-96PW4A</b>	(2.592)	(2.280)	(1.994)	(.763)	(1.108)	(1.347)	(.947)	(1.994)	spaces	spaces	(.605)
<b>DLM2-96PW6</b>	65,80	57,91	50,60	19,38	26,12	34,20	24,05	50,60	7	6	7,11
<b>DLM2-96PW6A</b>	(2.592)	(2.280)	(1.994)	(.763)	(1.108)	(1.347)	(.947)	(1.994)	spaces	spaces	(.280)
<b>DLM2-96PW9A</b>	65,80	57,91	50,60	19,38	26,12	34,20	24,05	50,60	7	6	3,18
	(2.592)	(2.280)	(1.994)	(.763)	(1.108)	(1.347)	(.947)	(1.994)	spaces	spaces	(.125)
<b>DLM1-156PW4</b>	108,00	100,03	92,00	16,26	24,90	49,45	20,10	92,10	5	12	15,37
<b>DLM1-156PW4A</b>	(4.255)	(3.983)	(3.622)	(.640)	(.981)	(1.948)	(.792)	(3.626)	spaces	spaces	(.605)
<b>DLM1-156PW6</b>	108,00	100,03	92,00	16,26	24,90	49,45	20,10	92,10	5	12	7,11
<b>DLM1-156PW6A</b>	(4.255)	(3.983)	(3.622)	(.640)	(.981)	(1.948)	(.792)	(3.626)	spaces	spaces	(.280)
<b>DLM1-156PW9A</b>	108,00	100,03	92,00	16,26	24,90	49,45	20,10	92,10	5	12	3,18
	(4.255)	(3.983)	(3.622)	(.640)	(.981)	(1.948)	(.792)	(3.626)	spaces	spaces	(.125)
<b>DLM5-260PW4</b>	108,00	100,03	92,00	26,00	35,00	49,90	30,30	92,10	9	12	15,37
<b>DLM5-260PW4A</b>	(4.255)	(3.983)	(3.622)	(1.024)	(1.378)	(1.965)	(1.193)	(3.626)	spaces	spaces	(.604)
<b>DLM5-260PW6</b>	108,00	100,03	92,00	26,00	35,00	49,90	30,30	92,10	9	12	7,11
<b>DLM5-260PW6A</b>	(4.255)	(3.983)	(3.622)	(1.024)	(1.378)	(1.965)	(1.193)	(3.626)	spaces	spaces	(.280)
<b>DLM5-260PW9A</b>	108,00	100,03	92,00	26,00	35,00	49,90	30,30	92,10	9	12	3,18
	(4.255)	(3.983)	(3.622)	(1.024)	(1.378)	(1.965)	(1.193)	(3.626)	spaces	spaces	(.125)
<b>DLM6-260PW4</b>	125,00	115,00	104,30	29,00	42,60	64,30	37,80	107,30	9	14	15,37
<b>DLM6-360PW4A</b>	(4.291)	(4.528)	(4.106)	(1.142)	(1.677)	(2.531)	(1.488)	(4.224)	spaces	spaces	(.604)
<b>DLM6-360PW6</b>	125,00	115,00	104,30	29,00	42,60	64,30	37,80	107,30	9	14	7,11
<b>DLM6-360PW6A</b>	(4.291)	(4.528)	(4.106)	(1.142)	(1.677)	(2.531)	(1.488)	(4.224)	spaces	spaces	(.280)
<b>DLM6-360PW9A</b>	125,00	115,00	104,30	29,00	42,60	64,30	37,80	107,30	9	14	3,18
	(4.291)	(4.528)	(4.106)	(1.142)	(1.677)	(2.531)	(1.488)	(4.224)	spaces	spaces	(.125)

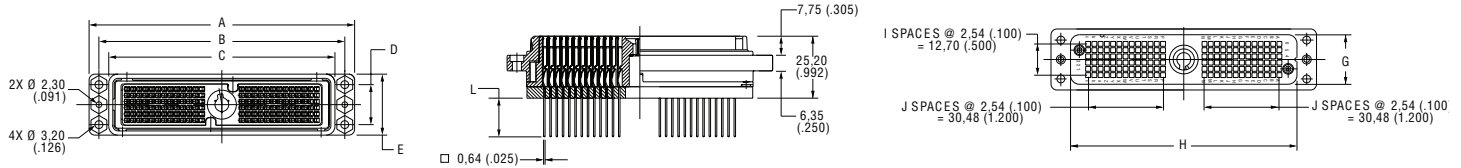
Notes:  
 Front removable 0,64 (0.025) square posts 2,54 (0.100) Centers.  
 1 space at 2,54 (0.100)

Dimensions shown in mm (inch)  
 Specifications and dimensions subject to change

### Receptacle



- For contact cavity arrangements see page 60.
- For panel cutout and mounting hole pattern, see pages 57-59.
- For PC hole pattern, see pages 49-56.



Description	A	B	C	D	E	G	H	I	J	L
<b>DLM3-60RW4</b> <b>DLM3-60RW4B</b>	65,80 (2.592)	57,91 (2.280)	50,55 (1.992)	11,89 (.466)	24,80 (.980)	19,94 (.785)	49,02 (1.931)	5 spaces	4 spaces	15,37 (.605)
<b>DLM3-60RW6</b> <b>DLM3-60RW6B</b>	65,80 (2.592)	57,91 (2.280)	50,55 (1.992)	11,89 (.466)	24,80 (1.360)	19,94 (.785)	49,02 (1.931)	5 spaces	4 spaces	7,11 (.280)
<b>DLM3-60RW9B</b>	65,80 (2.592)	57,91 (2.280)	50,55 (1.992)	11,89 (.466)	24,80 (1.360)	19,94 (.785)	49,02 (1.931)	5 spaces	4 spaces	3,18 (.125)
<b>DLM2-96RW4</b> <b>DLM2-96RW4B</b>	65,80 (2.592)	57,91 (2.280)	50,60 (1.994)	19,38 (.763)	28,12 (1.108)	24,05 (.947)	50,60 (1.994)	7 spaces	6 spaces	15,37 (.605)
<b>DLM2096RW6</b> <b>DLM2-96RW6B</b>	65,80 (2.592)	57,91 (2.280)	50,60 (1.994)	19,38 (.763)	28,12 (1.108)	24,05 (.947)	50,60 (1.994)	7 spaces	6 spaces	7,11 (.280)
<b>DLM2-96RW9B</b>	65,80 (2.592)	57,91 (2.280)	50,60 (1.994)	19,38 (.763)	28,12 (1.108)	24,05 (.947)	50,60 (1.994)	7 spaces	6 spaces	3,18 (.125)
<b>DLM1-156RW4</b> <b>DLM1-156RW4B</b>	108,00 (4.255)	100,03 (3.983)	92,00 (3.622)	16,26 (.640)	24,80 (.976)	20,10 (.792)	92,10 (3.626)	5 spaces	12 spaces	15,37 (.605)
<b>DLM1-156RW6</b> <b>DLM1-156RW6B</b>	108,00 (4.255)	100,03 (3.983)	92,00 (3.622)	16,26 (.640)	24,80 (.976)	20,10 (.792)	92,10 (3.626)	5 spaces	12 spaces	7,11 (.380)
<b>DLM1-156RW9B</b>	108,00 (4.255)	100,03 (3.983)	92,00 (3.622)	16,26 (.640)	24,80 (.976)	20,10 (.792)	92,10 (3.626)	5 spaces	12 spaces	3,18 (.125)
<b>DLM5-260RW4</b> <b>DLM5-260RW4B</b>	108,00 (4.255)	100,03 (3.983)	92,00 (3.622)	26,00 (1.024)	49,61 (1.953)	30,30 (1.193)	92,10 (3.626)	9 spaces	12 spaces	15,37 (.604)
<b>DLM5-260RW6</b> <b>DLM5-260RW6B</b>	108,00 (4.255)	100,03 (3.983)	92,00 (3.622)	26,00 (1.024)	49,61 (1.953)	30,30 (1.193)	92,10 (3.626)	9 spaces	12 spaces	7,11 (.280)
<b>DLM5-260RW9B</b>	108,00 (4.255)	100,03 (3.983)	92,00 (3.622)	26,00 (1.024)	49,61 (1.953)	30,30 (1.193)	92,10 (3.626)	9 spaces	12 spaces	3,18 (.125)
<b>DLM6-360RW4</b> <b>DLM6-360RW4B</b>	125,00 (4.291)	115,00 (4.528)	104,30 (4.106)	29,00 (1.142)	42,60 (1.677)	37,80 (1.488)	107,30 (4.224)	11 spaces	14 spaces	15,37 (.604)
<b>DLM6-360RW6</b> <b>DLM6-360RW6B</b>	125,00 (4.291)	115,00 (4.528)	104,30 (4.106)	29,00 (1.142)	42,60 (1.677)	37,80 (1.488)	107,30 (4.224)	11 spaces	14 spaces	7,11 (.280)
<b>DLM6-360RW9B</b>	125,00 (4.291)	115,00 (4.528)	104,30 (4.106)	29,00 (1.142)	42,60 (1.677)	37,80 (1.488)	107,30 (4.224)	11 spaces	14 spaces	3,18 (.125)

Notes:  
Front removable 0,64 (0.025) square posts 2,54 (0.100) Centers.  
1 space at 2,54 (0.100)

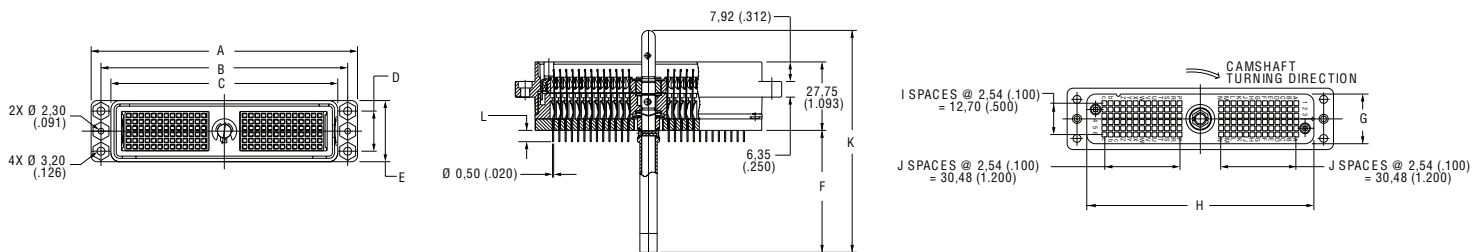


Dimensions shown in mm (inch)  
Specifications and dimensions subject to change

### Plug



- Order Actuating Handle Kit sold separately, see page 35.
- For contact cavity arrangements see page 60.
- For panel cutout and mounting hole pattern, see pages 57-59.
- For PC hole pattern, see pages 49-56.



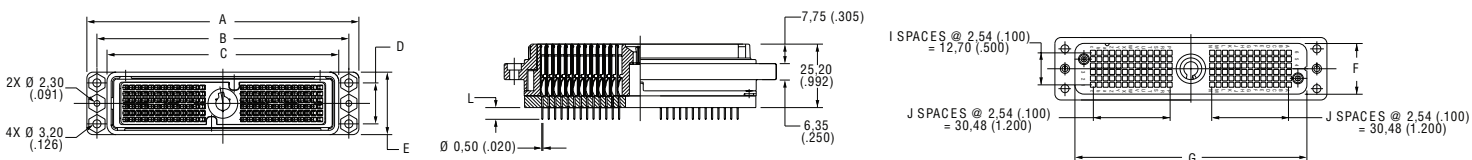
Description	A	B	C	D	E	F	G	H	I	J	K	L
<b>DLM3-60PC-F</b>	65,80 (2.592)	57,91 (2.280)	50,55 (1.992)	11,89 (.468)	24,90 (.980)	34,20 (1.347)	19,94 (.785)	49,02 (1.994)	5	4	74,75 (2.945)	4,60 (.181)
<b>DLM2-96PC-F</b>	65,80 (2.592)	57,91 (2.280)	50,60 (1.994)	19,38 (.763)	28,12 (1.108)	34,20 (1.347)	24,05 (.947)	50,60 (1.994)	7	6	74,75 (2.945)	4,60 (.181)
<b>DLM1-156PC-F</b>	108,00 (4.255)	100,03 (3.983)	92,20 (3.626)	16,26 (.640)	24,80 (0.977)	49,45 (1.948)	20,10 (0.792)	92,10 (3.626)	5	12	90,00 (3.546)	4,60 (.181)
<b>DLM5-260PC-F</b>	108,00 (4.255)	100,03 (3.983)	92,00 (3.626)	26,00 (1.024)	35,00 (1.378)	49,90 (1.965)	30,30 (1.193)	92,10 (3.626)	9	12	90,00 (3.546)	4,60 (.181)
<b>DLM6-360PC-F</b>	125,00 (4.291)	115,00 (4.528)	104,30 (4.106)	29,00 (1.142)	42,60 (1.677)	64,30 (2.531)	37,80 (1.488)	107,30 (4.224)	11	14	104,70 (4.122)	4,60 (.181)

Notes:  
1 space at 2,54 (0.100)

### Receptacle



- For contact cavity arrangements see page 60.
- For panel cutout and mounting hole pattern, see pages 57-59.
- For PC hole pattern, see pages 49-56.



Description	A	B	C	D	E	F	G	H	I	J	L	
<b>DLM3-60RC-F</b>	65,80 (2.592)	57,91 (2.280)	50,55 (1.992)	11,89 (.468)	24,90 (.980)	19,94 (.785)	49,02 (1.994)	5	4	74,75 (2.945)	4,60 (.181)	
<b>DLM2-96RC-F</b>	65,80 (2.592)	57,91 (2.280)	50,60 (1.994)	19,38 (.763)	28,12 (1.108)	24,05 (.947)	50,60 (1.994)	7	6	74,75 (2.945)	4,60 (.181)	
<b>DLM1-156RC-F</b>	108,00 (4.255)	100,03 (3.983)	92,20 (3.626)	16,26 (.640)	24,80 (.977)	49,45 (1.948)	20,10 (0.792)	92,10 (3.626)	5	12	90,00 (3.546)	4,60 (.181)
<b>DLM5-260RC-F</b>	108,00 (4.255)	100,03 (3.983)	92,00 (3.626)	26,00 (1.024)	35,00 (1.378)	49,90 (1.965)	30,30 (1.193)	92,10 (3.626)	9	12	90,00 (3.546)	4,60 (.181)
<b>DLM6-360RC-F</b>	125,00 (4.291)	115,00 (4.528)	104,30 (4.106)	29,00 (1.142)	42,60 (1.677)	64,30 (2.531)	37,80 (1.488)	107,30 (4.224)	11	14	104,70 (4.122)	4,60 (.181)

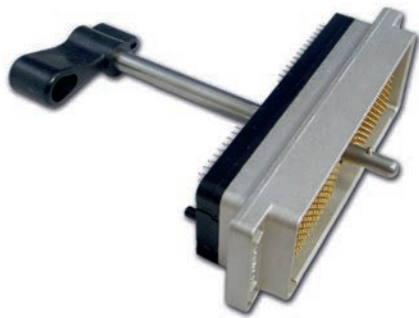
Notes:  
1 space at 2,54 (0.100)

Dimensions shown in mm (inch)  
Specifications and dimensions subject to change

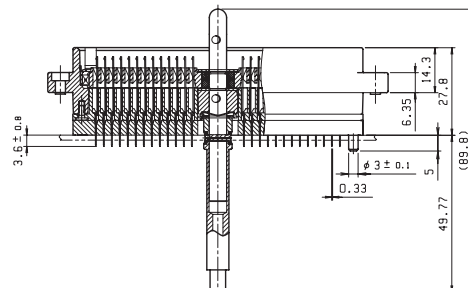
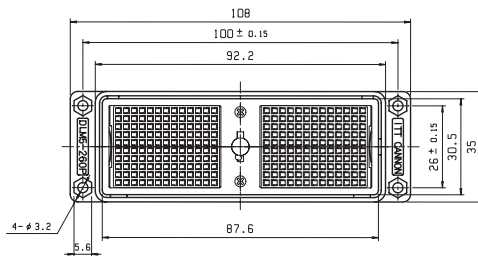
# Cannon ZIF Connectors

## DLM - Metal Body - Pressfit Contacts

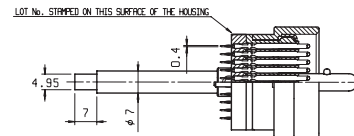
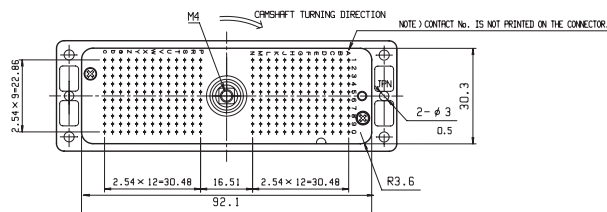
### Plug



- Order Actuating Handle Kit sold separately, see page 35.
- For contact cavity arrangements see page 60.
- For panel cutout and mounting hole pattern, see pages 57-59.
- For PC hole pattern, see pages 49-56.



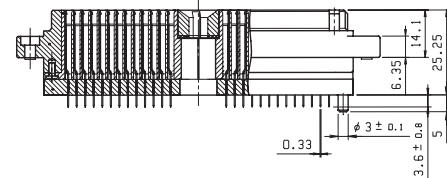
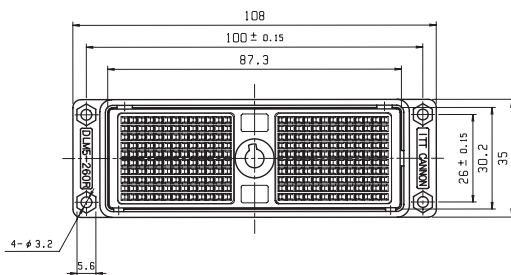
Part Number	Nomenclature
127050-0378	DLM5-260P-PF-F



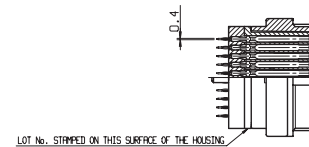
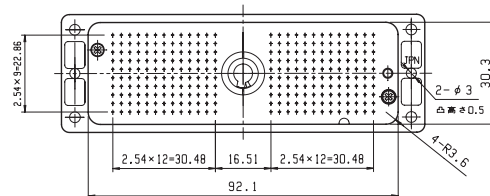
### Receptacle



- For contact cavity arrangements see page 60.
- For panel cutout and mounting hole pattern, see pages 57-59.
- For PC hole pattern, see pages 49-56.



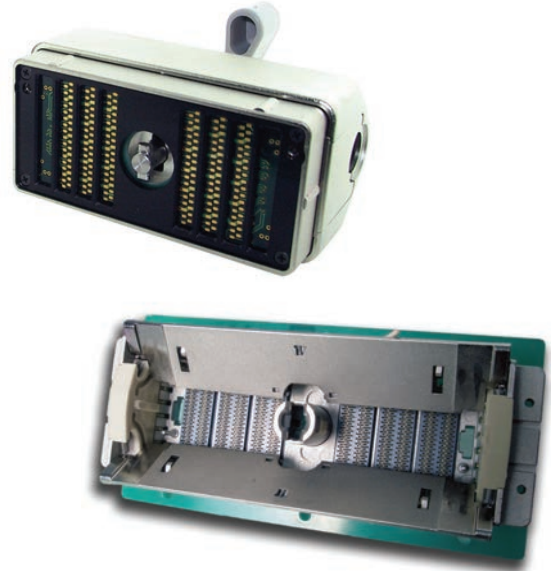
Part Number	Nomenclature
127050-0313	DLM5-260R-PF



Dimensions shown in mm (inch)  
Specifications and dimensions subject to change

www.ittcannon.com

Cannon has developed a 'Resilient Contact' that provides reliable performance with contact wiping action directly on a PCB pad. A high density contact module enables a high pin count connector and flexibility. The nickel plated aluminum housing along with the embedded grounding springs offer superior performance under the harshest EMI conditions. The DLP, like that of the DL, is capable of over 10,000 mating cycles. With the PCB acting as the mated contacts, electronics can be mounted at the signal source, thus reducing cross talk and minimizing real-estate. The DLP-408 is offered with mechanical shutters to meet the IEC requirements for finger protection.



### Materials and Finishes

<b>Housing</b>	Aluminum Alloy (DLP136, 204, 272). Zinc Alloy (DLP408) Nickel Plated
<b>Actuating Camshaft</b>	Stainless Steel, Passivated

### Electrical Data

<b>No. of Contacts:</b>	136, 204, 272, 408
<b>Wire Size:</b>	N/A
<b>Contact Termination:</b>	Receptacle DIP Soldering to PCB - DLP 136, 204, 272 Pressfit to PCB (408)
	Plug Cable termination to PCB Direct soldering to daughter board stacked to PCB Interface connector between cable and PCB

### Mechanical Data

<b>Actuation:</b>	Single Hand
<b>Coupling:</b>	Rotating Latch
<b>Polarization:</b>	Polarizing Posts
<b>Contact Spacing:</b>	1.9 (0.075 Pitch (DLP136 204, 272)), 1.6 (0.063) Pitch (DLP408)
<b>Shell Styles:</b>	Plug and Receptacle

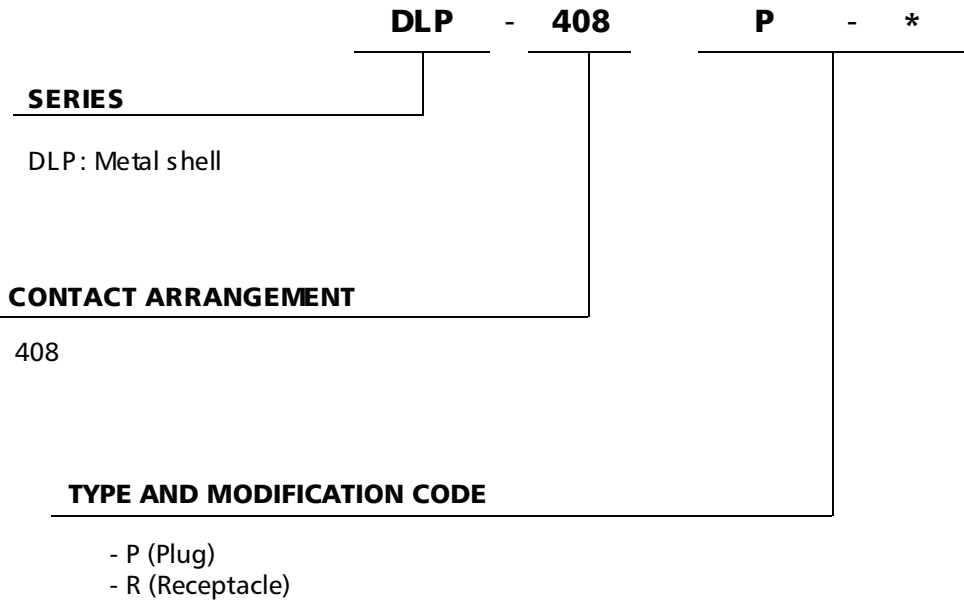
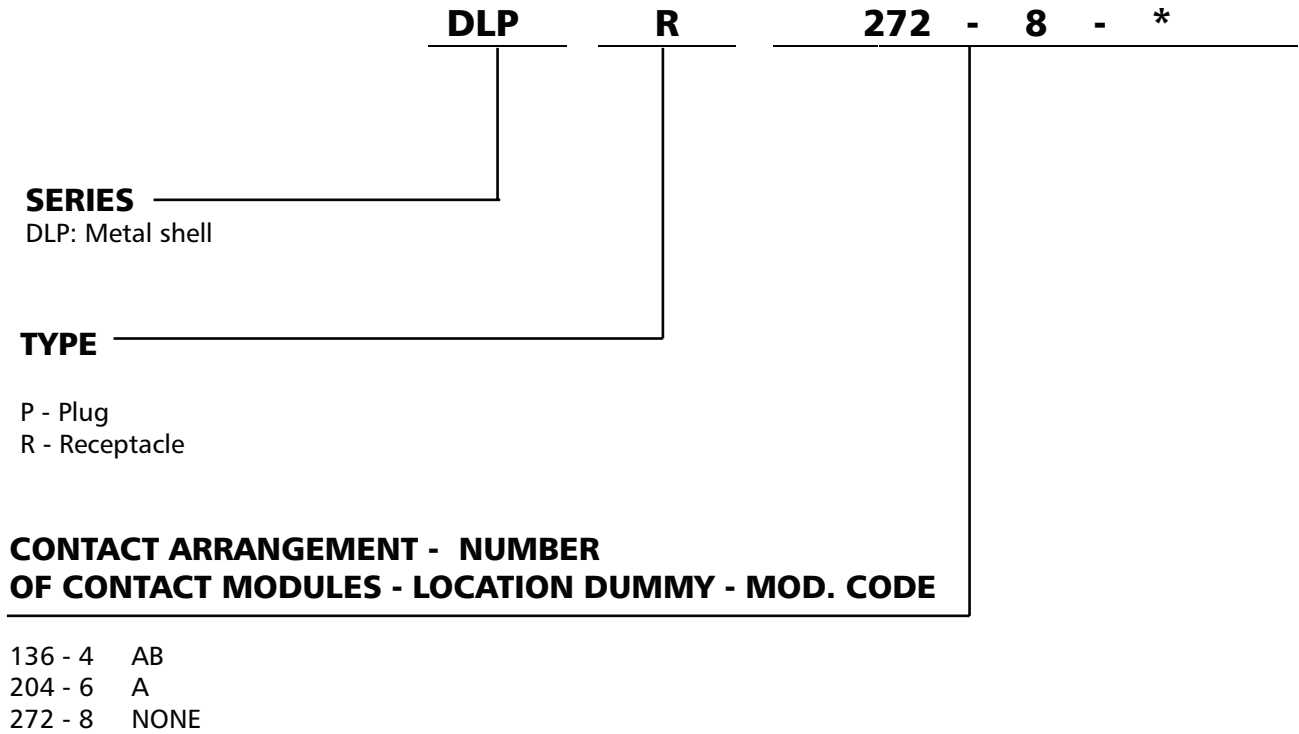
### Performance Data

<b>Dielectric Withstanding Voltage:</b>	500 VAC RMS
<b>Insulation Resistance</b>	1000 Megaohms minimum
<b>Durability:</b>	10,000 Cycles minimum
<b>Contact Resistance:</b>	30 milliohms maximum (Initial)
<b>Contact Retention:</b>	4.9N (1.1 LBS)

Dimensions shown in mm (inch)  
Specifications and dimensions subject to change

www.ittcannon.com

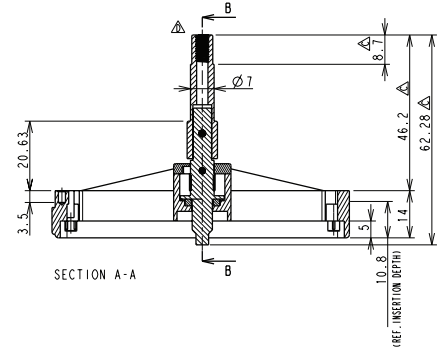
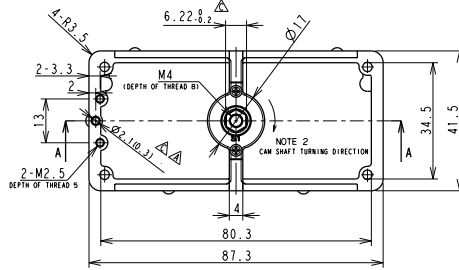
How to Order



### Plug

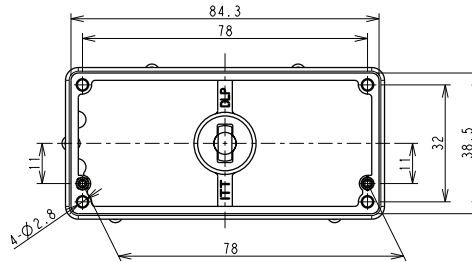


Part Number	Nomenclature
127050-0299	DLP-P



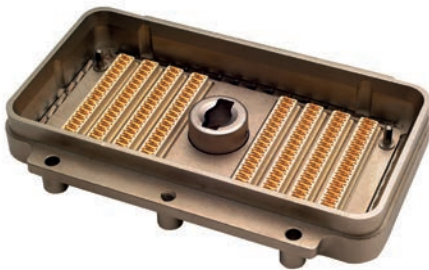
Part Number	Description
127000-2721	DLP PWB Plate 8
127000-2721	DLP PWB Plate 6
M2.5 x 15mm	PWB Plate Mounting Screw

Note: Flat head screw length dependent on customer backshell design

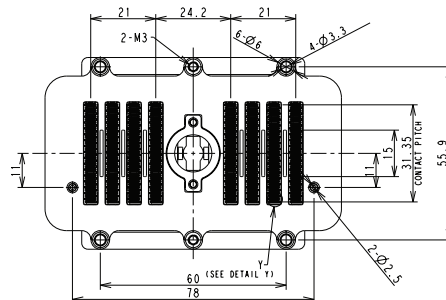
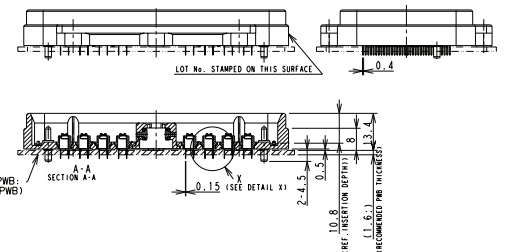
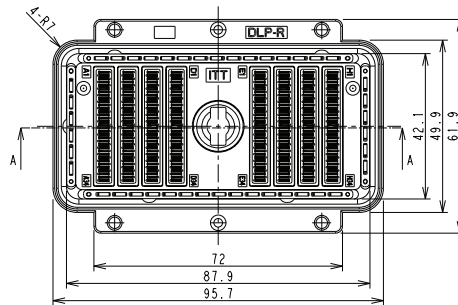


- Order Protective cover, sold separately. See page 36.
- For PC pad layout, see pages 49-56.
- Not including backshell, handle, and screw.
- For contact cavity arrangements, see page 60.

### Receptacle



Part Number	Nomenclature
127050-0444	DLP-R204-6-A-F
127050-0391	DLP-R272-8-F



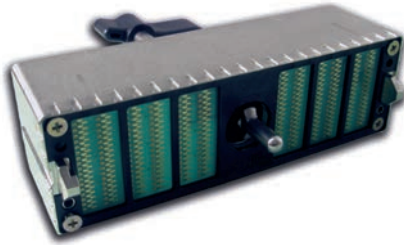
- For PC hole pattern, see pages 49-56.
- For contact cavity arrangements, see page 60.

Dimensions shown in mm (inch)  
Specifications and dimensions subject to change

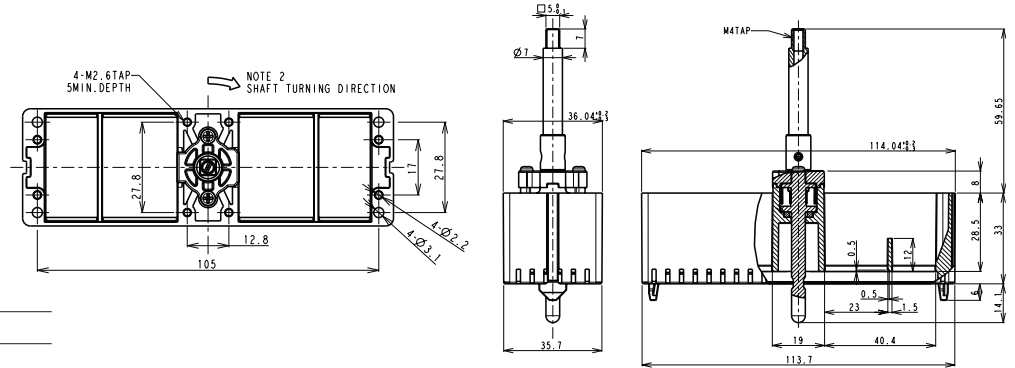
www.ittcannon.com



### Plug



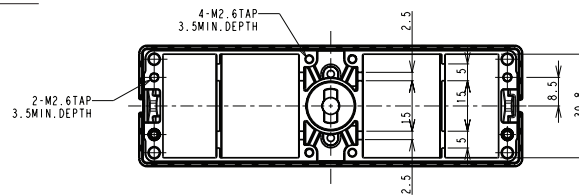
- Order Actuating Handle Kit, sold separately. See page 35.
- For Contact Cavity arrangements, see page 60.
- For PC pad layout, see pages 49-56.
- PWB Protective Plate included. Screws sold separately.



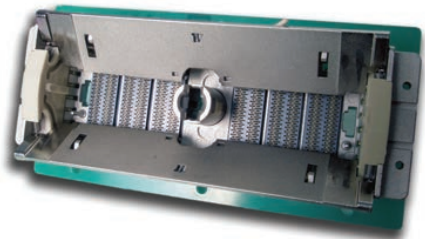
Part Number	Nomenclature
127050-0516	DLP408P
127059-0053	PWB Plate Screws (center)*
127059-0054	PWB Plate Screws (corners)**

\* Two Center plate screws required.

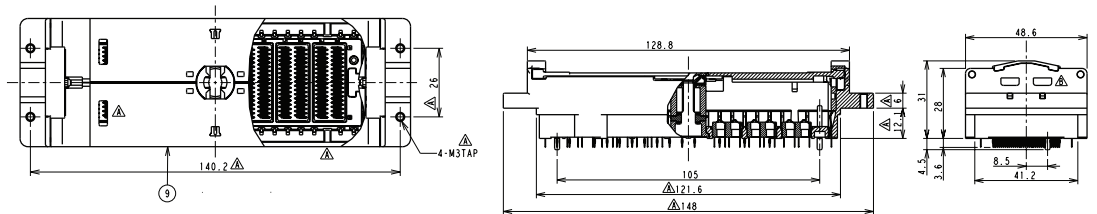
\*\* Four Corner plate screws required.



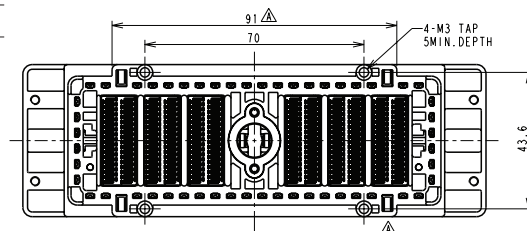
### Receptacle



- For PC hole pattern, see pages 49-56.
- For contact cavity arrangements, see page 60.



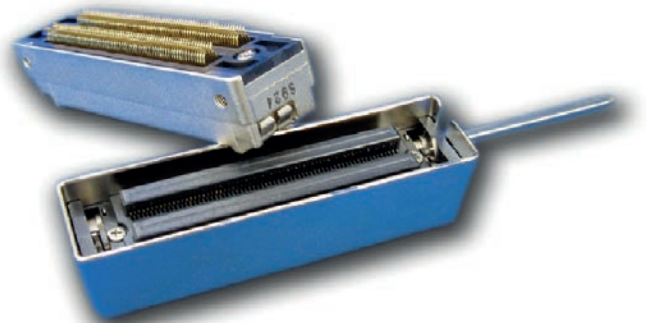
Part Number	Nomenclature
127050-0452	DLP408R



Dimensions shown in mm (inch)  
Specifications and dimensions subject to change

www.ittcannon.com

ITT Expands its DL Family of Connectors with the Miniature QLC Device to Meet Size, Reliability, and Mating Requirements for Portable Medical Equipment. Similar to the DL Series connectors, the QLC connector is highly reliable, easily assembled during harness and mating, and features a high pin count—up to 260 contacts in PC board-mount style. The QLC connector employs rugged nickel-plated aluminum housings and features a minimum rated life of 20,000 complete mating cycles with no performance loss. The interface of the QLC connector utilizes EMI springs and a shield-locking mechanism to ensure uniform mating pressure around the perimeter of the mated connector, creating an EMI/RFI shield.



With technology advances for small portable imaging equipment, the demand for a smaller, higher pin count, shielded, reliable connector proves essential.

Consequently, ITT reduced the spacing from the standard DL to 0.8mm, thus reducing the overall size by more than 60% with the same number of contacts. The high pin count allows the engineer to utilize various grounding schemes to maintain signal integrity. The reduction in size, coupled with the superior shield design of the QLC, creates a sound interconnect choice for today’s portable market.

## Materials and Finishes

<b>QLC Housing:</b>	Zinc, Nickel plated
<b>Contacts:</b>	Copper Alloy, 40 $\mu$ inches gold over nickel in mating area, gold flash over nickel in tail area
<b>Shaft Assembly:</b>	Stainless steel and plastic
<b>Ground Spring:</b>	Stainless steel
<b>Insert Mold:</b>	Plastic

## Electrical Data

<b>No. of Contacts:</b>	260
<b>Wire Size:</b>	N/A
<b>Contact Termination:</b>	Receptacle - DIP Solder to PCB Plug - Solder to Daughter Board

## Mechanical Data

<b>Actuation:</b>	Roating Handle
<b>Coupling:</b>	Quad Latch
<b>Polarization:</b>	Polarizing Posts
<b>Contact Spacing:</b>	0.8mm
<b>Shell Styles:</b>	Plug and Receptacle

## Performance Data

<b>Dielectric Withstanding Voltage:</b>	1000 VAC RMS
<b>Insulation Resistance</b>	1000 Megaohms minimum
<b>Durability:</b>	20,000 Cycles maximum
<b>Contact Resistance:</b>	100 milliohms maximum (including bulk resistance)
<b>Contact Retention:</b>	N/A

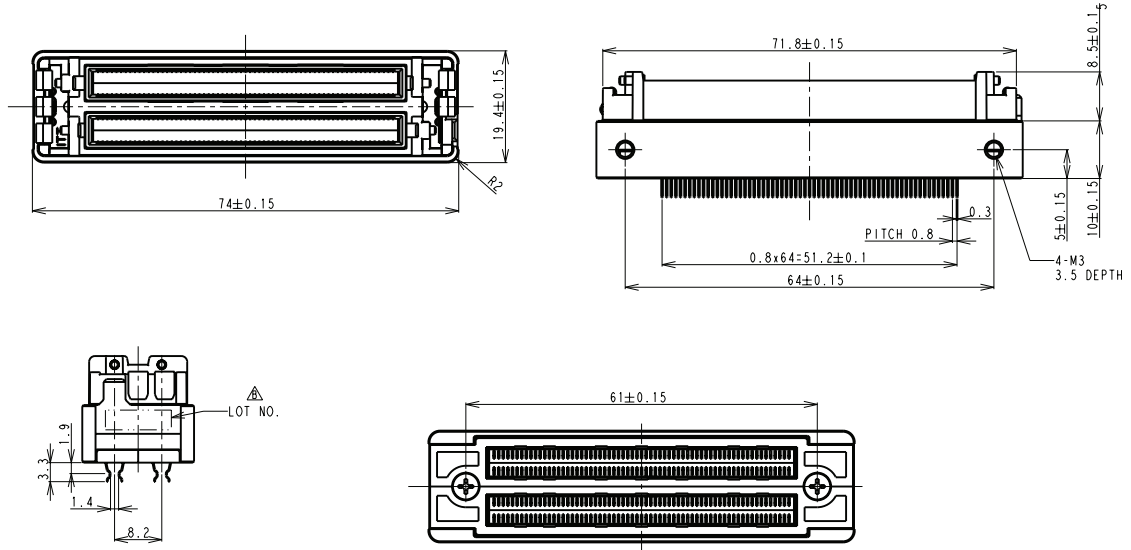
Dimensions shown in mm (inch)  
Specifications and dimensions subject to change

## Plug

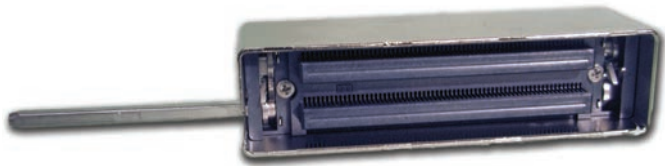


- Insulator retaining screw sold separately.
- For PC hole pattern, see pages 49-56.

Part Number	Nomenclature
127050-0529	QLC260P
127059-0067	Insulator Retaining Screw (2 required)

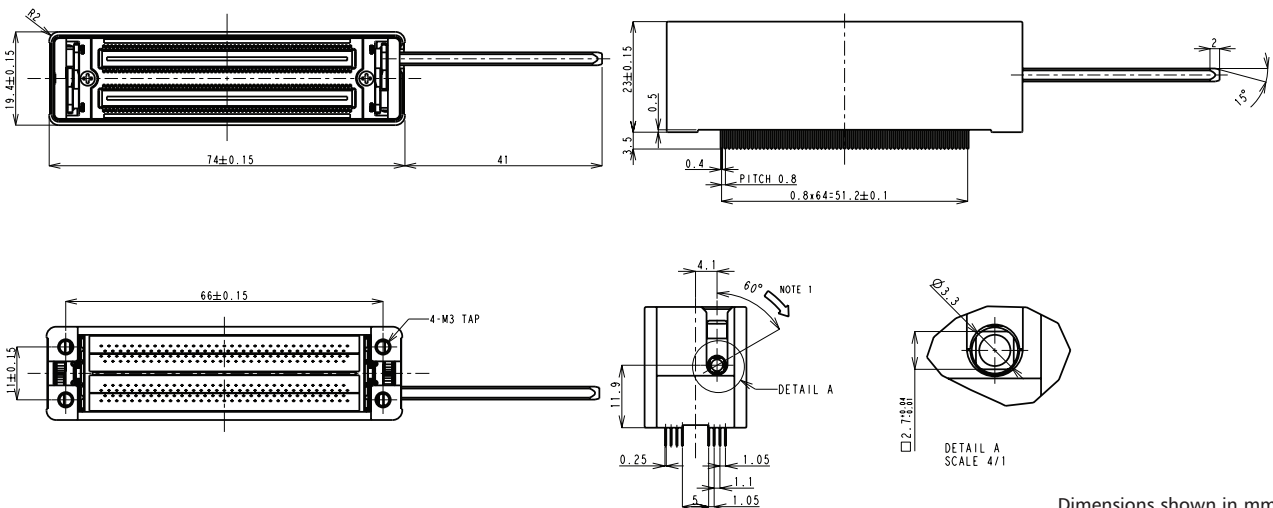


## Receptacle



- Order actuating handle kit, sold separately. See page 35.
- For contact cavity arrangements, see page 60.
- For PC pad layout, see pages 49-56.

Part Number	Nomenclature
127050-0530	QLC260R



Cannon offers a wide selection of accessories that allow the design engineers to configure the product for their exact needs. The accessories range from the simple actuating handle to junction and backshells, as well as polarizing posts and protective covers for the contacts.

Actuating handles are the same for the DL1/2/3 and DLM1/2/3 series. The DL5/DLM5 and DLM6 series have specific handles. Handles are sold separately since many applications require the connector to be attached or removed only by an authorized technician.

Plastic junction shells are available for the DL1/2/3 series for encasement of the crimp contacts after complete installation into the connector. These shells also make it possible for the DL to be used as a cable-to-cable mating connector as they can be used both on the plug and the receptacle. The DL1/2/3 plastic junction shells have optional secondary cable entry capability by removing the molding in the cable entry plugs. Cable clamp kits are available to affix the cable to the second entry. This second entry option is very useful in applications where the large wire sizes make the cable diameter too large to be handled from a single entry port.

Metal Backshells are available for the entire DL/DLM series. The metal backshells are constructed from die cast aluminum with a nickel plating to facilitate in EMI/RFI shielding of the connector systems. Shielding has become a driving force because of the ever increasing stringent EMI/RFI regulations



Polarizing posts are available to offer a keying feature for both the DL and DLM connectors. The polarizing posts can be installed in specific orientation so that plugs of the same size connectors can only be mated in predetermined receptacles. This feature offers the designer the ability to fool-proof the attachment possibilities to protect accidental damage to the system. Protective covers of plastic and anti-static rubber are available to

offer contact protection from physical damage or dust. Since the DL series has a high density of contacts in an exposed area, these covers are very useful for many applications. For example, where systems have multiple connectors, or when the connections are often left unattached, or when the system parts are put into storage.

## Accessory Selection Guide

Connector Series	Actuating Handles see page	Protective Covers		Metal Shell EMI/RFI Shielding see page	Plastic Junction Shell see page	Cable Clamps see page	Metal Backshell see page	Polarizing Posts see page
		Rubber see page	Plastic see page					
<b>DL1-156</b>				-				
<b>DL2-96</b>				-				
<b>DL3-60</b>				-				
<b>DL4-624</b>	included			-				
<b>DL5-260</b>		-						
<b>DLM1-156</b>				-				
<b>DLM2-96</b>				-				
<b>DLM3-60</b>				-				
<b>DLM5-260</b>		-		-				
<b>DLM6-360</b>		-		-				

Compatible  
-Not Compatible

### Product Features

- Stainless steel cable clamps
- Thermoplastic UL 94V-1 rated
- Straight 90 or 45 cable entry
- Accommodates up to 22,22 (.875) cable
- For use with crimp contact connectors
- Knockout plug provides alternate second entry
- Complete with 4 attaching screws and nuts
- Complete with one cable clamp kit

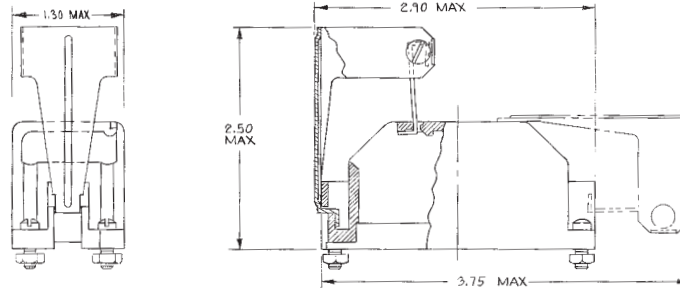
### Junction Shell Kit (Straight or 90° Mounting)



#### DL1 / DLM1

Description	Part Number	A	B	C	D	E	F	G	H	I	Max Cable Entry
DL-1-J/S	249-1950-000	110,74 (4.360) MAX	62,36 (2.455) MAX	68,58 (2.700) MAX	86,36 (3.400) MAX	43,94 (1.730) MAX	57,78 (2.275) MAX	63,50 (2.500) MAX	27,69 (1.090) MAX	50,44 (1.988) MAX	22,23 (0.875)

Note: Single Piece Shell



#### DL2 / DLM2 DL3 / DLM3

Description	Part Number	A	B	C	D	E	F	G	H	I	Max Cable Entry
DL2-J/S	249-1985-000	68,83 (2.710) MAX	46,81 (1.843) MAX	52,45 (2.065) MAX	71,04 (2.797) MAX	30,05 (1.183) MAX	36,45 (1.435) MAX	39,29 (2.500) MAX	31,75 (1.547) MAX	44,04 (1.250) MAX	14,20 (0.560)
DL2-2-J/S	249-2238-000	68,83 (2.710) MAX	46,81 (1.843) MAX	52,45 (2.065) MAX	71,04 (2.797) MAX	30,05 (1.183) MAX	36,45 (1.435) MAX	39,29 (2.500) MAX	31,75 (1.547) MAX	44,04 (1.250) MAX	15,90 (0.625)
DL2-4-J/S	249-2238-001	68,83 (2.710) MAX	46,81 (1.843) MAX	52,45 (2.065) MAX	71,04 (2.797) MAX	30,05 (1.183) MAX	36,45 (1.435) MAX	39,29 (2.500) MAX	31,75 (1.547) MAX	44,04 (1.250) MAX	22,23 (0.875)
DL3-J/S	249-2060-000	68,83 (2.710) MAX	46,81 (1.843) MAX	52,45 (2.065) MAX	71,04 (2.797) MAX	30,05 (1.183) MAX	36,45 (1.435) MAX	39,29 (2.500) MAX	31,75 (1.547) MAX	44,04 (1.250) MAX	14,20 (0.560)
DL3-3-J/S	249-2237-000	68,83 (2.710) MAX	46,81 (1.843) MAX	52,45 (2.065) MAX	71,04 (2.797) MAX	30,05 (1.183) MAX	36,45 (1.435) MAX	39,29 (2.500) MAX	31,75 (1.547) MAX	44,04 (1.250) MAX	15,90 (0.625)
DL3-4-J/S	249-2237-001	68,83 (2.710) MAX	46,81 (1.843) MAX	52,45 (2.065) MAX	71,04 (2.797) MAX	30,05 (1.183) MAX	36,45 (1.435) MAX	39,29 (2.500) MAX	31,75 (1.547) MAX	44,04 (1.250) MAX	22,23 (0.875)

Note: Two Piece Shell

### Junction Shell Kit (45° Mounting)



#### DL2 / DLM2 DL3 / DLM3

Description	Part Number	A	B	C	D	E	F	G	H	I	Max Cable Entry
DL2-1-J/S	249-1985-001	68,83 (2.710) MAX	46,81 (1.843) MAX	52,45 (2.065) MAX	71,04 (2.797) MAX	30,05 (1.183) MAX	36,45 (1.435) MAX	39,29 (2.500) MAX	31,75 (1.547) MAX	44,04 (1.250) MAX	15,90 (0.625)
DL3-2-J/S	249-2060-001	68,83 (2.710) MAX	46,81 (1.843) MAX	52,45 (2.065) MAX	71,04 (2.797) MAX	30,05 (1.183) MAX	36,45 (1.435) MAX	39,29 (2.500) MAX	31,75 (1.547) MAX	44,04 (1.250) MAX	15,90 (0.625)

Note: Two Piece Shell



Dimensions shown in mm (inch)  
Specifications and dimensions subject to change

## Cable Clamp Kit for optional second entry (Straight or 90° Mounting)

### DL1 / DL2 / DL3

Description	Part Number	Max Cable Entry	Mounting
DL1-C/C	218-0179-000	22,23 (0.875)	Straight or 90°
DL2-C/C	218-0180-000	14,20 (0.680)	Straight or 90°
DL2-2-C/C (1)	218-0181-001	15,90 (0.625)	Straight or 90°
DL2-3-C/C (1)	218-0200-000	22,23 (0.875)	Straight or 90°



## Cable Clamp Kit for optional second entry (45° Mounting)

### DL2

Description	Part Number	Max Cable Entry	Mounting
DL2-1-C/C (1)	218-0181-000	15,90 (0.625)	45°

Note: (1) Also suitable for DL3 Connectors

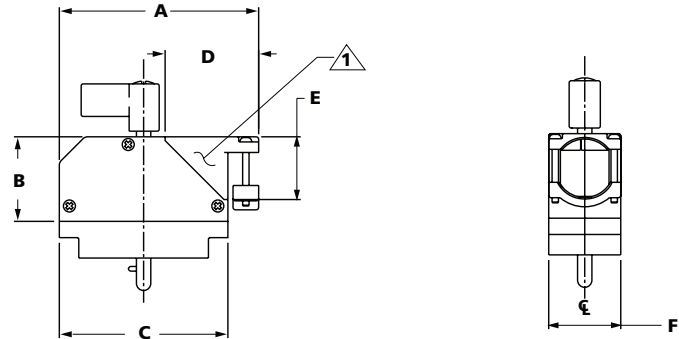


## Standard Materials and Finishes

<b>Shell:</b>	Acrylic paint over die cast aluminum
<b>Hardware:</b>	Stainless Steel

## Two Piece Shell Design (Straight or 90° Mounting)

**DL2 / DLM2**  
**DL3 / DLM3**



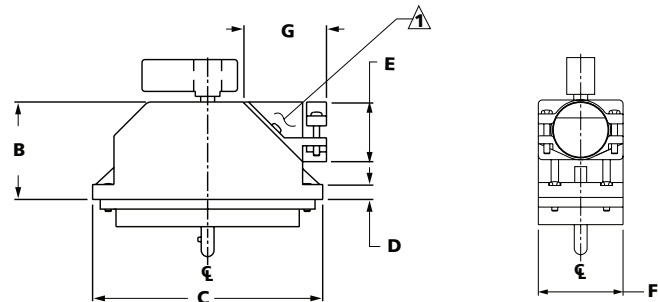
△ Wire hood may be installed in two positions. 90° cable entry as shown or straight entry by rotating wire hood.

Used On	Part Number	A	B	C	D	E	F	Max Cable Entry
<b>DL2 / DLM2 (1)</b>	<b>249-4517-000</b>	77,8 (3.06)	33,0 (1.30)	65,8 (2.59)	36,3 (1.43)	24,5 (.96)	28,1 (1.11)	19,05 (0.750)
<b>DL3 / DLM3 (1)</b>	<b>249-4518-000</b>	77,8 (3.06)	33,0 (1.30)	65,8 (2.59)	36,3 (1.43)	24,5 (.96)	28,1 (1.11)	19,05 (0.750)

Note: Kit consists of 2 shells, 9 screws, 1 wire hood, 1 wire clamp, 1 lock/open indication seal.

## One Piece Shell Design (Straight or 90° Mounting)

**DL1/DLM1**  
**DL5/DLM5**  
**DLM6**



△ Wire hood may be installed in two positions. 90° cable entry as shown or straight entry by rotating wire hood.

Used On	Part Number	A	B	C	D	E	F	Max Cable Entry
<b>DL1/ DLM1 (2)</b>	<b>249-4520-000</b>	123,4 (4,86)	48,6 (1,91)	111,4 (4,38)	N/A	24,0 (0,945)	28,12 (1,11)	19,05 (0,750)
<b>DL5/ DLM5 (3)</b>	<b>249-4501-000</b>	N/A	49,0 (1,93)	115,8 (4,56)	7,6 (0,30)	30,0 (1,18)	42,6 (1,68)	22,3 (0,875)
<b>DL6/ DLM6 (3)</b>	<b>249-4515-000</b>	N/A	63,0 (2,48)	125,0 (4,92)	7,6 (0,30)	30,0 (1,18)	42,6 (1,68)	28,00 (1,102)

Notes: (2) Kit consists of 2 shells, 10 screws, 1 wire hood, 1 wire clamp, 1 lock/open indication seal.

(3) Kit consists of 1 shell, 8 screws, 1 wire hood, 1 wire clamp, 4 nuts.



Dimensions shown in mm (inch)  
Specifications and dimensions subject to change

www.ittcannon.com

### Product Features

- Provides a convenient method of actuating the contacts and cam for locking the connector.
- Kit provides actuating handle and attaching screw.
- Pointer on handle denotes "locked" and "open" positions.

### Materials and Finishes

**Handle:** Glass filled thermoplastic

**DL1 / DL2 / DL3  
DLM1 / DLM2 / DLM3**



**Part Number: 204-0016-000**

**DL5  
DLM5  
DLP408**



**Part Number: 204-4501-000**

**DLM6**



**Part Number: 204-4500-000**

**QLC**



**Part Number: 127059-0069**

Note: For DLP 272 Handle, please consult factory for more information.

### Protective Covers

#### Product Features

- Fits snugly over mating faces
- Prevents foreign matter from permeating contact cavities

### Protective Covers - Rubber

#### Materials and Finishes

**Cover:** Anti-static synthetic rubber

#### DL / DLM Receptacle



Cover for	Part Number
DL1-156R	039-0243-000
DL2-96R	039-0245-000
DL3-60R	039-0247-000
DL4-624R	039-0240-000

#### DL / DLM Plug



Cover for	Part Number
DL1-156P	039-0242-000
DL2-96P	039-0244-000
DL3-60P	039-0246-000
DL4-624P	039-0239-000

### Protective Covers - Plastic

#### Materials and Finishes

**Cover:** Polyethylene

#### DL / DLM Plug



Cover for	Part Number
DL1-156P	025-0852-000
DL2-96P	025-0857-000
DL3-60P	025-0850-000

#### DL / DLM Receptacle



Cover for	Part Number
DL1-156R	025-4506-000
DL2-96R	025-4505-000
DL3-60R	025-4509-000
DL5-260R	025-1218-000

Note: Must remove/cut secondary cap from DL5 cover

#### DLP 272



Nomenclature	Part Number
DLP PWB Protect 6A/H	127000-2721
DLP PWB Protect 8	127000-2720
DLP Plug Dust Cap	127000-2719
DLP Receptacle Dust Cap	127000-2732



Dimensions shown in mm (inch)  
Specifications and dimensions subject to change

www.ittcannon.com

### Center Mounting

#### Materials and Finishes

<b>Post:</b>	Zinc, copper over nickel
<b>Screw:</b>	Stainless Steel

#### DL1 / DL2 DLM1 / DLM2



Kit consists of	Part Number
2 posts and 2 no. 2- 56 X3/ fil. Head screws	<b>320-0021-005</b>

### Corner Mounting

#### Materials and Finishes

<b>Post:</b>	Zinc, nickel
<b>Screw:</b>	Stainless Steel

#### DLM1 / DLM2 / DLM3



Kit consists of	Part Number
2 posts and 2 No. 4-40x9/32	<b>320-0021-006</b>

#### DL1 / DL2 / DL3 / DLM1 / DLM2 / DLM3 with Metal Back shell



Kit consists of	Part Number
4 posts and 4 M2.5x10 screws	<b>320-4505-000</b>

#### DL5 DLM5



Kit consists of	Part Number
4 posts and 4 M3x8 screws	<b>320-4502-000</b>

## Materials and Finishes

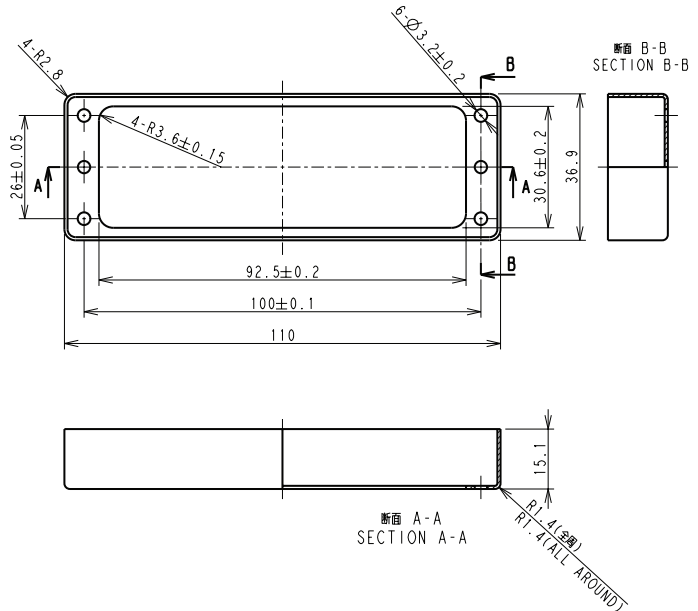
Shell: Steel, Nickel Finish

## Metal Shells (DL5 only)

### Plug



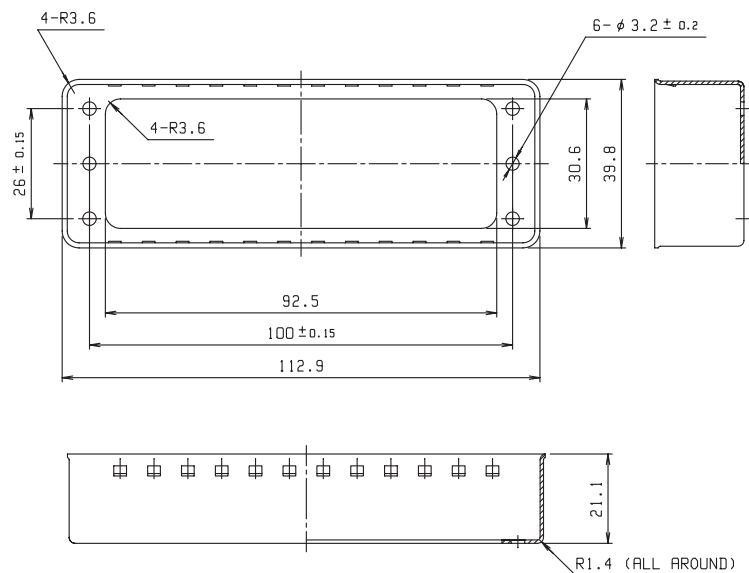
Description	Part Number
Plug Shell	248-4500-000



### Receptacle



Description	Part Number
Receptacle Shell	248-4501-000



The Cannon DL Crimp and Buss contacts are available in addition to the factory installed Square Post/PCB mount version contacts. Crimp contacts are available loose only.

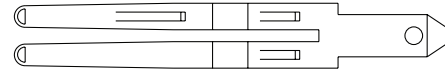
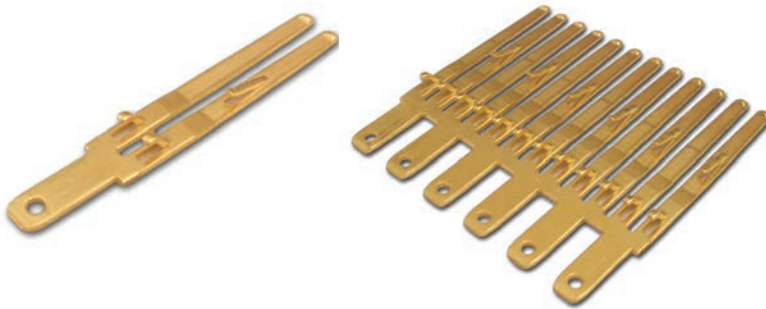
The Buss Contacts make the DL series capable of providing higher than 5 amps per line. The Buss contacts are pairs of contact lines which increase the amperage capability in increments of 10 amps up to 60 amps. The contacts have solder holes at the tail section for soldering #30-#18 AWG. The tail is also designed to accommodate a 1/8 crimp lug for wire sizes larger than #18.

The Crimp contacts are available in two plating types. The 20 $\mu$  inch gold hermaphroditic version which is the economical choice for applications requiring over 100 milliamps to 5 amps, and the 50 $\mu$  gold bump to flat version which offers the most versatile range of applications requirements from micro-amps to 5 amps.

The Bump to Flat version was developed specifically to handle "dry circuit" requirements where the signal amperage is not enough to ensure a clean contact point. The 50 $\mu$  inch gold Bump to Flat version is mandatory for applications with signals below 100 milliamps. The Bump contact is installed in the Plug and the Flat contact is installed in the receptacle. This combination increases the contact force and ensures that the wiping point becomes the current carrying point after mating. The 50 $\mu$  inch gold Bump to Flat version has become the standard for all modern applications where power and low voltage signals are combined into one connector.



### 1 Pair



- Designed for power distribution of more than 5 amps.
- Accommodates #30-#18 AWG in hole 1,29-1,14 (.051-.045) for wire soldering.
- Accommodates 1/8 crimp lugs for larger wire sizes.

### Buss Contact

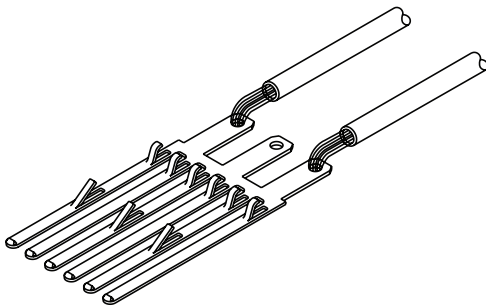
Description	Part Number
1 Pair	030-7380-001
2 Pair	030-7380-002
3 Pair	030-7380-003
4 Pair	030-7380-004
5 Pair	030-7380-005
6 Pair	030-7380-006

**Material:** Copper Alloy

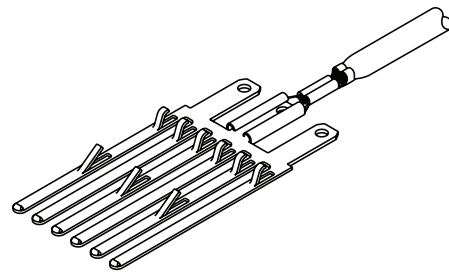
**Finish:** 20 $\mu$  inch in mating area / gold flash on balance (terminating end)

Note: For more information on tools and assembly, see pages

### Wire Termination - Solder



### Wire Termination - Crimp Lug



Note: Contacts must be installed in the vertical position.

### 50 inch Gold Contacts

- Recommended for all applications
- Offer the broadest amperage range
- Mandatory for low current applications, less than 100 milliamps.

#### Materials and Finishes

<b>Material:</b>	Copper Alloy
<b>Finish:</b>	50 inch Gold over Nickel in mated area, Gold flash on balance (terminating end)

### Plug (Bump)



Wire Type	Loose Part Number	Reeled Part Number
28 thru 32 AWG	<b>030-2416-003</b>	<b>110238-0482</b>
24 thru 26 AWG	<b>030-2410-003</b>	<b>110238-0480</b>
20 thru 22 AWG	<b>030-2409-003</b>	<b>110238-0479</b>
18 thru 20 AWG (1)	<b>030-2415-003</b>	<b>110238-0481</b>

Note: Contact can be used in both plug and receptacle for applications above 100 MA.

### Receptacle (Flat)



Wire Type	Loose Part Number	Reeled Part Number
28 thru 32 AWG	<b>030-2494-001</b>	<b>110238-0486</b>
24 thru 26 AWG	<b>030-2492-001</b>	<b>110238-0484</b>
20 thru 22 AWG	<b>030-2491-001</b>	<b>110238-0483</b>
18 thru 20 AWG (1)	<b>030-2493-001</b>	<b>110238-0485</b>

Caution: Flat contacts can only be used in the receptacle

### 20 inch Gold Contacts

#### Materials and Finishes

<b>Material:</b>	Copper Alloy
<b>Finish:</b>	20 inch Gold over Nickel, in mated area, Gold flash on balance (terminating end)

### Plug and Receptacle (Bump) (3)

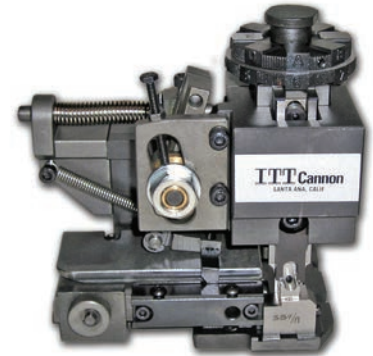
Wire Type	Loose Part Number	Reeled Part Number
28 thru 32 AWG	<b>030-2416-001</b>	<b>110238-0403</b>
24 thru 26 AWG	<b>030-2410-001</b>	<b>110238-0401</b>
20 thru 22 AWG	<b>030-2409-001</b>	<b>110238-0400</b>
18 thru 20 AWG	<b>030-2415-001</b>	<b>110238-0402</b>

- Note: (1) Non insulation support  
 (2) 20 inch gold in mating area/Gold flash on balance (terminating end), RoHS compliant, sold in lots of 100 pieces.  
 (3) 20 inch gold Bump contact are used for both Plug and Receptacle

A key feature of the Cannon DL connector series is easy contact termination, both in the field and in high-volume production. An ergonomically designed hand crimp tool is available for the low volume (loose contact) applications and will accommodate two different crimp contact sizes. To reduce overall costs, the crimp jaws are replaceable.

Automatic crimp and strip/crimp machines are available for high volume applications requiring a large number of crimps (50,000 crimps per year or more). These machines are leased to customers to eliminate the need for heavy investment. They also improve productivity for large pin count applications.

DL Crimp contacts are designed to be hand installed into the connector, no tooling is needed for the insertion process. Extraction tools are available for the removal of Crimp contacts for easy repair even in field applications. Extraction tools are also available for the Buss contacts, as well as the factory installed Square Post contacts.



## Hand Crimp Tool



Hand Crimp Tool

Hand Tool	Description	Part Number
1	CHDLT 28-32	<b>112108-0002</b>
2	CHDLT 20-26	<b>112108-0001</b>
3	CHDLT 18-20	<b>112108-0000</b>

## Crimp Tensile Strength

Crimp tensile strength is a measure of how hard a wire can be pulled without breaking or separating from the contact. This is the best way to verify that the wire is properly terminated to the contact. Periodic crimp tensile measurements are recommended to insure the integrity of the crimp. The table below contains the appropriate values for DL crimp contacts.

Wire Trim Dimension



Wire Size (AWG)	32	30	28	26	24	22	20	18
Tensile Min. (lbs)	1	1.5	3	7	10	15	19	30
Wire Trim Dimension "A"	3,30 (.130)	3,30 (.130)	3,30 (.130)	3,30 (.130)	3,30 (.130)	3,30 (.130)	4,06 (.160)	4,06 (.160)
Insulation Dia. Max (.074)	1,35 (.053)	1,35 (.053)	1,35 (.053)	1,65 (.065)	1,65 (.065)	1,88 (.074)	1,88 (.074)	1,88



Dimensions shown in mm (inch)  
Specifications and dimensions subject to change

www.ittcannon.com

## Extraction Tool - Buss Contacts



### Extraction Tool for Buss Contact

Description Number	Contacts	Part
CET-DL3	1 pair	<b>274-7029-003</b>
CET-DL4	2 pair	<b>274-7029-004</b>
CET-DL4	3 pair	<b>274-7029-004</b>
CET-DL5	4 pair	<b>274-7029-005</b>
CET-DL6	5 pair	<b>274-7029-006</b>
CET-DL6	6 pair	<b>274-7029-006</b>

## Extraction Tool - Crimp, Square Post, PC/RC Contacts

CET-DL10

CET-ECP

CET-ECP-1



Description	Part Number	Contact Type	PC Tail Extension
CET-DL10	<b>274-7029-007</b>	Crimp	-
CET-ECP	<b>274-7045-000</b>	Wrap Post	15,37 (.605)
CET-ECP-1	<b>274-7045-001</b>	Square Post	7,11 (.280)

### Assembly Instructions for Crimp Contacts

#### Contact Insertion:

All crimp contacts inserted by hand. No tooling is required for either the plug or receptacle.

**Caution:** Do not force contacts into contact cavities. If contact encounters excessive resistance during installation remove and re-insert using a slight up and down motion. This will assure positive cavity alignment. **Do not** install contact if plug is in the **closed** or actuated position.

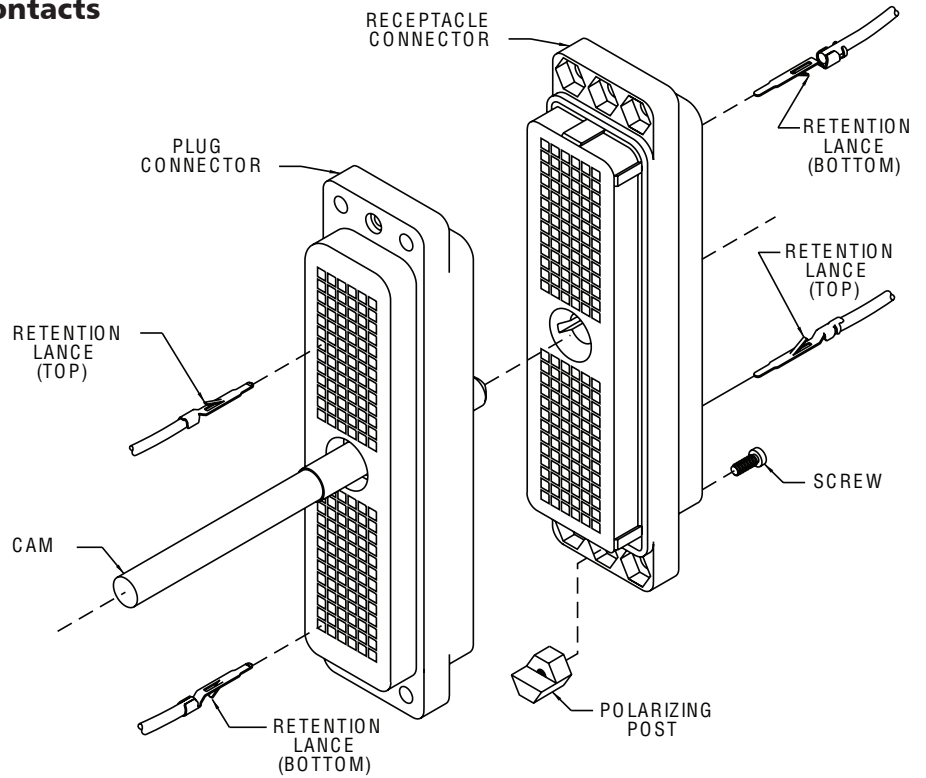
#### Plug:

Step 1. Prior to inserting contacts, turn the shaft counter-clockwise to its maximum **open** position.

Step 2. With the retention lance positioned away from the shaft, insert contacts from the rear of the contact plug.

#### Receptacle:

Step 1. With the retention lance positioned toward the shaft hole, insert contacts from the rear of the receptacle.

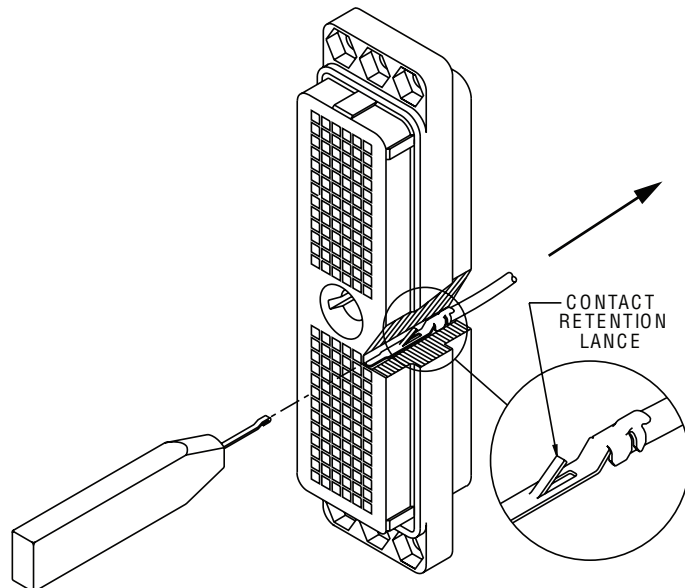


### Contact Removal for Crimp Contacts

#### Tool: CET-DL10



Release retention lance by inserting tip of extraction tool into cavity until it bottoms on insulator shoulder. Gently pull wire in direction of arrow, see illustration, to remove contact from insulator.



### Assembly Instructions for Buss Contacts

#### Contact Insertion:

All buss contacts are inserted by hand. No tooling is required for either the plug or receptacle.

**Caution:** Do not force contacts into contact cavities. If contact encounters excessive resistance during installation remove and re-insert using a slight up and down motion. This will assure positive cavity alignment. **Do not** install contact if plug is in the **closed** or actuated position.

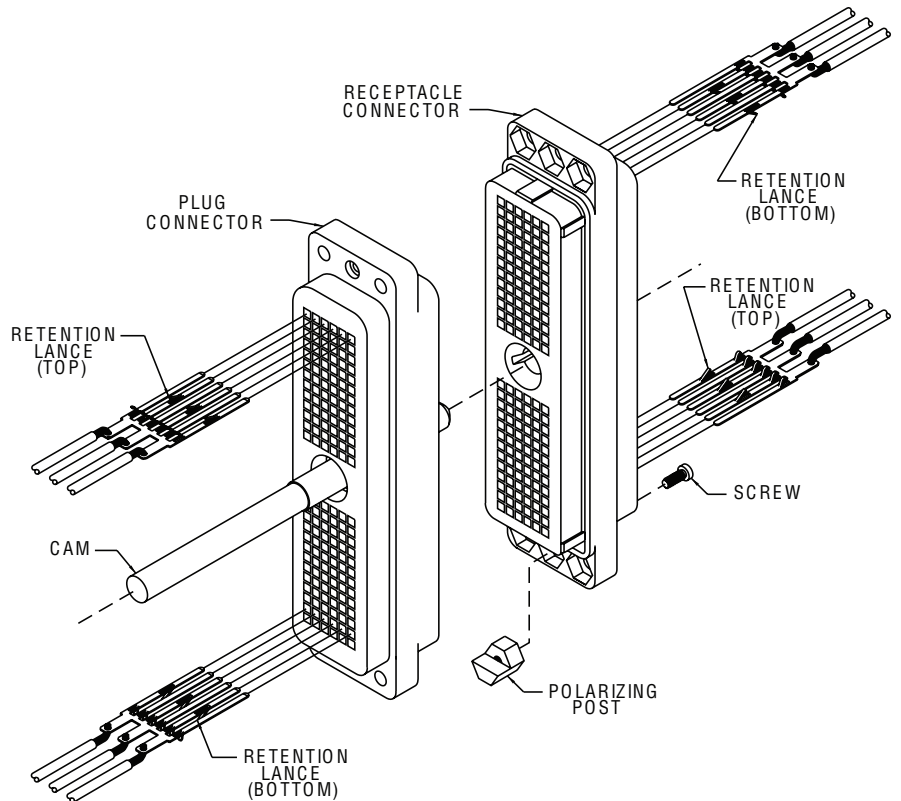
#### Plug:

Step 1. Prior to inserting contacts, turn the shaft counter-clockwise to its maximum **open** position.

Step 2. With the retention lance positioned away from the shaft, insert contacts from the rear of the contact plug.

#### Receptacle:

Step 1. With the retention lance positioned toward the shaft hole, insert contacts from the rear of the receptacle.

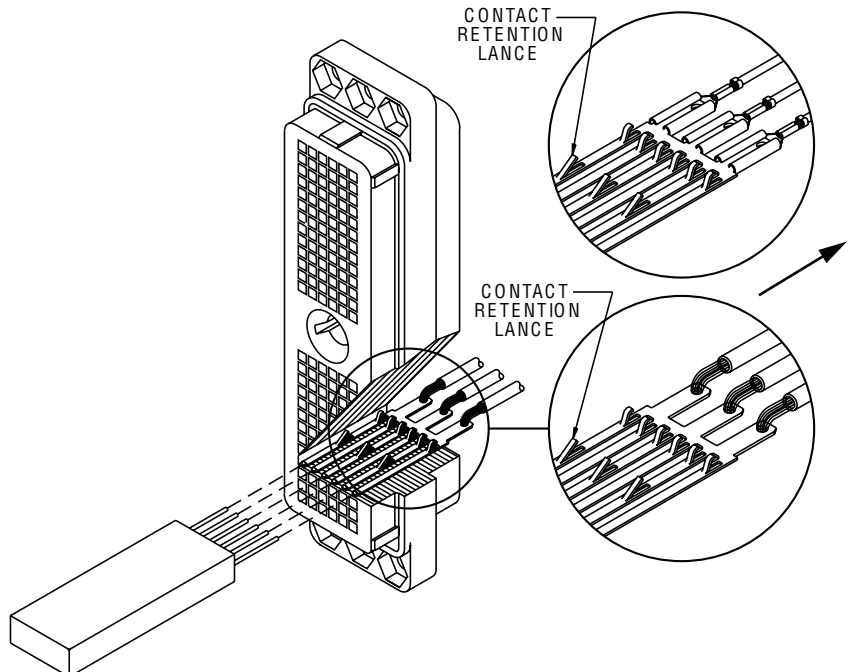


### Contact Removal for Buss Contacts

#### Tool: CET-DL3/4/5/6



Release retention lance by inserting tip of extraction tool into cavity until it bottoms on insulator shoulder. Gently remove buss contact in direction of arrow, see illustration, to remove contact from insulator.



# Cannon ZIF Connectors *Tools and Assembly - Square / Wrap Post Contacts*

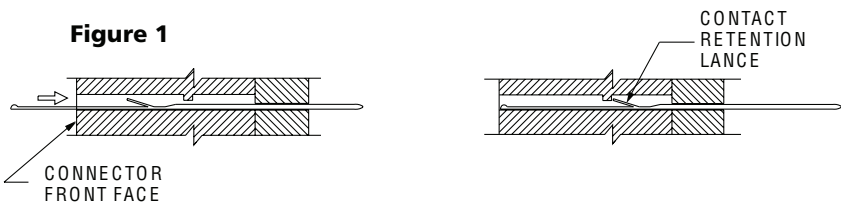
## Assembly Instructions for Square Post Contacts

### Contact Insertion:

Square Post Contacts are factory installed but can be removed and replaced if damaged in service.

Step 1. Prior to inserting contacts, actuating handle must be in the maximum open position.

Step 2. Contacts are inserted from the insulator front face by hand and are seated and clicked in the cavity by pulling on the terminal post with flat nose plier, see Figure 1.

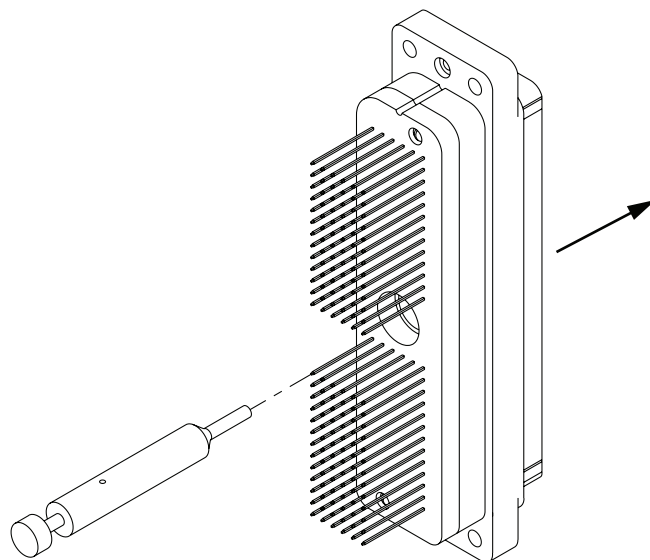
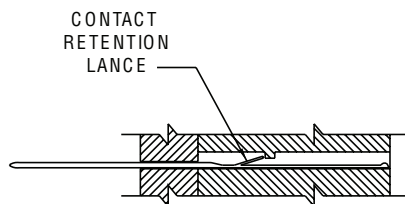


## Contact Removal for Square Post Contacts

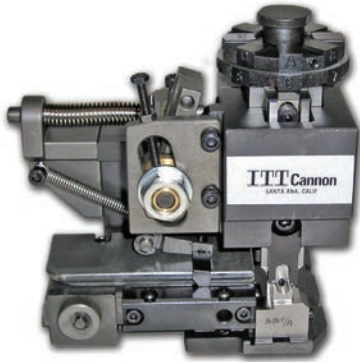
### Tool: CET-ECP and CET-ECP-1



Place tool over square post terminal and impact tool. Apply sufficient force to collapse retention lance and push contact out of insulator. This process destroys the retention lance



## Lease Automatic Tooling - North America\*



Mini Applicators are interchangeable modules that will fit into many standard crimping machines. They are available for all sizes of stamped and reeled contacts

Wire Size AWG	18-20	20-22	24-36	28-32
20 μinches Gold	110238-0402*	110238-0400	110238-0401	110238-0403
50 μinches Gold (Bump)	110238-0481*	110238-0479	110238-0480	110238-0482
50 μinches Gold (Flat)	110238-0485*	110238-0483	110238-0484	110238-0486

\* Without Insulation support

Mini Applicator	DL-T 18-20		DL-T 20-22		DL-T 24-26		DL-T 28-32		
Applicator p/n	112211-0002		112211-0003		112211-0009		112211-0010		
Wire Size	18	20	20	22	24	26	28	30	32
Strip Length Reference	4.00 (0.160)	4.00 (0.160)	3.3 (0.130)	3.3 (0.130)	3.3 (0.130)	3.3 (0.130)	3.3 (0.130)	3.3 (0.130)	3.3 (0.130)
Conductor Crimp Width - Max	1,80 (0.071)	1,80 (0.071)	1,710 (0.067)	1,710 (0.067)	1,5 (0.059)	1,5 (0.059)	1,5 (0.059)	1,5 (0.059)	1,5 (0.059)
Conductor Crimp Height +/- 0,03 (0.001)	1,52 (0.060)	1,34 (0.053)	1,25 (0.049)	1,22 (0.048)	1,04 (0.041)	0,96 (0.038)	0,84 (0.033)	0,79 (0.031)	0,74 (0.029)
Insulation crimp Height - Max	N/A	N/A	1,88 (0.074)	1,88 (0.074)	1,65 (0.065)	1,65 (0.065)	1,35 (0.053)	1,35 (0.053)	1,35 (0.053)
Tensile Pull Minimum (Newtons)	133 (30)	84 (19)	84 (19)	67 (15)	44 (10)	31 (7)	13 (3)	7 (1.5)	4 (1)

## ABT-620 UCCS



The ABT-620 Universal Cannon Crimper / Stripper is a pneumatic powered, microprocessor controlled machine. It is designed to semi-automatically strip insulation from stranded or single conductor electrical wire and attach a stamped and formed contact by crimping. The machine will accommodate 34 thru 12 AWG wire. Primary application of the machine is the termination of jacketed cable where the individual leads cannot be stripped by fully automated equipment. The ABT-620 UCCS operates automatically upon insertion of a wire or it can be switched over to a foot pedal operation as desired.

**Machined Strip / Crimp Rate:**  
1200+ per hour

**Power Requirements:**  
Electrical = 115 VAC, 60 Hz, 20A  
Pneumatic = 80 psi, 3 cu. ft per min.

\* For other geographical regions, contact Cannon for details.

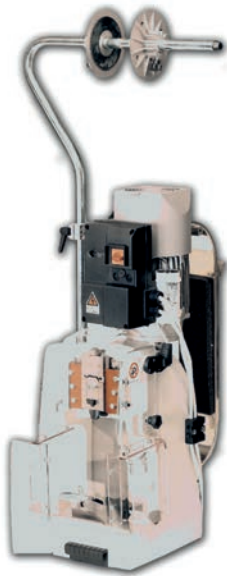
Dimensions shown in mm (inch)  
Specifications and dimensions subject to change

www.ittcannon.com



## Lease or Buy Automatic Tooling - Europe

### TT Crimping Press



The TT Crimping Press is available either in semi-automatic (for bench-top use) configuration or in full automatic (integrated into a cut and strip machine) configuration. Very compact and light, its spheroidal cast iron, one-piece structure offers the highest rigidity for a very stable crimping height value. A proprietary safety cover (grants the operator a perfect view of the crimping zone while enjoying complete protection from any hazard. The semi-automatic configuration (for bench top use) always includes safety cover, reel arm, foot switch according to the international safety standard and CE regulation. Mini-applicators are available for all sizes of stamped and reeled contacts.

**Part Number: 121586-5225**

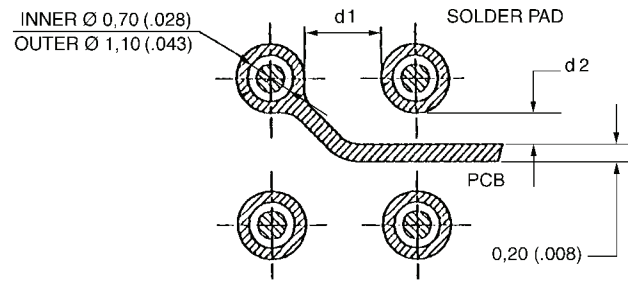
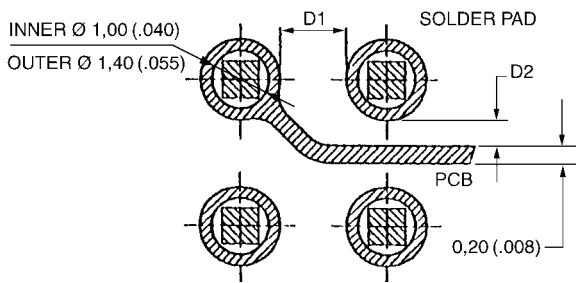
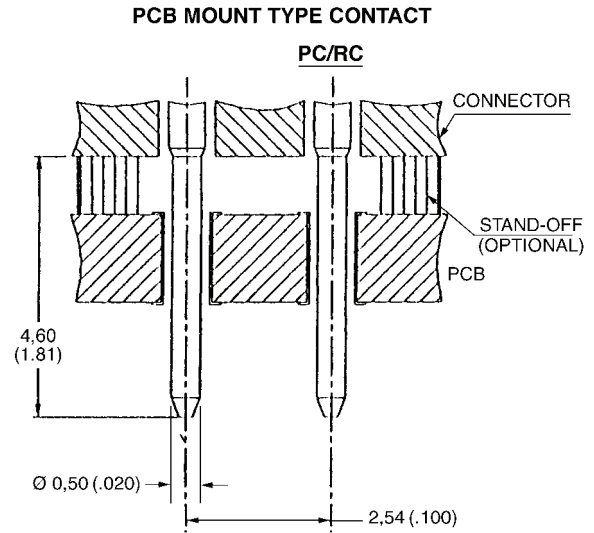
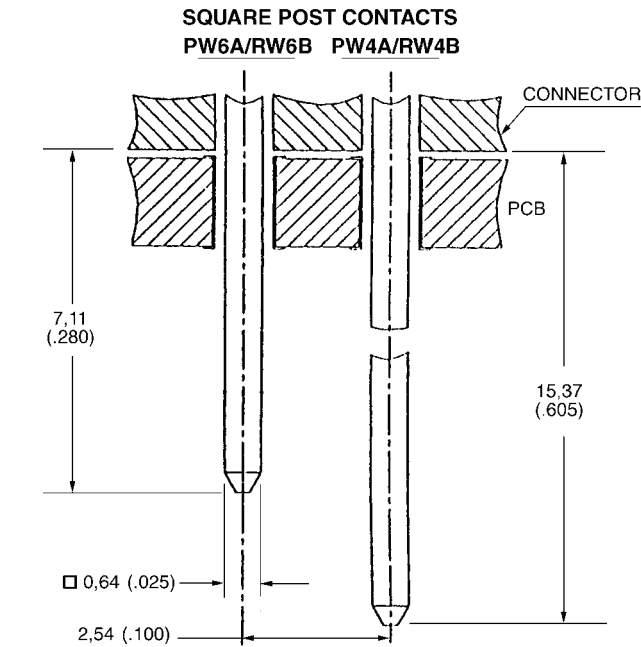
### Mini-Applicators - Europe

Wire Size AWG	18-20	20-22	24-26	28-32
20 μinches Gold		110238-0400	110238-0401	110238-0403
50 μinches Gold (Bump)	-	110238-0479	110238-0480	110238-0482
50 μinches Gold (Flat)	-	110238-0483	110238-0484	110238-0486

Mini Applicator	DL-T 18-20		DL-T 20-22		DL-T 24-26		DL-T 28-32		
Applicator p/n	-		-		-		-		
Wire Size AWG mm <sup>2</sup>	18 0,82	20 0,52	20 0,52	22 0,33	24 0,25	26 0,14	28 0,08	30 0,05	32 0,03
Strip Length Reference	4.00 (0.160)	4.00 (0.160)	3.30 (0.130)	3.30 (0.130)	3.30 (0.130)	3.30 (0.130)	3.30 (0.130)	-	-
Conductor Crimp Width - Max	1,80 (0.071)	1,80 (0.071)	1,70 (0.067)	1,700 (0.067)	1,50 (0.059)	1,50 (0.059)	1,5 (0.059)	-	-
Conductor Crimp Height +/- 0,03 (0.001)	1,45 (0.057)	1,35 (0.053)	1,22 (0.048)	1,14 (0.045)	1,07 (0.042)	1,04 (0.041)	0,90 (0.035)	-	-
Insulation Crimp Height - Max	0	0	1,88 (0.074)	1,88 (0.074)	1,65 (0.065)	1,65 (0.065)	1,65 (0.065)	-	-
Tensile Pull Minimum (Newtons)	133	84	84	53	32	18	11	-	-

Note: All applicators are compatible with TT Crimping Press, #121586-5225. We advise all our customers to hold at least one set of consumable tooling (consisting of Conductor Crimp Blade, Insulation Crimp Blade, Combination Anvil, Shear Moving and Shear Fixed). Please consult factory to order consumable tooling.

## PCB Pad Layout

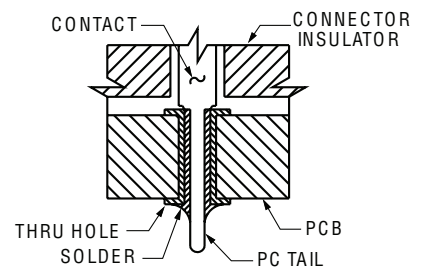


For the PC/RC Versions: The contact tail design has been modified from a 0,64 (.025) square pin to a 0,05 (.020) diameter round pin. The change enables a decrease in the diameter of the through holes as well as the solder mounds on PCB's (d1 and d2 can be wider than D1 and D2). This can reduce the crosstalk in RF circuits and enhance the dielectric withstanding voltage in high voltage circuits.

The soldering of contacts into through (THRU) holes on a PC Board has become standard for medical equipment and test equipment for semi-conductors. As a result of the narrow spacing between the solder pad and circuit pattern, cross-talk between signals increases. A solution to this problem is to make the diameter of the contacts and solder lands smaller to provide more space between the lands and the patterns.

However a smaller diameter contact results in higher impedance.

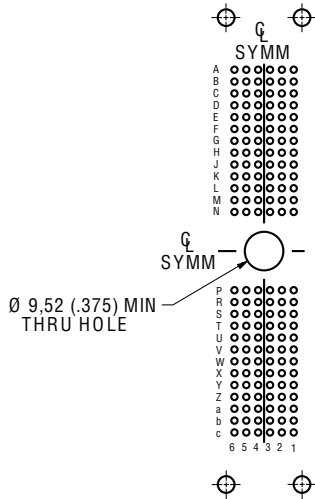
Cannon designed a solution with a smaller diameter contact tail. This design application allows the use of a smaller through-hole diameter.



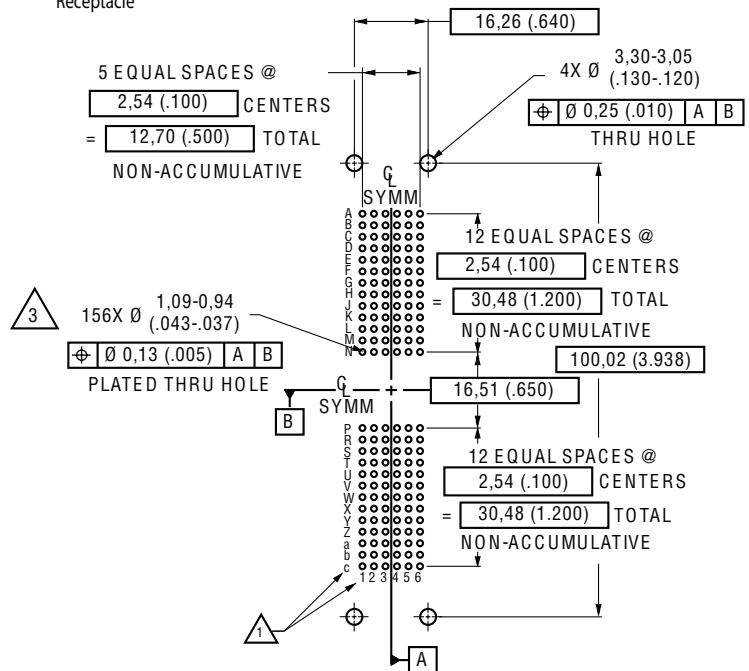
## DL1 / DLM1 / DLD1 Printed Circuit Board Hole Patterns

DL1-156/DLM1-156

Plug 

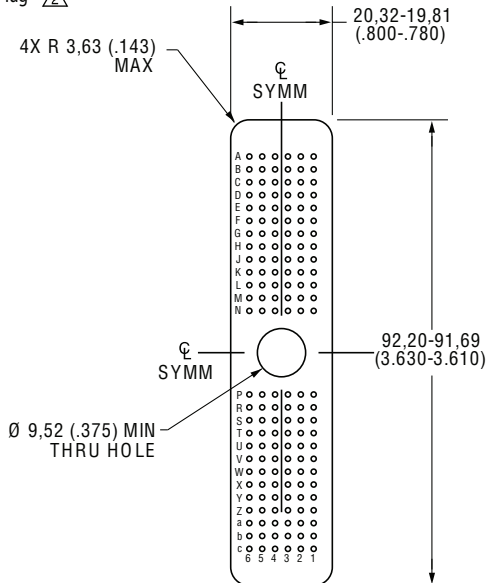


Receptacle

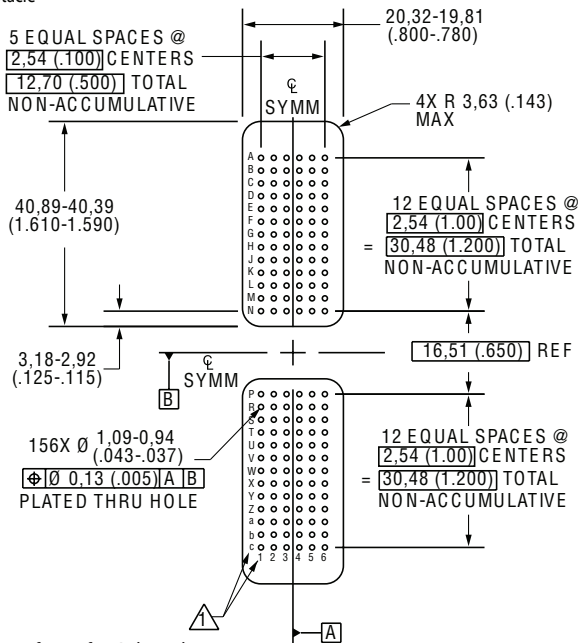


DLD1-156

Plug 



Receptacle



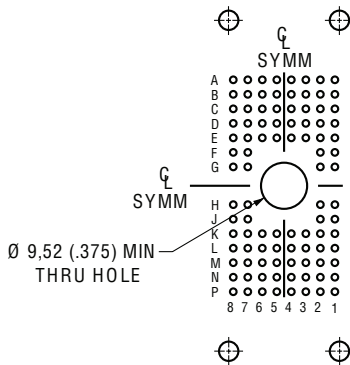
Notes:

1. Contact hold cavity identifications shown are typical as viewed from top surface of P.C. board.
2. All plug layout dimensions not shown are similar to the receptacle dimensions
3. Plated through (THRU) hole diameters shown are for 0,64 (.025) post contacts. PC/RC contact plated through (THRU) hole diameters are 0,79 - 0,64 (.031-.025). For PCB pad layout configuration see page

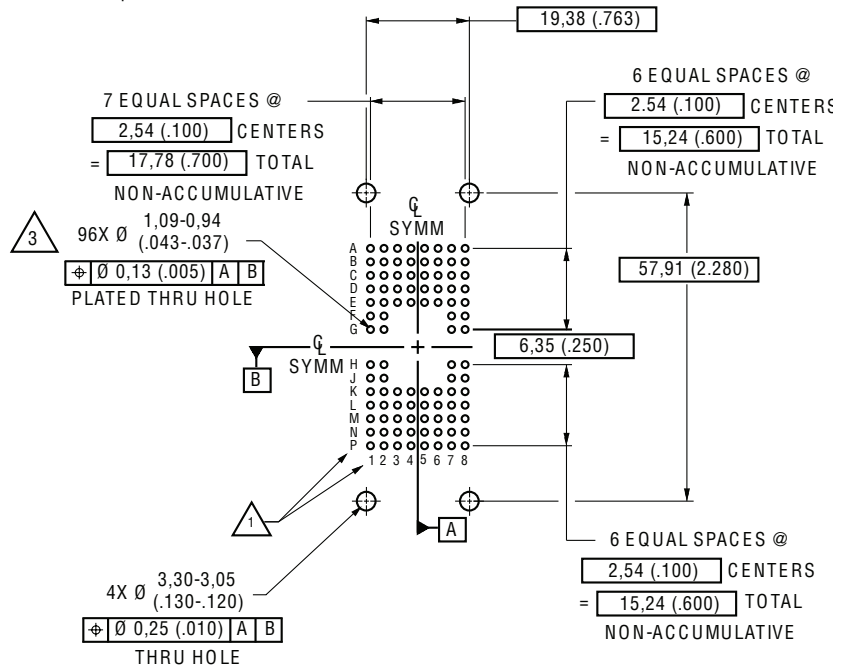
## DL2 / DLM2 / DLD2 Printed Circuit Board Hole Patterns

DL2-96/DLM2-96

Plug

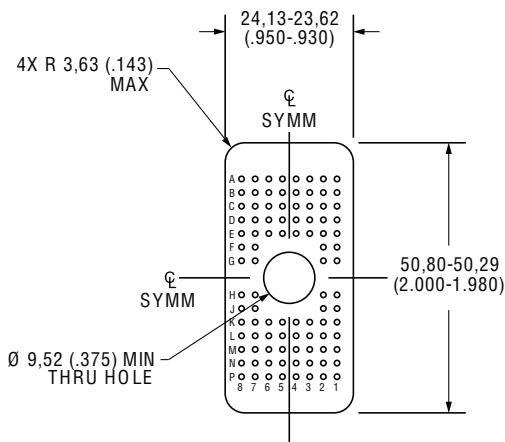


Receptacle

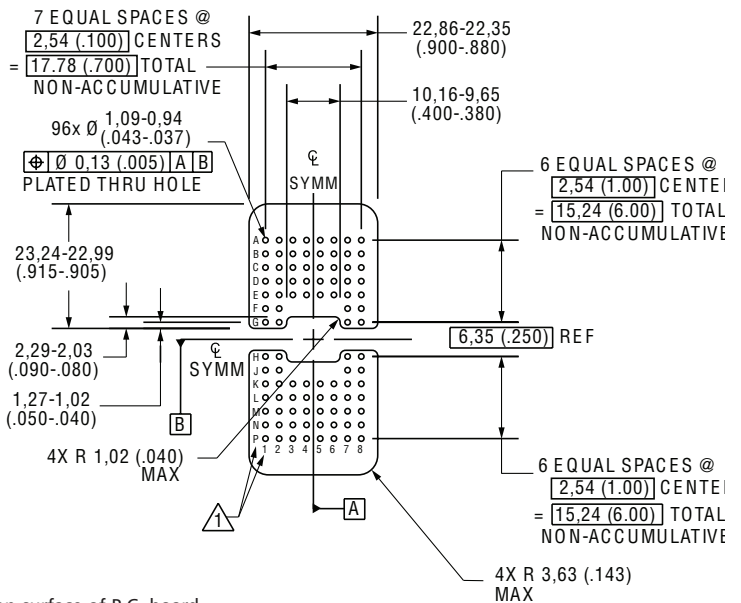


DLD2-96

Plug



Receptacle



**Notes:**

1. Contact hold cavity identifications shown are typical as viewed from top surface of P.C. board.
2. All plug layout dimensions not shown are similar to the receptacle dimensions
3. Plated through (THRU) hole diameters shown are for 0,64 (.025) post contacts. PC/RC contact plated through (THRU) hole diameters are 0,79 - 0,64 (.031-.025). For PCB pad layout configuration see page

Dimensions shown in mm (inch)  
 Specifications and dimensions subject to change

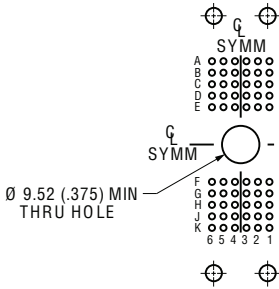
www.ittcannon.com



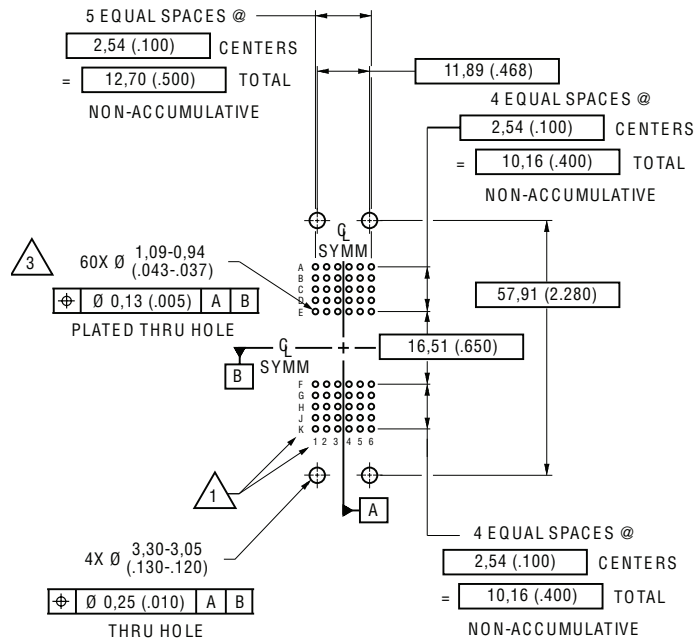
## DL3 / DLM3 / DL5 / DLM5 Printed Circuit Board Hole Patterns

DL3-60/DLM3-60

Plug 

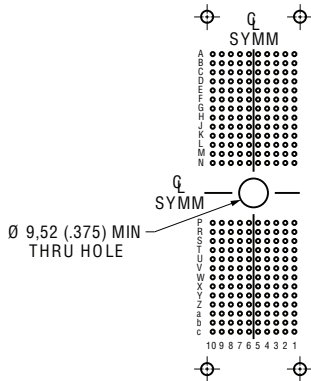


Receptacle

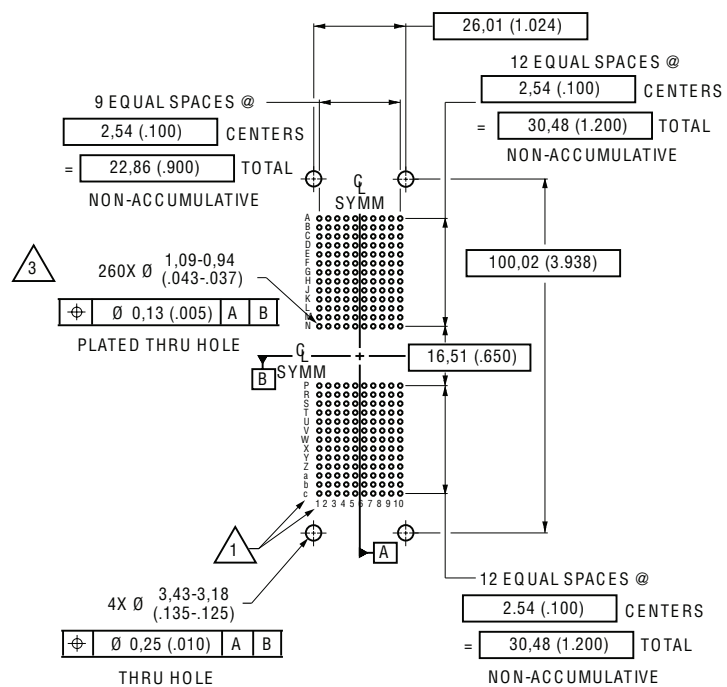


DL5-260/DLM5-260

Plug 



Receptacle



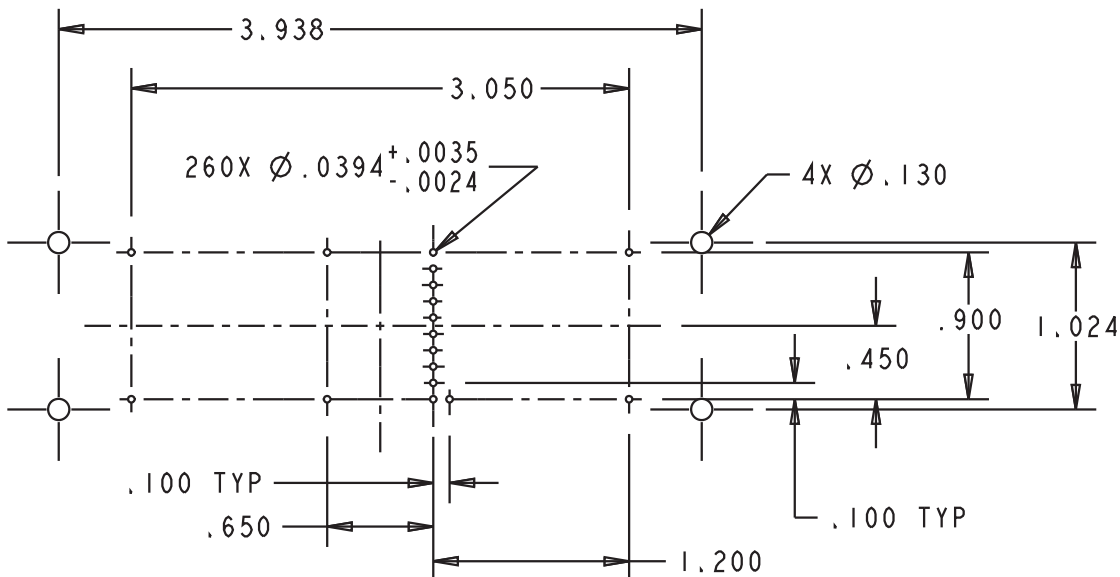
**Notes:**

- Contact hold cavity identifications shown are typical as viewed from top surface of P.C. board.
- All plug layout dimensions not shown are similar to the receptacle dimensions
- Plated through (THRU) hole diameters shown are for 0,64 (.025) post contacts. PC/RC contact plated through (THRU) hole diameters are 0,79 - 0,64 (.031-.025). For PCB pad layout configuration see page



Dimensions shown in mm (inch)  
Specifications and dimensions subject to change

## DL5 Plastic Press-Fit (Receptacle only)

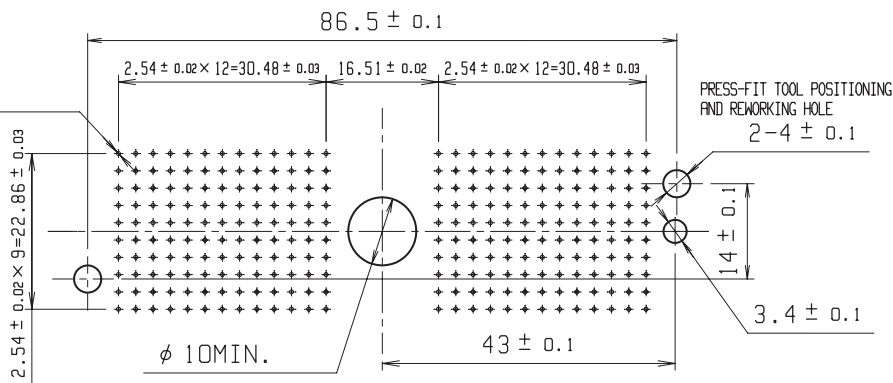


## DLM5 Press-Fit Printed Circuit Board Hole Patterns

### Plug

THROUGH HOLE SPECIFICATION 260-D T.H.

	T.H. SOLDER T.H.	T.H. COPPER T.H.
HOLE DIA. D	$\phi 0.6 \pm 0.075$	$\phi 0.6^{+0.075}_{-0.05}$
DRILL HOLE DIA.	$\phi 0.7 \pm 0.025$	$\phi 0.7 \pm 0.025$
Cu PLATING	20~50 $\mu$ m	25~65 $\mu$ m
Sn/Pb PLATING	5~15 $\mu$ m	

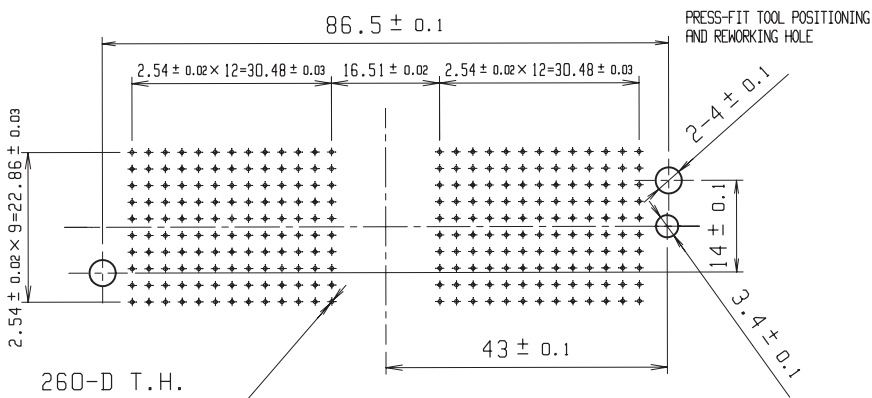


RECOMMENDED PCB THICKNESS t=1.6

### Receptacle

THROUGH HOLE SPECIFICATION

	T.H. SOLDER T.H.	T.H. COPPER T.H.
HOLE DIA. D	$\phi 0.6 \pm 0.075$	$\phi 0.6^{+0.075}_{-0.05}$
DRILL HOLE DIA.	$\phi 0.7 \pm 0.025$	$\phi 0.7 \pm 0.025$
Cu PLATING	20~50 $\mu$ m	25~65 $\mu$ m
Sn/Pb PLATING	5~15 $\mu$ m	



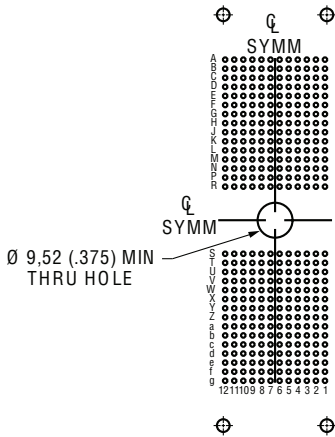
t=1.6

Dimensions shown in mm (inch)  
Specifications and dimensions subject to change

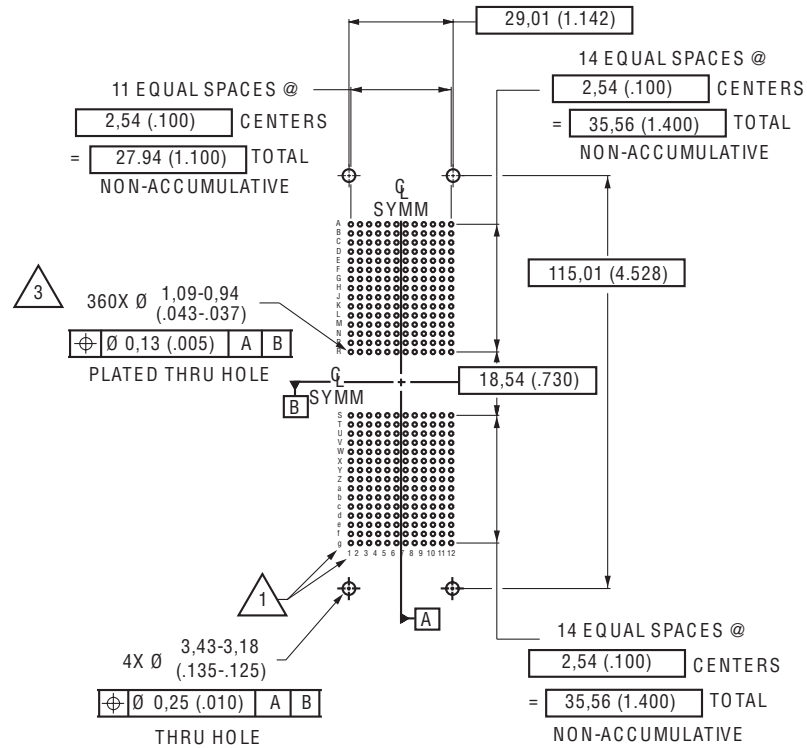
## DLM6 Printed Circuit Board Hole Patterns

DLM6-360

### Plug



### Receptacle

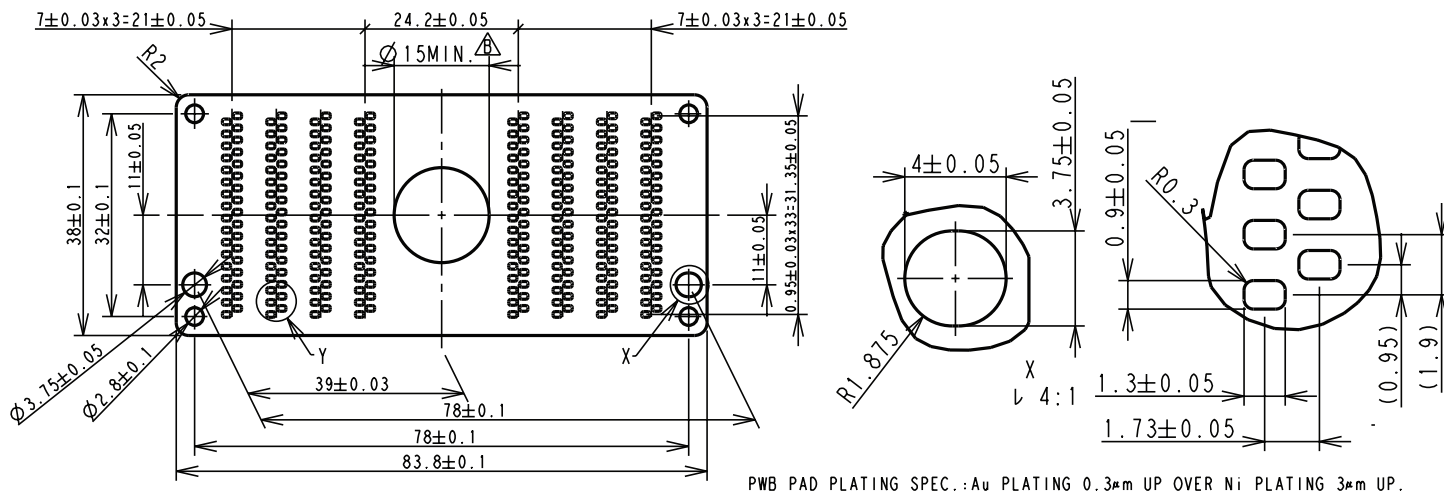


#### Notes:

1. Contact hold cavity identifications shown are typical as viewed from top surface of P.C. board.
2. All plug layout dimensions not shown are similar to the receptacle dimensions
3. Plated through (THRU) hole diameters shown are for 0,64 (.025) post contacts. PC/RC contact plated through (THRU) hole diameters are 0,79 - 0,64 (.031-.025). For PCB pad layout configuration see page

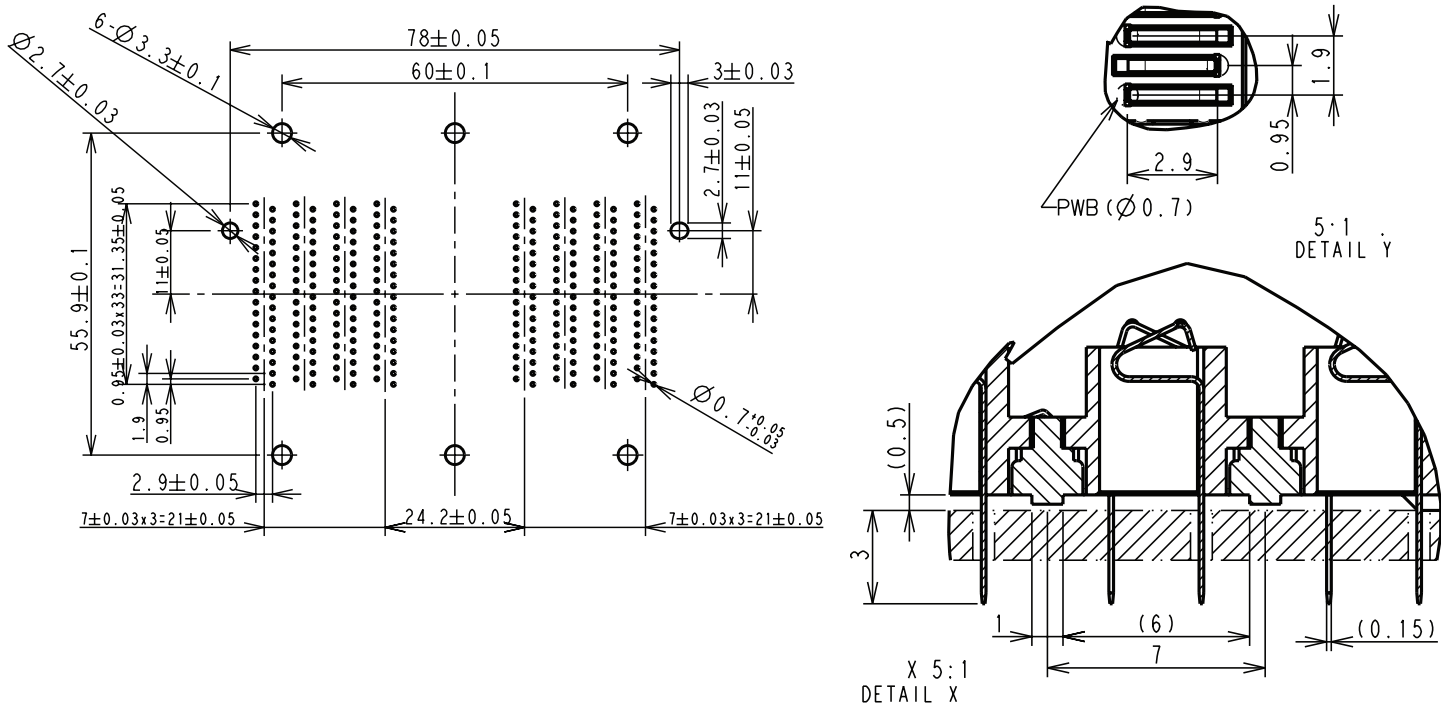
## DLP-272 Printed Circuit Board Pad Layout

### Plug



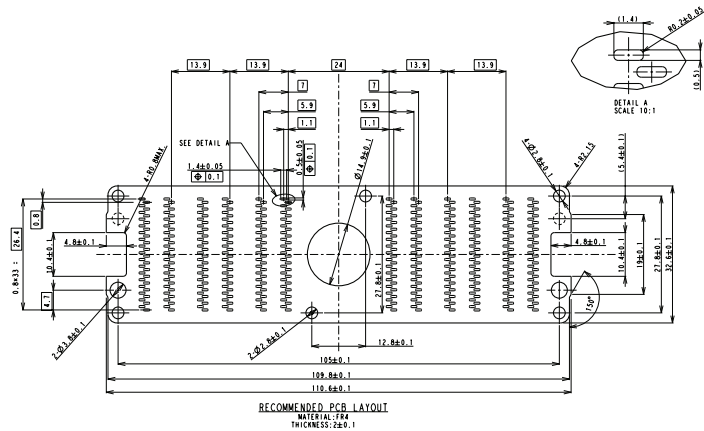
## DLP-272 Printed Circuit Board Hole Pattern

### Receptacle

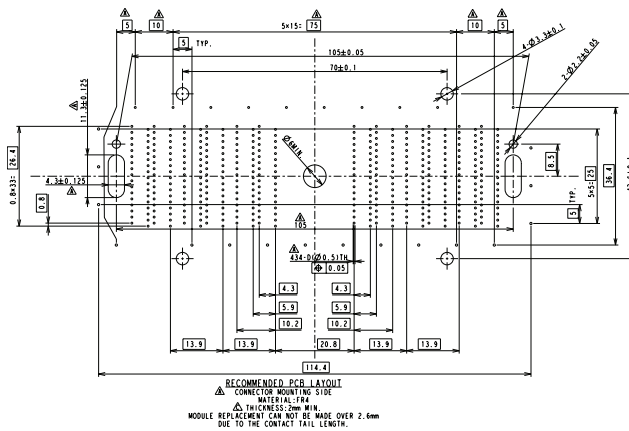


## DLP 408 Printed Circuit Board Pad Layout / Hole Patterns

### Plug



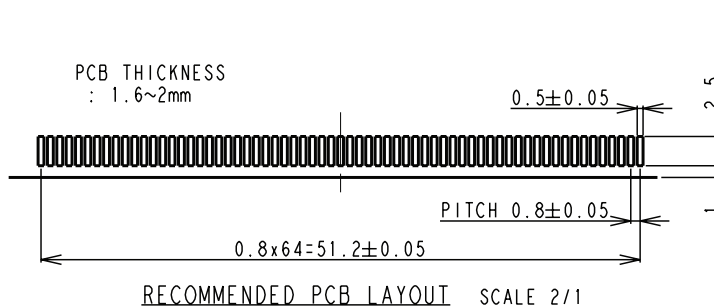
### Receptacle



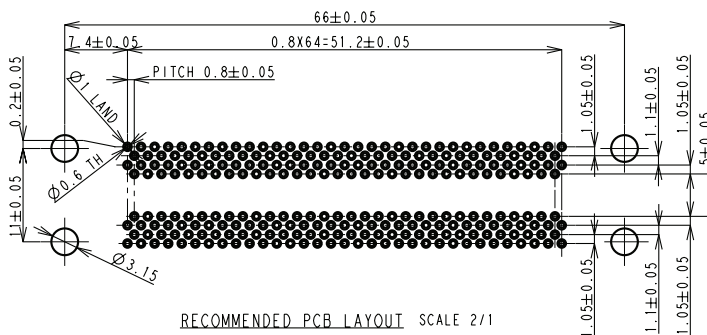
Note: PWB Pad plating Gold 5 μm up over nickel 6 μm up

## QLC Printed Circuit Board Pad Layout / Hole Patterns

### Plug

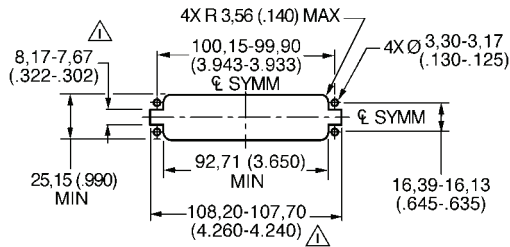


### Receptacle



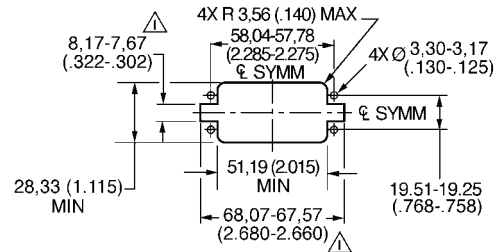
## DL / DLM panel Cutouts and Mounting Hole Patterns

DL1-156/DLMI-156



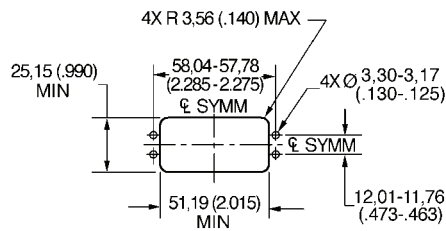
$\triangle$  Required for Center Mounting Polarization Only

DL2-96/DLM2-96

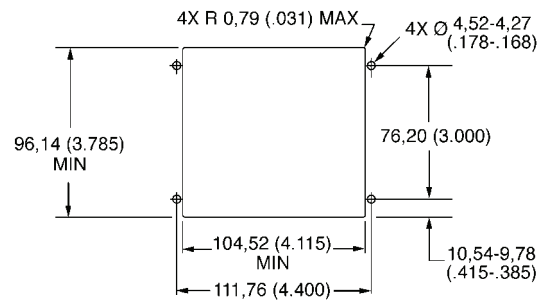


$\triangle$  Required for Center Mounting Polarization Only

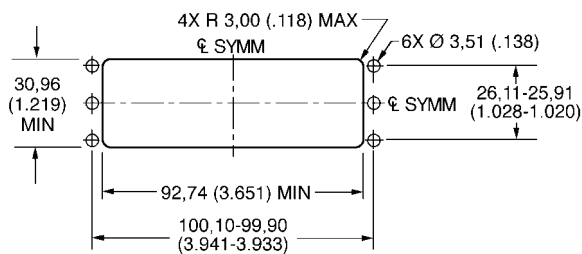
DL3-60/DLM3-60



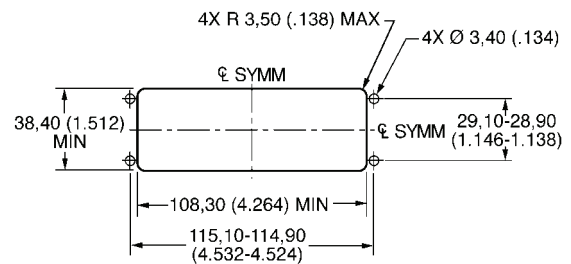
DL4-624



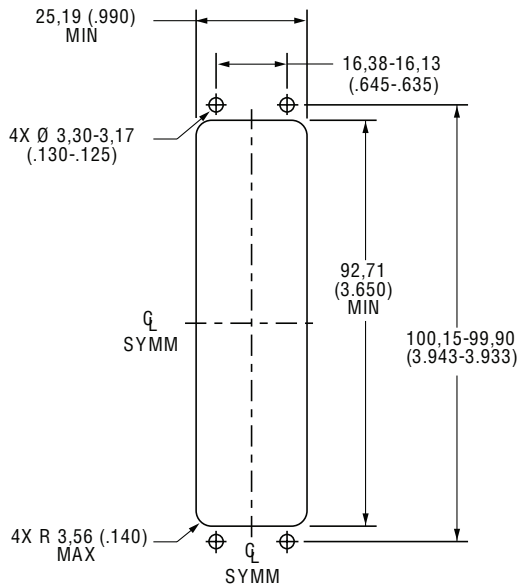
DL5-260/DLM5-260



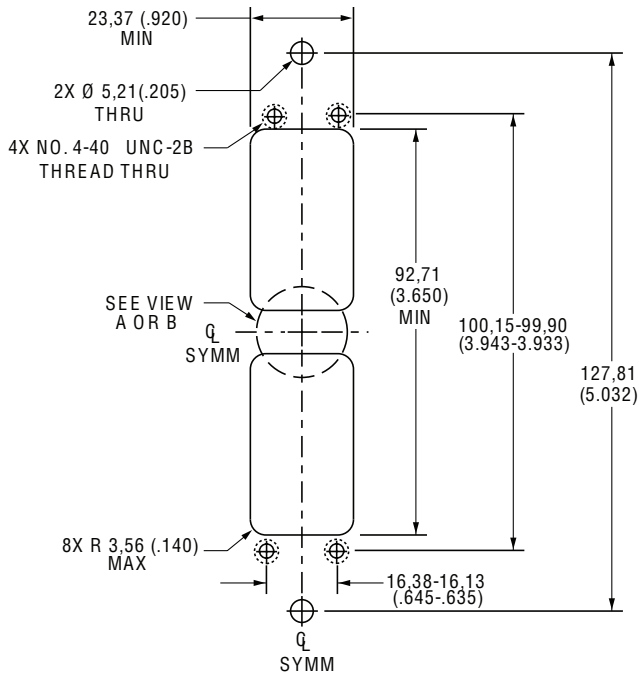
DLM6-360



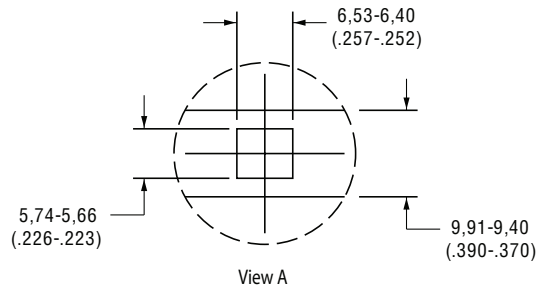
## DLD1-156 Plug



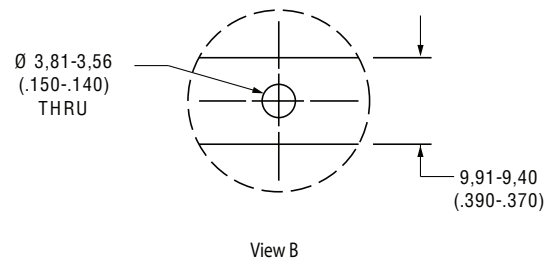
## DLD1-156 Receptacle



## Front Panel Bridge

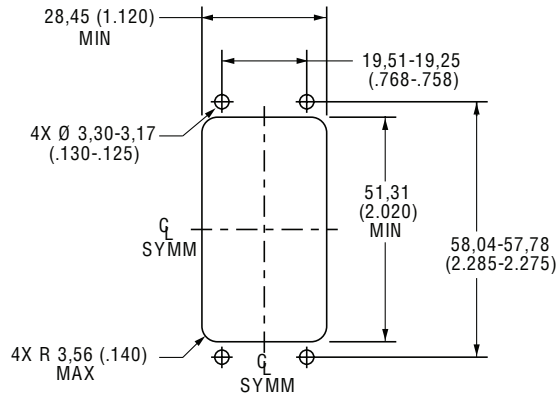


## Rear Panel Bridge

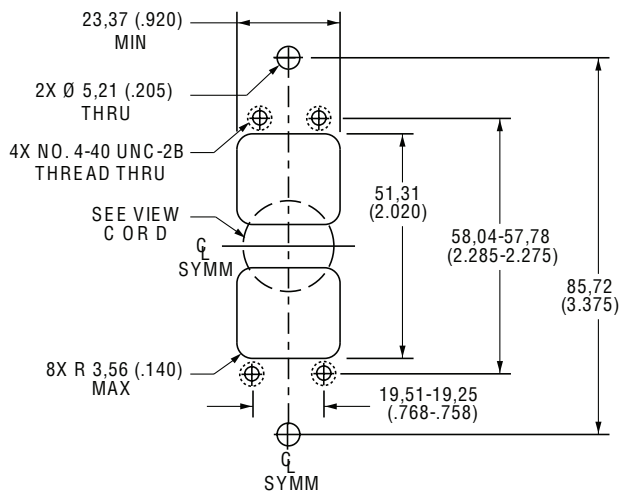


## DLD1 Panel Cutouts and Mounting Hole Patterns DLD2 Panel Cutouts and Mounting Hole Patterns

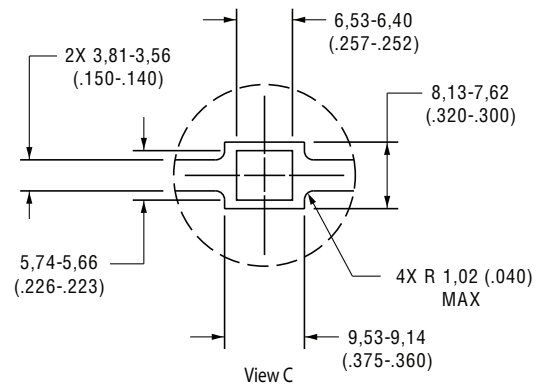
### DLD2-96 Plug



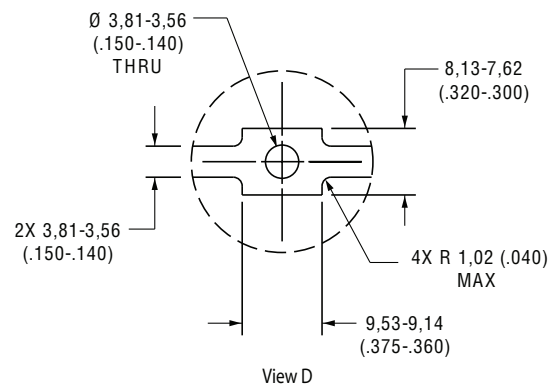
### DLD2-96 Receptacle



### Front Panel Bridge



### Rear Panel Bridge



Dimensions shown in mm (inch)  
Specifications and dimensions subject to change

www.ittcannon.com

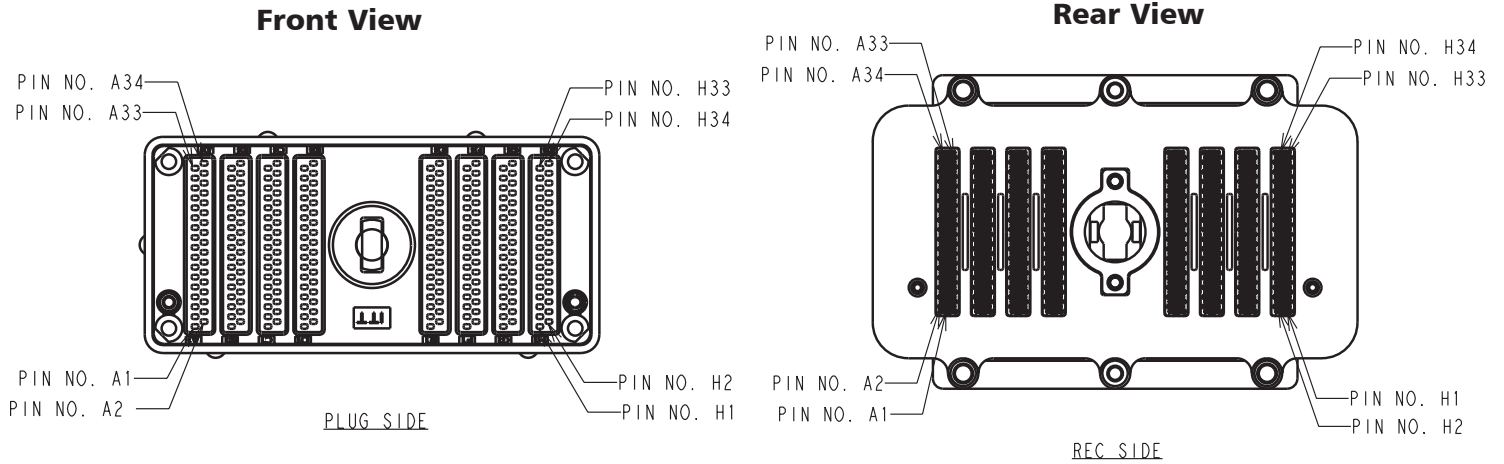


# Cannon ZIF Connectors

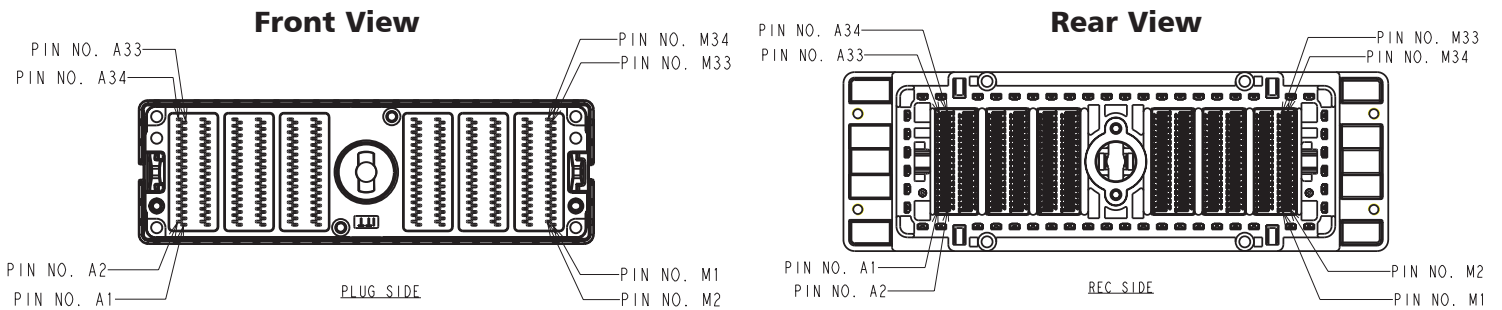
# Contact Cavity Arrangement

## Contact Cavity Arrangements

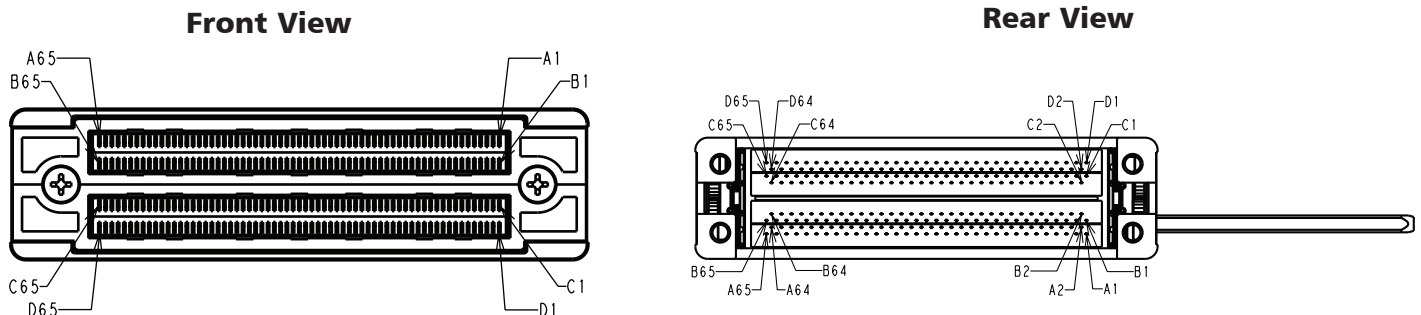
### DLP 272



### DLP 408



### QLC



## 1. MATERIAL CONTENT AND PHYSICAL FORM

Electrical connectors do not usually contain hazardous materials. They contain conducting and non-conducting materials and can be divided into two groups.

a) Printed circuit types and low cost audio types which employ all plastic insulators and casings.

b) Rugged, Fire Barrier and High Reliability types with metal casings and either natural rubber, synthetic rubber, plastic or glass insulating materials. Contact materials vary with type of connector and also application and are usually manufactured from either: Copper, copper alloys, nickel, alumel, chromel or steel. In special applications, other alloys may be specified.

## 2. FIRE CHARACTERISTICS AND ELECTRIC SHOCK HAZARD

There is no fire hazard when the connector is correctly wired and used within the specified parameters. Incorrect wiring or assembly of the connector or careless use of metal tools or conductive fluids, or transit damage to any of the component parts may cause electric shock or burns. Live circuits must not be broken by separating mated connectors as this may cause arcing, ionization and burning. Heat dissipation is greater at maximum resistance in a circuit. Hot spots may occur when resistance is raised locally by damage, e.g. cracked or deformed contacts, broken strands of wire. Local overheating may also result from the use of the incorrect application tools or from poor quality soldering or slack screw terminals. Overheating may occur if the ratings in the product Data Sheet/Catalog are exceeded and can cause breakdown of insulation and hence electric shock. If heating is allowed to continue it intensifies by further increasing the local resistance through loss of temper of spring contacts, formation of oxide film on contacts and wires and leakage currents through carbonization of insulation and tracking paths. Fire can then result in the presence of combustible materials and this may release noxious fumes. Overheating may not be visually apparent. Burns may result from touching overheated components.

## 3. HANDLING

Care must be taken to avoid damage to any component parts of electrical connectors during installation and use. Although there are normally no sharp edges, care must be taken when handling certain components to avoid injury to fingers. Electrical connectors may be damaged in transit to the customers, and damage may result in creation of hazards. Products should therefore be examined prior to installation/use and rejected if found to be damaged.

## 4. DISPOSAL

Incineration of certain materials may release noxious or even toxic fumes.

## 5. APPLICATION

Connectors with exposed contacts should not be selected for use on the current supply side of an electrical circuit, because an electric shock could result from touching exposed contacts on an unmated connector. Voltages in excess of 30 V ac or 42.5 V dc are potentially hazardous and care should be taken to ensure that such voltages cannot be transmitted in any way to exposed metal parts of the connector body. The connector and wiring should be checked, before making live, to have no damage to metal parts or insulators, no solder blobs, loose strands, conducting lubricants, swarf, or any other undesired conducting particles. Circuit resistance and continuity check should be made to make certain that there are no high resistance joints or spurious conducting paths. Always use the correct application tools as specified in the Data Sheet/Catalog. Do not permit untrained personnel to wire, assemble or tamper with connectors. For operation voltage please see appropriate national regulations.

## IMPORTANT GENERAL INFORMATION

(i) **Air and creepage paths/Operating voltage.** The admissible operating voltages depend on the individual applications and the valid national and other applicable safety regulations.

For this reason the air and creepage path data are only reference values. Observe reduction of air and creepage paths due to PC board and/or harnessing.

### (ii) Temperature

All information given are temperature limits. The operation temperature depends on the individual application.

### (iii) Other important information

Cannon continuously endeavors to improve their products. Therefore, Cannon products may deviate from the description, technical data and shape as shown in this catalog and data sheets.

ITT Interconnect Solutions, a Division of ITT Corporation manufactures the highest quality products available in the marketplace; however these products are intended to be used in accordance with the specifications in this publication. Any use or application that deviates from the stated operating specifications is not recommended and may be unsafe. No information and data contained in this publication shall be construed to create any liability on the part of Cannon. Any new issue of this publication shall automatically invalidate and supersede any and all previous issues.

## Product Warranty

A limited warranty applies to Cannon products. In general, except for obligations assumed by Cannon under this warranty, Cannon shall not be liable for any loss, damage, cost of repairs, incidental or consequential damages of any kind, whether or not based on express or implied warranty, contract, negligence or strict liability arising in connection with the design, manufacture, sale, use or repair of the products. Product availability, prices and delivery dates are exclusively subject to our respective order confirmation form; the same applies to orders based on development samples delivered. Please refer to [www.ittcannon.com](http://www.ittcannon.com) (General Terms of Sale) for the complete text of Cannon's applicable Terms and Conditions, including Warranty.

This publication is not to be construed as an offer. It is intended merely as an invitation to make an offer. By this publication, Cannon does not assume responsibility or any liability for any patent infringements or other rights of third parties which may result from its use.

Reprinting this publication is generally permitted, indicating the source. However, Cannon's prior consent must be obtained in all cases. "Engineered for life" is a registered trademark of ITT Corporation ©2015. All other trademarks or registered trademarks are property of their respective owners. All dates subject to change without notice.

*Commodities in this catalog may be controlled for export by the International Traffic in Arms Regulations (ITAR) and Export Administration Regulations (EAR) when specifically designed modified, or configured for articles controlled by the United States Government.*







Connect with your ITT Cannon representative today  
or visit us at [www.ittcannon.com](http://www.ittcannon.com)

## Connect with the experts.

From rocket launchers and communication satellites, to commercial avionics and industrial applications, we connect data, power and signal with those who need it most.



### Why ITT

ITT is a focused multi-industrial company that designs and manufactures highly engineered critical components and customized technology solutions. ITT's Cannon brand is a leading global manufacturer of connector products serving international customers in aerospace, defense, medical, industrial and transportation end markets. ITT's Connector business, which also includes the Veam and BIW Connector Systems brand, manufactures and supplies a variety of connectors and interconnects that make it possible to transfer data, signal and power in an increasingly connected world.

Connect with your ITT Cannon representative today or visit us at [www.ittcannon.com](http://www.ittcannon.com)

Follow us 

**CHINA—Shenzhen City**  
+86.755.2726.7888

**GERMANY—Weinstadt**  
+49.7151.699.0

**ITALY—Lainate**  
+39.02938721

**MEXICO—Nogales**  
+52.631.311005

**UK—Basingstoke**  
+44.1256.347400

**FRANCE**  
+33.1.60.04.93.93

**HONG KONG**  
+852.2732.2720

**JAPAN—Kanagawa**  
+81.462.57.2010

**SINGAPORE**  
+65 66974205

**USA—Irvine, CA**  
+1.800.854.3028

## Looking for pricing, stock, or lifecycle information?

Click below to explore more details on WIN SOURCE:

 [View DL1-156R on WIN SOURCE](#)

 [ITT Cannon, LLC Information](#)

## Optimize Your Supply Chain with WIN SOURCE Solutions

-  Global Sourcing Solution
-  Obsolete Management
-  Cost Control Management
-  Shortage Management
-  Alternative Solution
-  Excess Inventory Management